



US00D983063S

(12) **United States Design Patent**
He et al.

(10) **Patent No.: US D983,063 S**
(45) **Date of Patent: ** Apr. 11, 2023**

(54) **QUICK RELEASE KEYPCHAIN WITH WHISTLE DEVICE**

(71) Applicant: **Security Equipment Corporation, Inc.**, Fenton, MO (US)

(72) Inventors: **Gaogan He**, Shenzhen (CN);
Wanchuan Zhang, Shenzhen (CN);
Tony Sprouse, Caseyville, IL (US)

(73) Assignee: **Security Equipment Corporation, Inc.**, Fenton, MO (US)

(**) Term: **15 Years**

(21) Appl. No.: **29/750,781**

(22) Filed: **Sep. 16, 2020**

(51) **LOC (14) Cl.** **10-06**

(52) **U.S. Cl.**
USPC **D10/119.3**

(58) **Field of Classification Search**
USPC D10/104.2, 106.1, 116.1, 118,
D10/119.1–119.4, 120–121; D21/405;
D26/51, 113
CPC G10K 5/00
See application file for complete search history.

(56) **References Cited**

U.S. PATENT DOCUMENTS

452,706 A *	5/1891	Hoops	G10K 5/00
				426/104
D291,421 S *	8/1987	Lance	D10/119.3
4,709,651 A *	12/1987	Lance	G10K 5/00
				116/141
D409,939 S *	5/1999	Sharp	D10/119.3
6,109,202 A *	8/2000	Topman	G10K 5/00
				446/204
6,698,377 B1 *	3/2004	Topman	A01K 15/02
				446/204

(Continued)

FOREIGN PATENT DOCUMENTS

CN 200630051067 * 2/2007
CN 201730254927 * 12/2017

(Continued)

OTHER PUBLICATIONS

Pom Pepper Spray Quick Release, published on (Jul. 25, 2018) on amazon.com, retrieved from internet (Nov. 7, 2022). <URL: https://www.amazon.com/POM-Black-Pepper-Spray-Keychain/dp/B07MR3M6S4/ref=sr_1_2> (Year: 2018).*

(Continued)

Primary Examiner — Joseph Kukella

Assistant Examiner — Heather Ann Laaveg Wencil

(74) *Attorney, Agent, or Firm* — Spencer Fane LLP

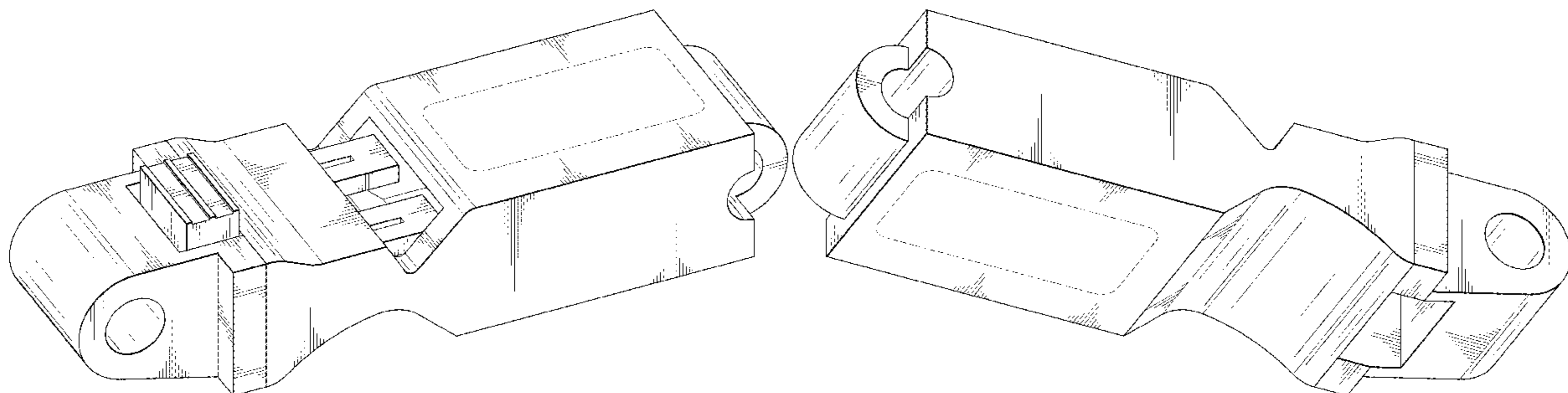
(57) **CLAIM**

The ornamental design for a quick release keychain with a whistle device, as shown and described.

DESCRIPTION

FIG. 1 is a perspective view of the device.
FIG. 2 is a view in side elevation taken from a first end of the device.
FIG. 3 is a view in side elevation taken from a second end of the device.
FIG. 4 is a view in side elevation taken from a first side of the device.
FIG. 5 is a view in side elevation taken from a second side of the device.
FIG. 6 is a plan view taken from the top of the device.
FIG. 7 is a plan view taken from the bottom of the device; and,
FIG. 8 is a perspective view of the device.
The broken lines in the drawings depict unclaimed portions of a quick release keychain with whistle device that form no part of the claimed design.

1 Claim, 6 Drawing Sheets



(56)

References Cited

U.S. PATENT DOCUMENTS

7,287,873 B2 * 10/2007 Galli F21V 31/04
362/208
D764,336 S * 8/2016 Nguyen D10/119.3
D825,578 S * 8/2018 Chiu A01K 15/02
D14/480.5
D957,353 S * 7/2022 Zhang F21V 31/04
D13/199
2009/0178607 A1 * 7/2009 Wu G10K 5/00
116/137 R
2009/0199446 A1 * 8/2009 Dicke E01F 9/688
40/607.1
2015/0279344 A1 * 10/2015 Nguyen G10K 5/00
446/204

FOREIGN PATENT DOCUMENTS

CN 201730515859 * 7/2018
CN 202030391074.9 * 11/2020
EM 008464002-0001 * 9/2020

OTHER PUBLICATIONS

Sabre Detachable Safety Whistle, published on (Aug. 12, 2021) on amazon.com, retrieved from internet (Nov. 7, 2022). <URL: https://www.amazon.com/SABRE-Release-Whistle-Keychain-Ergonomic/dp/B09CJZFYX1/ref=sr_1_1> (Year: 2021).*

* cited by examiner

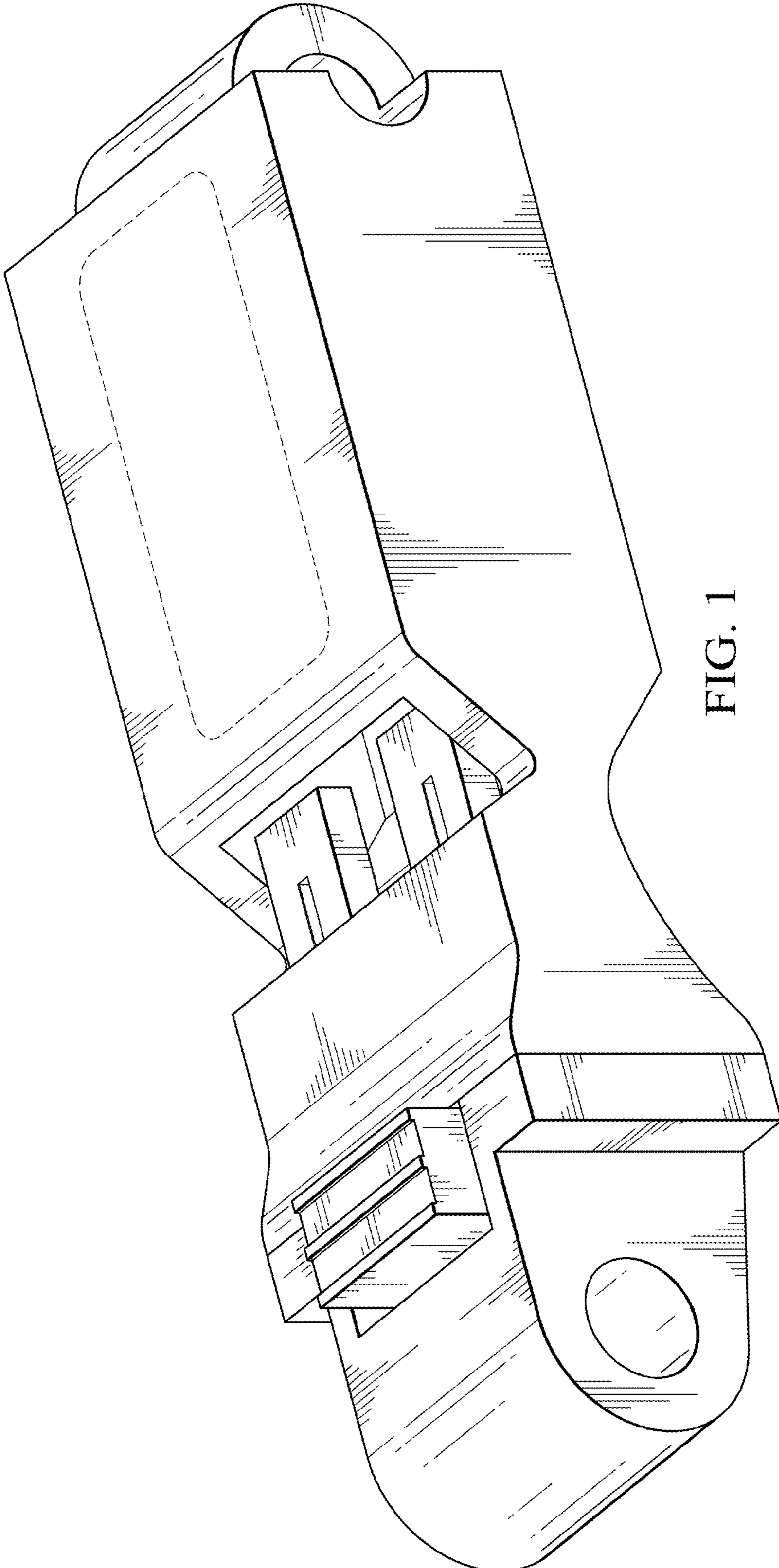


FIG. 1

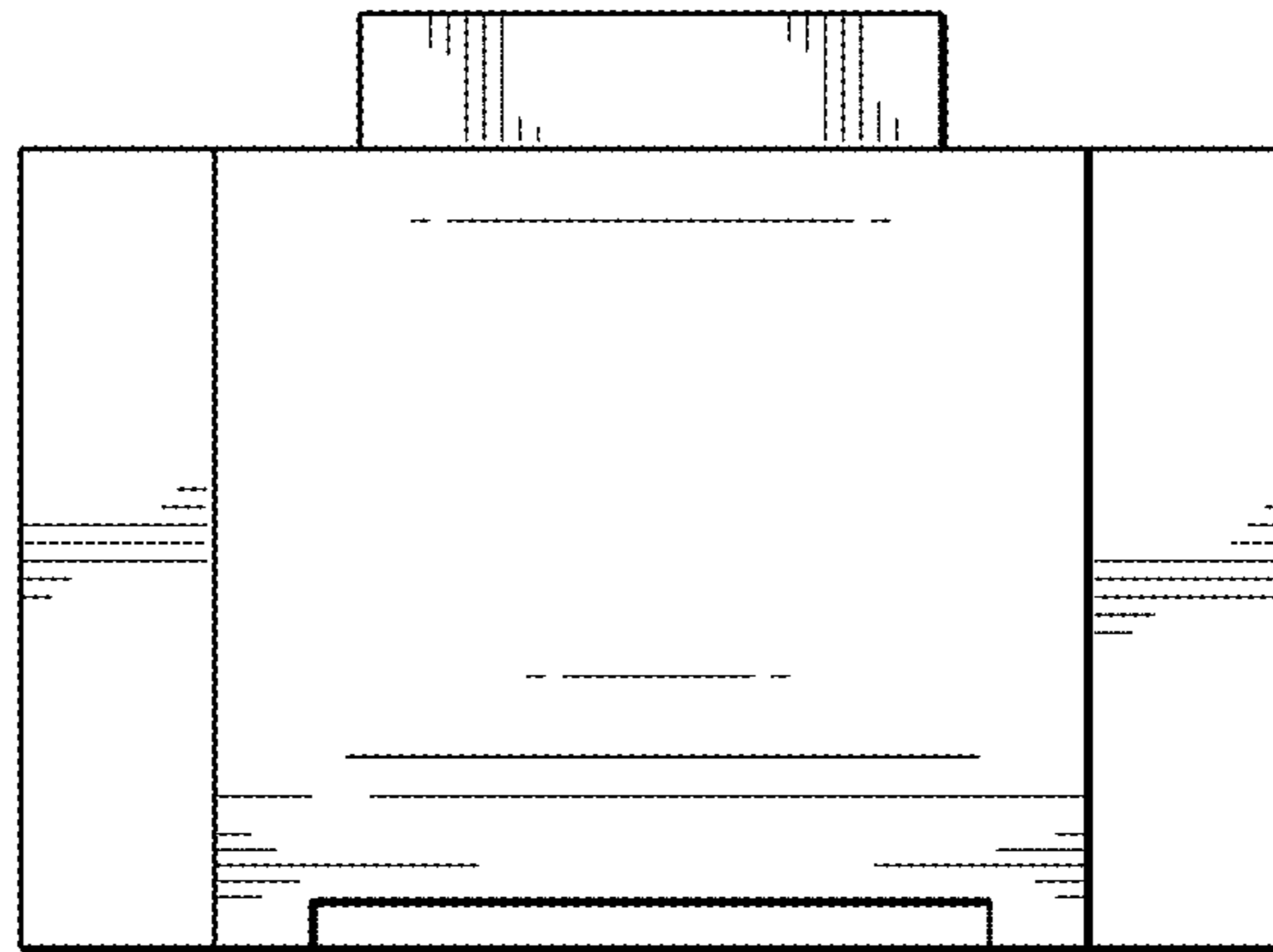


FIG. 2

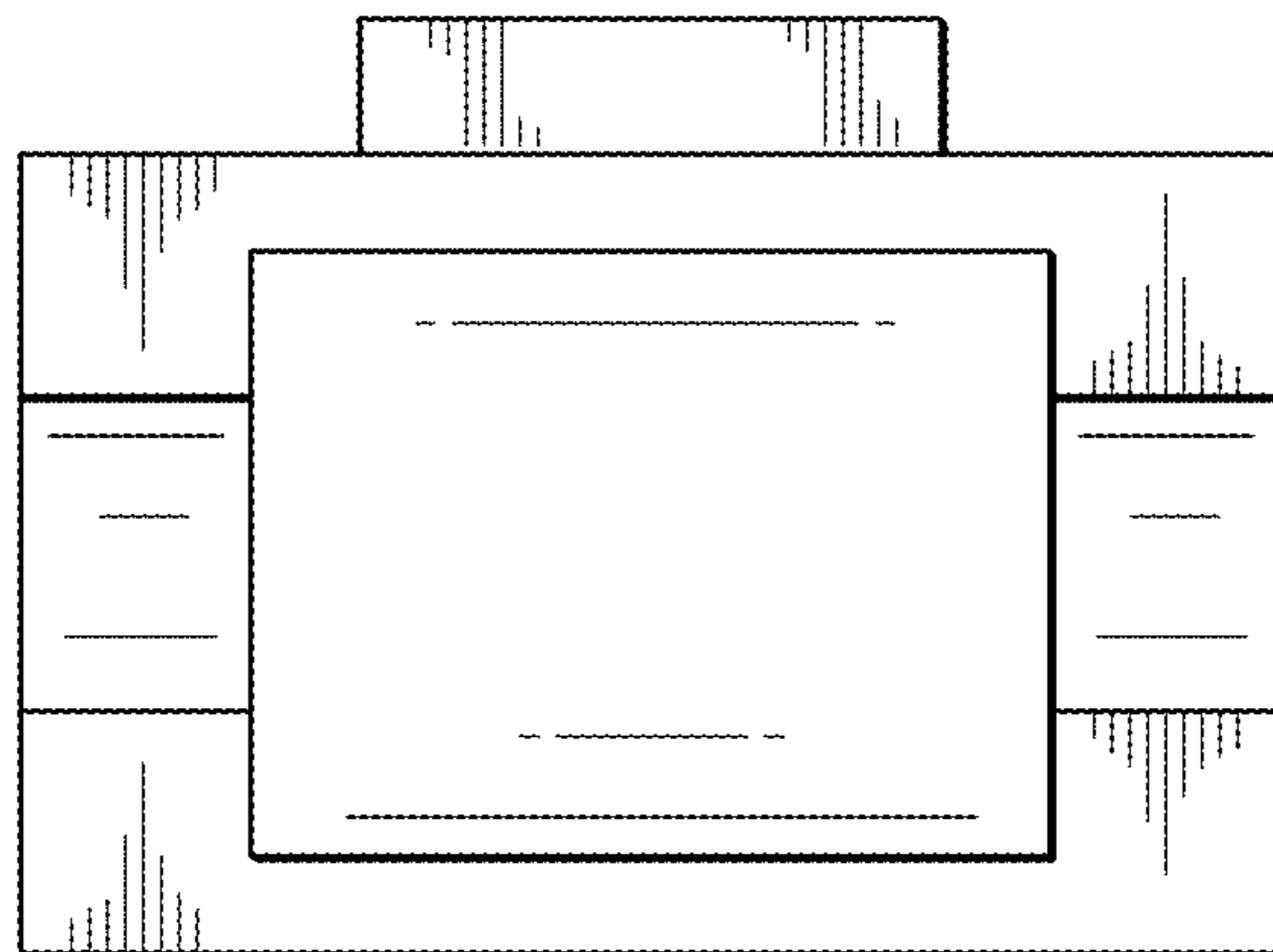


FIG. 3

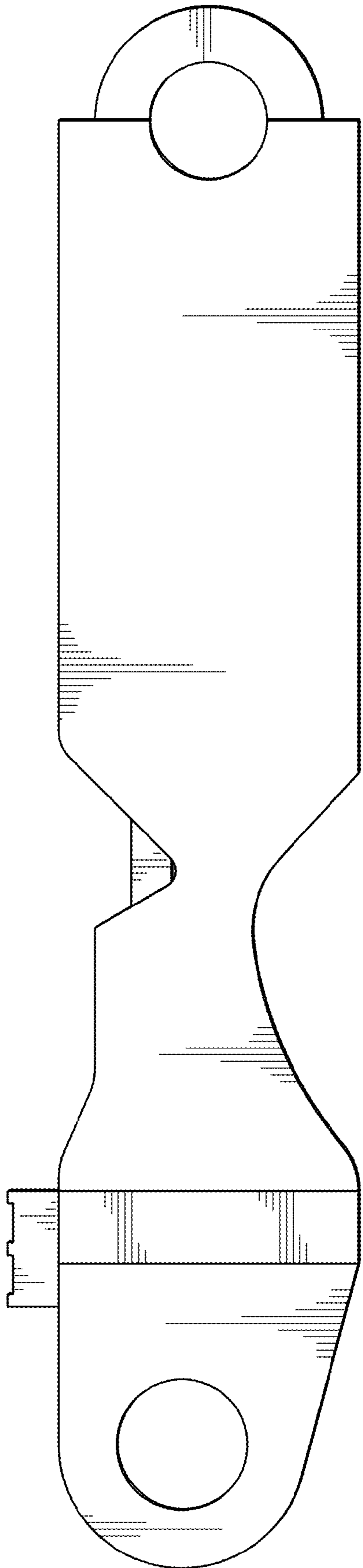


FIG. 4

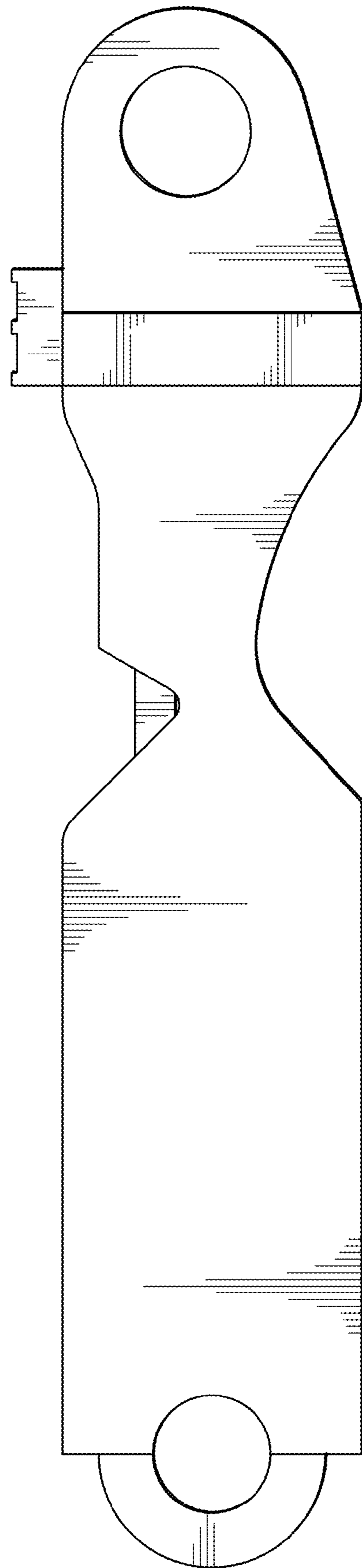


FIG. 5

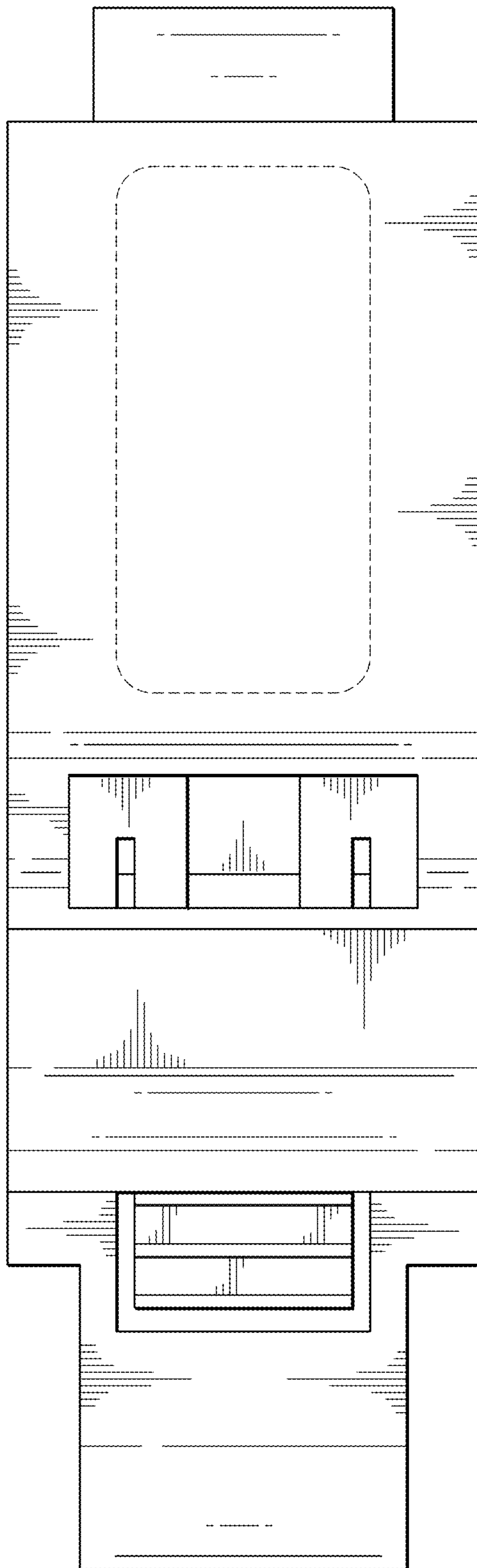


FIG. 6

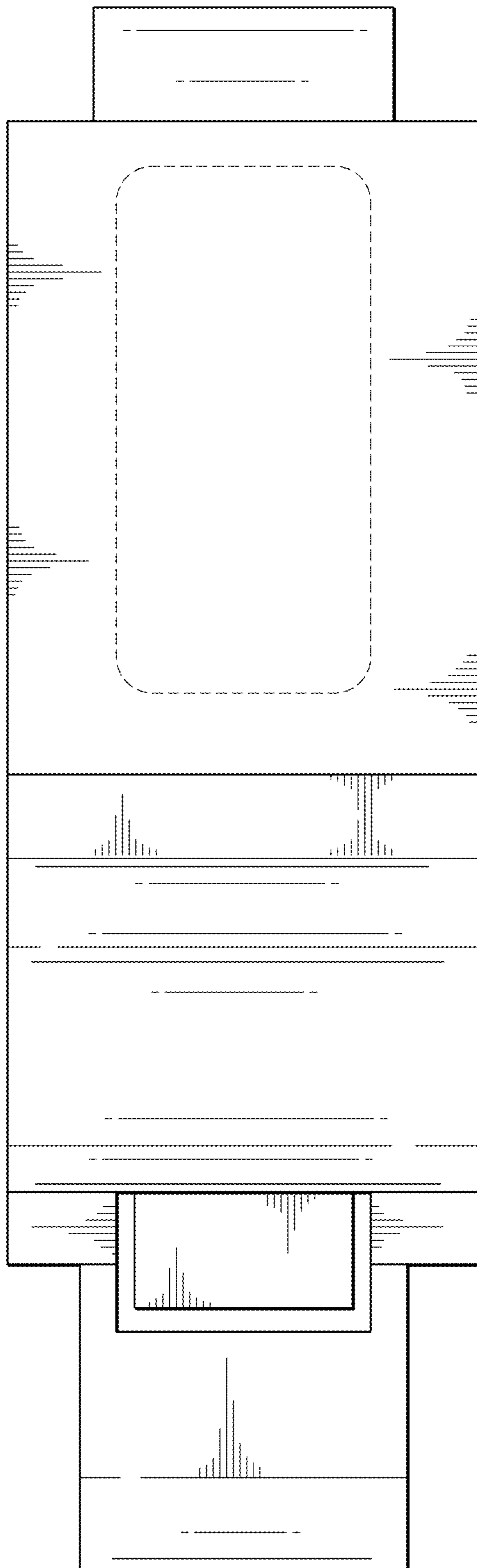


FIG. 7

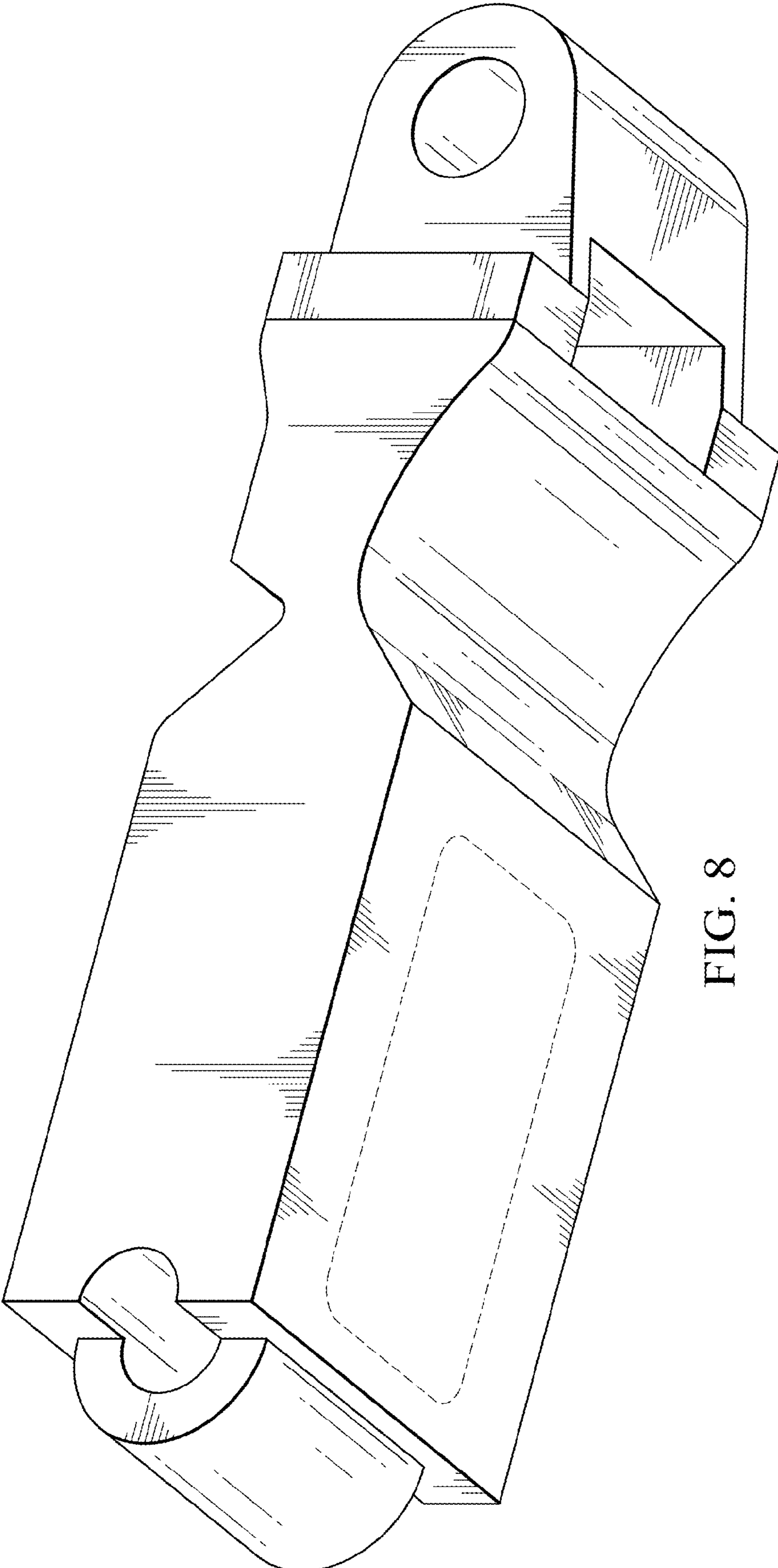


FIG. 8