



US00D983062S

(12) **United States Design Patent**  
**Pan**

(10) **Patent No.:** **US D983,062 S**

(45) **Date of Patent:** **\*\* Apr. 11, 2023**

(54) **SMART ALARM**

(71) Applicant: **Shenzhen Evview GPS Technology,**  
Guangdong (CN)

(72) Inventor: **Longhou Pan,** Guangdong (CN)

(\*\*) Term: **15 Years**

(21) Appl. No.: **29/697,145**

(22) Filed: **Jul. 4, 2019**

(30) **Foreign Application Priority Data**

May 20, 2019 (CN) ..... 201930244619.0

(51) **LOC (14) Cl.** ..... **10-05**

(52) **U.S. Cl.**  
USPC ..... **D10/106.1**

(58) **Field of Classification Search**  
USPC ..... D10/106.1-106.95, 116.1, 118, 118.2,  
D10/120; D14/356, 357, 358  
CPC ..... G08B 21/02; G08B 21/0202; G08B  
21/0205; G10K 7/00; G10K 7/005; G10K  
7/02; G10K 7/04; G10K 7/06; G10K  
9/00; G10K 9/12; G10K 9/121; G10K  
9/122; G10K 9/125; G10K 9/128; G10K  
9/13

See application file for complete search history.

(56) **References Cited**

**U.S. PATENT DOCUMENTS**

D431,486 S \* 10/2000 Iseli ..... D10/106.1  
D435,472 S \* 12/2000 Dixon ..... D10/106.1  
D483,683 S \* 12/2003 Brown ..... D10/106.1  
D494,489 S \* 8/2004 Tulloch ..... D13/168  
D520,446 S \* 5/2006 Liu ..... D13/108  
D521,927 S \* 5/2006 Franck ..... D13/108  
D524,282 S \* 7/2006 Beasley ..... D13/108  
D593,882 S \* 6/2009 Scalisi ..... D10/65

D619,912 S \* 7/2010 Scalisi ..... D10/65  
D712,381 S \* 9/2014 Hwang ..... D14/218  
D786,110 S \* 5/2017 Kucala ..... D10/106.1  
D786,111 S \* 5/2017 Peterson ..... D10/106.1  
D876,442 S \* 2/2020 McCracken ..... G06F 1/1632  
D14/434  
D896,115 S \* 9/2020 Brainard ..... D10/106.2  
D897,282 S \* 9/2020 Ye ..... D13/107  
D916,656 S \* 4/2021 Choe ..... D27/183  
D936,580 S \* 11/2021 Li ..... G06F 1/1632  
D13/108  
D956,595 S \* 7/2022 Yang ..... D10/106.1  
D958,736 S \* 7/2022 Van Roosmalen ..... D13/108  
D970,437 S \* 11/2022 Lu ..... D13/107

\* cited by examiner

*Primary Examiner* — Joseph Kukella

(74) *Attorney, Agent, or Firm* — Prakash Nama; Global  
IP Services, PLLC

(57) **CLAIM**

The ornamental design for a smart alarm, as shown and  
described.

**DESCRIPTION**

FIG. 1 is a rear elevational view of a smart alarm showing  
my new design;

FIG. 2 is a perspective view thereof;

FIG. 3 is another perspective view thereof;

FIG. 4 is a front elevational view in an exploded state;

FIG. 5 is a rear elevational view in an exploded state;

FIG. 6 is a left side view in an exploded state;

FIG. 7 is a right side view in an exploded state;

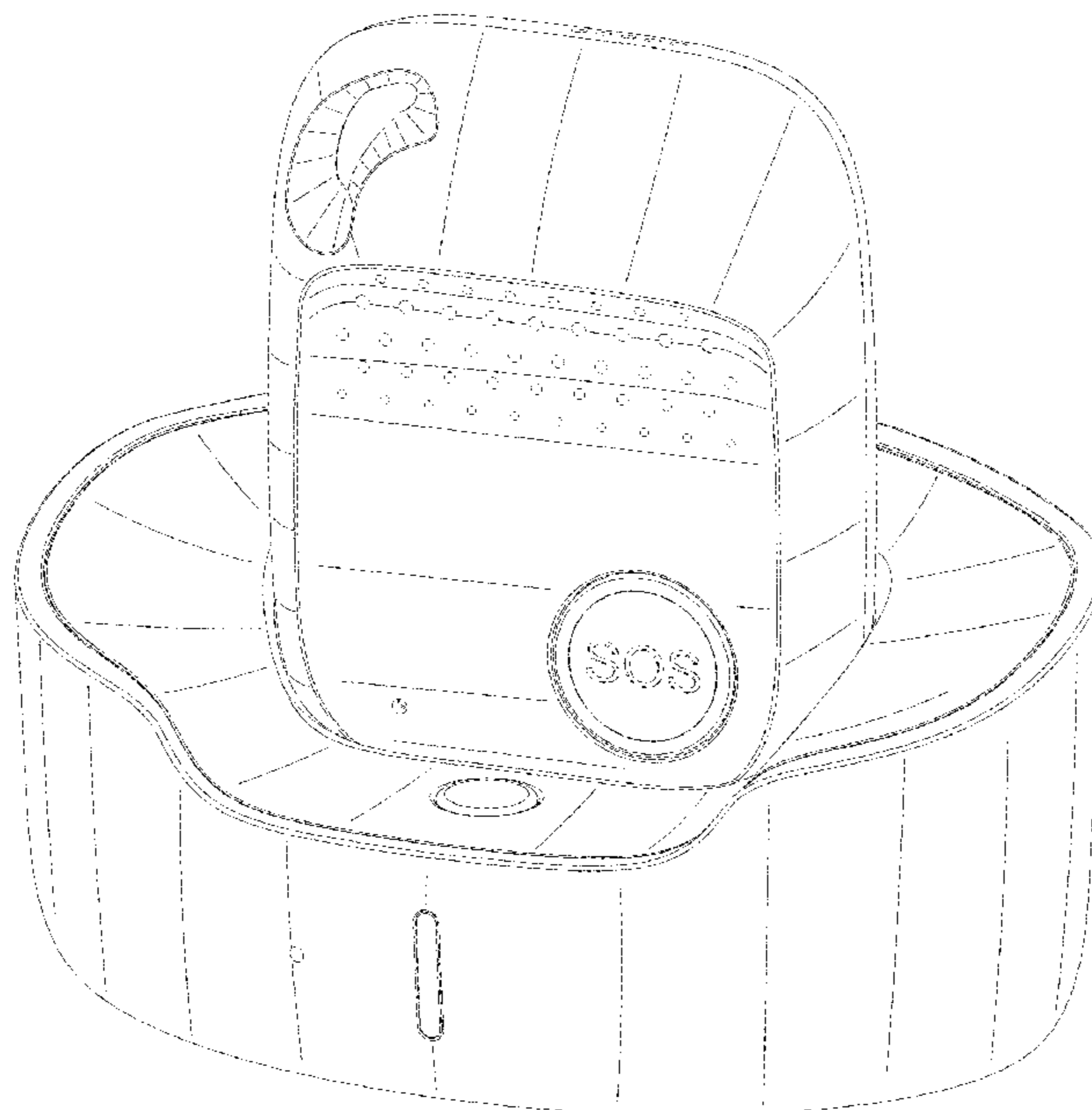
FIG. 8 is a top plan view in an exploded state;

FIG. 9 is a bottom plan view in an exploded state; and,

FIG. 10 is a perspective view in an exploded state.

In the drawings, the broken lines depict portions of the smart  
alarm that form no part of the claimed design.

**1 Claim, 10 Drawing Sheets**



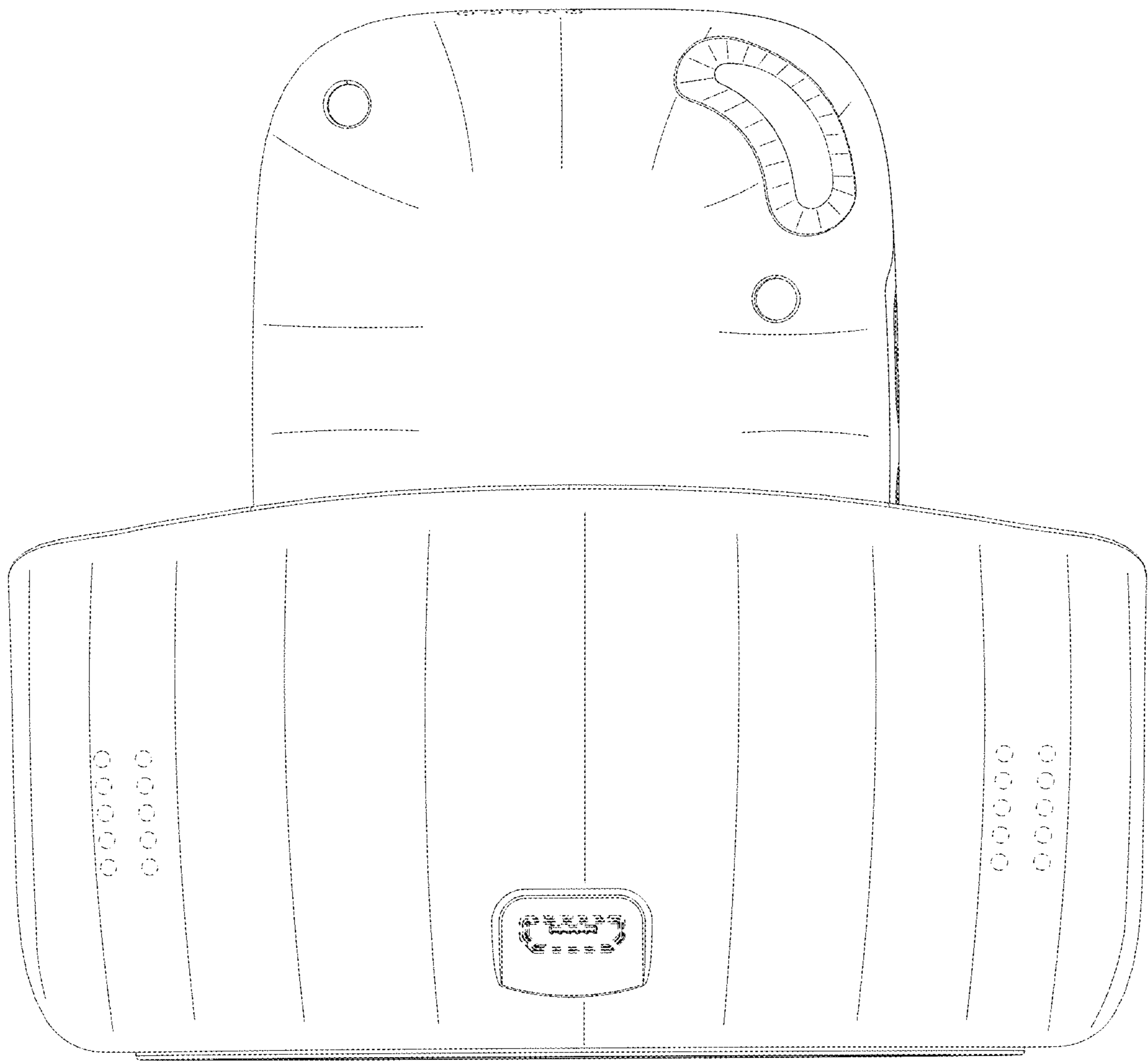


Fig. 1

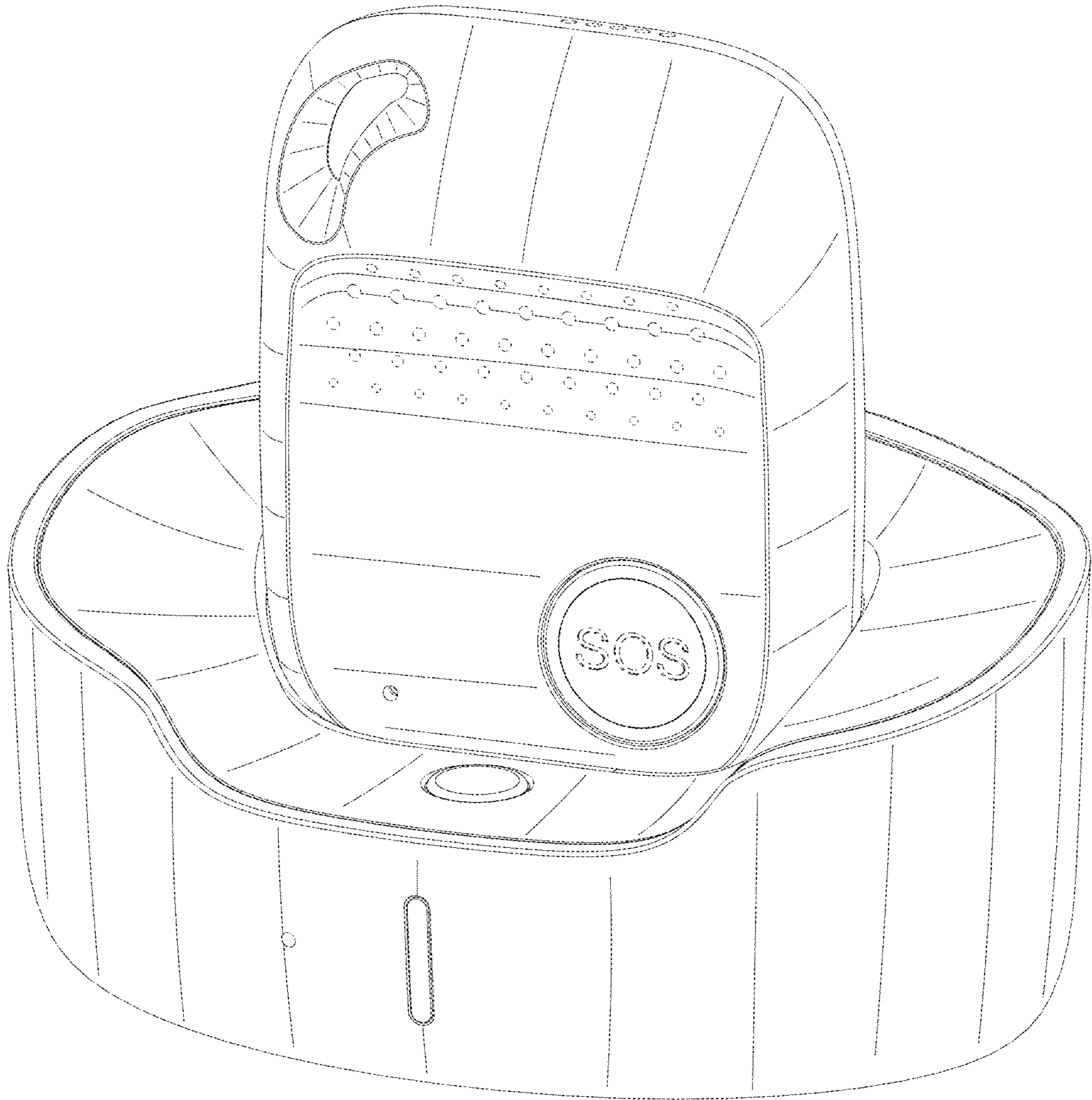


Fig. 2

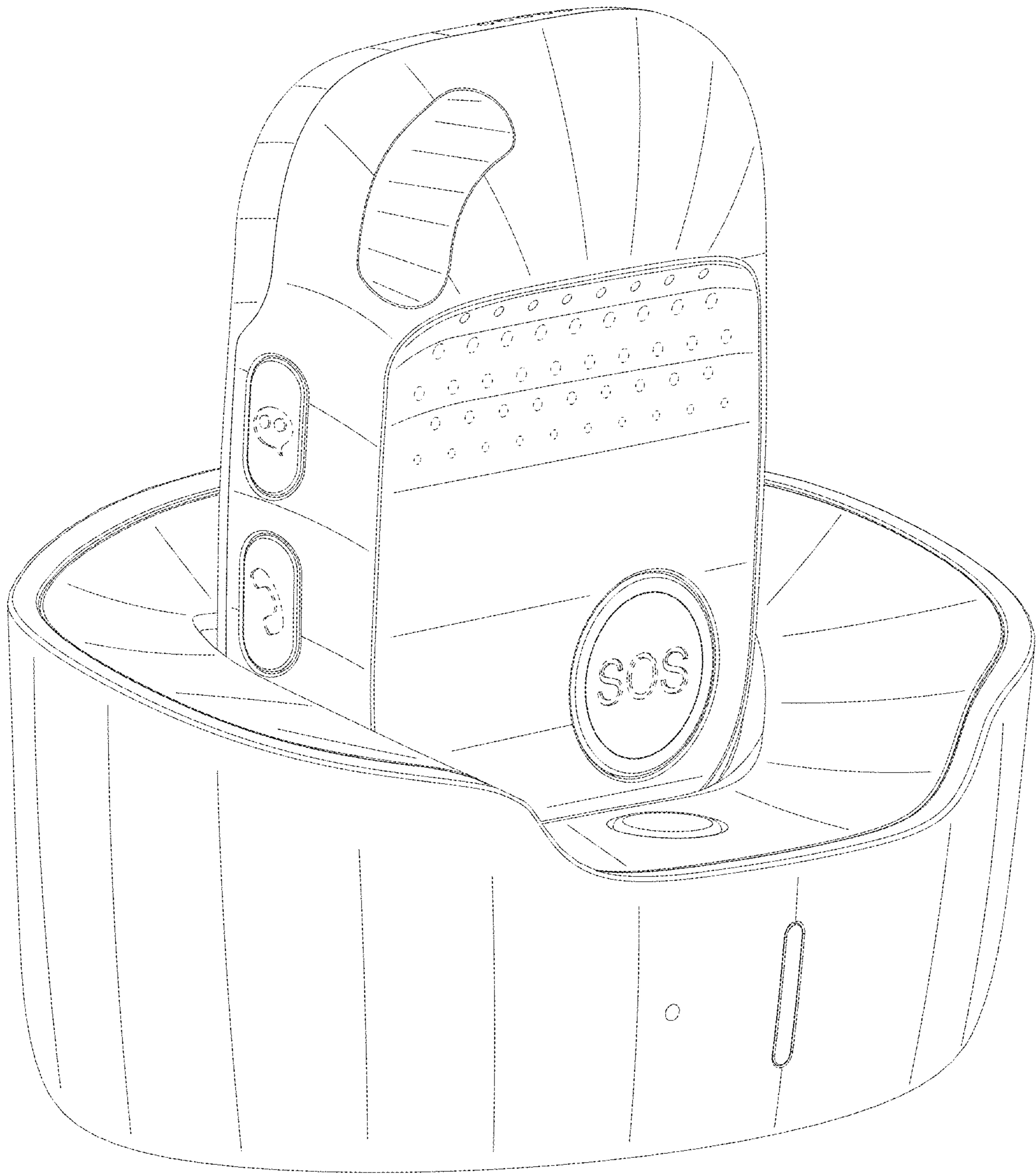


Fig. 3

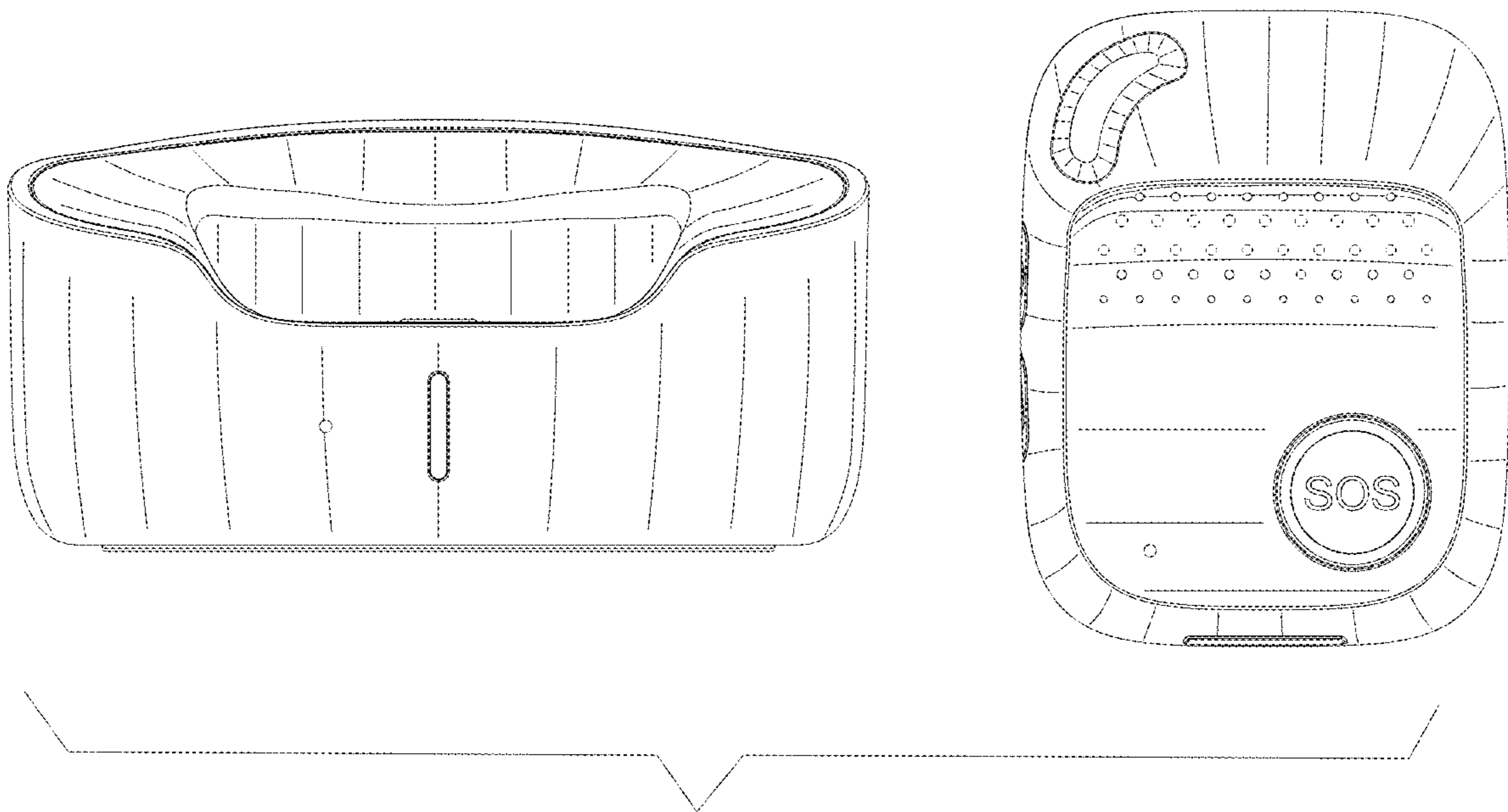


Fig. 4

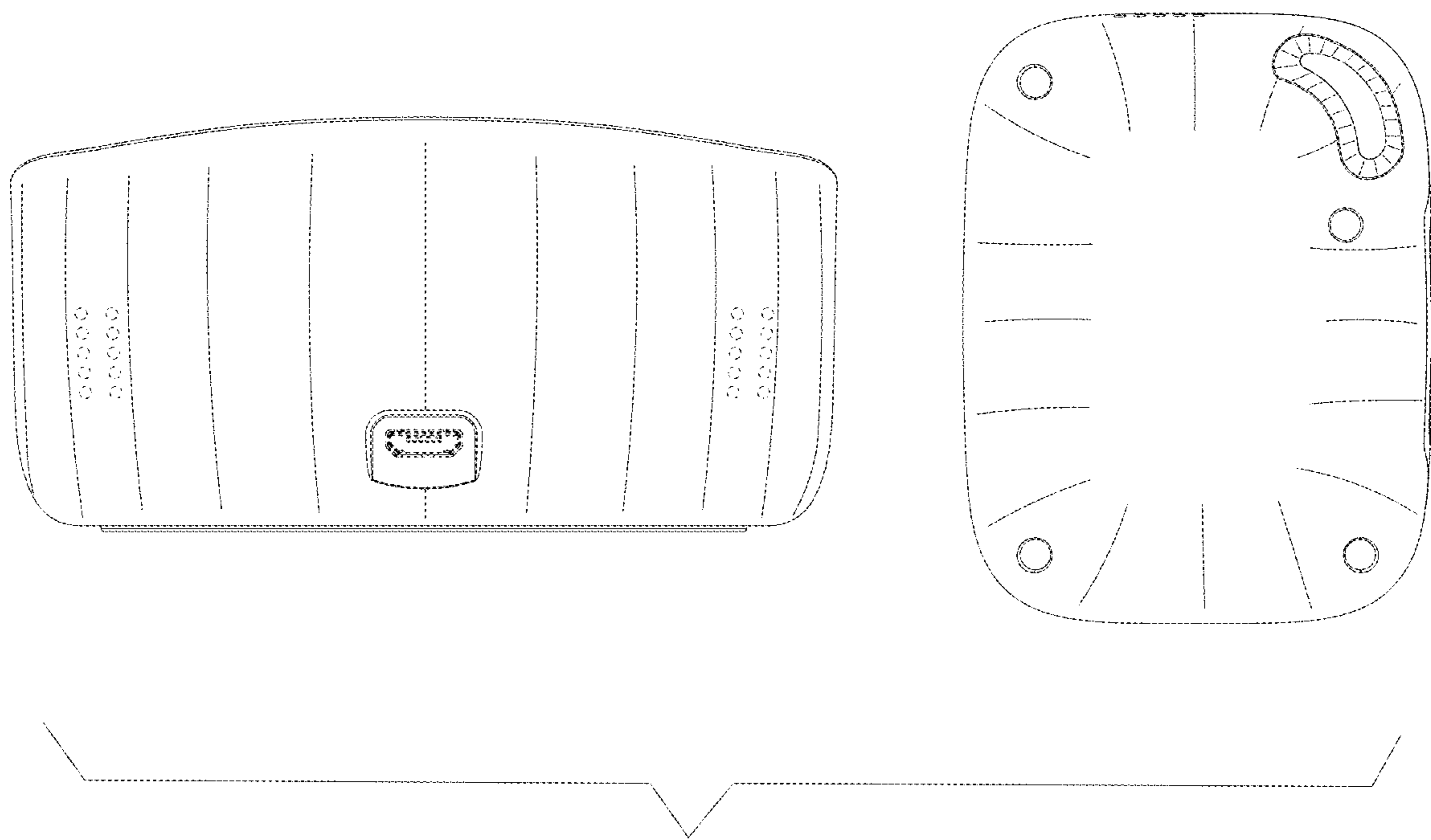


Fig. 5

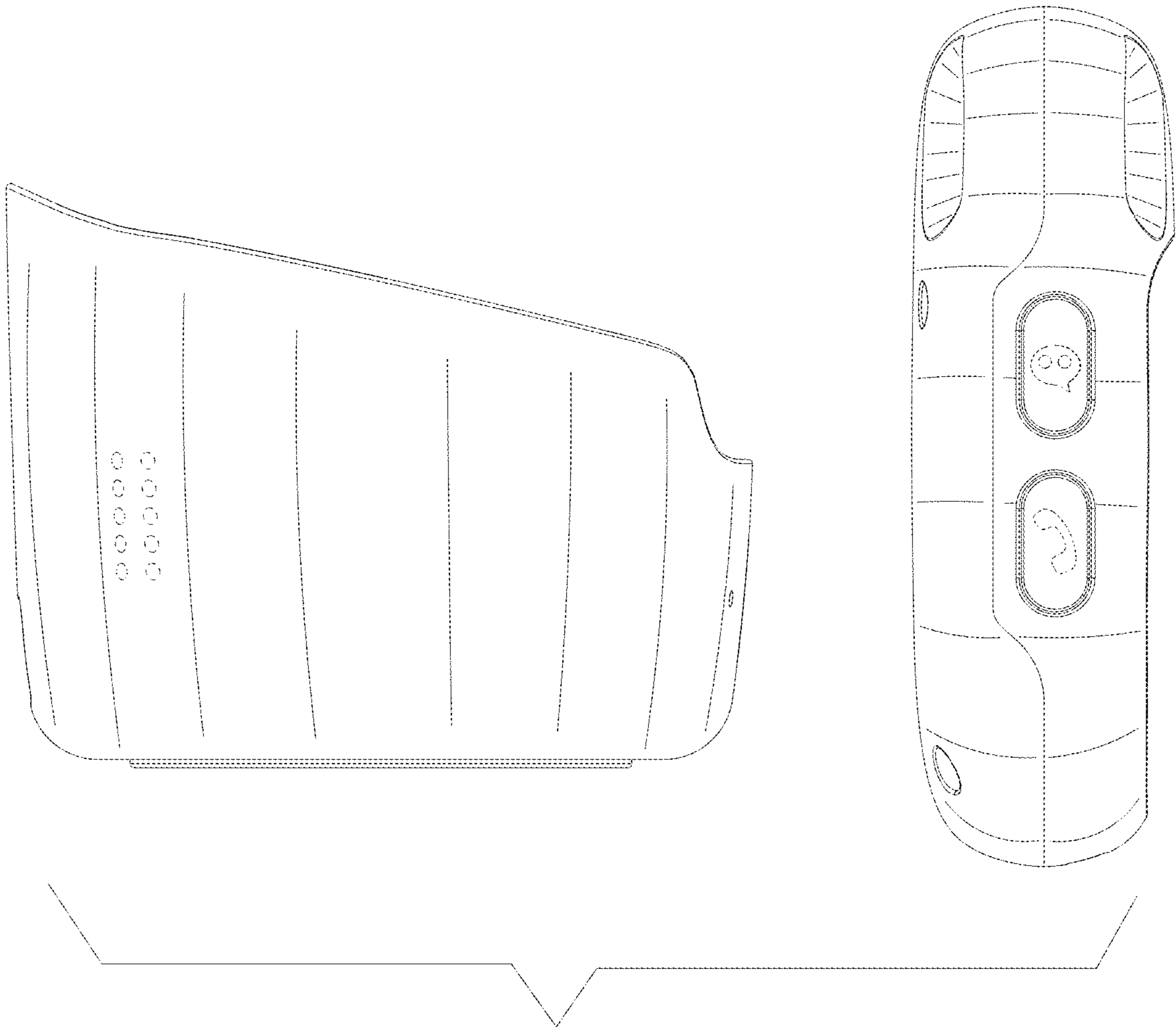


Fig. 6

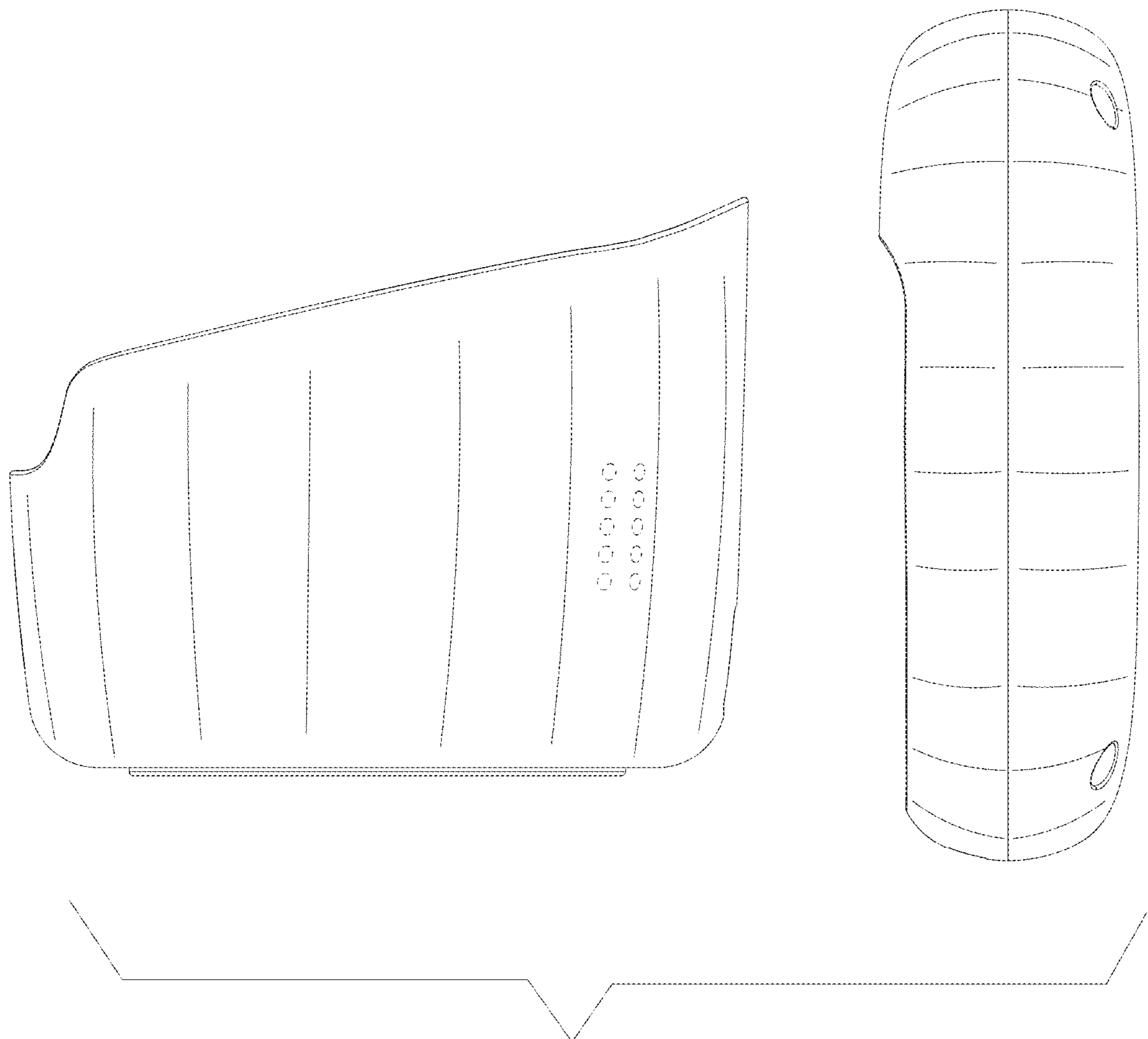


Fig. 7



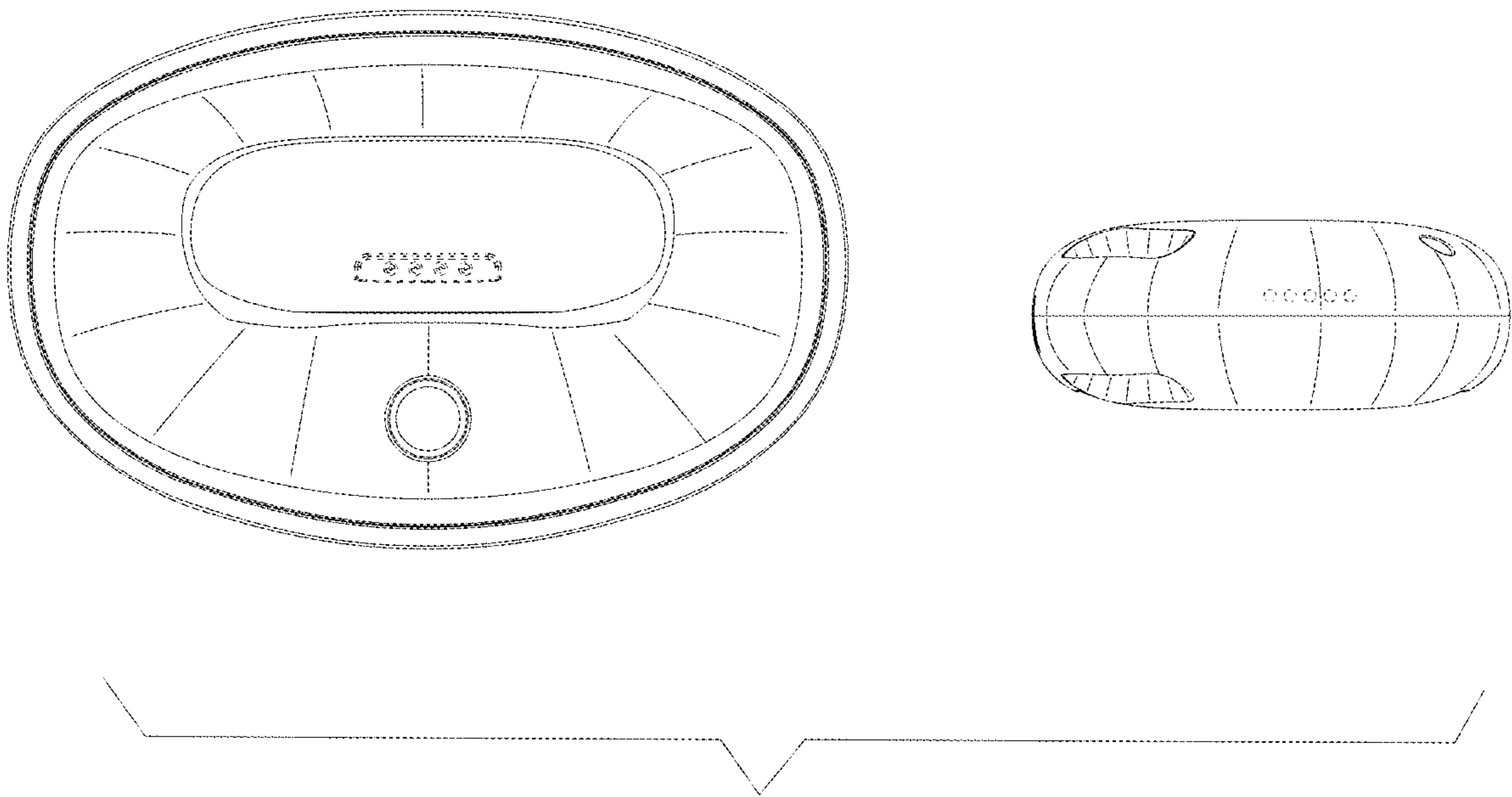


Fig. 8

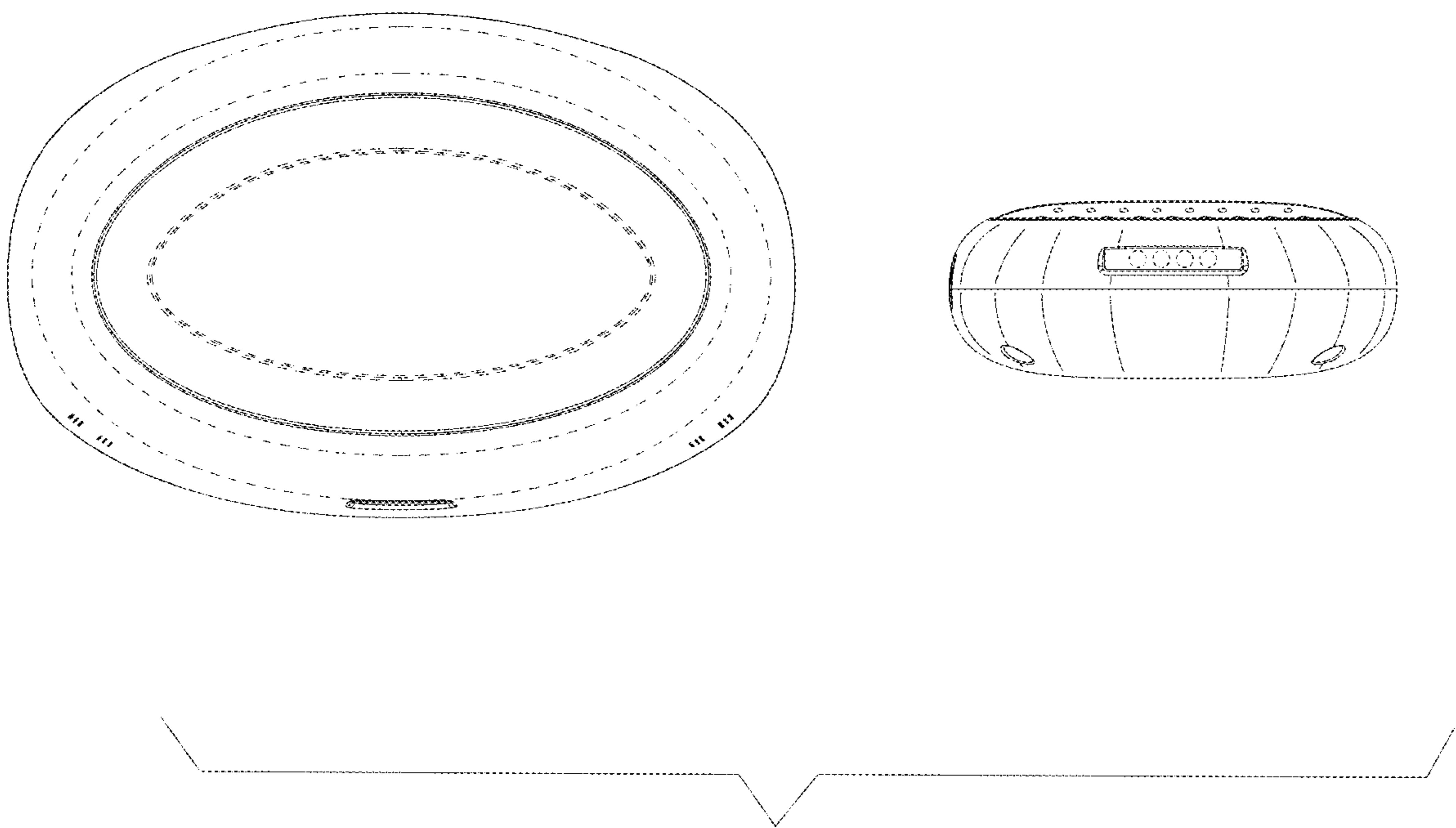


Fig. 9

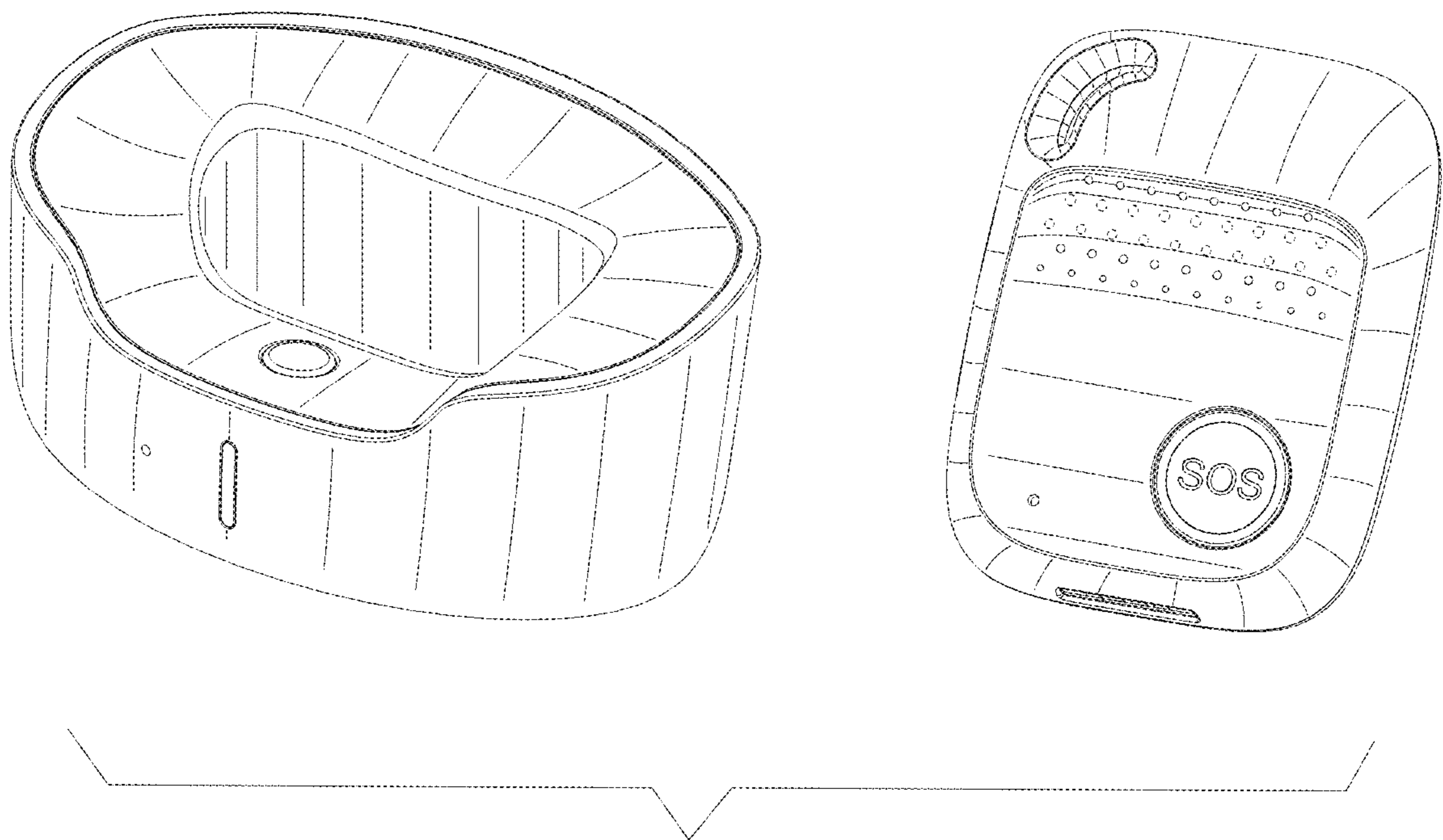


Fig. 10