



US00D983060S

(12) **United States Design Patent**
Qin

(10) **Patent No.:** **US D983,060 S**

(45) **Date of Patent:** **** Apr. 11, 2023**

(54) **MECHANICAL SCALE**
(71) Applicant: **Nanning Weighing Apparatus
Factory, Nanning (CN)**
(72) Inventor: **Cheng Qin, Nanning (CN)**
(73) Assignee: **NANNING WEIGHING
APPARATUS FACTORY, Nanning
(CN)**

4,666,004 A * 5/1987 Raz G01G 19/083
177/139
5,129,472 A * 7/1992 Du G01G 21/283
177/208
D363,242 S * 10/1995 Scanlon D10/88
5,482,421 A * 1/1996 Cummins G01G 19/12
414/21
6,222,137 B1 * 4/2001 Handford G01G 19/083
177/126
9,815,036 B2 * 11/2017 Maguire G01G 19/24
D909,220 S * 2/2021 Hou G01G 19/24
D10/92
10,962,406 B2 * 3/2021 Smith G01G 21/22
2022/0205828 A1 * 6/2022 Qin G01G 19/08

(**) Term: **15 Years**

* cited by examiner

(21) Appl. No.: **29/767,266**

(22) Filed: **Jan. 21, 2021**

Primary Examiner — Joseph Kukella
Assistant Examiner — Lillian Windham
(74) *Attorney, Agent, or Firm* — Chun-Ming Shih;
Lanway IPR Services

(30) **Foreign Application Priority Data**

Dec. 29, 2020 (CN) 202030811971.0

(51) **LOC (14) Cl.** **10-04**

(52) **U.S. Cl.**
USPC **D10/91**

(58) **Field of Classification Search**
USPC D10/9, 87, 88, 89, 90, 91, 92, 94
CPC G01G 19/083; G01G 21/22; G01G 21/28;
G01G 21/283

See application file for complete search history.

(56) **References Cited**

U.S. PATENT DOCUMENTS

D138,854 S * 9/1944 Dreyfuss D10/90
D192,975 S * 6/1962 Wolaver G01G 21/283
D12/99
3,596,725 A * 8/1971 Homs G01G 23/00
177/246
D254,427 S * 3/1980 Perrier D10/91

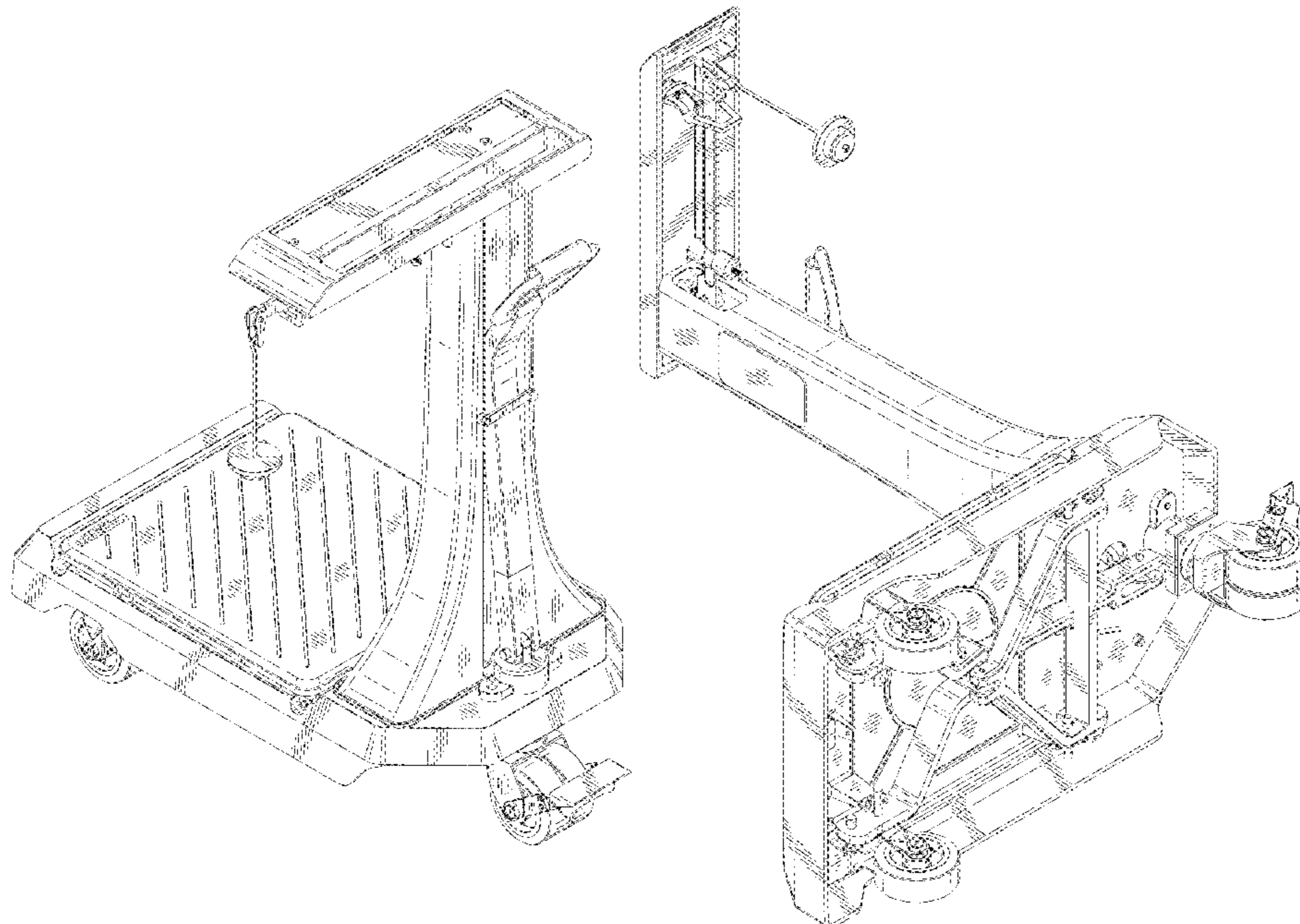
(57) **CLAIM**

The ornamental design for a mechanical scale, as shown and described.

DESCRIPTION

FIG. 1 is a top perspective view of a mechanical scale showing the new design;
FIG. 2 is a front view thereof;
FIG. 3 is a rear view thereof;
FIG. 4 is a left side elevational view thereof;
FIG. 5 is a right side elevational view thereof;
FIG. 6 is a top view thereof;
FIG. 7 is a bottom view thereof; and,
FIG. 8 is a bottom perspective view thereof.
The broken lines illustrate portions of the mechanical scale that form no part of the claimed design.

1 Claim, 8 Drawing Sheets



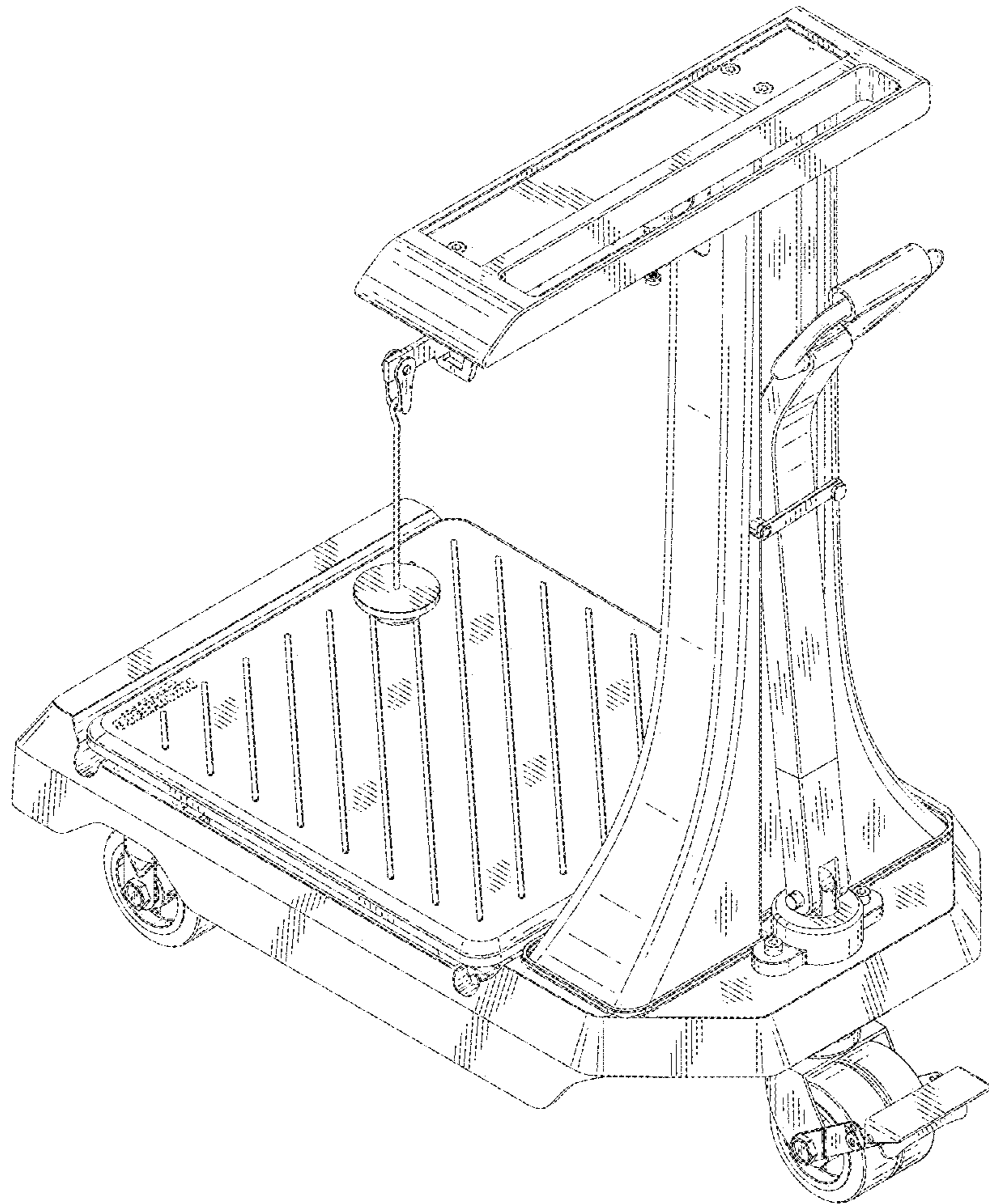


FIG.1

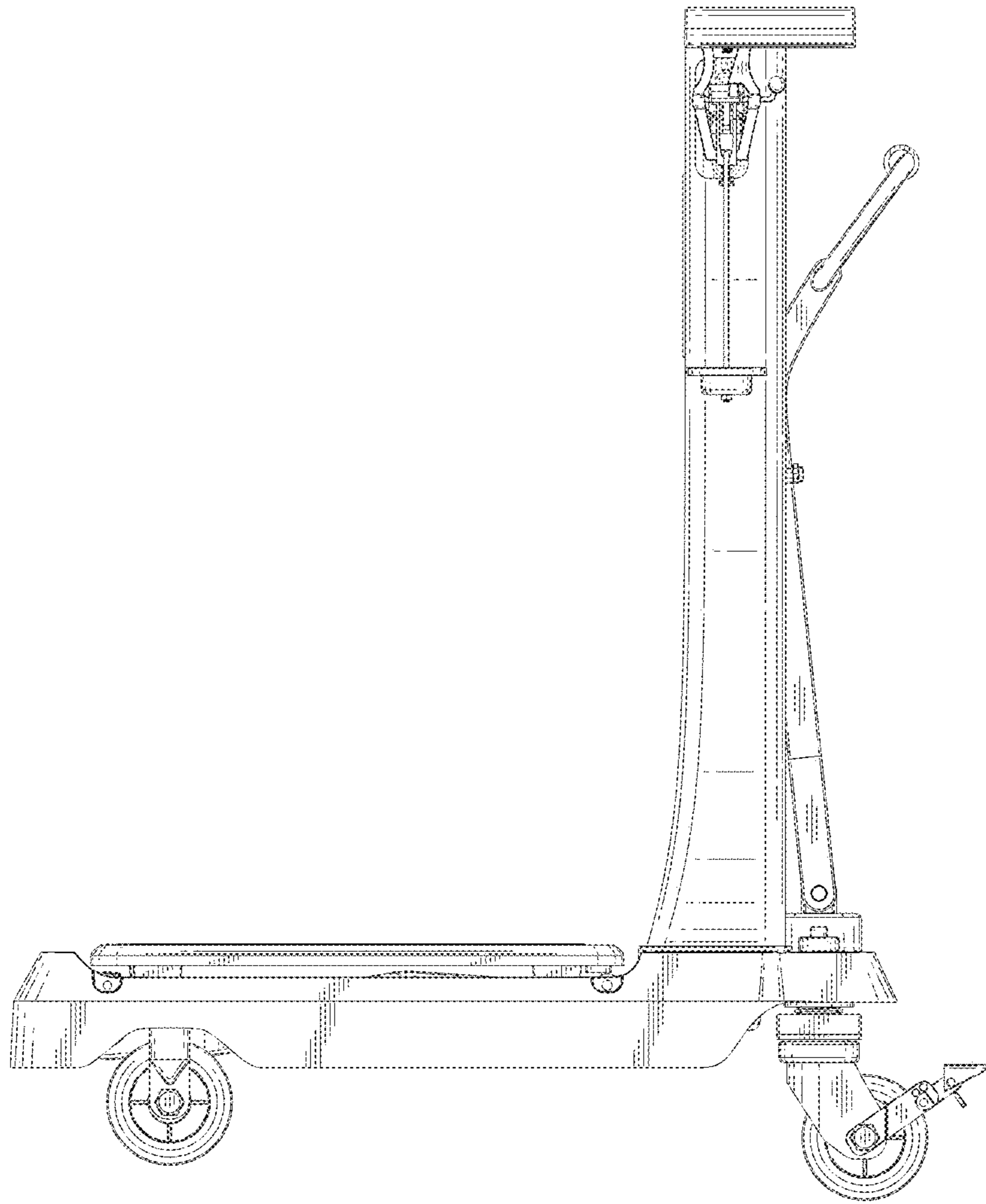


FIG.2

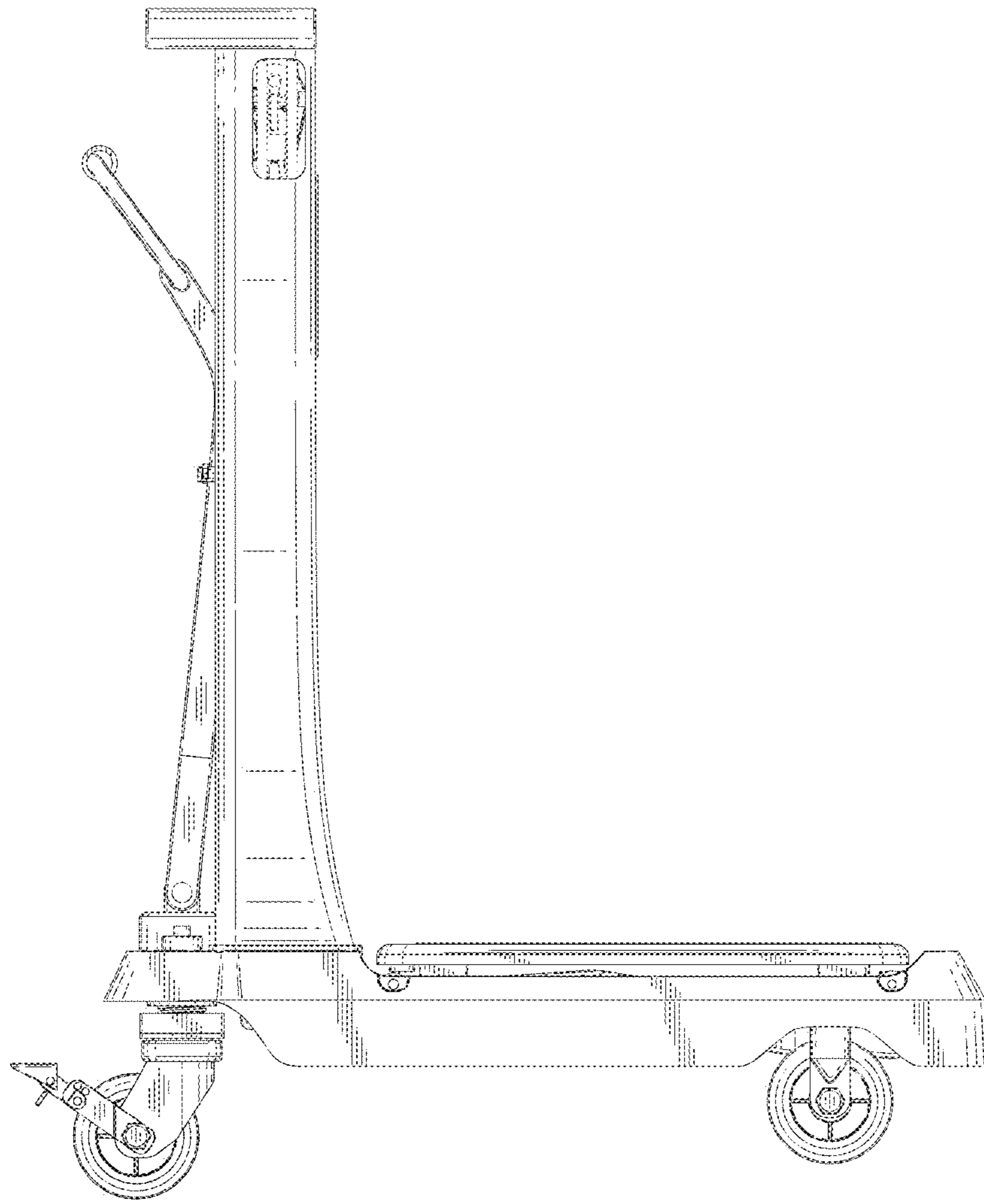


FIG.3

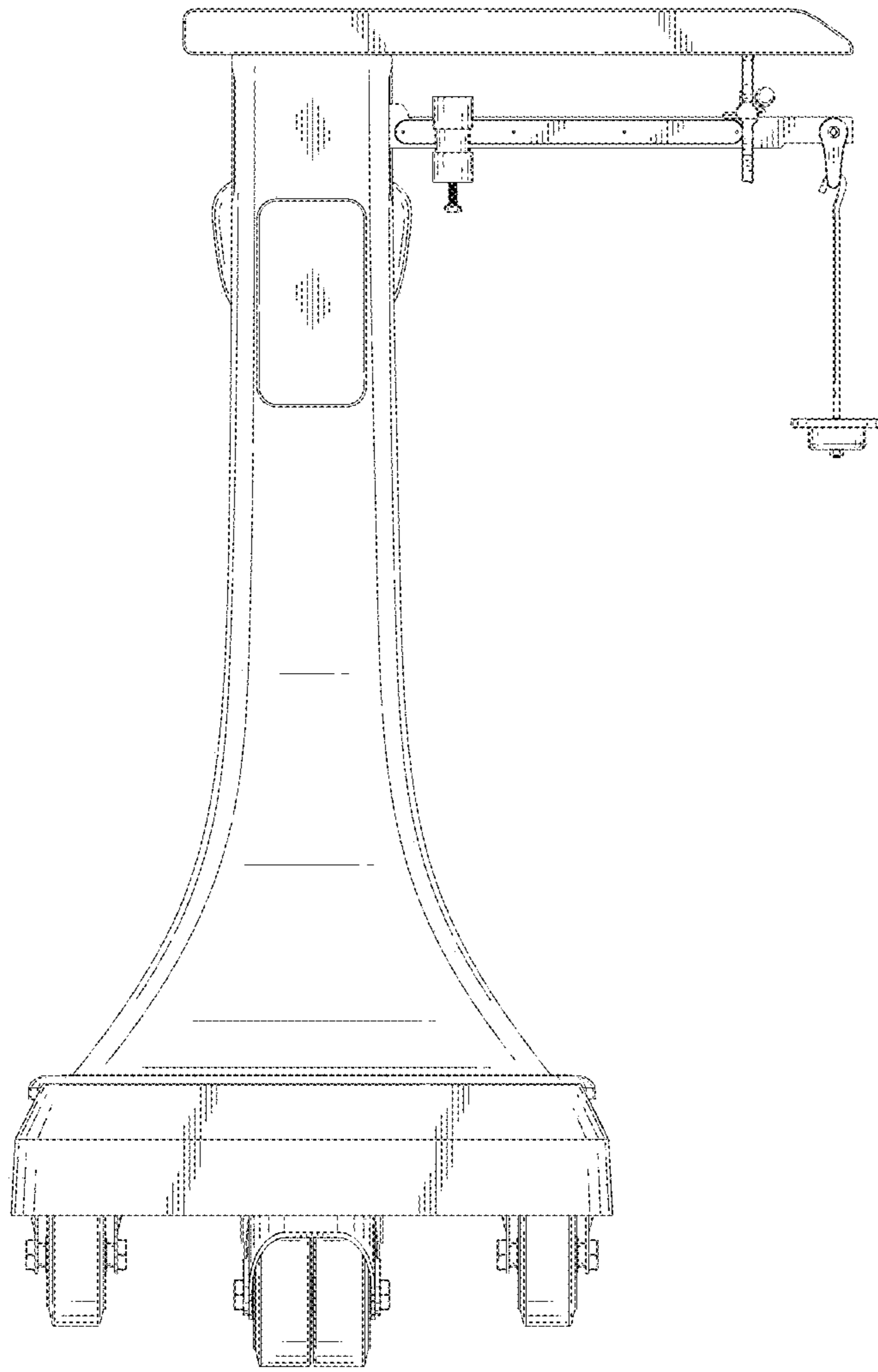


FIG.4

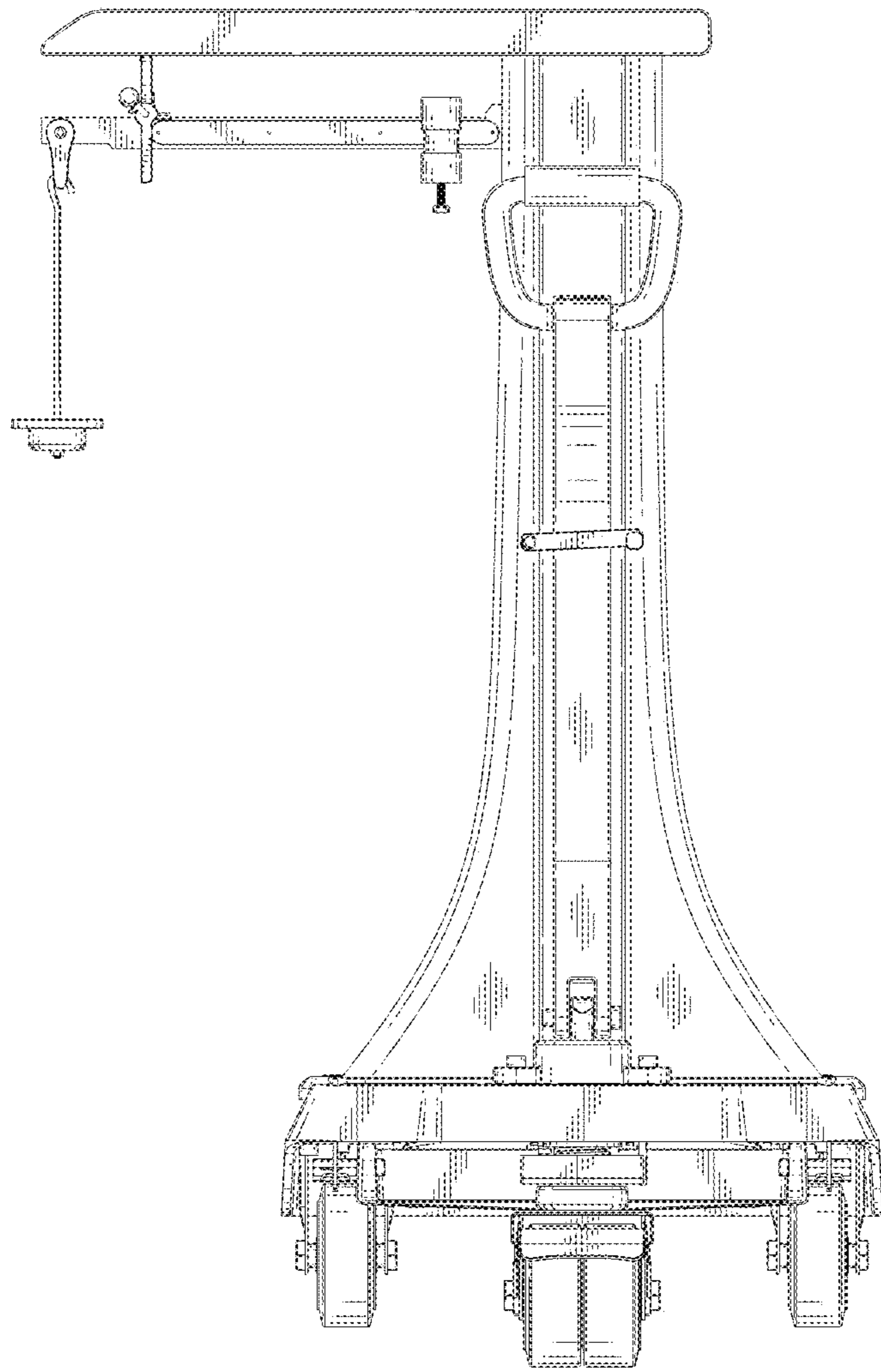


FIG.5

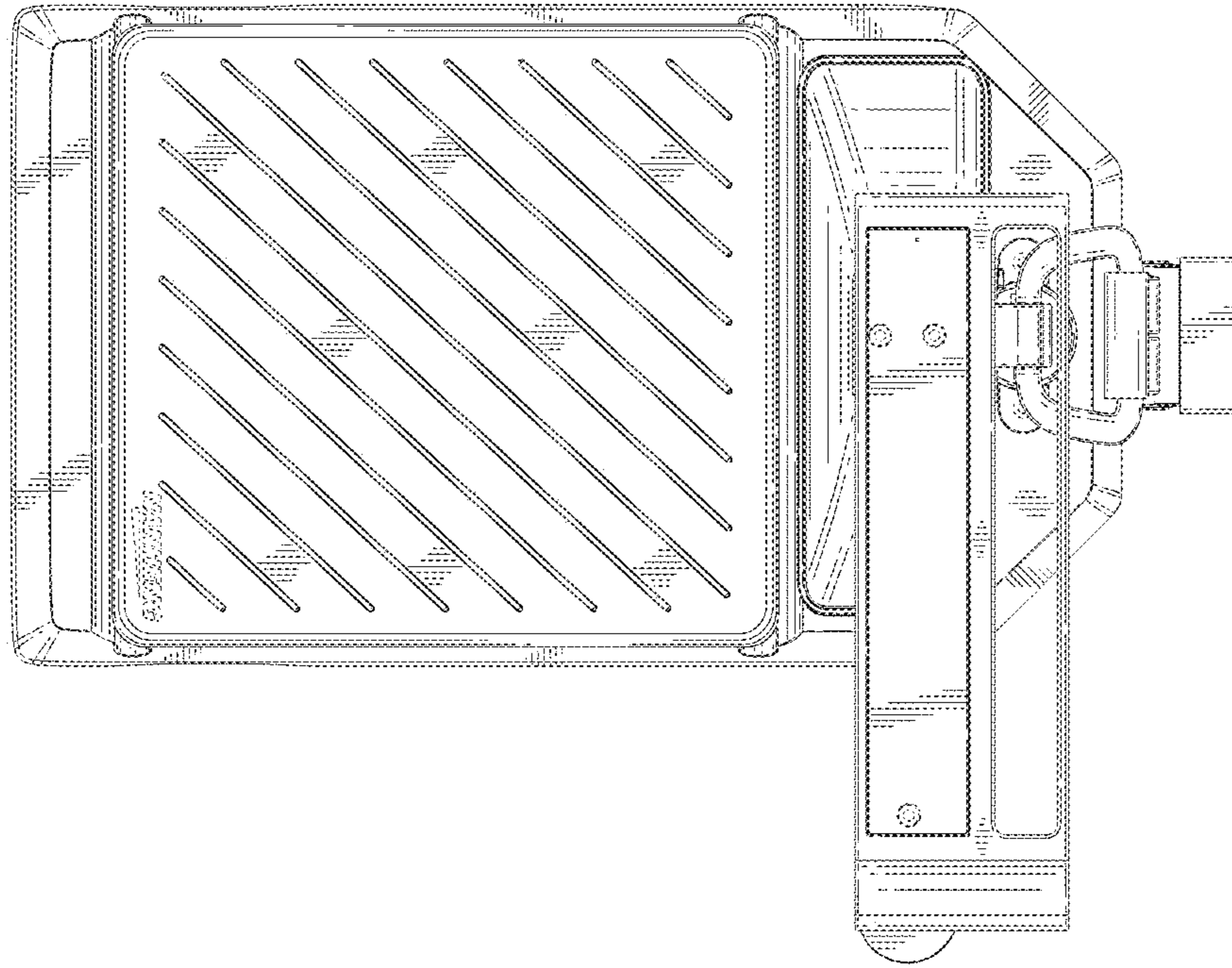


FIG.6

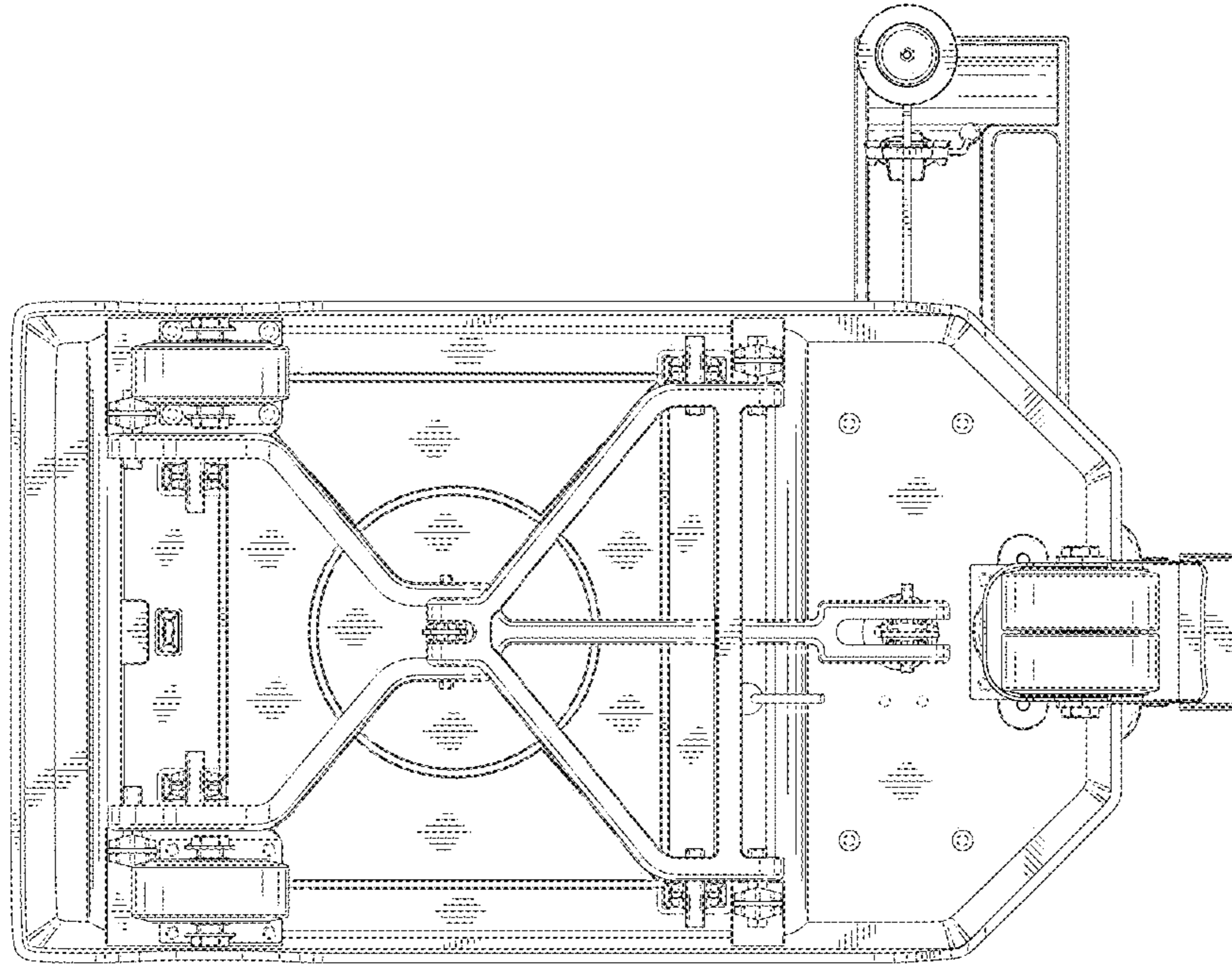


FIG.7

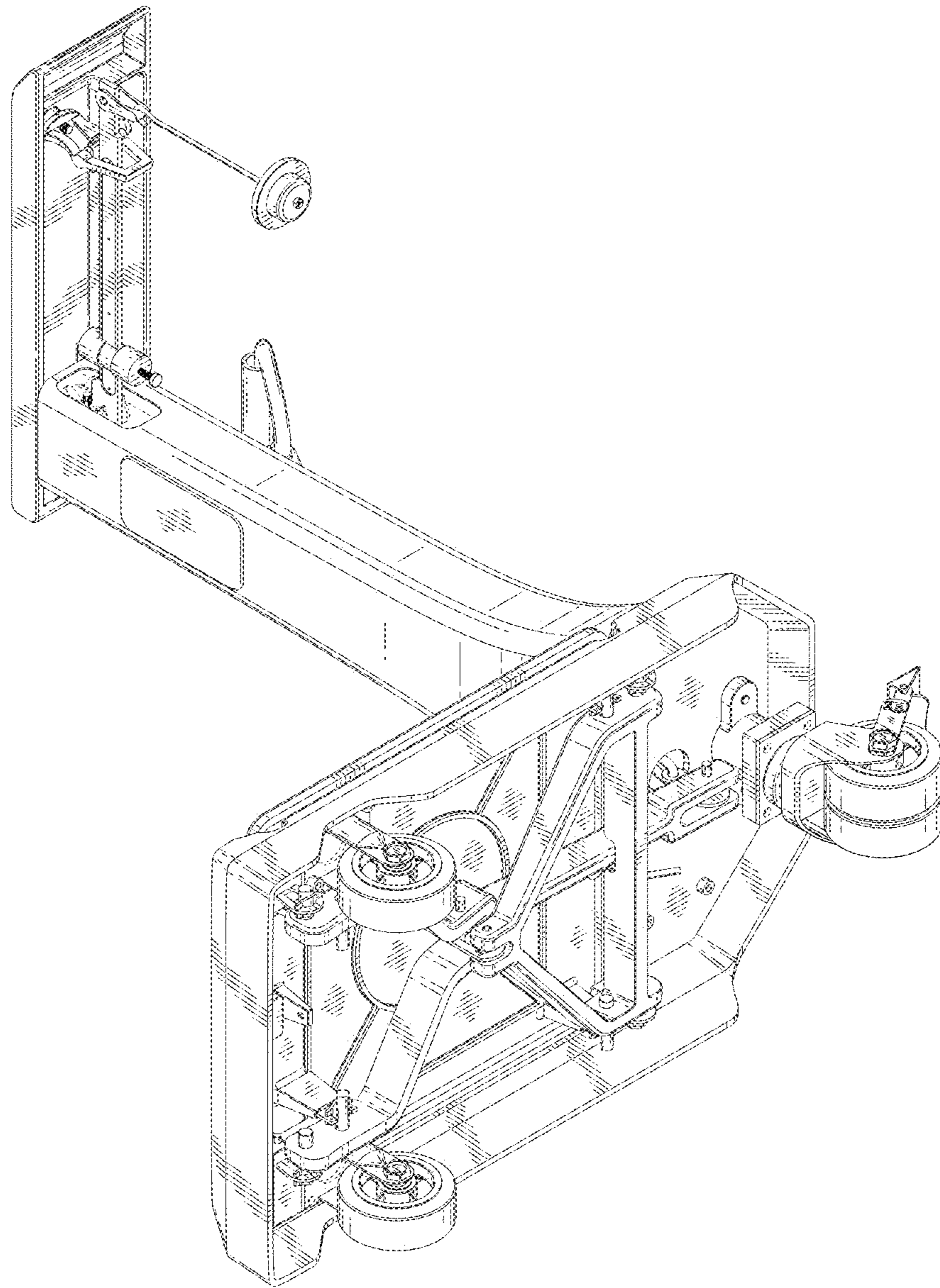


FIG.8