



US00D983052S

(12) **United States Design Patent**
Zhang et al.

(10) **Patent No.:** **US D983,052 S**
(45) **Date of Patent:** **** Apr. 11, 2023**

- (54) **DIGITAL COMBINATION SQUARE**
- (71) Applicants: **Meng Zhang**, San Clemente, CA (US);
Yanchen Zhang, San Clemente, CA (US)
- (72) Inventors: **Meng Zhang**, San Clemente, CA (US);
Yanchen Zhang, San Clemente, CA (US)
- (**) Term: **15 Years**
- (21) Appl. No.: **29/764,114**
- (22) Filed: **Dec. 28, 2020**
- (51) **LOC (14) Cl.** **10-04**
- (52) **U.S. Cl.**
USPC **D10/65**
- (58) **Field of Classification Search**
USPC D10/46, 61, 62, 65, 74, 103
CPC G01B 3/566
See application file for complete search history.

(56) **References Cited**

U.S. PATENT DOCUMENTS

- 282,583 A * 8/1883 Starrett G01B 3/1092
33/341
- 1,523,265 A * 1/1925 Hobbs G01B 3/56
33/342
- D132,550 S * 5/1942 Scifres B43L 7/14
D10/65
- 3,358,372 A * 12/1967 Johnson B43L 7/12
33/473
- 4,301,600 A * 11/1981 Charnley B43L 7/005
33/464
- D267,551 S * 1/1983 Seyler B27G 5/02
D10/65
- D276,316 S * 11/1984 Weeks G01B 3/56
D10/62
- D320,359 S * 10/1991 La Gesse D10/65
- 5,271,159 A * 12/1993 Chen B27G 5/02
33/456

- 5,388,339 A * 2/1995 Roach B43L 7/12
33/480
- D390,136 S * 2/1998 White, Sr. D10/65
- D460,008 S * 7/2002 Cina B43L 13/028
D10/65
- 8,763,265 B2 * 7/2014 Herniman B43L 7/02
33/480
- 9,644,934 B2 * 5/2017 Hershkovich G01B 5/00
- D814,322 S * 4/2018 Pepper B43L 7/14
D10/65
- D883,821 S * 5/2020 Herniman D10/65
- D887,875 S * 6/2020 Mackey D10/65
- 2002/0088130 A1 * 7/2002 Szumer G01B 3/566
33/480
- 2006/0283032 A1 * 12/2006 Yang B43L 13/028
33/419
- 2007/0204475 A1 * 9/2007 Marcus B43L 7/14
33/480
- 2007/0220764 A1 * 9/2007 Wolken B43L 7/14
33/427

(Continued)

Primary Examiner — George D. Kirschbaum
Assistant Examiner — Lillian Windham
(74) *Attorney, Agent, or Firm* — Stephen Let Kwan;
Kwan & Associates

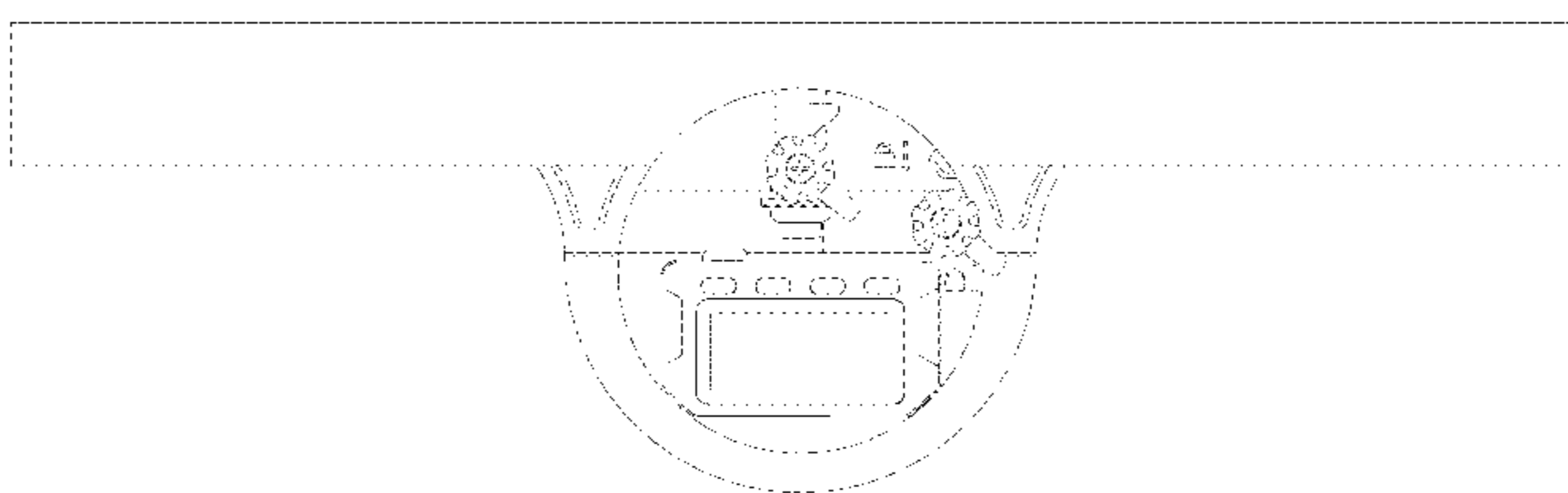
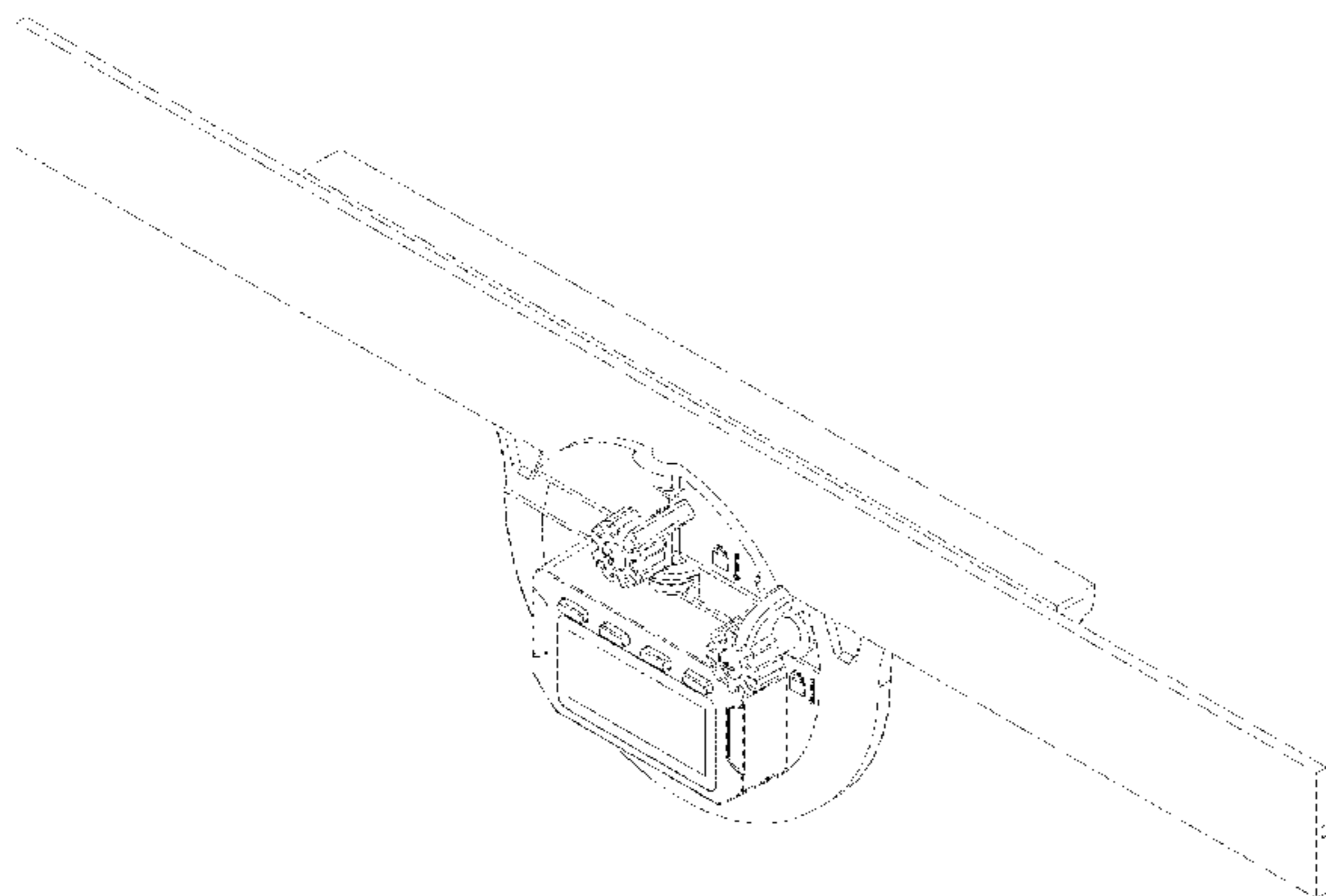
(57) **CLAIM**

The ornamental design for a digital combination square, as shown and described.

DESCRIPTION

FIG. 1 is a top, head on perspective view of a digital combination square showing our new design;
FIG. 2 is a top plan view thereof;
FIG. 3 is a bottom plan view thereon;
FIG. 4 is a rear end view thereof;
FIG. 5 is a head on view thereof;
FIG. 6 is a left side view thereof; and,
FIG. 7 is a right side view thereof.

1 Claim, 7 Drawing Sheets



(56)

References Cited

U.S. PATENT DOCUMENTS

2022/0011084 A1* 1/2022 Cross G01B 3/004

* cited by examiner

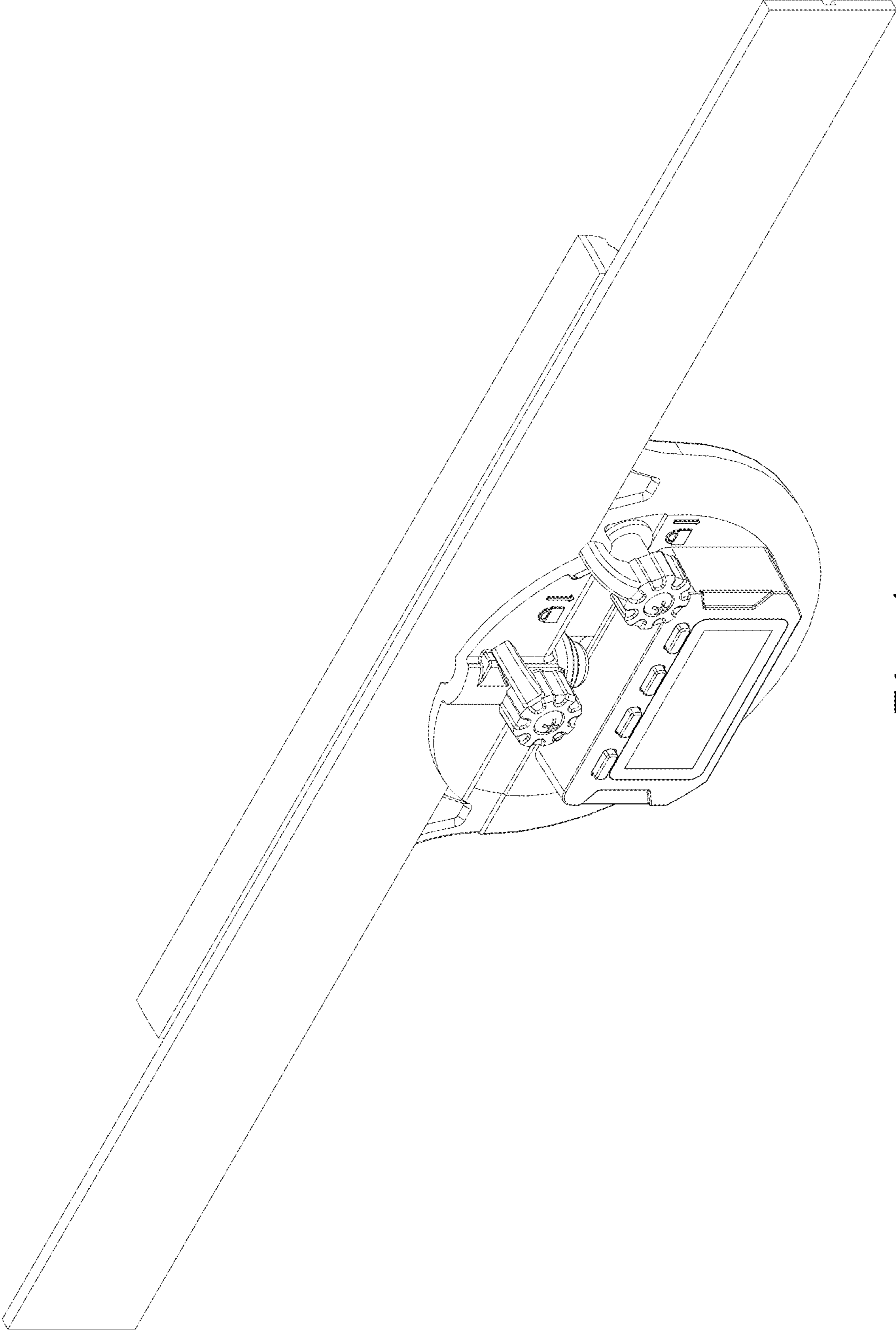


Fig. 1

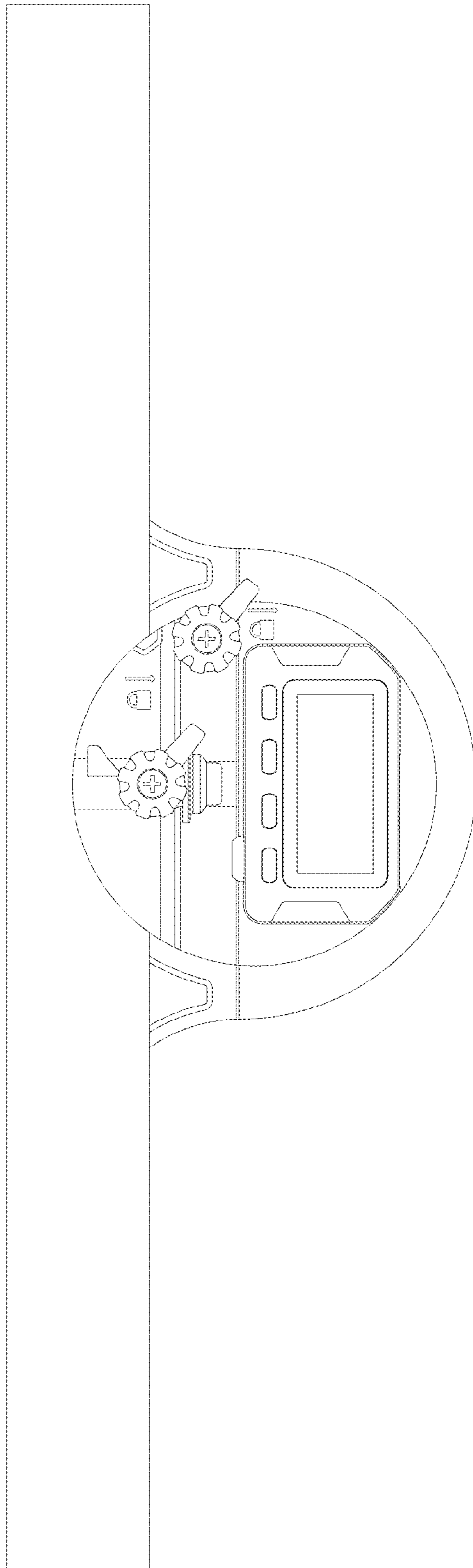


Fig. 2

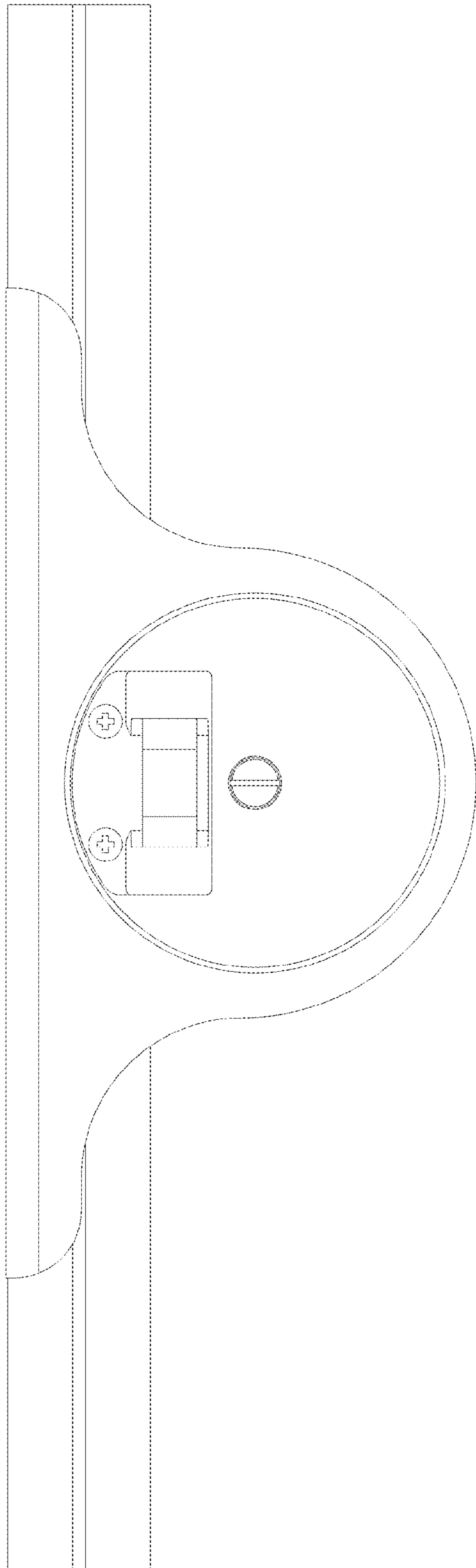


Fig. 3

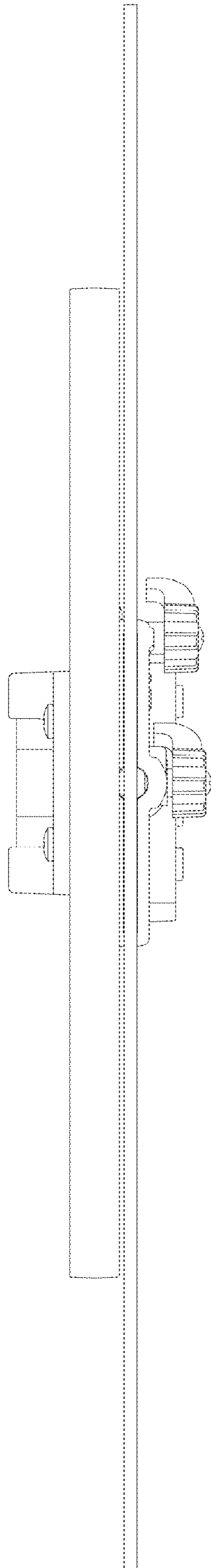


Fig. 4

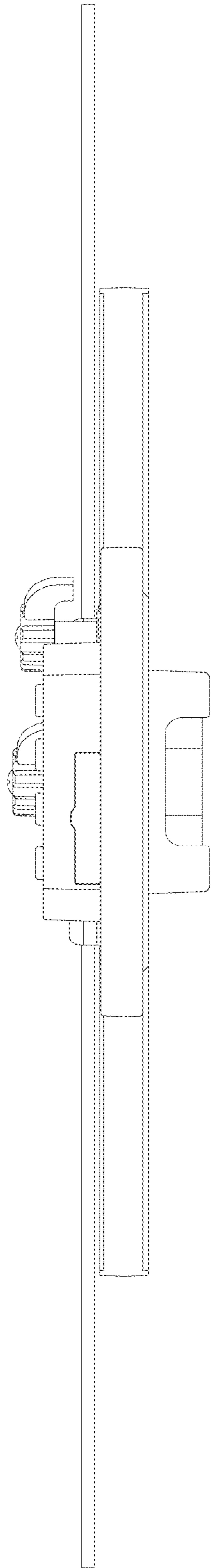


Fig. 5

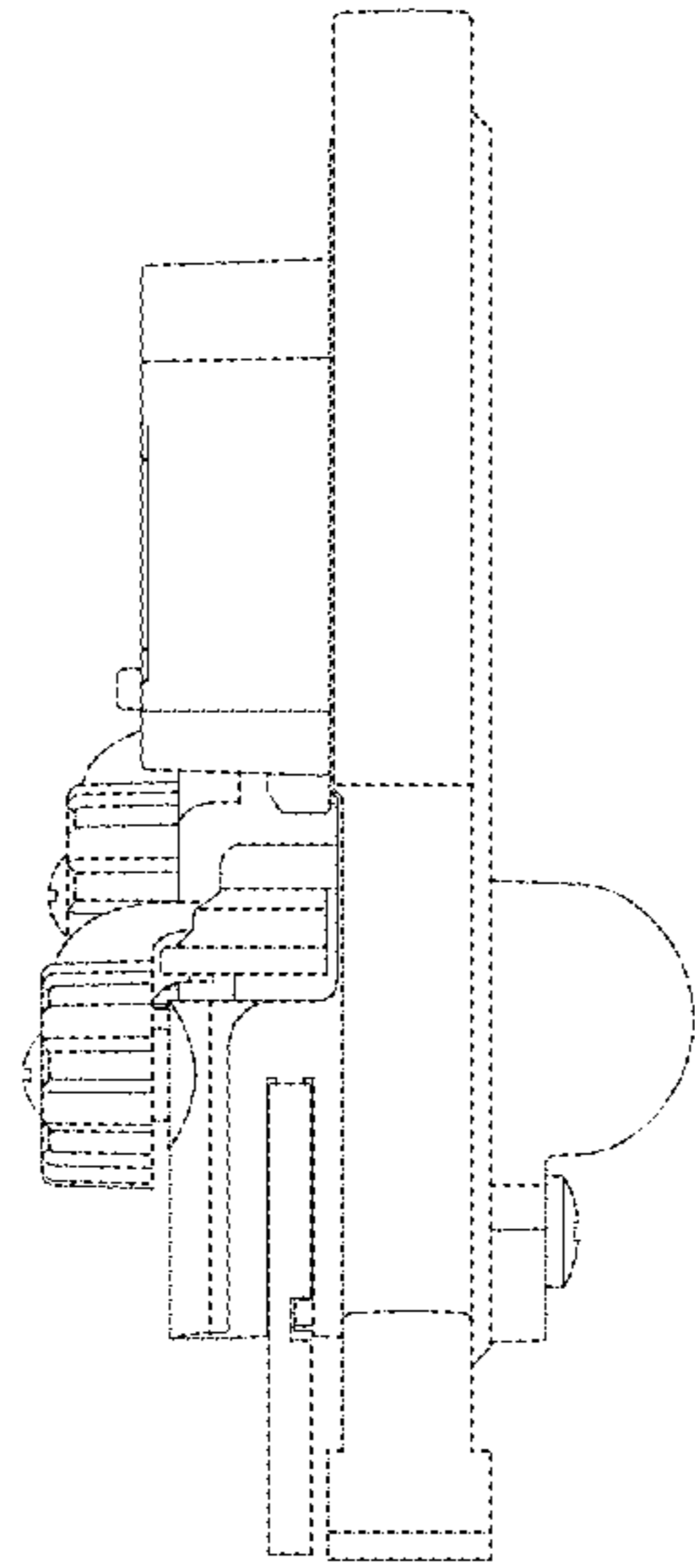


Fig. 6

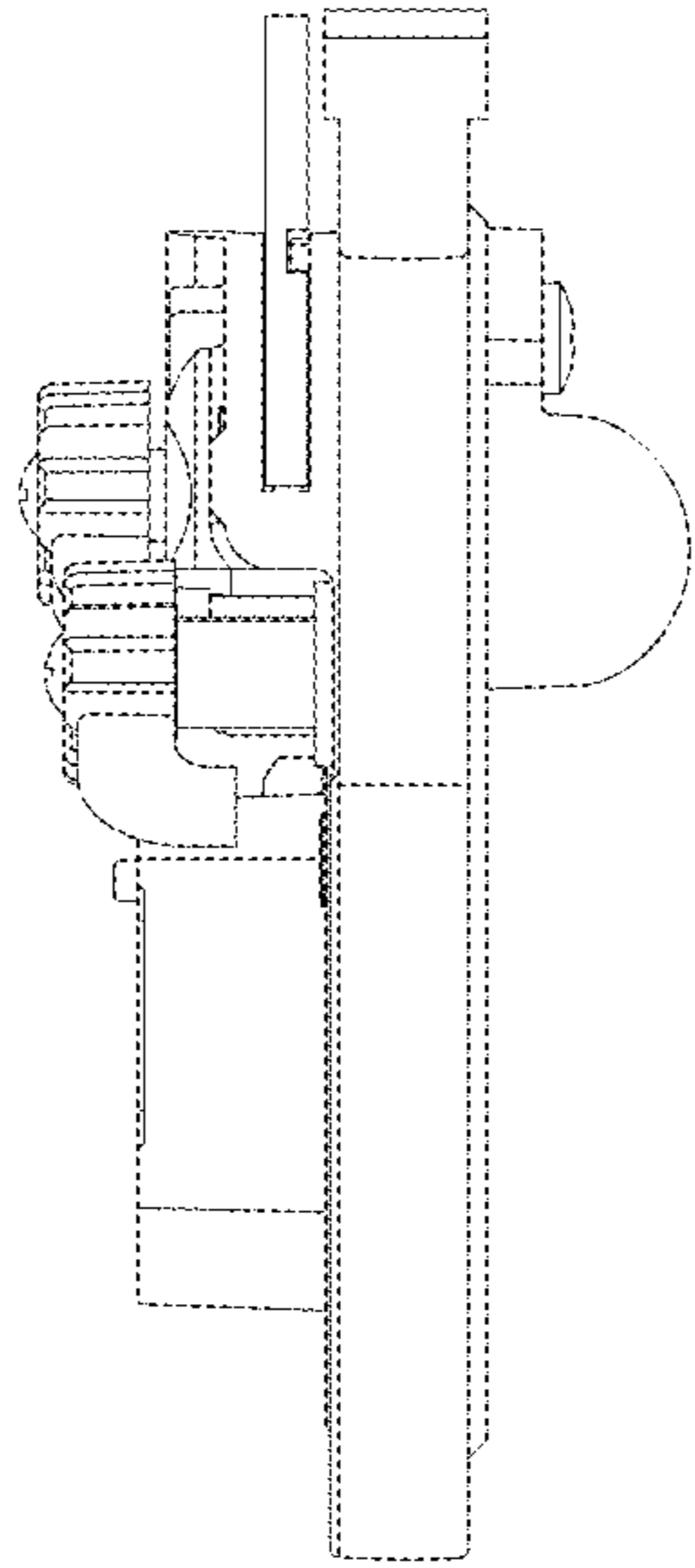


Fig. 7