



US00D983039S

(12) **United States Design Patent** (10) **Patent No.:** **US D983,039 S**
Muthuraja (45) **Date of Patent:** **** Apr. 11, 2023**

(54) **BOTTLE**

(71) Applicant: **The Procter & Gamble Company,**
Cincinnati, OH (US)

(72) Inventor: **Subbiah Muthuraja,** Singapore (SG)

(73) Assignee: **The Procter & Gamble Company,**
Cincinnati, OH (US)

(**) Term: **15 Years**

(21) Appl. No.: **29/664,763**

(22) Filed: **Sep. 27, 2018**

(30) **Foreign Application Priority Data**

Mar. 20, 2018 (WO) 6797201

(51) **LOC (14) Cl.** **09-01**

(52) **U.S. Cl.**
USPC **D9/504; D9/454**

(58) **Field of Classification Search**
USPC D9/434-435, 447, 454, 500, 503-504,
D9/516, 549, 558, 682, 685-686, 688;
D28/82

CPC B65D 1/00; B65D 1/02; B65D 1/0223;
B65D 23/00; B65D 51/32; B65D
2501/00; B65D 2501/0009

See application file for complete search history.

(56) **References Cited**

U.S. PATENT DOCUMENTS

D114,461 S * 4/1939 Platt D9/504
D385,793 S * 11/1997 Marsal D9/503
D402,549 S * 12/1998 Nahum Albright D9/545
D640,136 S * 6/2011 Liba D9/454
D703,052 S * 4/2014 Park D9/503
D703,053 S * 4/2014 Park D9/503
D739,084 S * 9/2015 Hall D9/680

9,167,881 B2 * 10/2015 Mehta A45D 34/045
D763,086 S * 8/2016 Kalagher D9/504
D766,093 S * 9/2016 Otani D9/560
9,669,965 B2 * 6/2017 Kalagher B65D 81/3227
D799,754 S * 10/2017 Chertoff D28/85
D804,950 S * 12/2017 Spurrier D9/500
D813,678 S * 3/2018 Kalagher D9/504
D825,336 S * 8/2018 Spurrier D9/500
D845,132 S * 4/2019 Otani D9/503
D886,632 S * 6/2020 Ahn D9/723
D892,624 S * 8/2020 Son D9/504
D903,496 S * 12/2020 Burrowes D9/504
D930,906 S * 9/2021 Jung D9/504
D942,693 S * 2/2022 Zeng D9/504
2014/0147189 A1 * 5/2014 Wightman A45D 34/046
401/122

OTHER PUBLICATIONS

Japanese magazine "Croissant", "Packaging Container" . (JPO
Publicly Known Document No. HA24007740), No. 19, dated Oct.
10, 2012), p. 131 (no copy available).

* cited by examiner

Primary Examiner — Dana Meyrow

(74) *Attorney, Agent, or Firm* — Linda M. Sivik

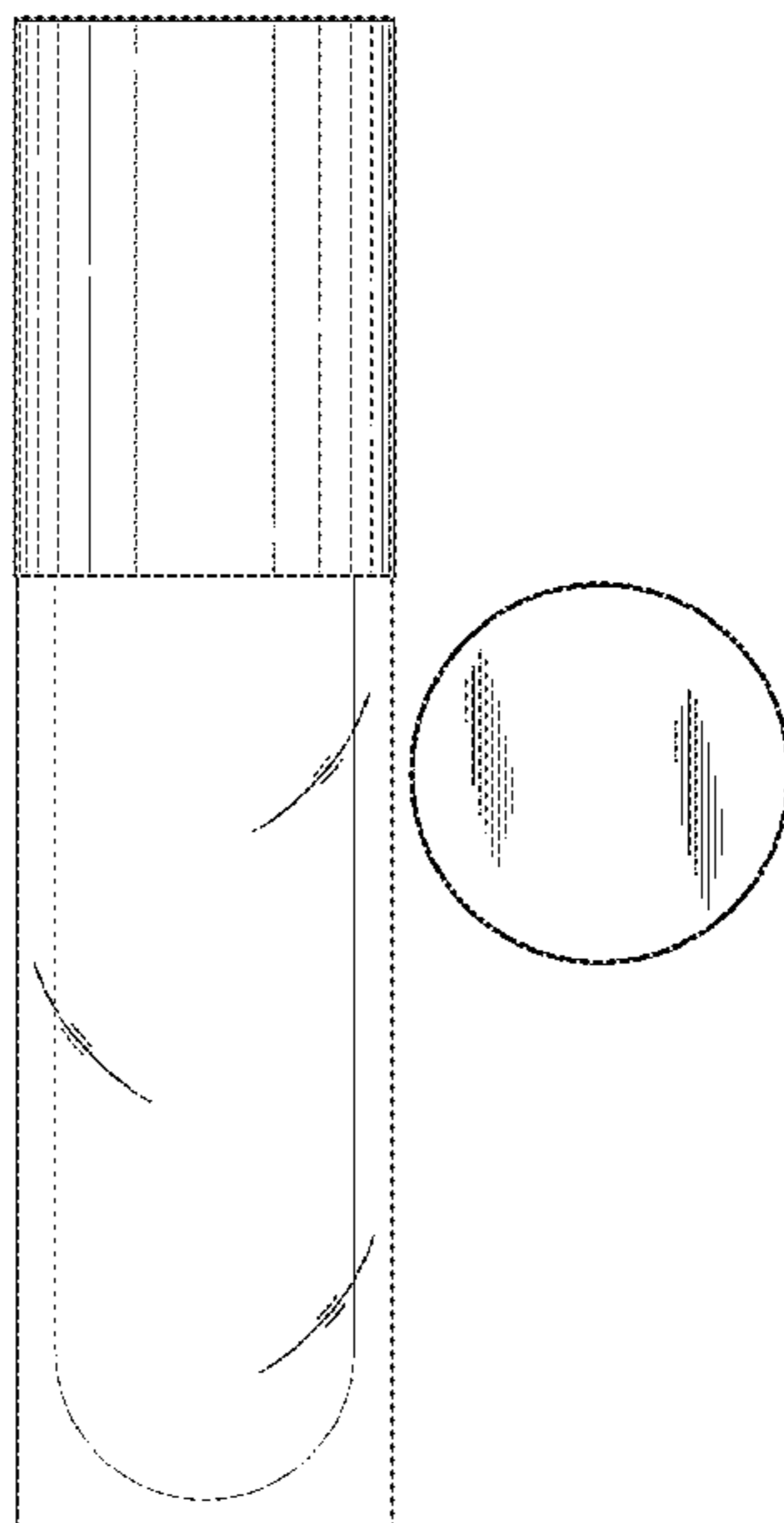
(57) **CLAIM**

The ornamental design for a bottle or the like, as shown and
described above.

DESCRIPTION

FIG. 1 is a perspective view of a bottle;
FIG. 2 is a right side view thereof;
FIG. 3 is a left side view thereof;
FIG. 4 is a front view thereof;
FIG. 5 is a rear view thereof;
FIG. 6 is a top plan view thereof; and,
FIG. 7 is a bottom view thereof.

1 Claim, 7 Drawing Sheets



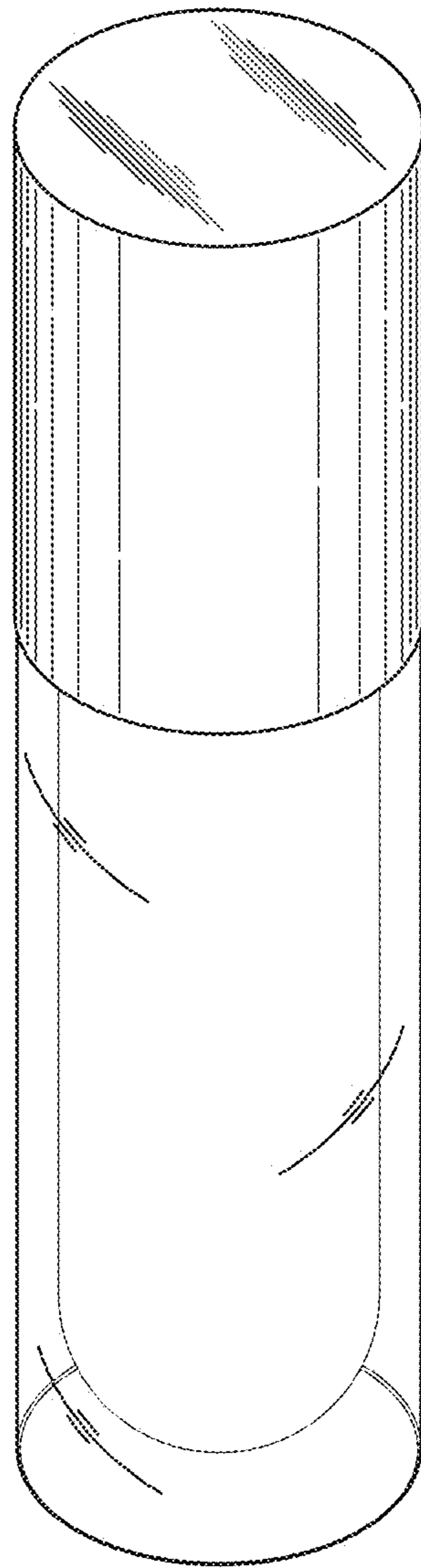


Figure 1

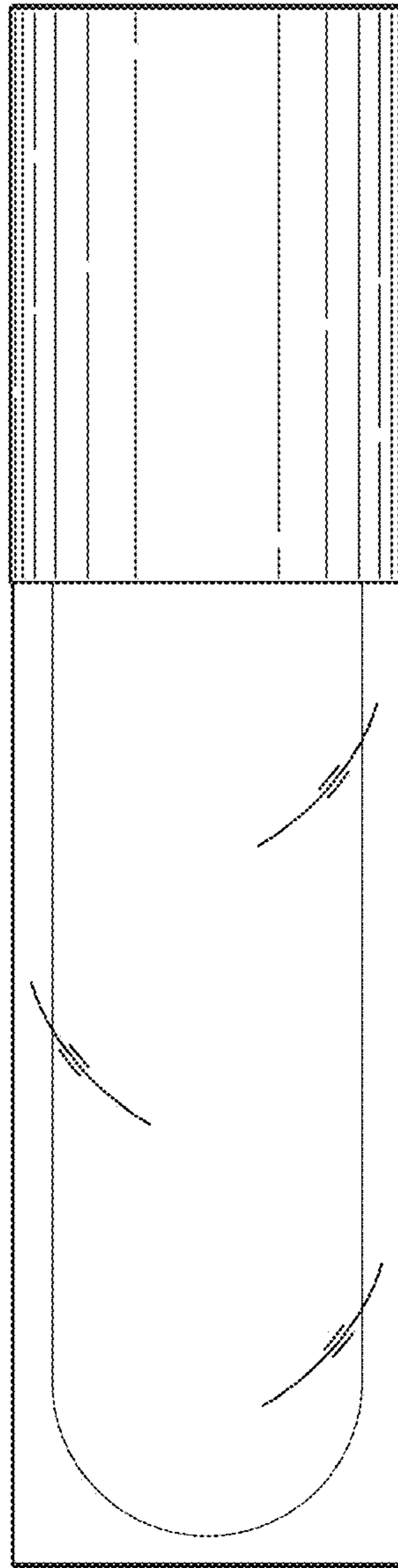


Figure 2

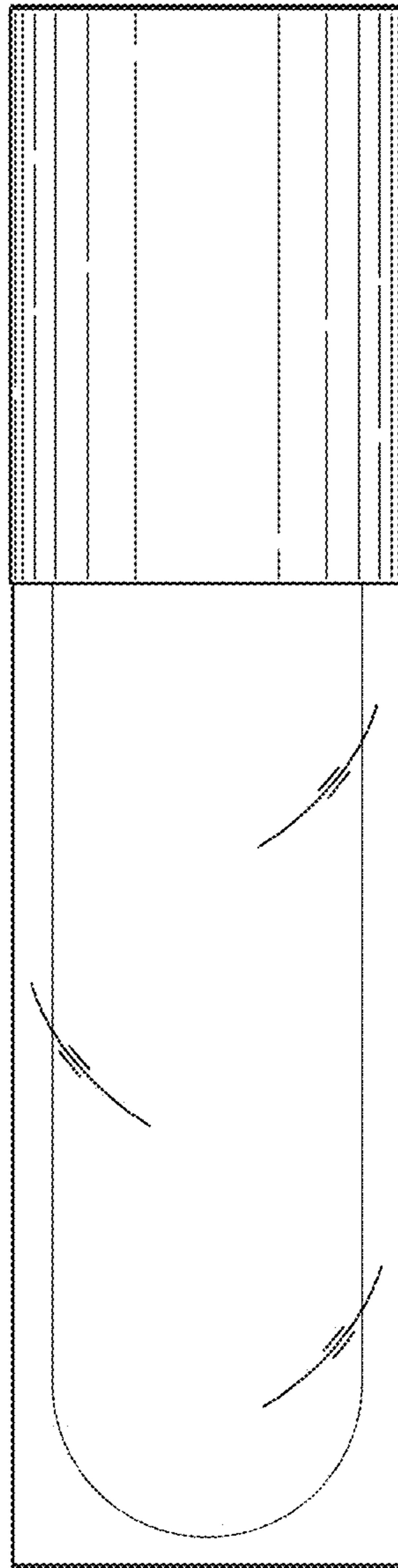


Figure 3

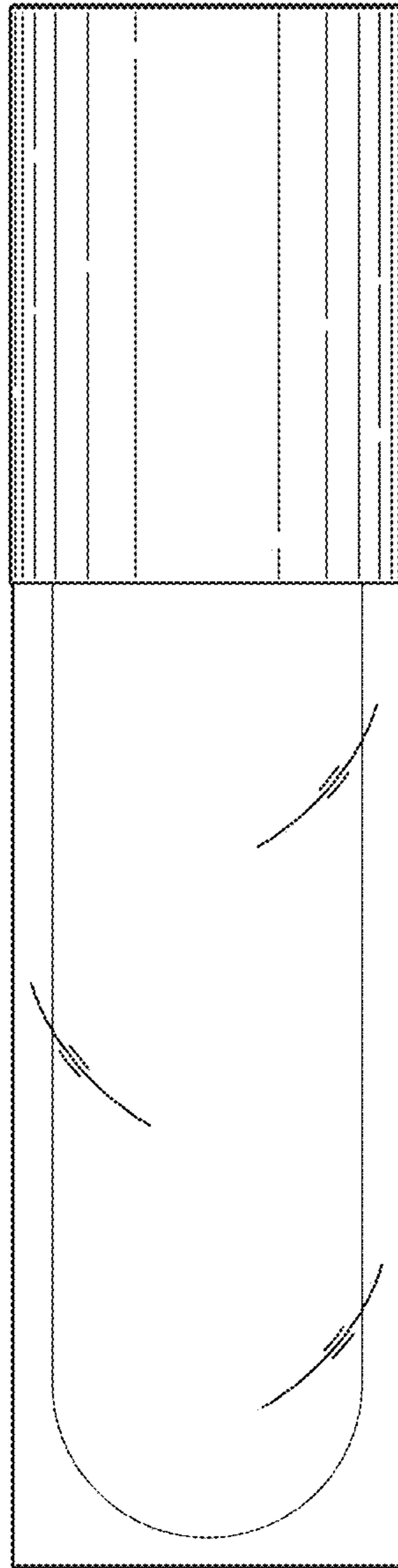


Figure 4

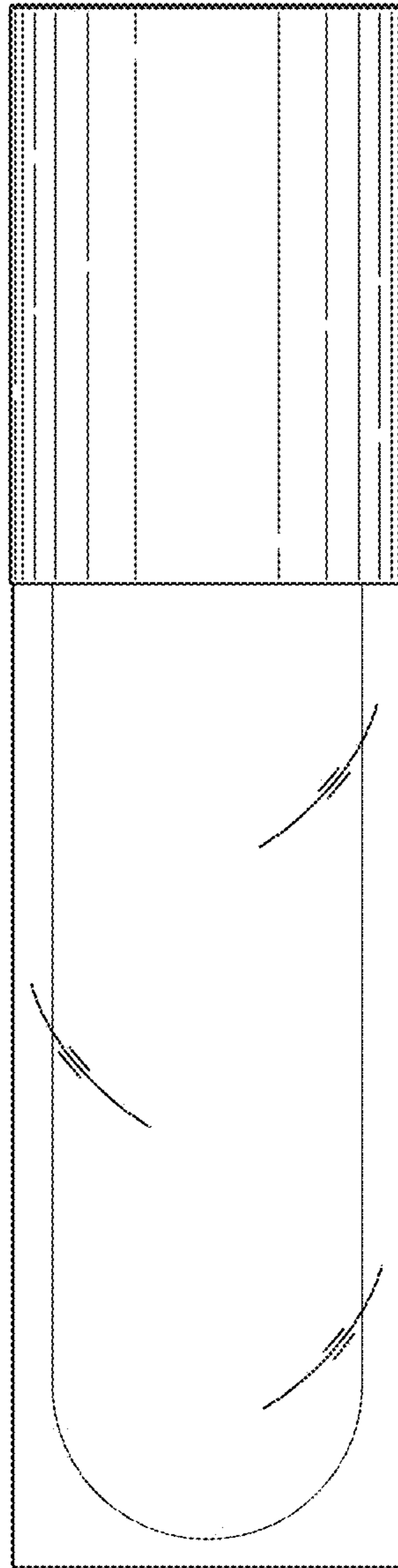


Figure 5

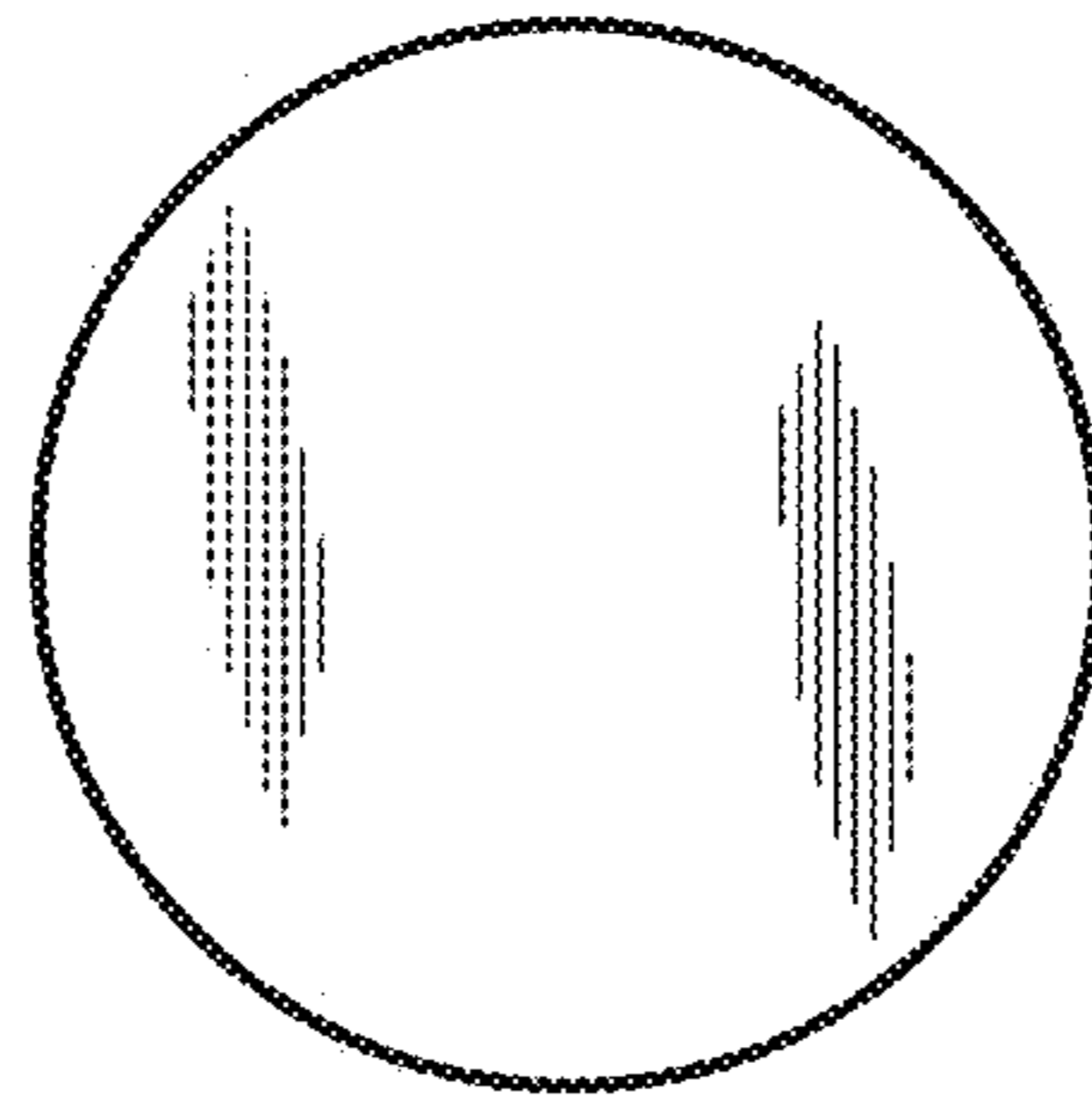


Figure 6

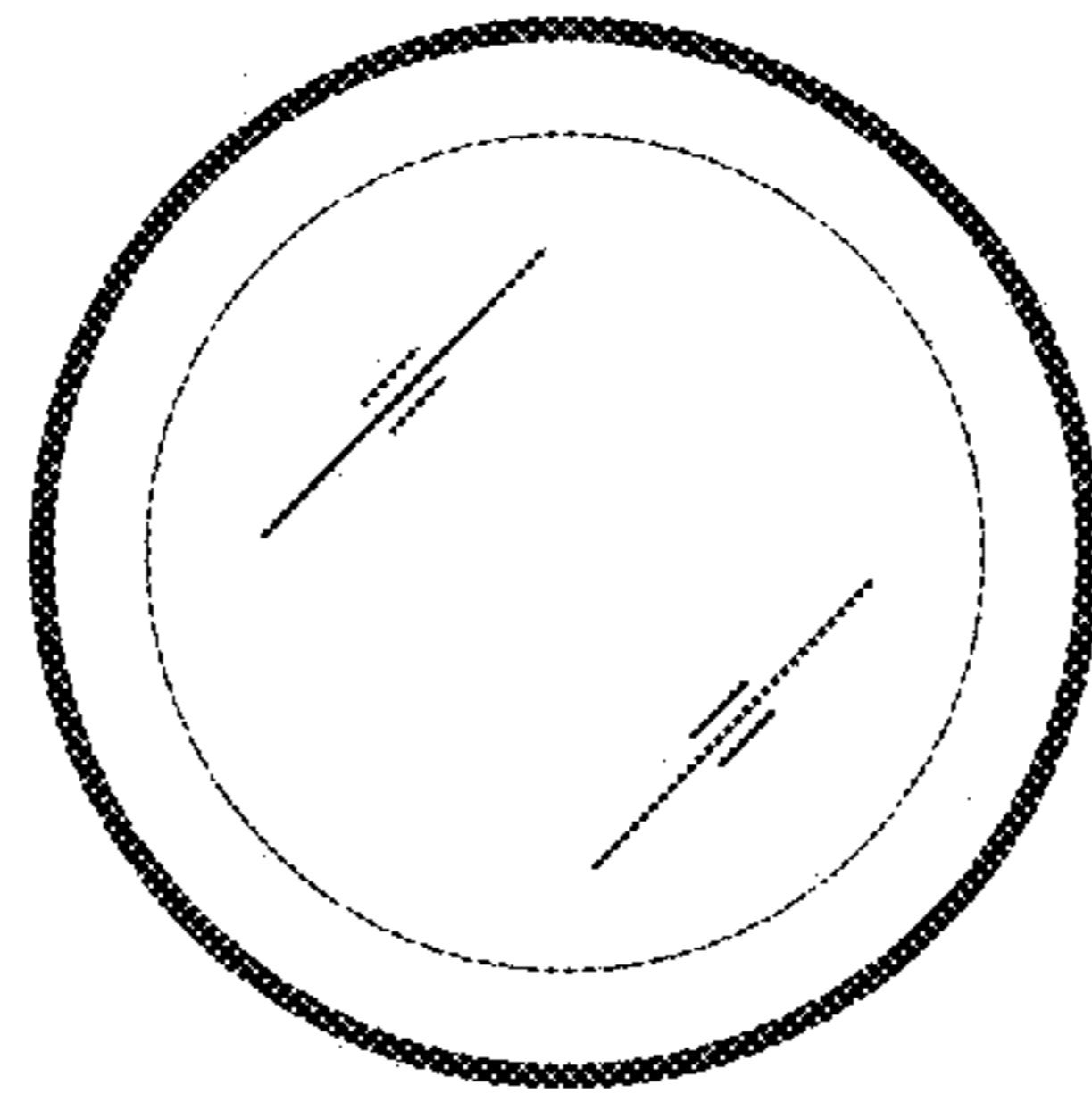


Figure 7