



US00D983036S

(12) **United States Design Patent**
Roemer

(10) **Patent No.:** **US D983,036 S**
(45) **Date of Patent:** **** Apr. 11, 2023**

(54) **SEALING CAP**

(71) Applicant: **GEORG MENSHEN GMBH & CO. KG**, Finnentrop (DE)

(72) Inventor: **Frank Roemer**, Finnentrop (DE)

(73) Assignee: **GEORG MENSHEN GMBH & CO. KG**, Finnentrop (DE)

(**) Term: **15 Years**

(21) Appl. No.: **29/737,234**

(22) Filed: **Jun. 8, 2020**

(30) **Foreign Application Priority Data**

Apr. 10, 2020 (EM) 007803663

(51) **LOC (14) Cl.** **09-07**

(52) **U.S. Cl.**
USPC **D9/452**

(58) **Field of Classification Search**
USPC D7/392.1, 396.2; D9/434, 435, 452-454,
D9/499

CPC ... B65D 51/246; B65D 41/16; B65D 41/0485
See application file for complete search history.

(56) **References Cited**

U.S. PATENT DOCUMENTS

D142,991 S *	11/1945	Derham	D9/454
D512,911 S *	12/2005	Floyd	D9/435
D517,407 S *	3/2006	Floyd	D9/435
D579,332 S *	10/2008	Krivoshein	D9/453
D589,810 S *	4/2009	van der Krogt	D9/435
D656,022 S *	3/2012	Thielman	D9/435
D681,460 S *	5/2013	Kim	D9/443
D684,055 S *	6/2013	Kwon	D9/454
D704,556 S *	5/2014	van den Hoonard	D9/451
D705,061 S *	5/2014	Jo	D9/453

D705,062 S *	5/2014	Jo	D9/453
D710,695 S *	8/2014	Pritikin	D9/435
D770,281 S *	11/2016	Kim	D9/452
D775,952 S *	1/2017	Kim	D9/452
D817,171 S *	5/2018	Patrick	D9/451
D842,699 S *	3/2019	Tamarindo	D9/454
D962,764 S *	9/2022	Gosling	D9/452
D962,765 S *	9/2022	Gosling	D9/452
D962,766 S *	9/2022	Gosling	D9/451
D971,730 S *	12/2022	Gosling	D9/452

OTHER PUBLICATIONS

Menshen at the AMI Plastic Pouches in Barcelona. May 3, 2022.
<https://www.menshen.com/innovation-en/patents-of-the-month/> (Year: 2022).*

* cited by examiner

Primary Examiner — Darcey E Gottschalk

(74) *Attorney, Agent, or Firm* — Norman B. Thot

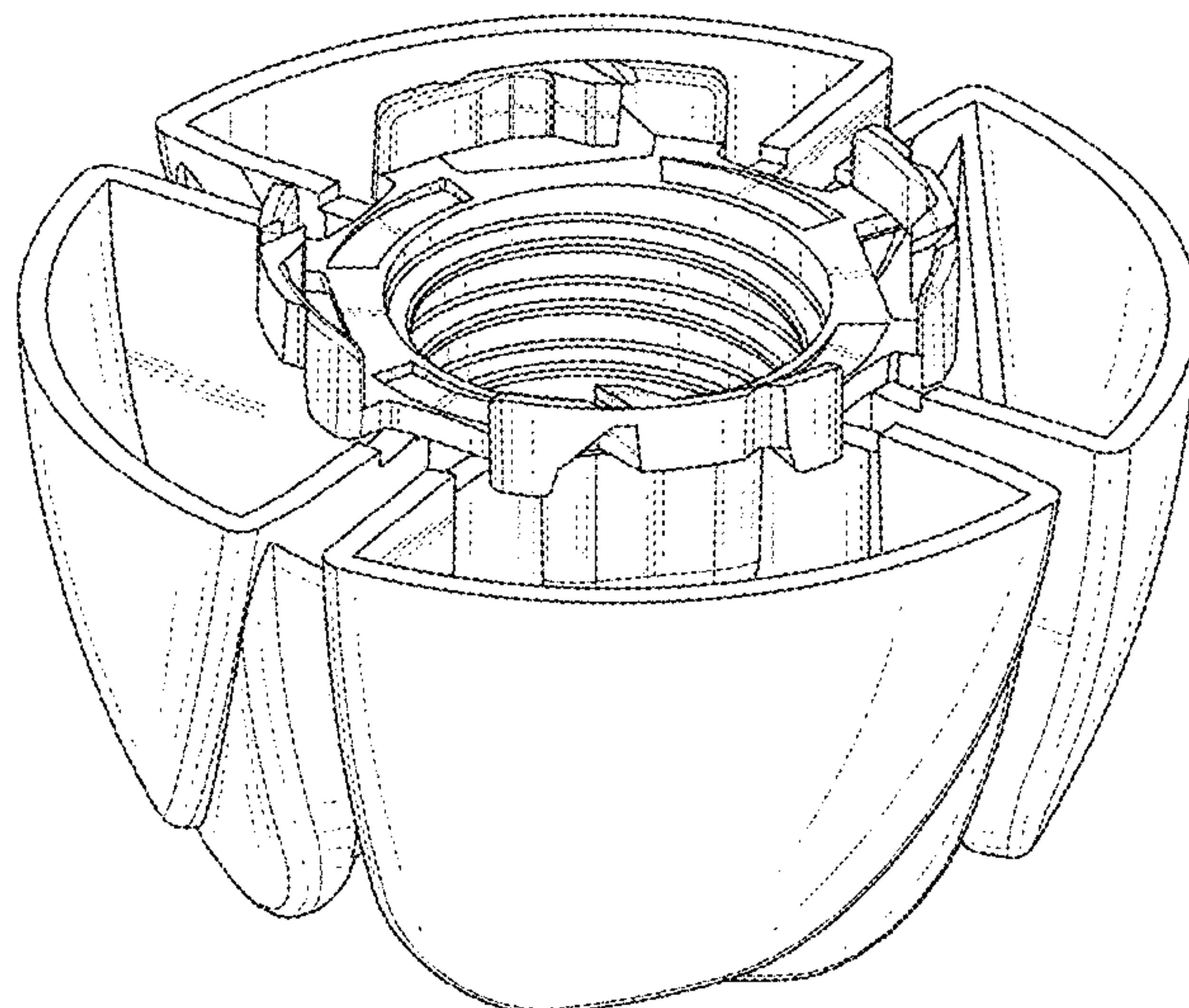
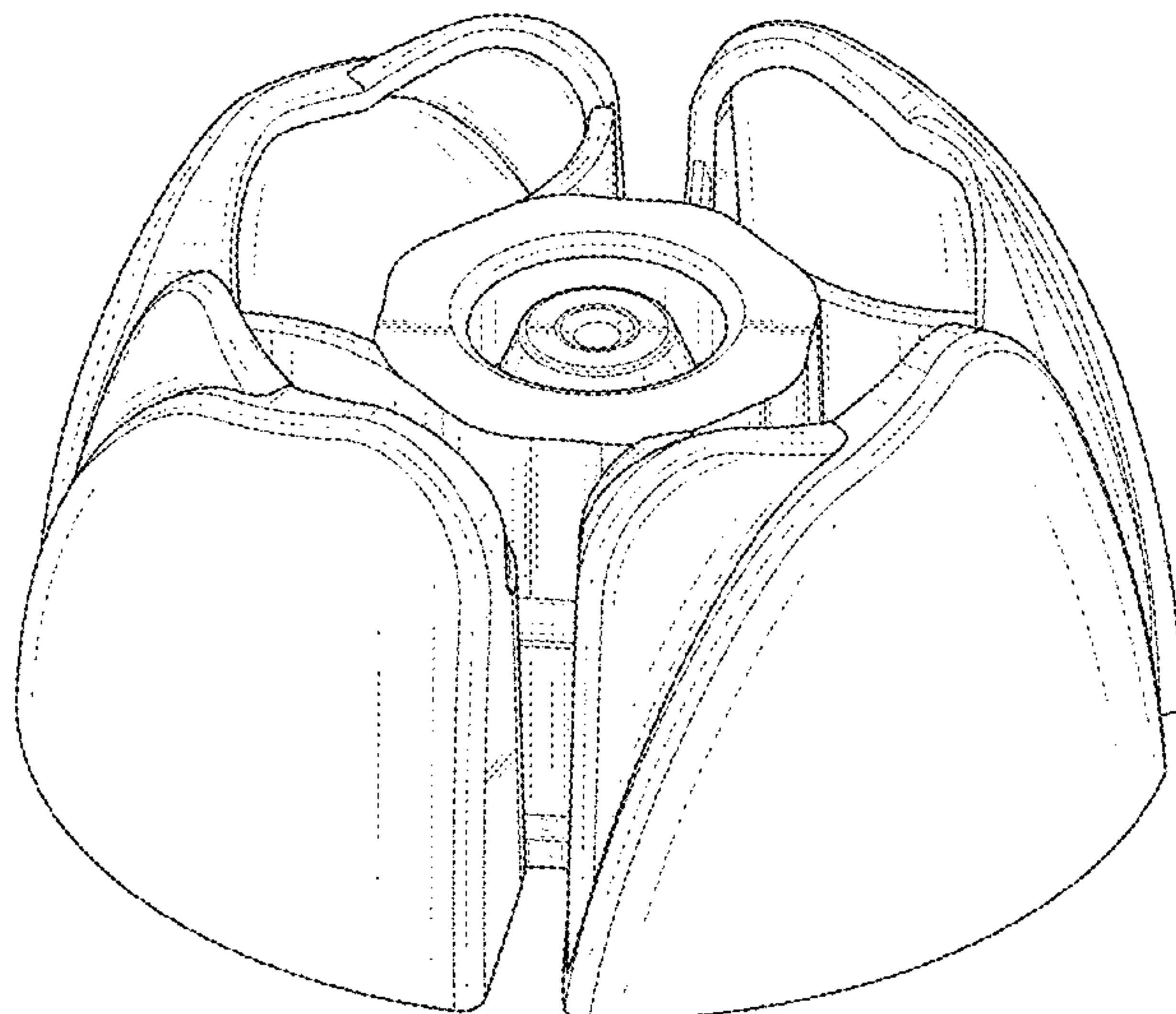
(57) **CLAIM**

The ornamental design for a sealing cap, as shown and described.

DESCRIPTION

FIG. 1 is a top-side perspective view of the sealing cap showing my new design;
FIG. 2 is a first top view thereof;
FIG. 3 is a second top view thereof;
FIG. 4 is a first side view thereof where the sealing cap is in the position shown in FIG. 2;
FIG. 5 is a second side view thereof where the sealing cap is in the position shown in FIG. 3;
FIG. 6 shows a bottom view thereof; and,
FIG. 7 shows a bottom-side perspective view thereof.
The broken lines depict portions of the sealing cap that form no part of the claim.

1 Claim, 7 Drawing Sheets



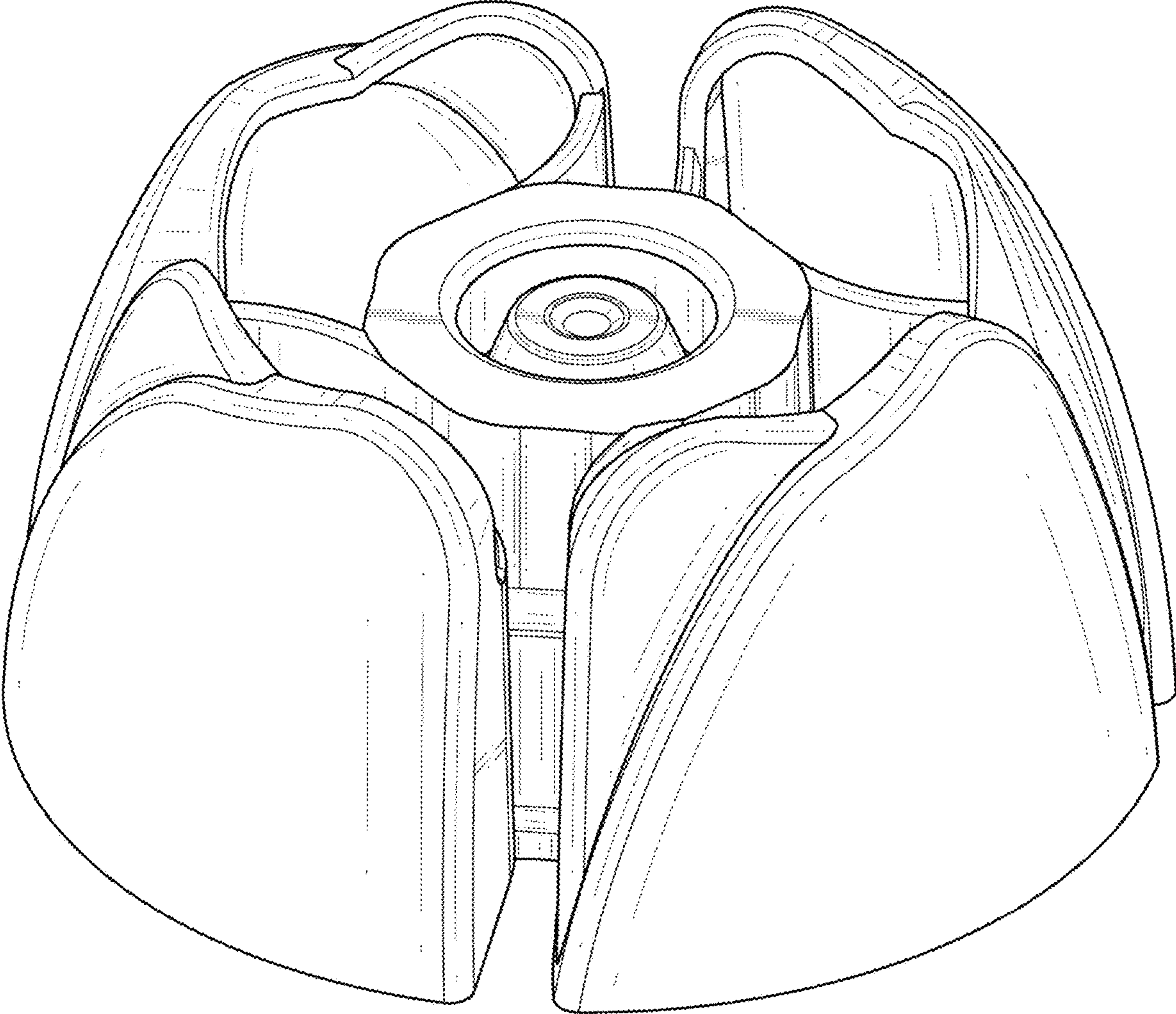


Fig. 1

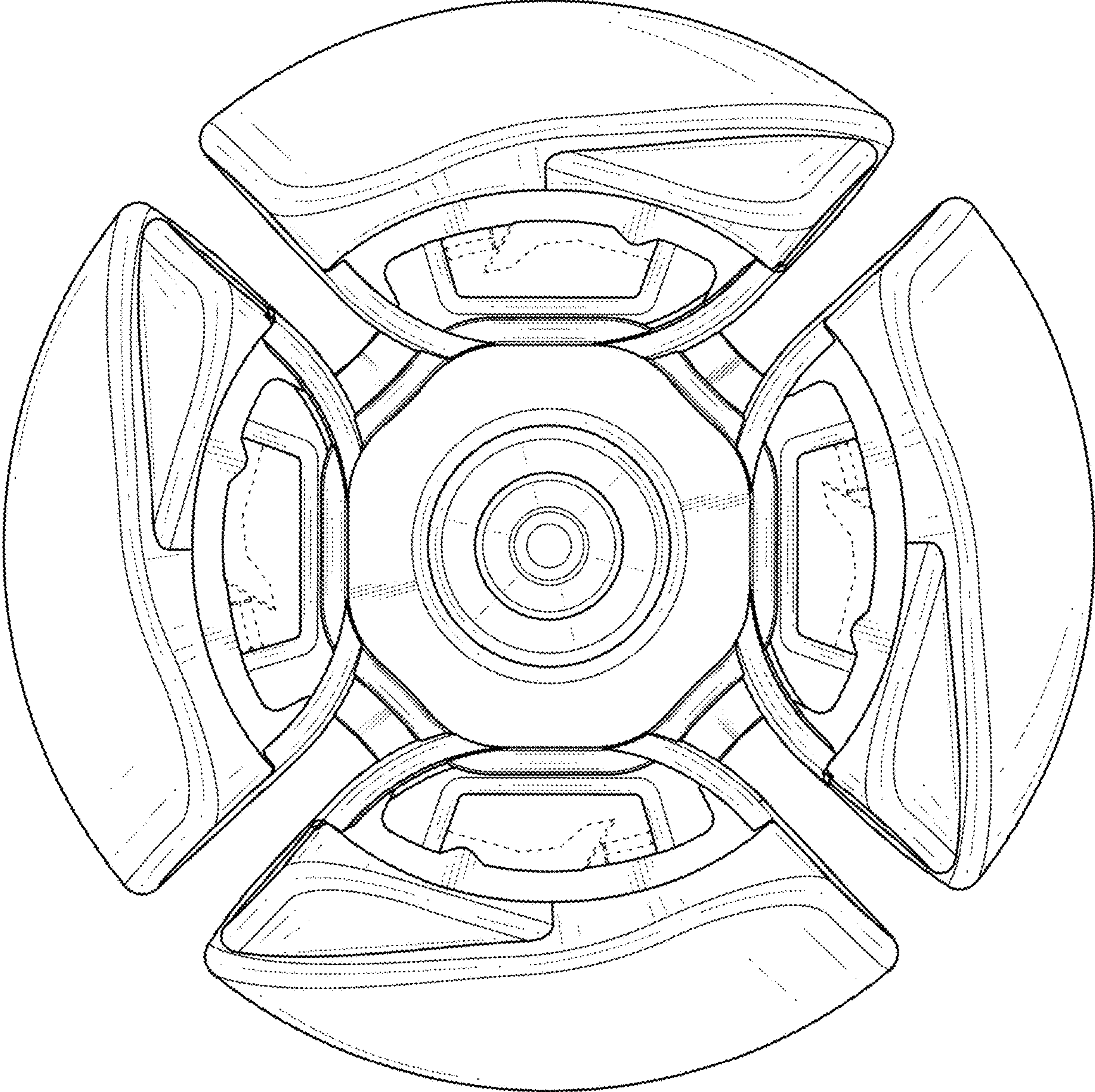


Fig. 2

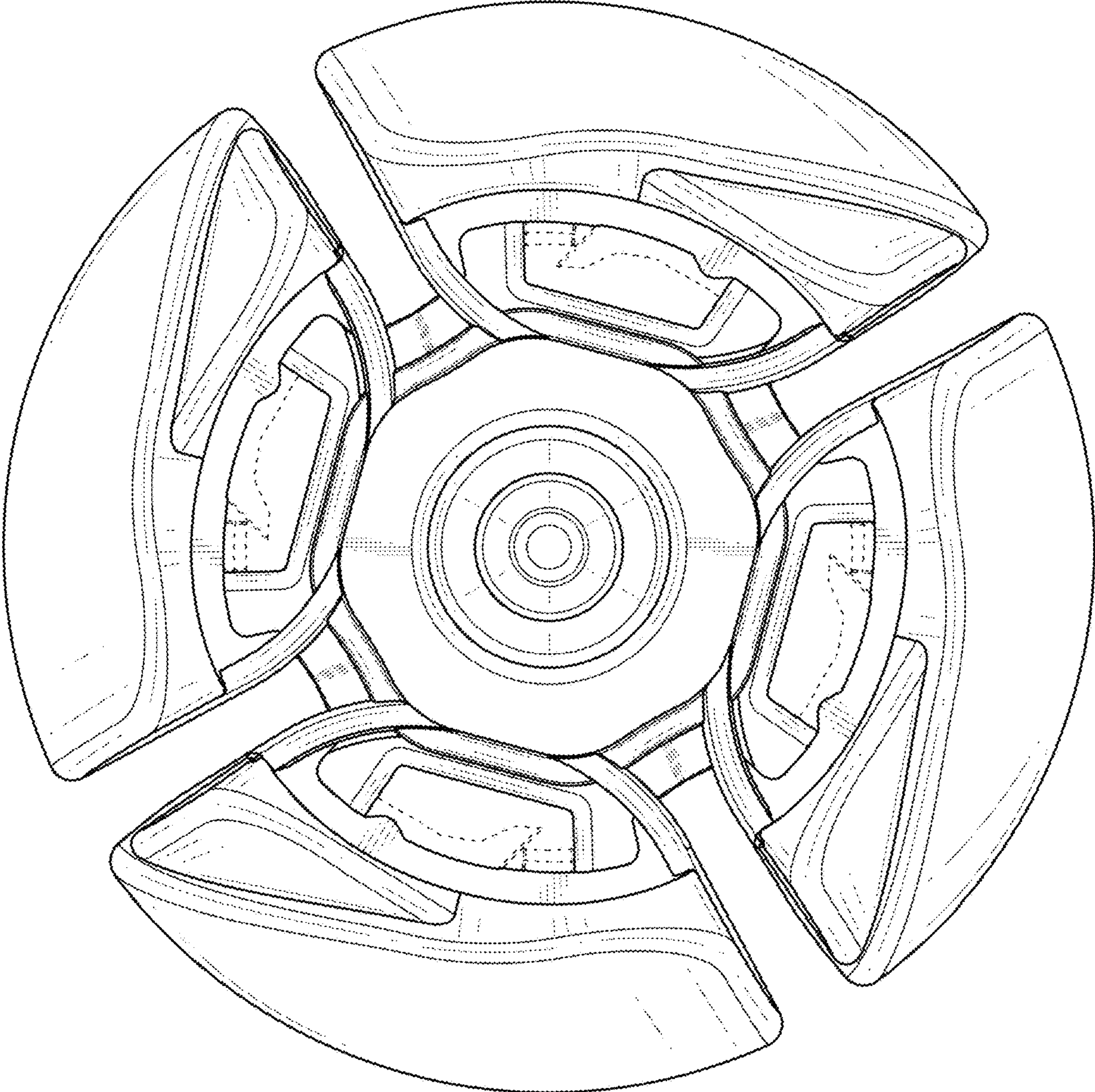


Fig. 3

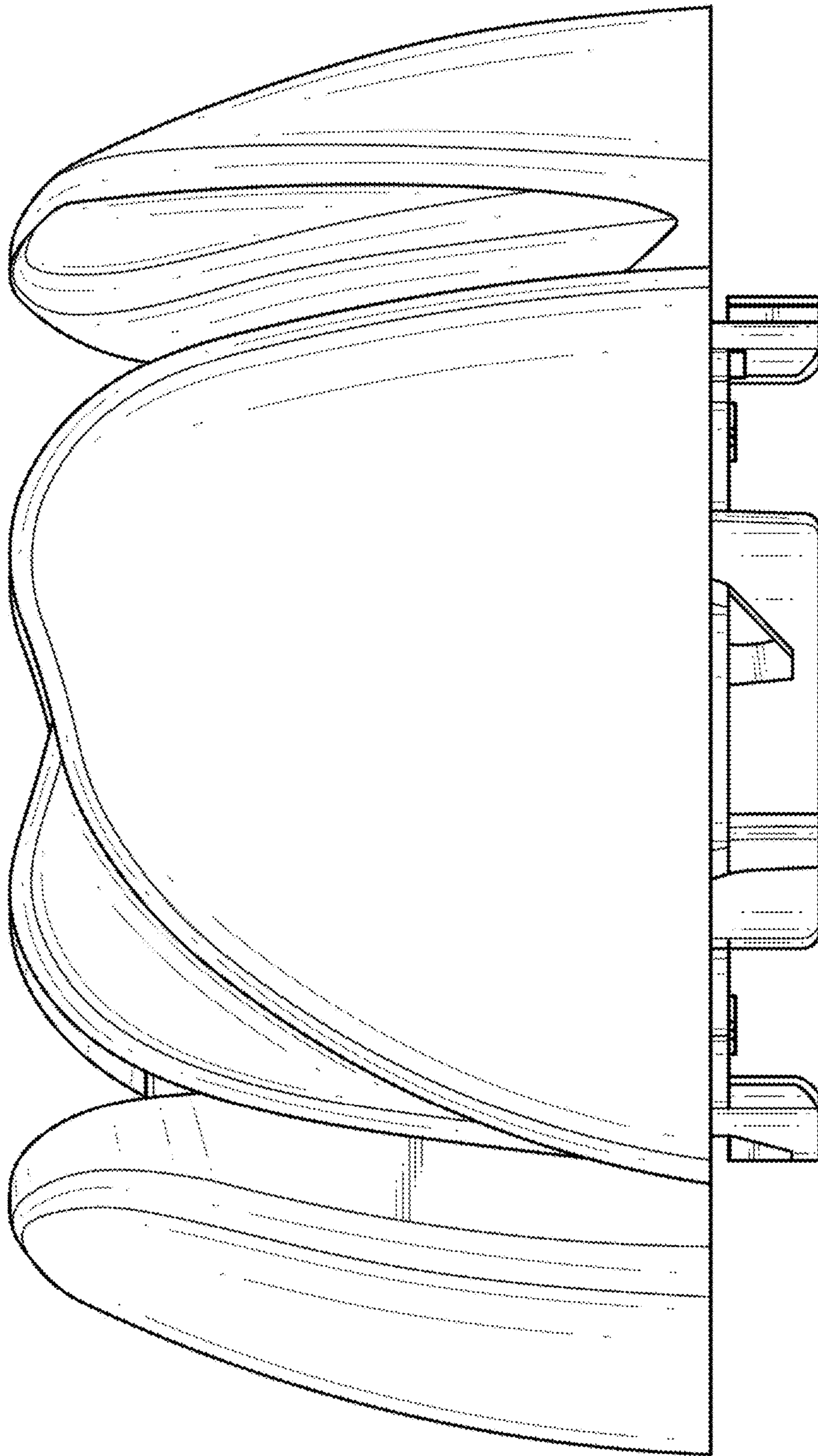


Fig. 4

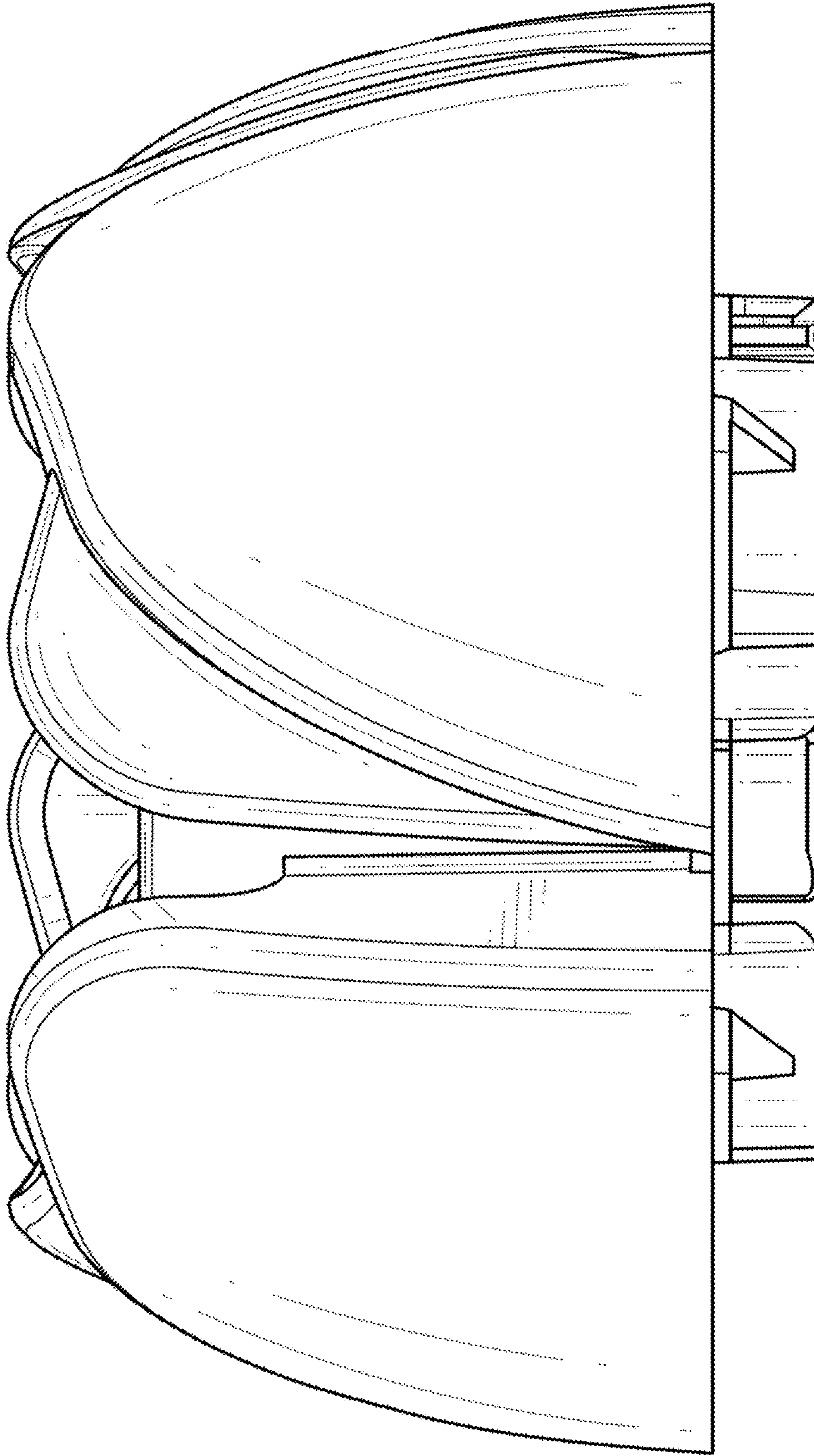


Fig. 5

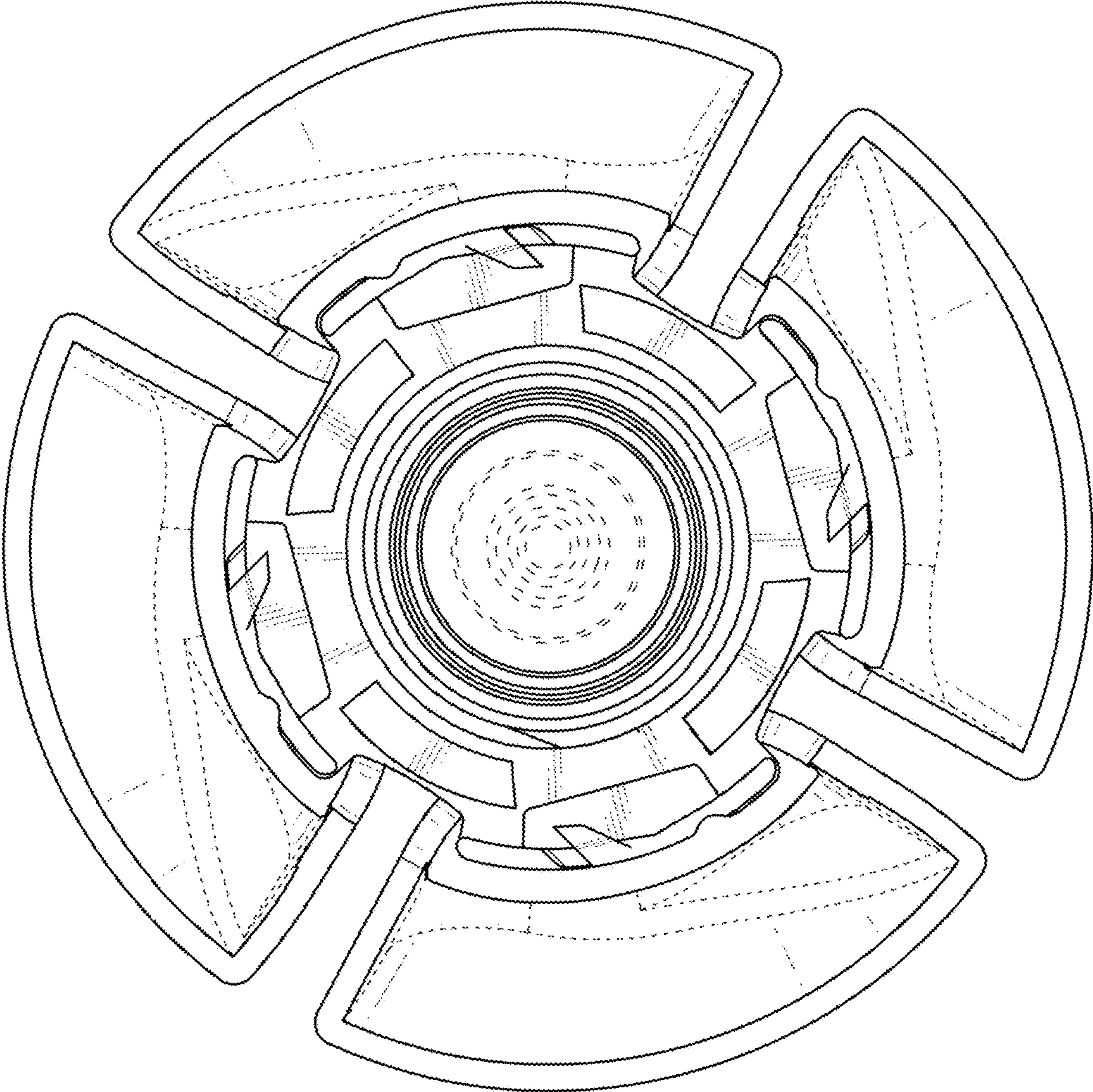


Fig. 6

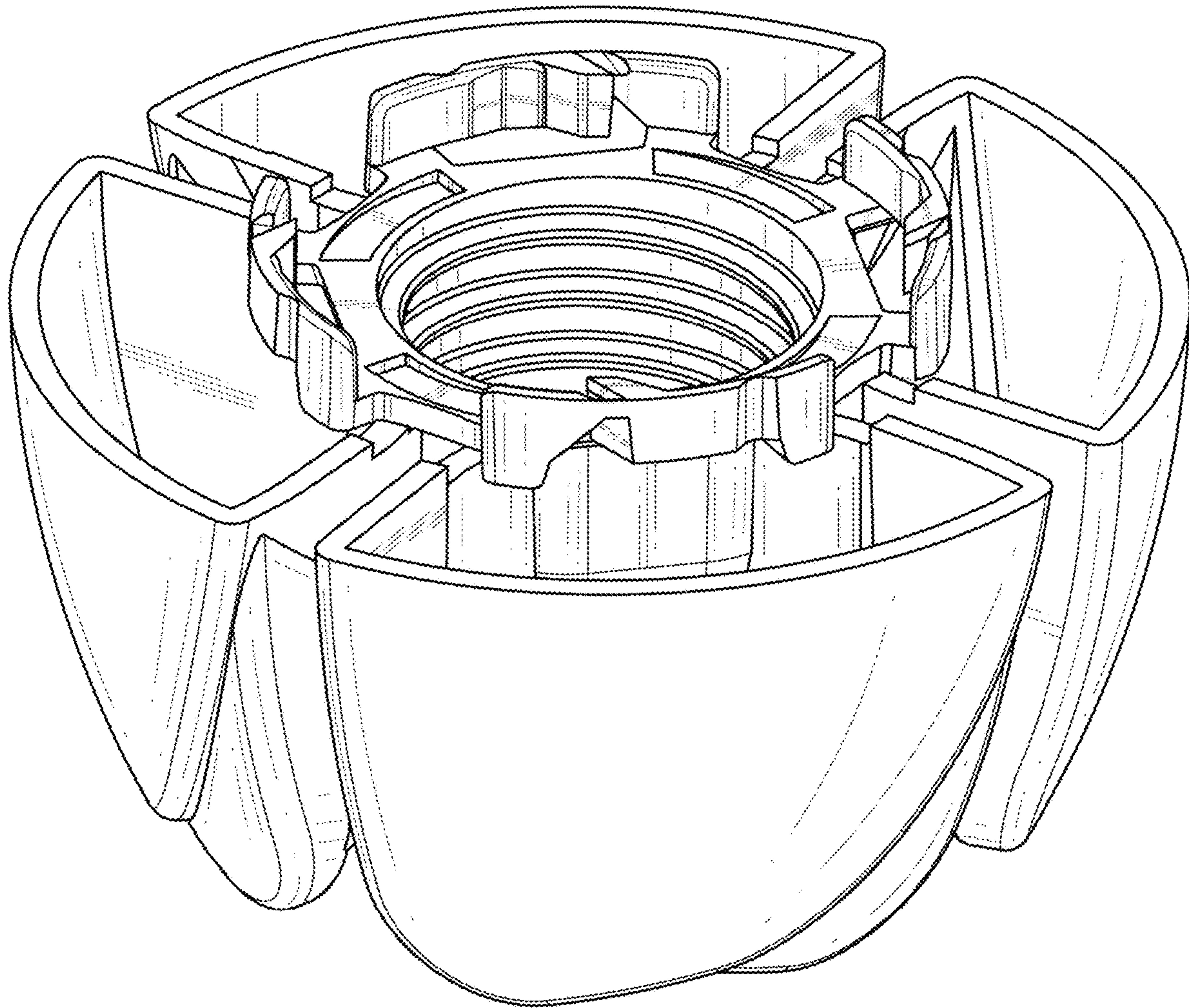


Fig. 7