



US00D983035S

(12) **United States Design Patent** (10) **Patent No.:** **US D983,035 S**
Yang (45) **Date of Patent:** **** Apr. 11, 2023**

(54) **CONTAINER LID**
(71) Applicant: **Chun-Sheng Yang**, Tainan (TW)
(72) Inventor: **Chun-Sheng Yang**, Tainan (TW)
(**) Term: **15 Years**
(21) Appl. No.: **29/788,257**
(22) Filed: **Apr. 19, 2021**
(51) **LOC (14) Cl.** **09-07**
(52) **U.S. Cl.**
USPC **D9/447**; D9/454
(58) **Field of Classification Search**
USPC D7/392.1, 396.2; D9/434–436, 440, 443,
D9/447, 449, 452–454, 499, 438
CPC B65D 41/34; B65D 43/02; B65D 43/14;
B65D 43/26; B65D 47/06; B65D 47/32;
B65D 51/18
See application file for complete search history.

D587,999 S * 3/2009 Schulthess D9/434
D630,094 S * 1/2011 Maxwell D9/454
D910,370 S * 2/2021 Chu D7/392.1
D954,497 S * 6/2022 Roberts D7/392.1

OTHER PUBLICATIONS

ACS Publications. Recent Progress in Amine Gas Sensors for Food Quality Monitoring: Novel Architectures for Sensing Materials and Systems. Aug. 1, 2022. <https://pubs.acs.org/doi/10.1021/acssensors.2c00639> (Year: 2022).*
Amazon. Silicone Stretch Lids (12 Pack, 2 Color), Zero Waste Reusable Silicon Container Lid for Cover Leftover Food and Fruit or Bowl (Blue and White). Oct. 9, 2018. <https://www.amazon.com/Silicone-Stretch-Reusable-Container-Leftover/dp/B07J6QLTF1?th=1> (Year: 2018).*
Domo Industry. Microwave Safe Container with Vent Lid. No date specified. <https://www.domoindustry.com/products/microwave-safe-container-with-vent-lid/> (Year: 0).*

* cited by examiner

Primary Examiner — Darcey E Gottschalk

(56) **References Cited**

U.S. PATENT DOCUMENTS

D233,137 S * 10/1974 Brincks D9/438
D238,336 S * 1/1976 Gane D9/438
D238,338 S * 1/1976 Gane D9/438
D239,257 S * 3/1976 Balocca D9/438
D266,818 S * 11/1982 Trombly D7/392.1
D279,759 S * 7/1985 Cesaroni D7/391
D314,514 S * 2/1991 Ten Eyck D9/435
D315,872 S * 4/1991 Bixler D9/446
D319,982 S * 9/1991 Matthews D34/39
D323,116 S * 1/1992 Dart D9/454
D346,718 S * 5/1994 Timmermans D9/449
D359,687 S * 6/1995 Arshinoff D9/447
D368,223 S * 3/1996 Williamson D9/435
D384,280 S * 9/1997 Kuczer D9/436
D407,975 S * 4/1999 Lund D9/434
D432,857 S * 10/2000 Ming-Shiue D7/392.1

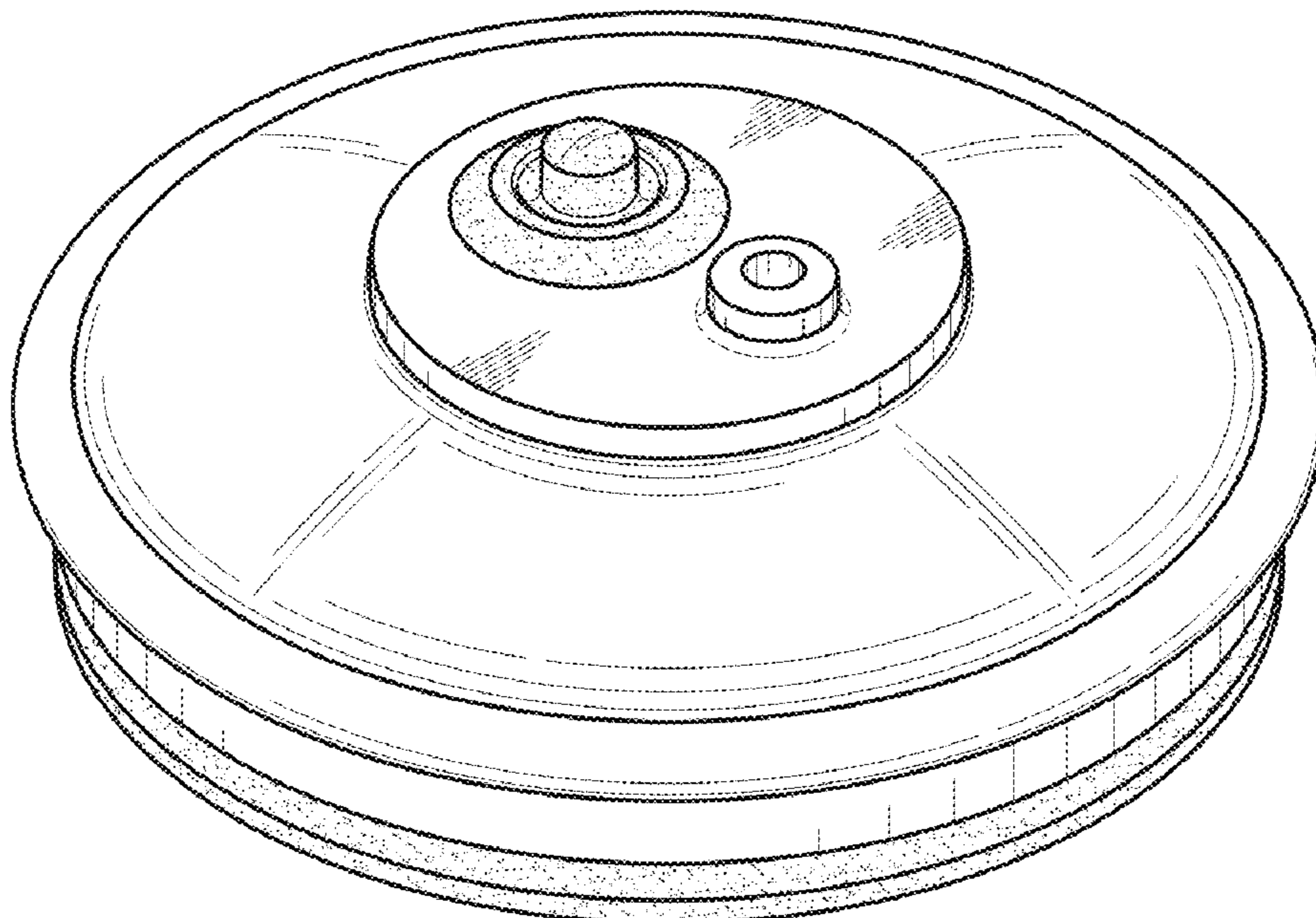
(57) **CLAIM**

The ornamental design for a container lid, as shown and described.

DESCRIPTION

FIG. 1 is a perspective view of a container lid showing my design;
FIG. 2 is a front elevational view thereof;
FIG. 3 is a rear elevational view thereof;
FIG. 4 is a left side elevational view thereof;
FIG. 5 is a right side elevational view thereof;
FIG. 6 is a top plan view thereof; and,
FIG. 7 is a bottom plan view.
The broken lines depict portions of the container lid that form no part of the claim.

1 Claim, 7 Drawing Sheets



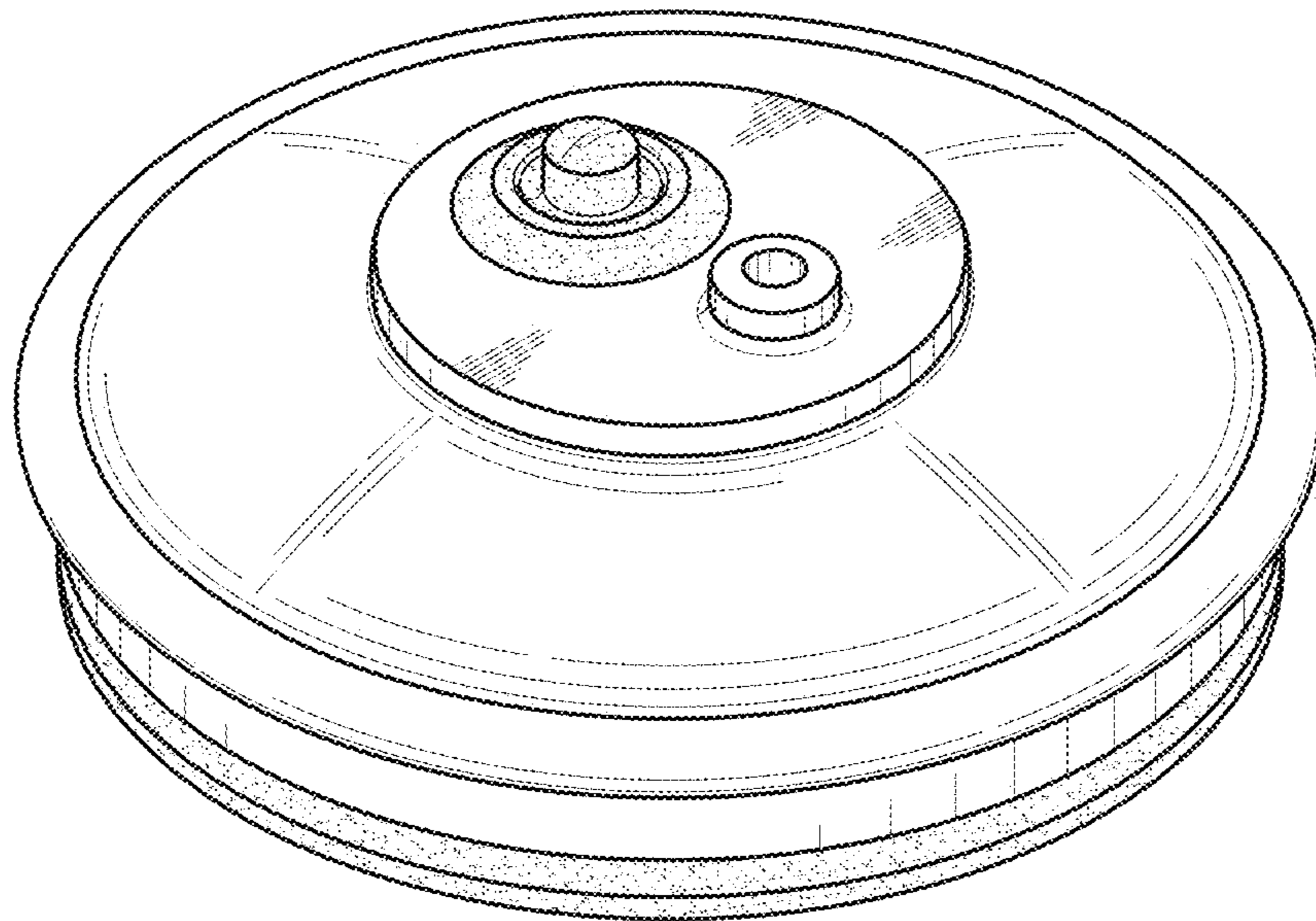


FIG. 1

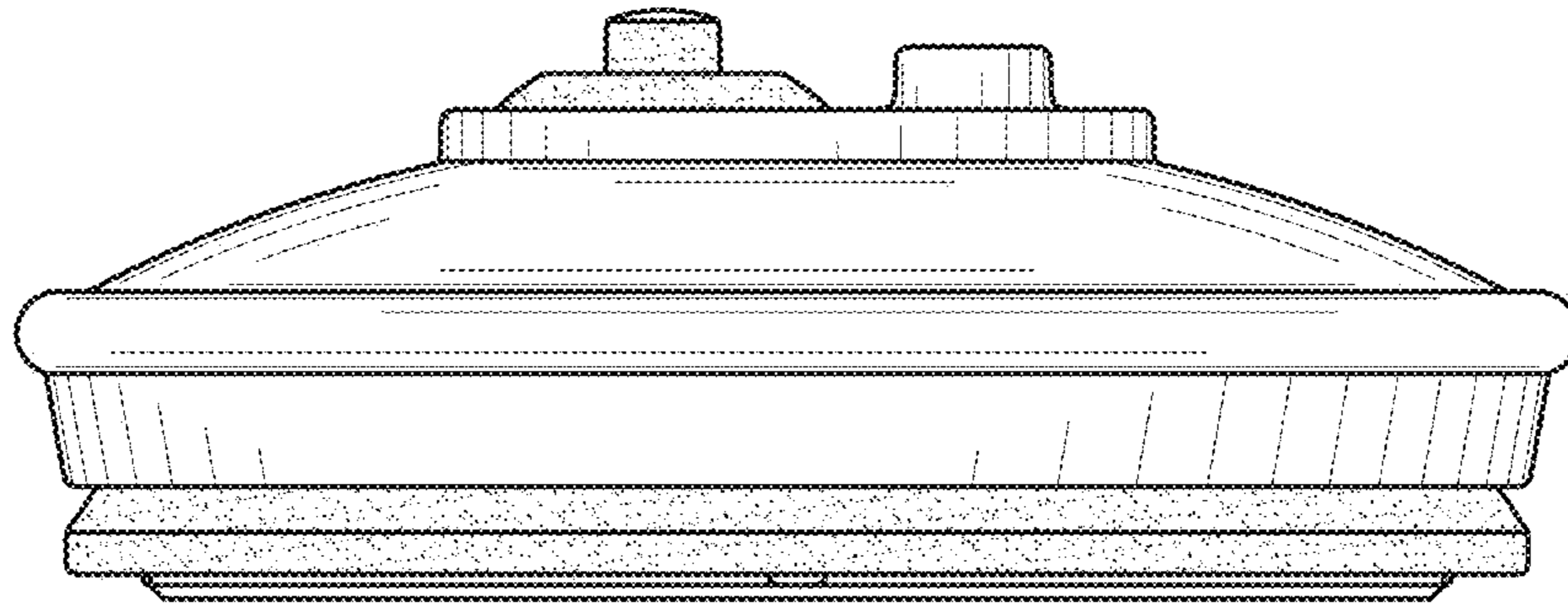


FIG.2

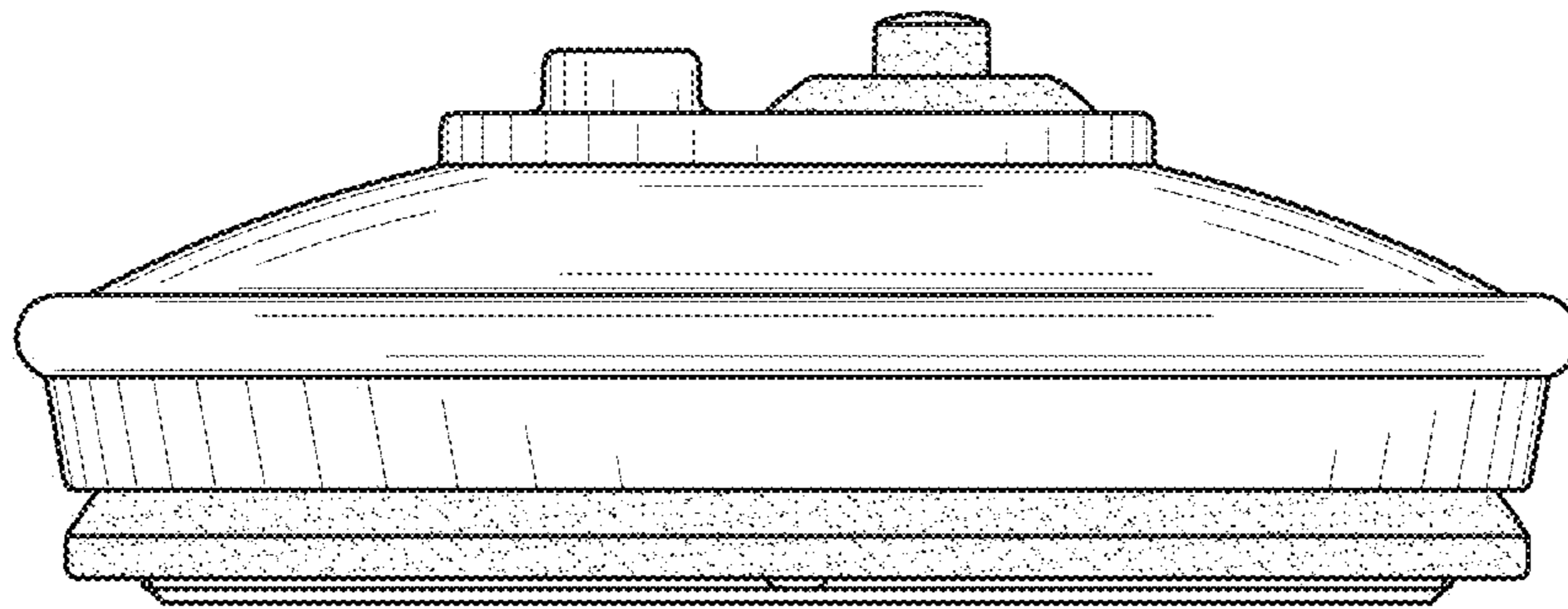


FIG.3

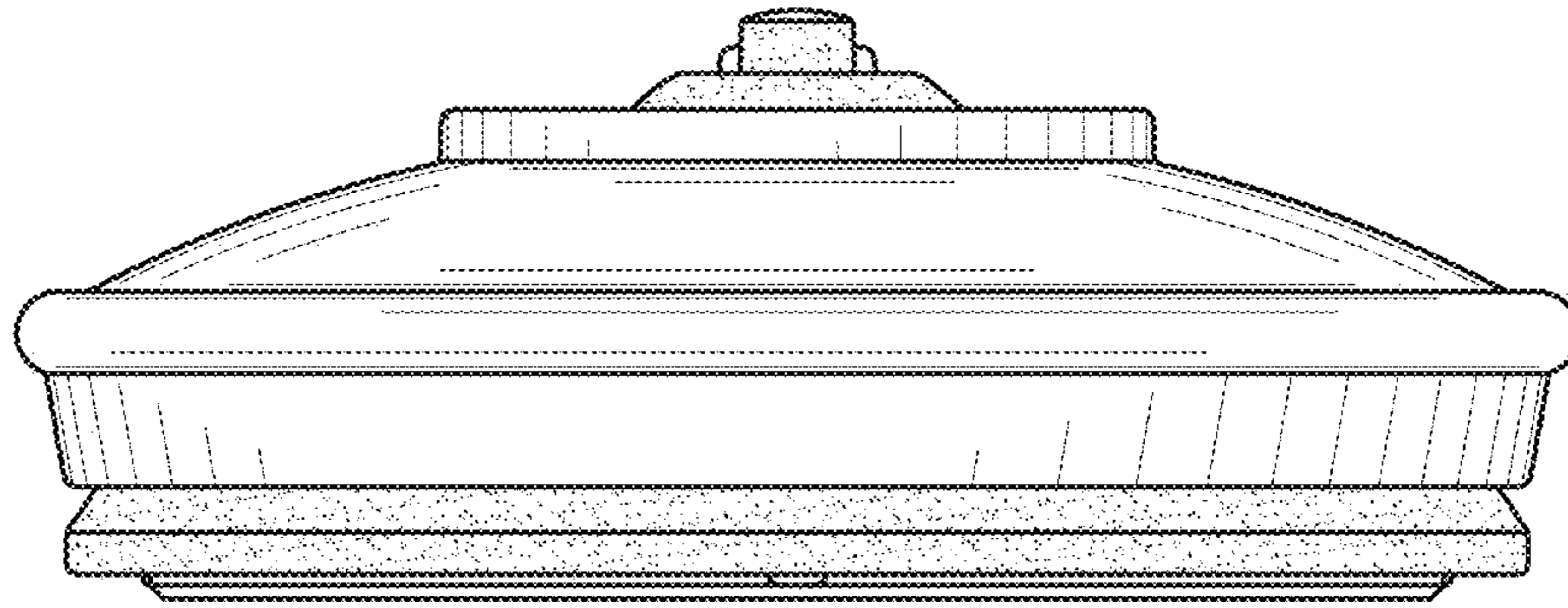


FIG.4

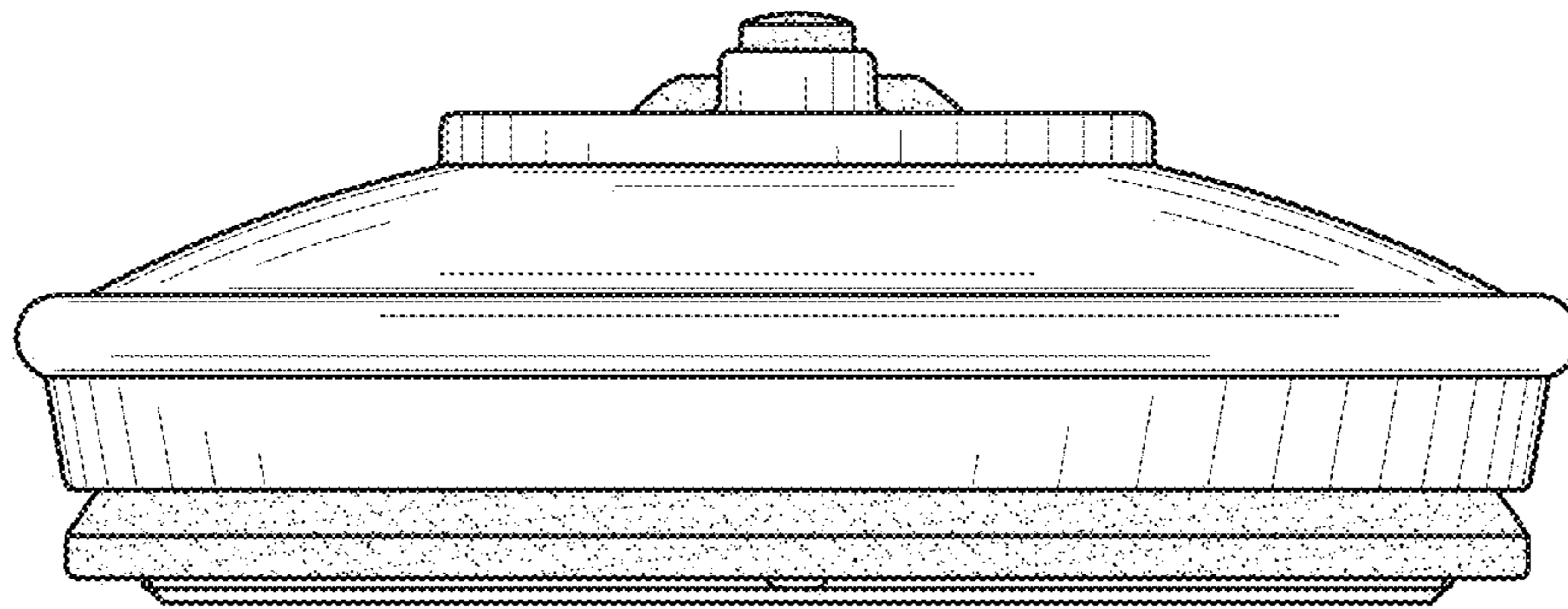


FIG.5

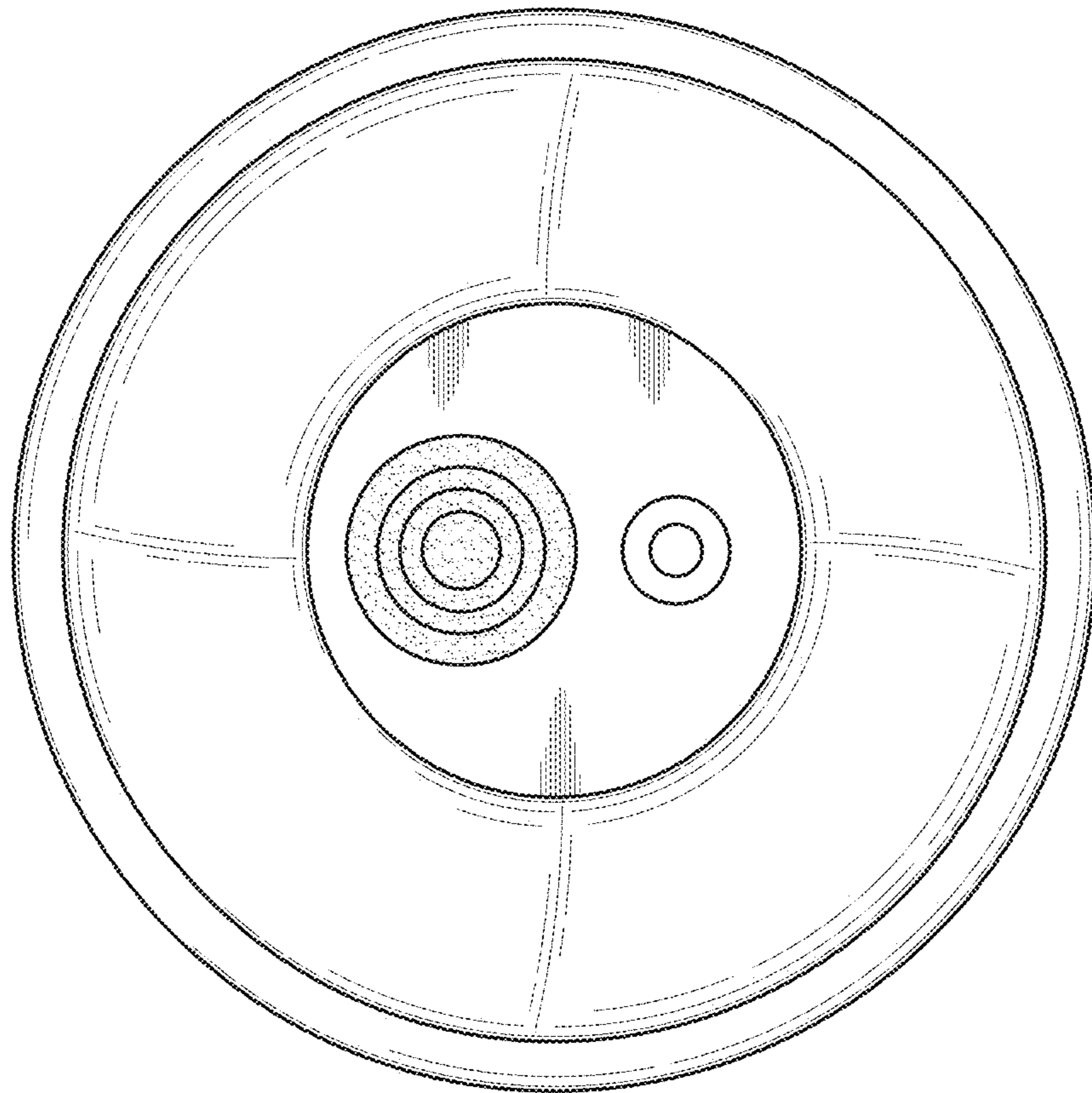


FIG.6

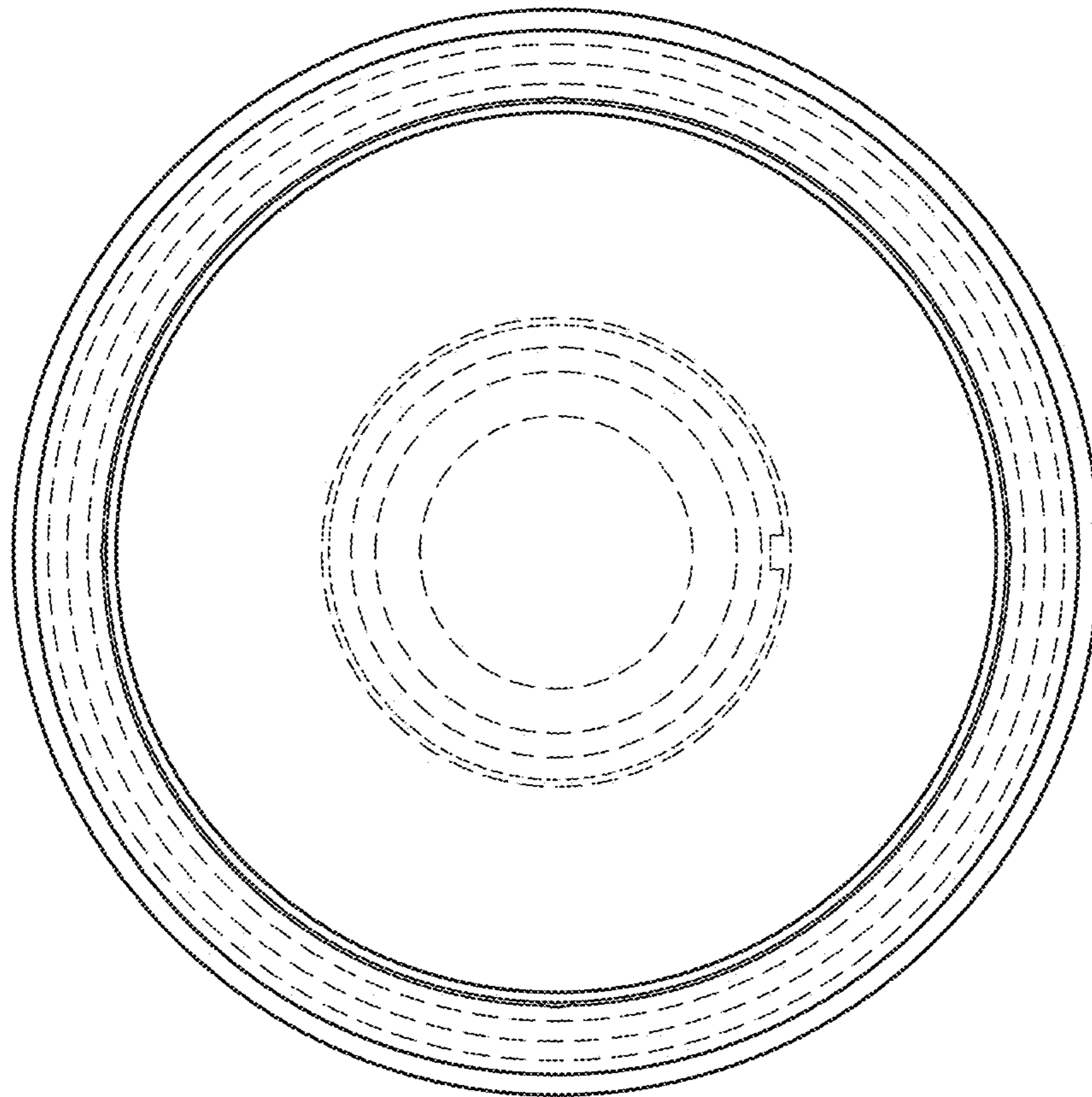


FIG. 7