



US00D983034S

(12) **United States Design Patent** (10) **Patent No.:** **US D983,034 S**
Azelton et al. (45) **Date of Patent:** **** Apr. 11, 2023**

(54) **DISPENSING CAP**

(71) Applicant: **THE CLOROX COMPANY**, Oakland, CA (US)

(72) Inventors: **Kerry D. Azelton**, Pleasanton, CA (US); **Aaron J. Chun**, Pleasanton, CA (US); **Hyun Jin Ko**, Pleasanton, CA (US)

(73) Assignee: **The Clorox Company**, Oakland, CA (US)

(**) Term: **15 Years**

(21) Appl. No.: **29/773,596**

(22) Filed: **Mar. 10, 2021**

(51) **LOC (14) Cl.** **09-07**

(52) **U.S. Cl.**
USPC **D9/447**

(58) **Field of Classification Search**
USPC D7/387, 391, 392.1, 396.1, 396.2, 396.6, D7/388, 402, 403; D9/414, 415, 434, D9/435, 436, 438, 439, 440, 442, 443, D9/445, 446, 448, 449, 452, 453, 454, D9/455, 456, 499, 503, 504, 549, 558, D9/679, 721, 761; D3/201, 273, 318, D3/319, 323; D23/209, 258, 259, 260, D23/261; D24/127, 162, 193, 194, 197, D24/199, 224, 227; D28/91.1; D21/532; D8/379

CPC B25B 13/5008; B25B 15/008; B65D 1/02; B65D 1/0233; B65D 1/08; B65D 1/10; B65D 41/14; B65D 41/16; B65D 41/3428; B65D 55/16; B65D 43/169; B65D 43/26; B65D 43/08; B65D 2543/00972; B65D 2525/285; B65D 2525/286; B65D 2525/287; B65D 2525/288; B65D 53/02; A47G 19/24; B67D 3/00; A24F 40/00

See application file for complete search history.

(56) **References Cited**

U.S. PATENT DOCUMENTS

D117,843 S *	11/1939	Smith	D9/502
D422,101 S *	3/2000	Barraclough	D26/9
D433,944 S *	11/2000	Bernard	D9/558
D446,728 S *	8/2001	Bakic	D9/558
D550,078 S *	9/2007	Henry	D9/435
D575,108 S *	8/2008	Barducci	D7/509

(Continued)

OTHER PUBLICATIONS

Silicone Champagne Stoppers: Site Vistied (Sep. 25, 2022). Available from URL: <https://www.pulltex.com/en/silicone-champagne-stoppers-2pcs-109504.html>.*

(Continued)

Primary Examiner — Catherine S Posthauer

(74) *Attorney, Agent, or Firm* — Edell, Shapiro & Finnan, LLC

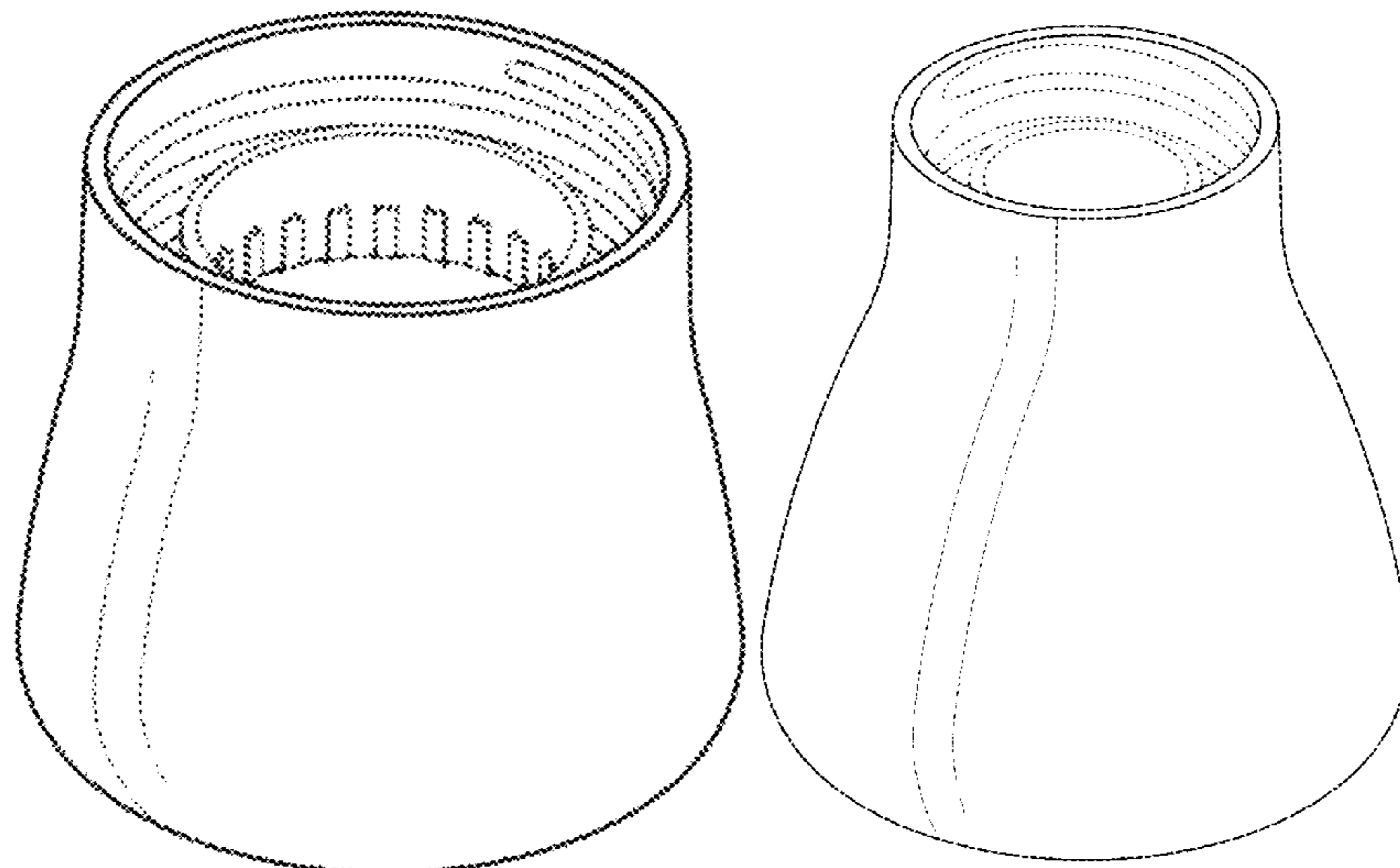
(57) **CLAIM**

The ornamental design for a dispensing cap, as shown and described.

DESCRIPTION

FIG. 1 is a perspective view of a first embodiment of a dispensing cap, showing our new design;
FIG. 2 is a top view thereof;
FIG. 3 is a bottom view thereof;
FIG. 4 is a left side view, with each of the right, front, and back views being a mirror image thereof;
FIG. 5 is a perspective view of a second embodiment of a dispensing cap, showing our new design;
FIG. 6 is a top view thereof;
FIG. 7 is a bottom view thereof; and,
FIG. 8 is a left side view, with each of the right, front, and back views being a mirror image thereof.
The broken lines are shown for the purpose of illustrating parts of the article that form no part of the claimed design.

1 Claim, 6 Drawing Sheets



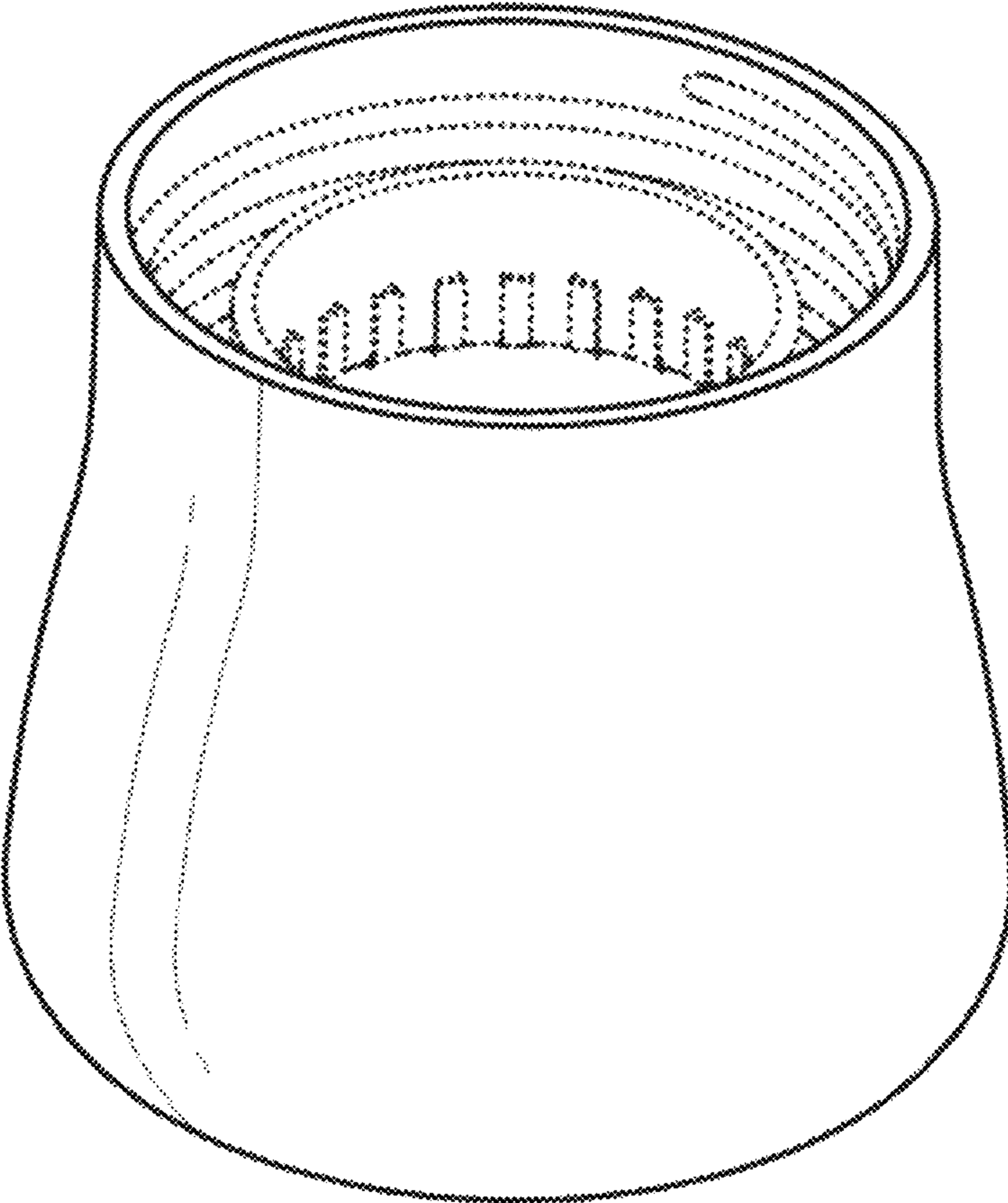


FIG. 1

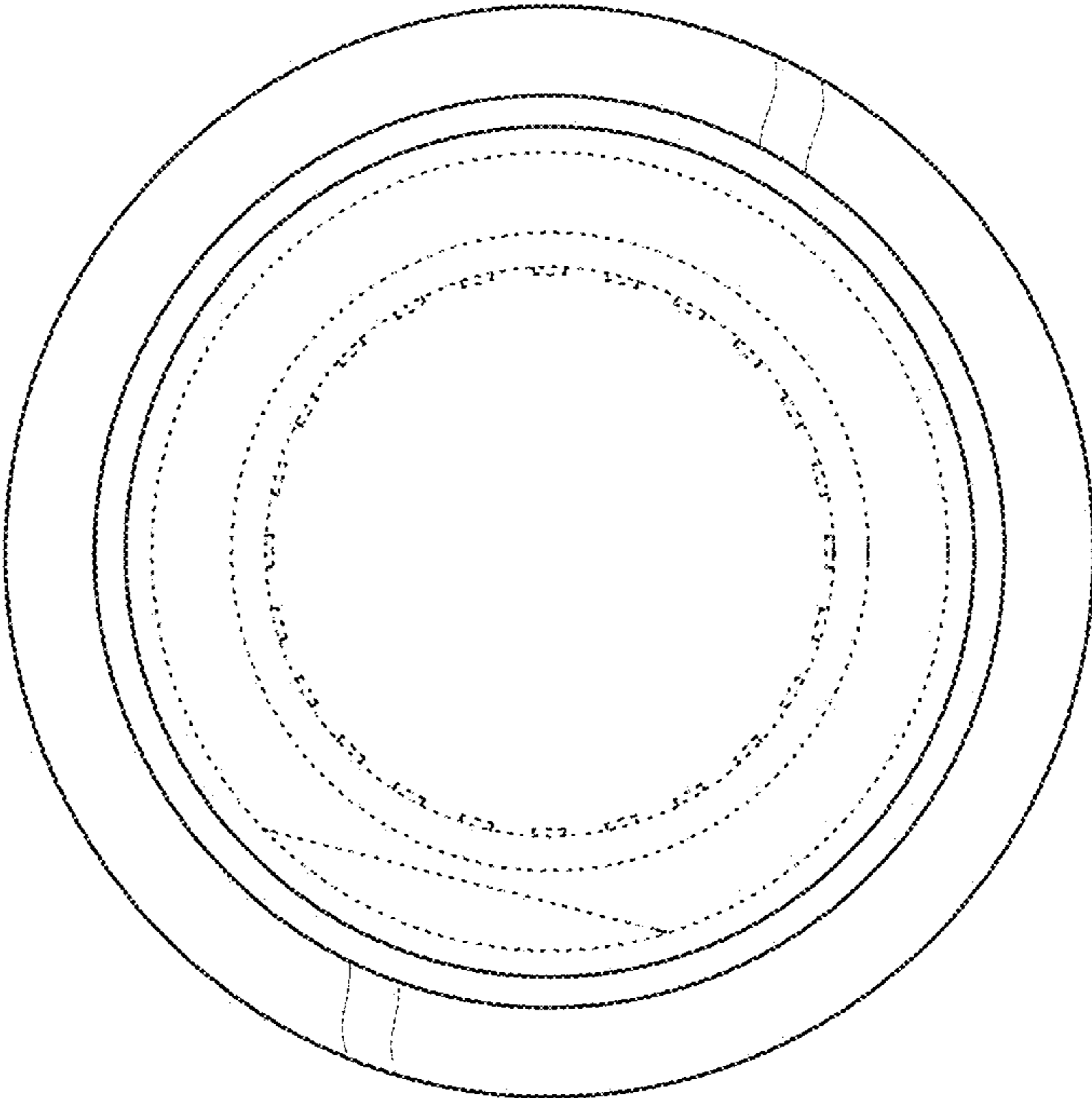


FIG. 2

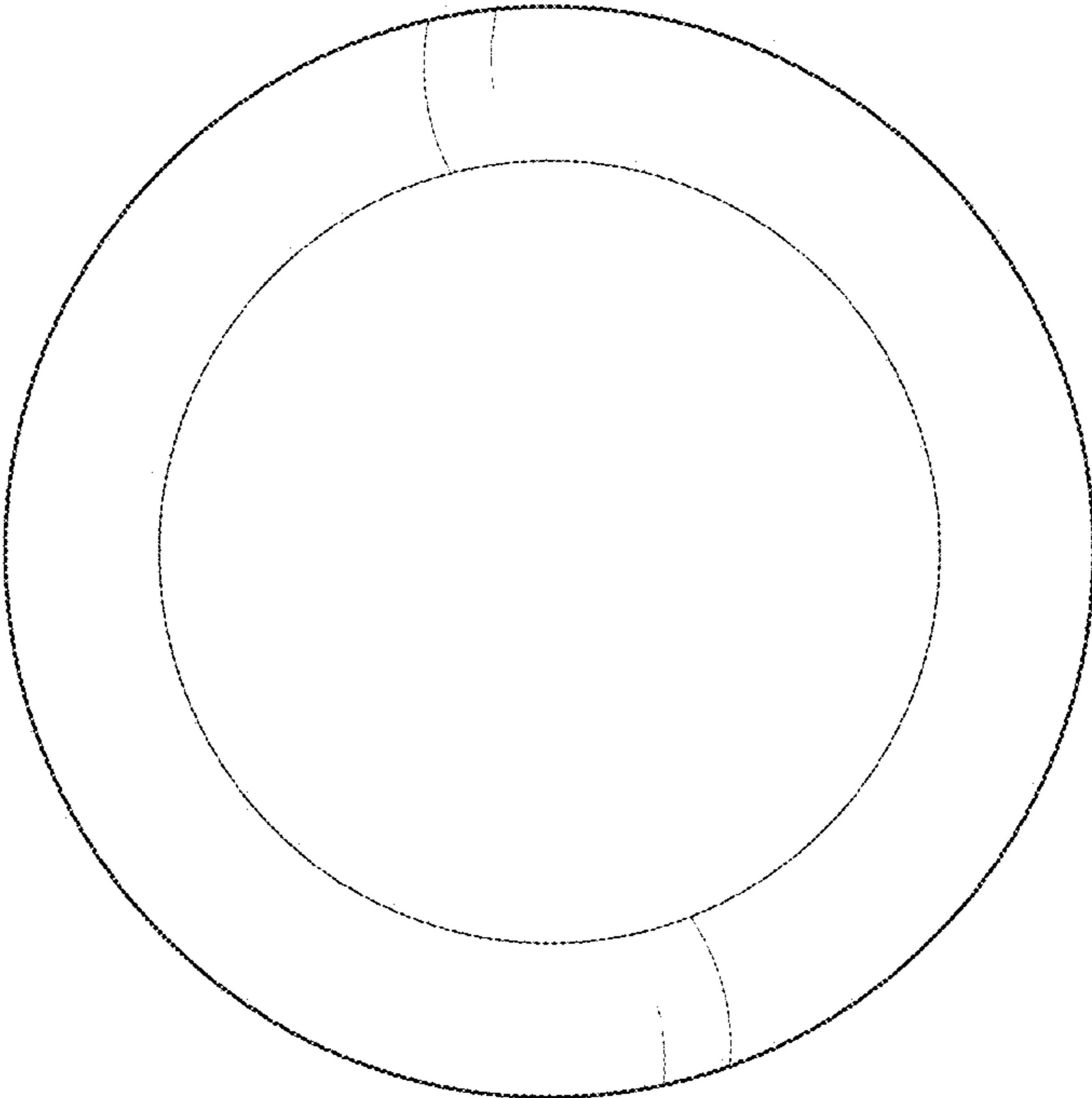


FIG. 3

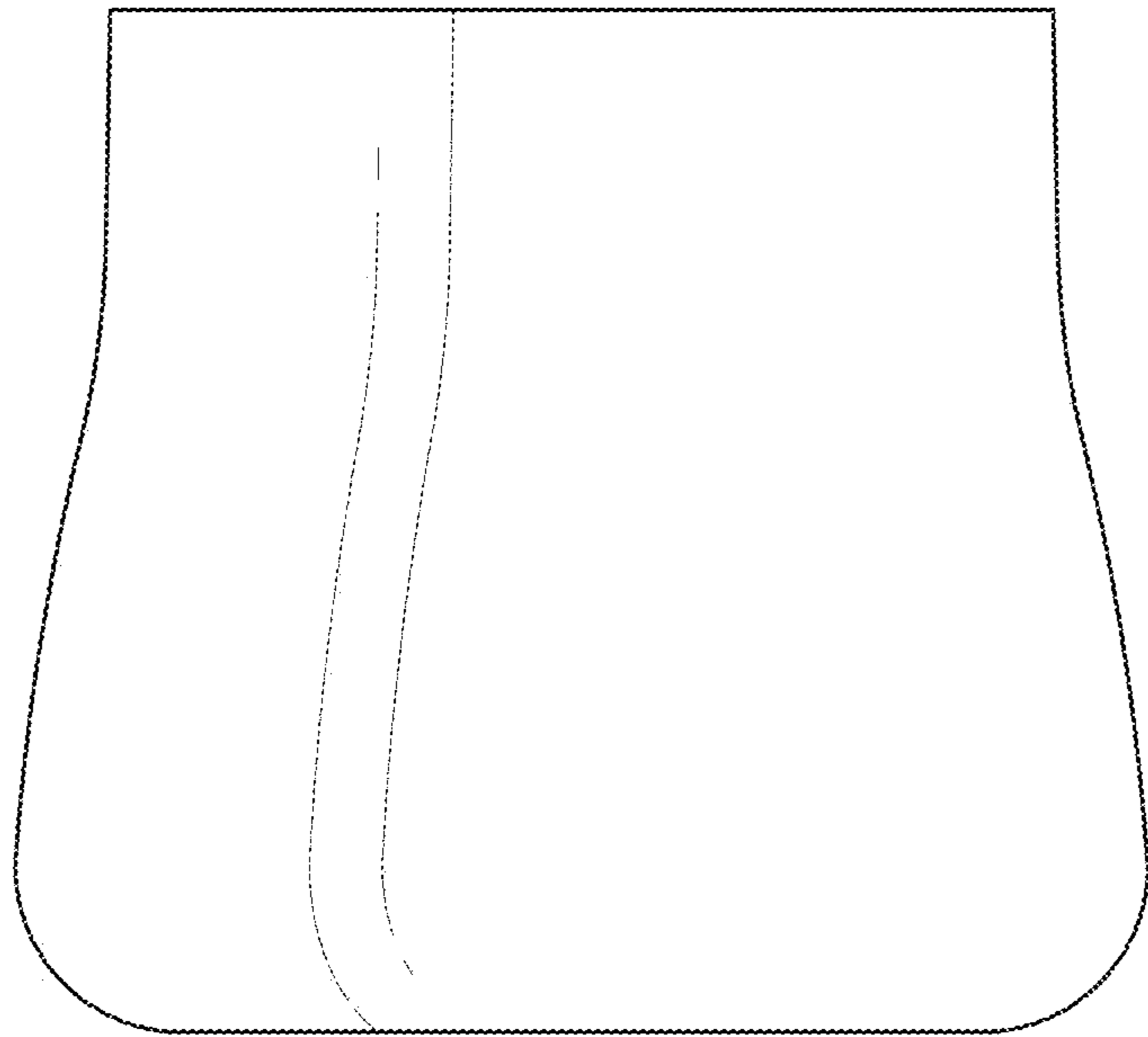


FIG. 4

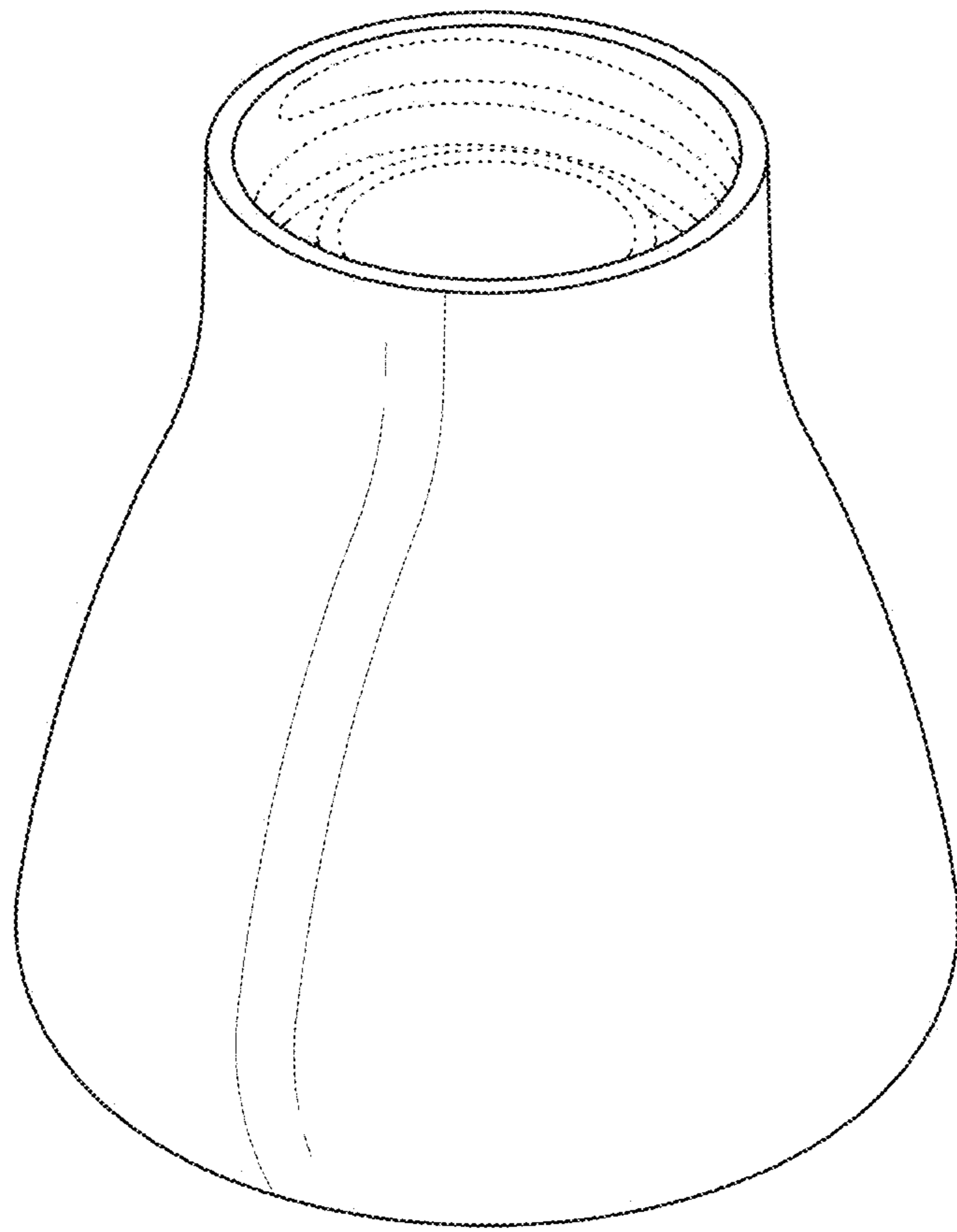


FIG. 5

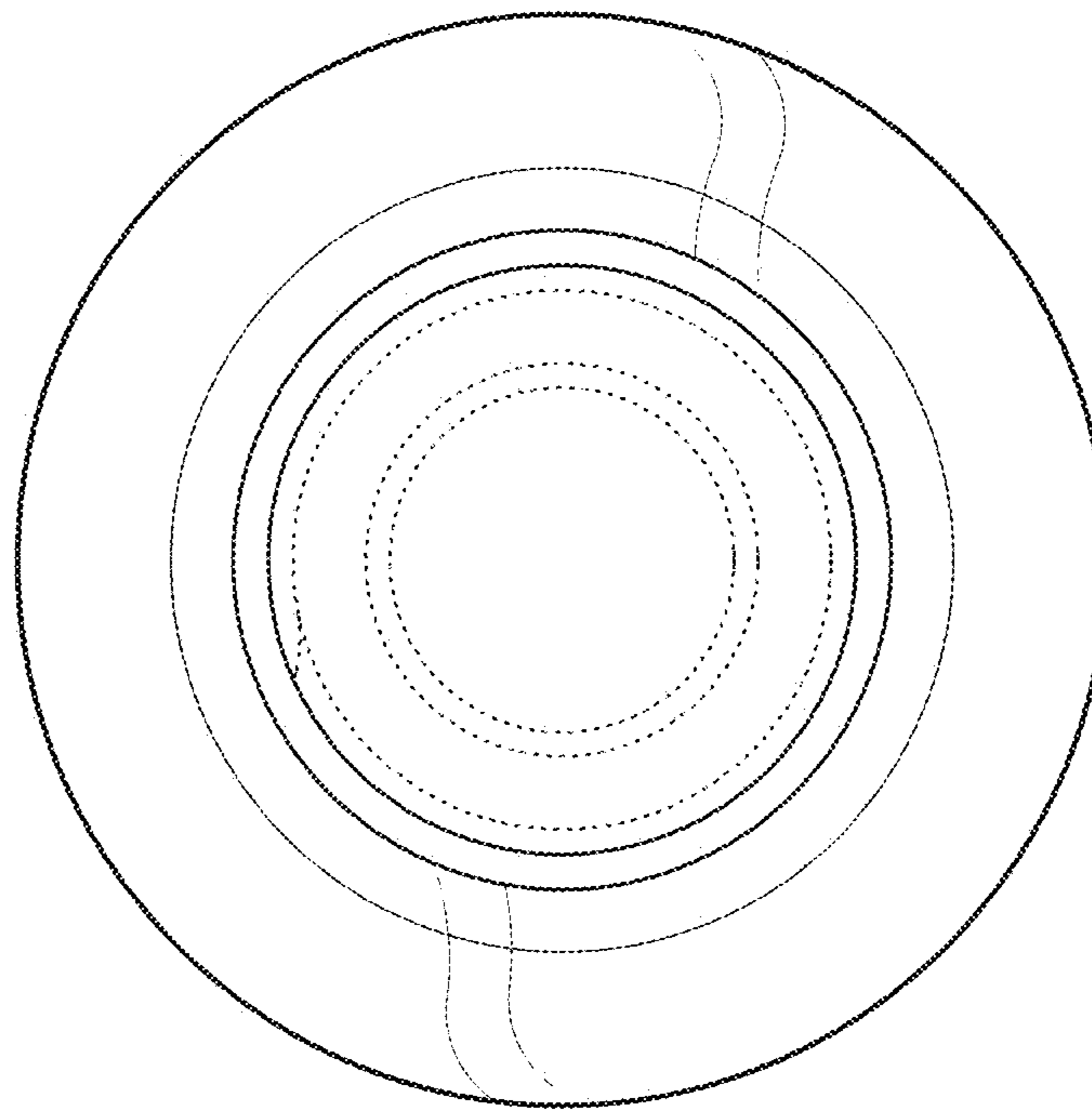


FIG. 6

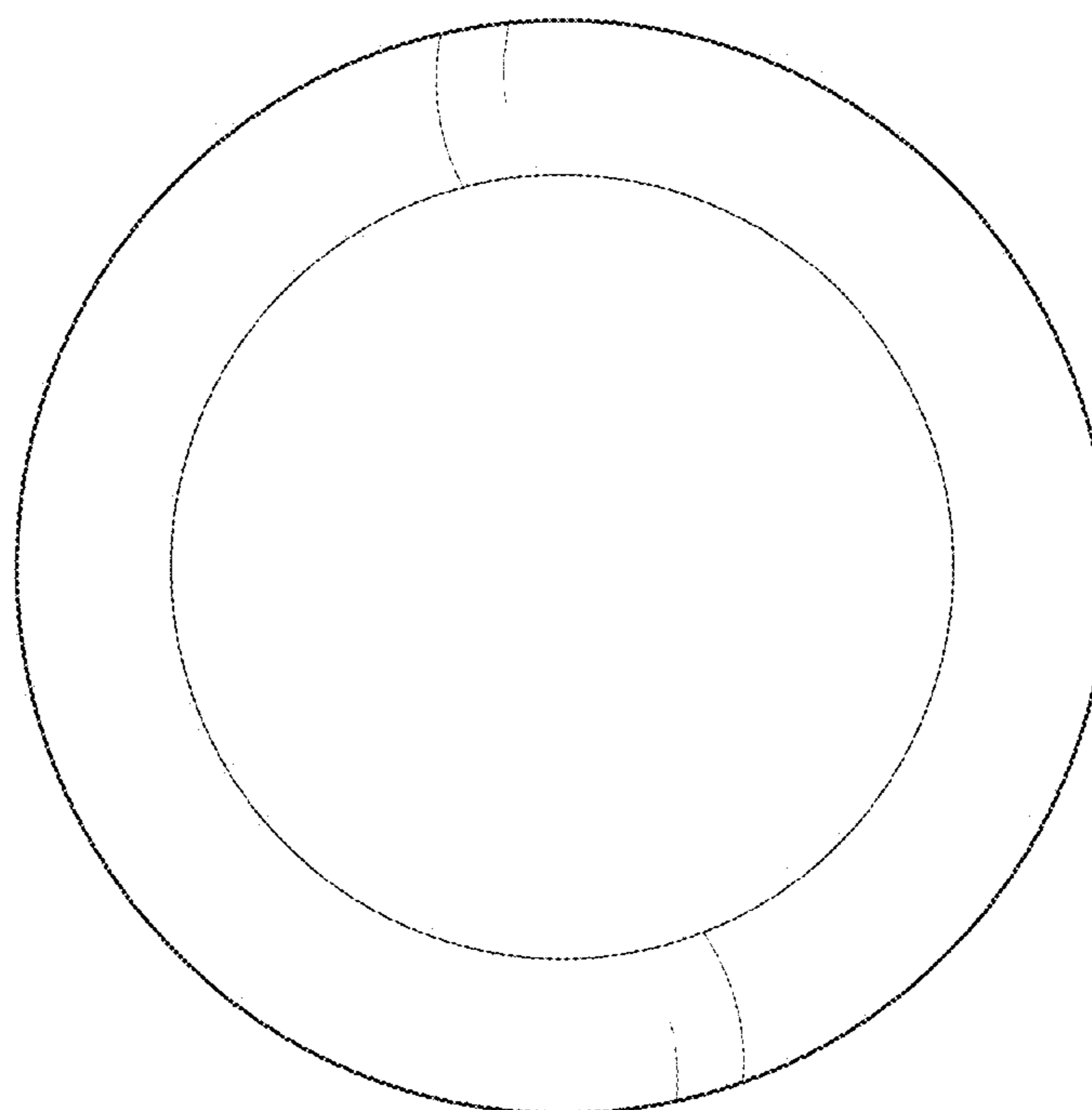


FIG. 7

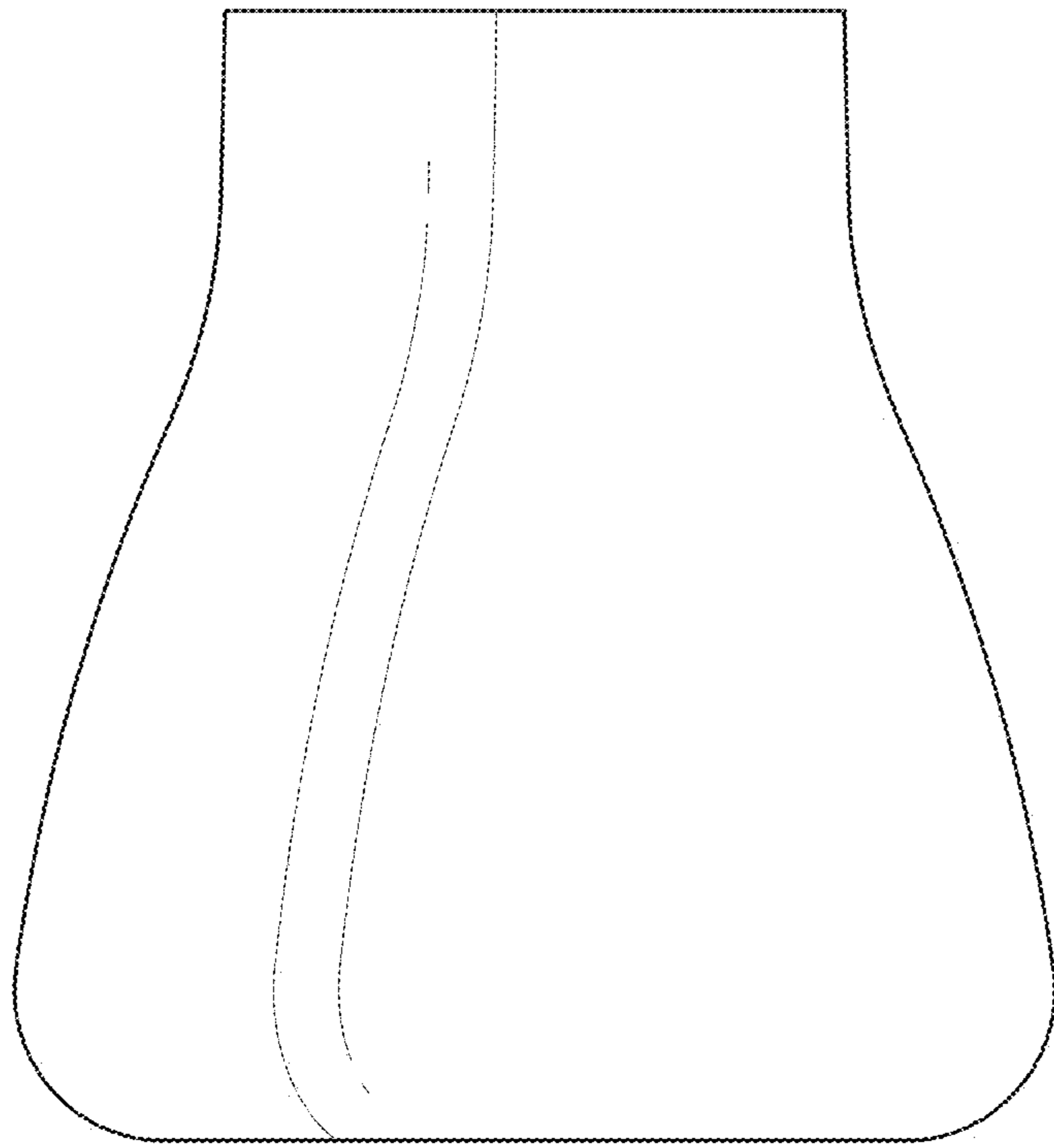


FIG. 8