



US00D983032S

(12) **United States Design Patent**  
**Van Merkey**

(10) **Patent No.:** **US D983,032 S**  
(45) **Date of Patent:** **\*\* Apr. 11, 2023**

(54) **PILL-SHAPED JEWELRY BOX**

(71) Applicant: **Lynna Van Merkey**, Tulsa, OK (US)

(72) Inventor: **Lynna Van Merkey**, Tulsa, OK (US)

(\*\*) Term: **15 Years**

(21) Appl. No.: **29/776,964**

(22) Filed: **Apr. 1, 2021**

(51) **LOC (14) Cl.** ..... **09-03**

(52) **U.S. Cl.**

USPC ..... **D9/428**; D3/903; D6/665

(58) **Field of Classification Search**

USPC ..... D9/428, 503-504, 414, 600, 415, 418,  
D9/420, 423, 432, 424, 529, 558, 575,  
D9/500; D28/86, 73, 59, 4-7, 18, 91;  
D7/678, 601-602, 538, 548, 586, 505;  
D24/189, 100; D3/201, 203.1, 205,  
D3/203.5, 294, 297, 271.4, 901-903;  
D23/366; D27/189; D6/663, 665

CPC ..... A45D 40/20; A45D 40/26; A45D 40/261;  
A45D 40/262; B65D 2543/00083; B65D  
2251/0034; B65D 5/46072; B65D 43/161

See application file for complete search history.

(56) **References Cited**

**U.S. PATENT DOCUMENTS**

D418,298 S *	1/2000	Wolf	.....	D3/901
D462,512 S *	9/2002	Wolf	.....	D3/205
D481,532 S *	11/2003	Sayers	.....	D3/203.1
D547,544 S *	7/2007	Hussaini	.....	D3/201
D566,963 S *	4/2008	Staab	.....	D3/903
D594,154 S *	6/2009	Patel	.....	D27/189
D763,072 S *	8/2016	Morgan	.....	D9/428
D831,479 S *	10/2018	Lylyk	.....	D9/432
D861,476 S *	10/2019	Rogers	.....	D9/418
D900,471 S *	11/2020	Jones	.....	D3/294
D939,204 S *	12/2021	Shin	.....	D3/205

**FOREIGN PATENT DOCUMENTS**

CA	2543492 A1 *	7/2007	.....	B65D 43/161
CN	202728816 U *	2/2013		

**OTHER PUBLICATIONS**

“This pretty blue ring box with a single opening makes any ring stand out!” on Instagram @layoutcollection. Date posted: Aug. 8, 2020. Site visited: Nov. 3, 2022. Available online: <https://www.instagram.com/p/CDplMREJY2e/> (Year: 2020).\*

Double-ring velvet box on YouTube. Date posted: Jun. 3, 2020. Site visited: Nov. 3, 2022. Available online: <https://www.youtube.com/watch?v=OqVGr7rS7dM> (Year: 2020).\*

Pottery Barn Avalon Suede Jewelry Box. Date first available: 2022. Site visited: Nov. 3, 2022. Available online: <https://www.potterybarn.com/products/avalon-suede-jewelry-box-collection/> (Year: 2022).\*

Daily Pill Case Travel Pill Box. Date first available: Apr. 14, 2021. Site visited: Nov. 3, 2022. Available online: [https://www.amazon.com/Organizer-Medicine-Carrying-Portable-Container/dp/B092J1CP4S/ref=psdc\\_3760941\\_t1\\_B07K82CGS9](https://www.amazon.com/Organizer-Medicine-Carrying-Portable-Container/dp/B092J1CP4S/ref=psdc_3760941_t1_B07K82CGS9) (Year: 2021).\*

\* cited by examiner

*Primary Examiner* — Catherine S Posthauer

*Assistant Examiner* — Joan E. Diehl

(74) *Attorney, Agent, or Firm* — Head, Johnson, Kachigian & Wilkinson, PC

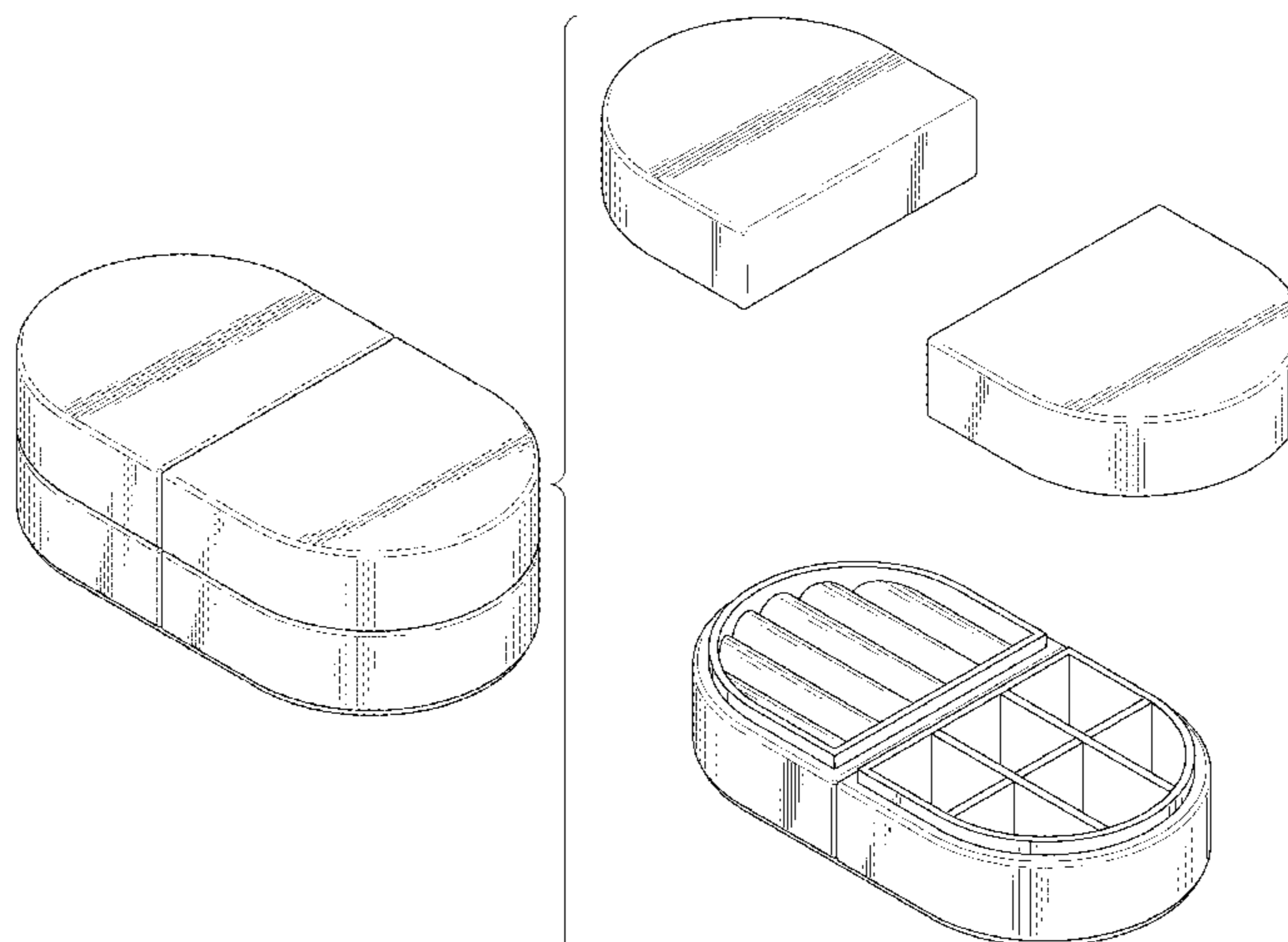
(57) **CLAIM**

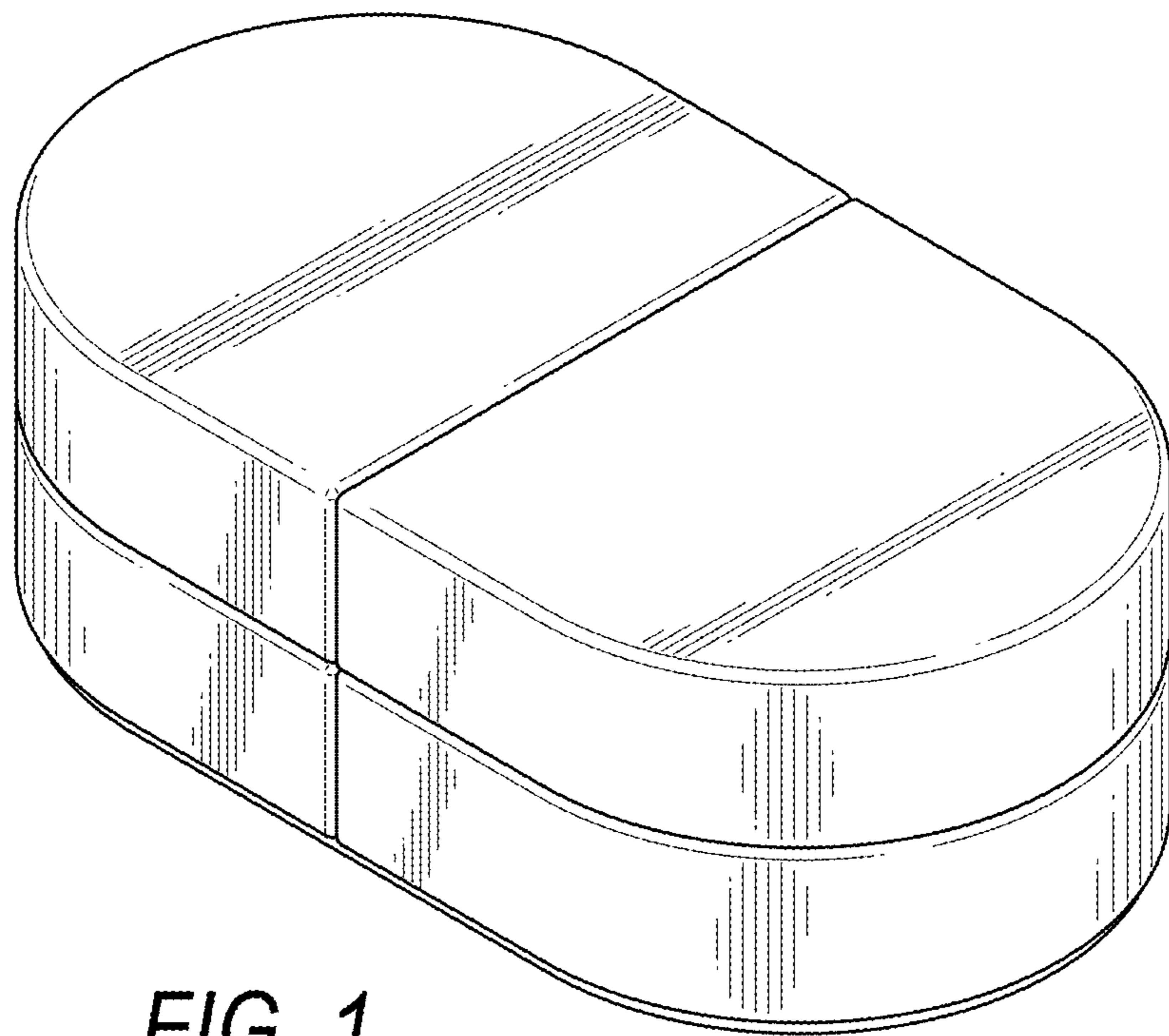
The ornamental design for a pill-shaped jewelry box, as shown and described.

**DESCRIPTION**

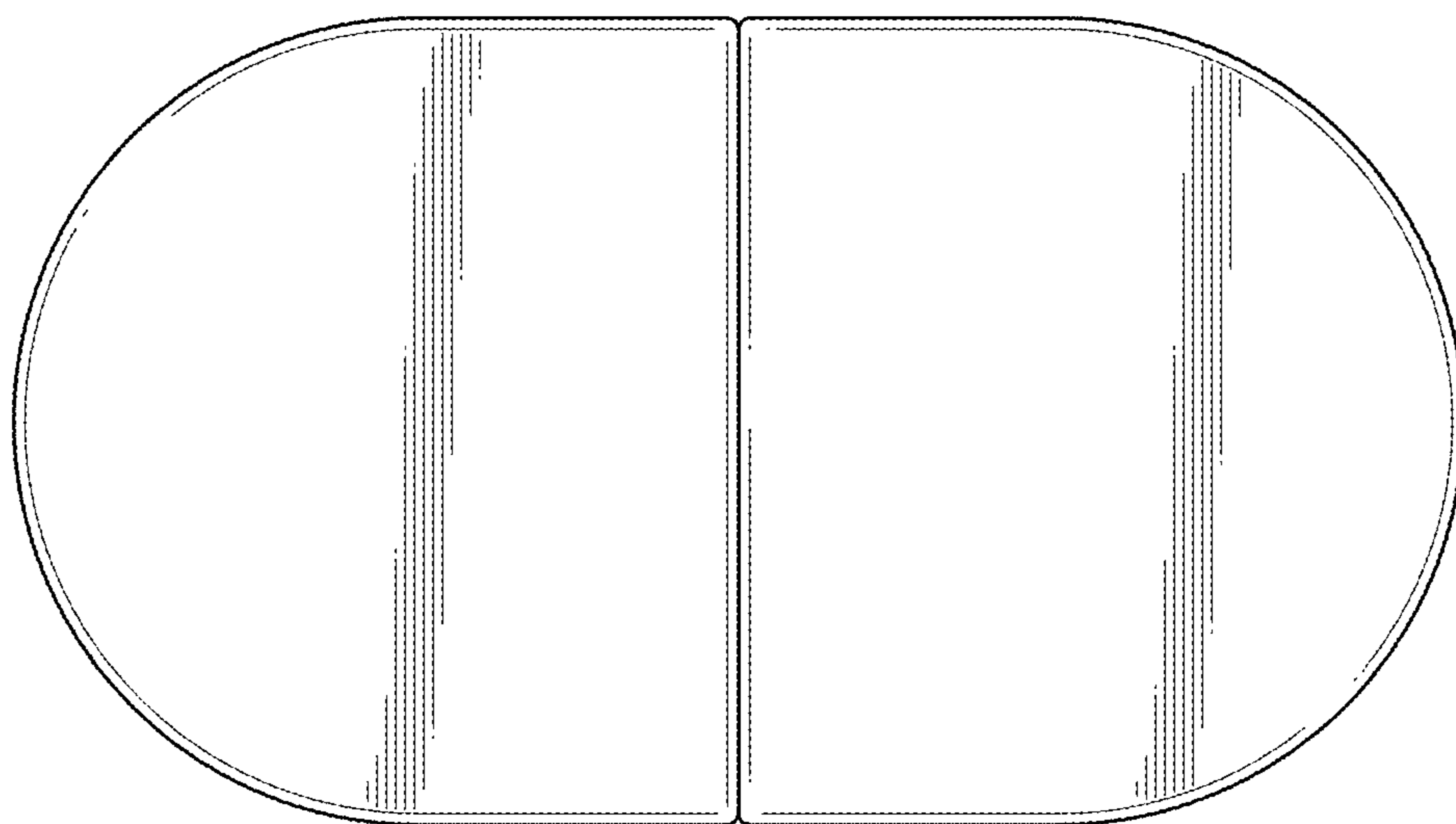
FIG. 1 is perspective view of the pill-shaped jewelry box; FIG. 2 is a top view thereof; FIG. 3 is a front view thereof, where the back view is identical to the front view; FIG. 4 is a side view thereof, where the right side view is identical to the left side view; FIG. 5 is a bottom view thereof; FIG. 6 is an exploded top perspective view thereof; and, FIG. 7 is an exploded bottom perspective view thereof.

**1 Claim, 4 Drawing Sheets**

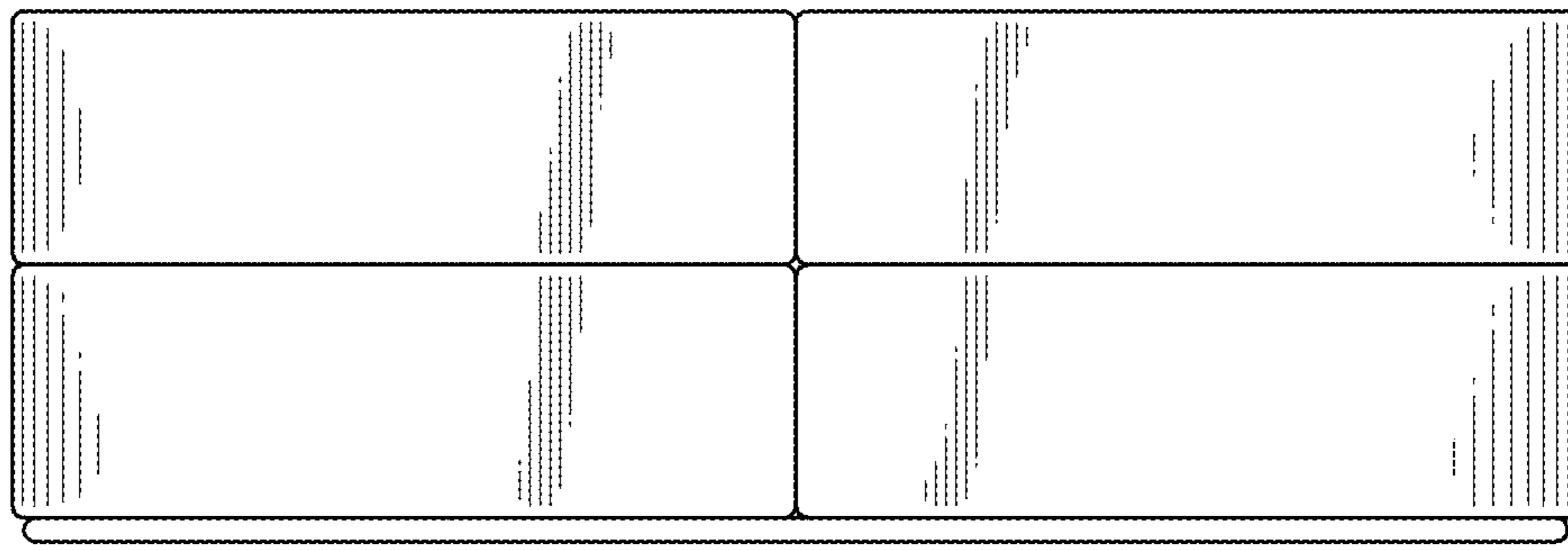




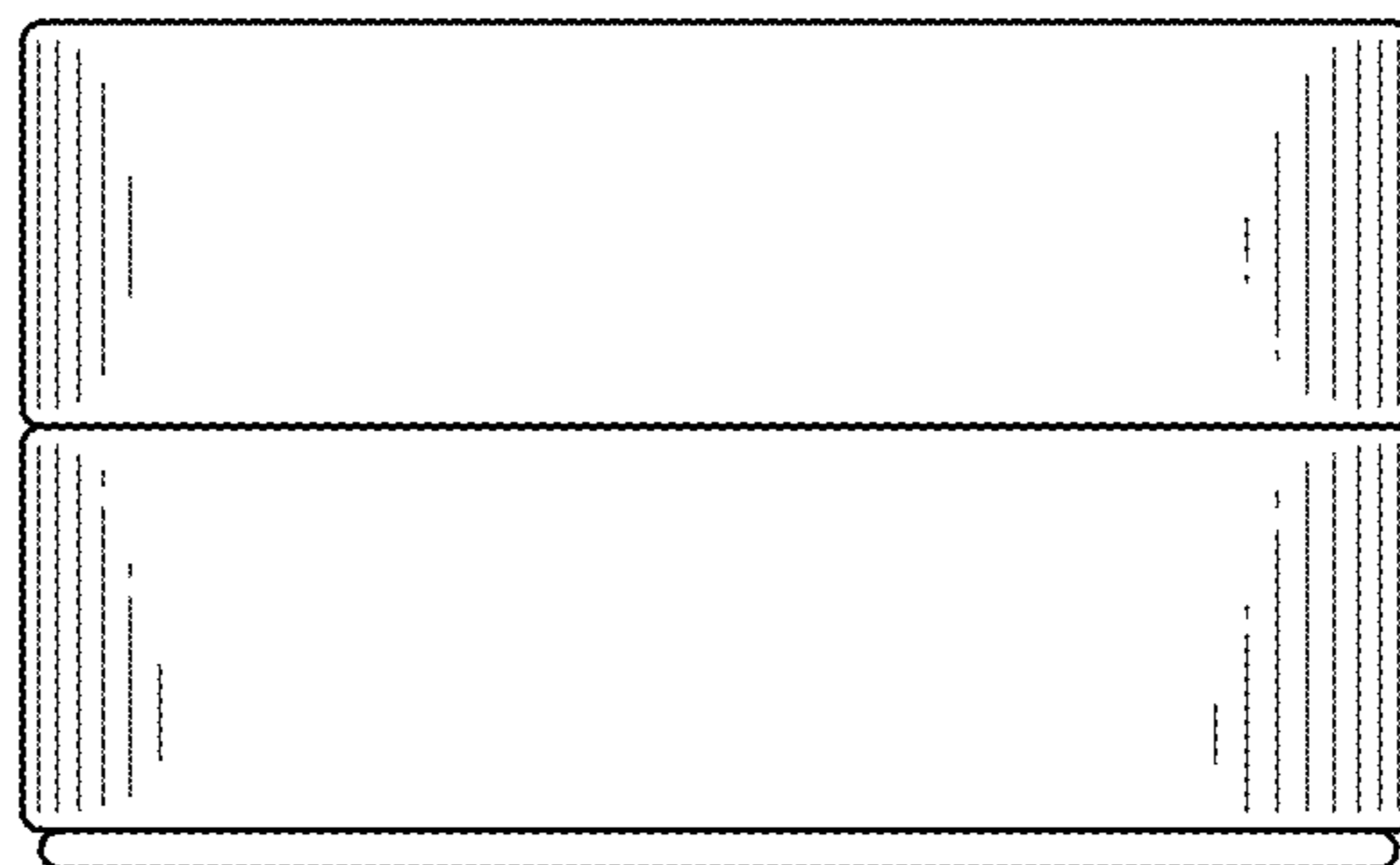
*FIG. 1*



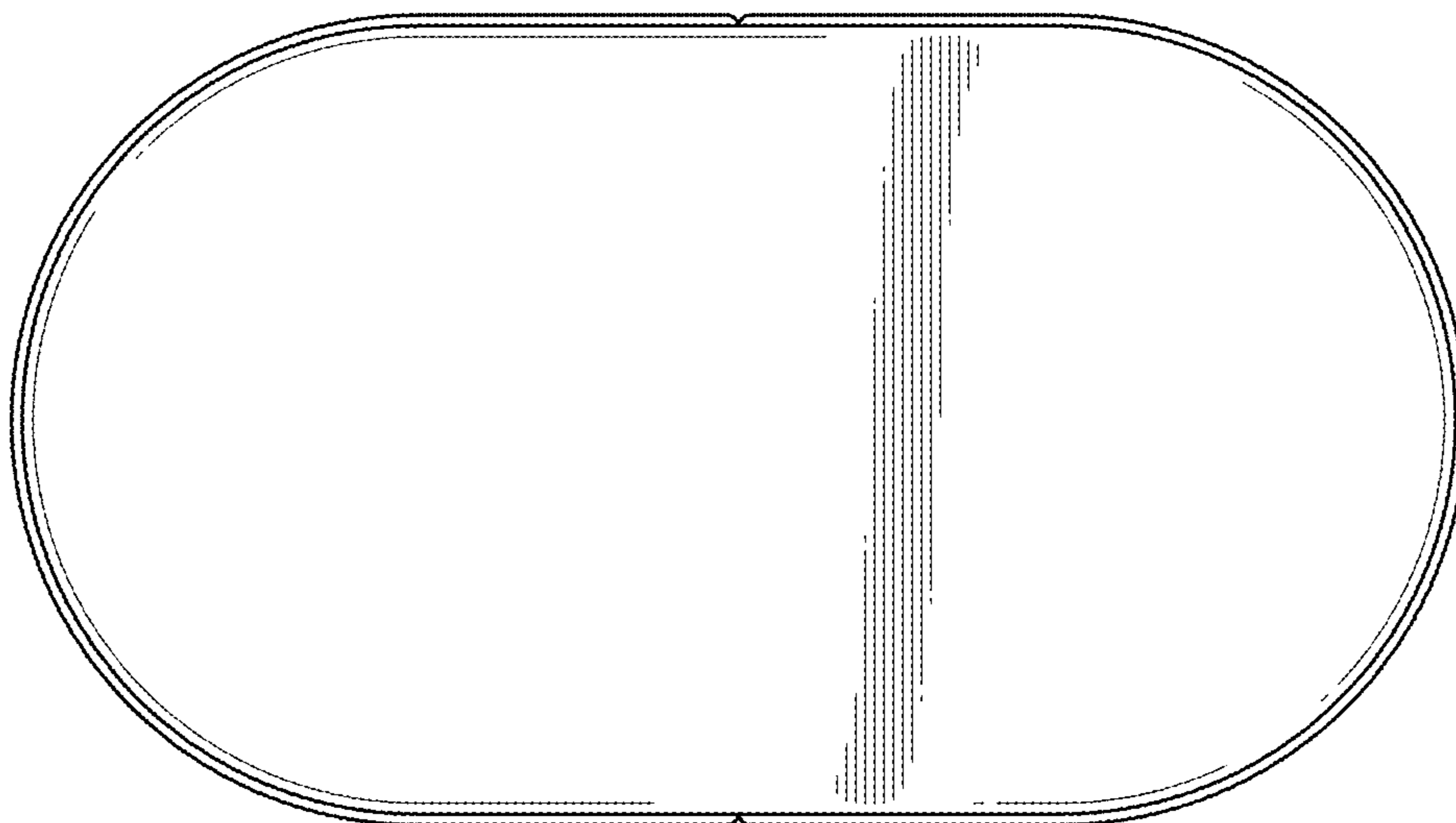
*FIG. 2*



*FIG. 3*



*FIG. 4*



*FIG. 5*



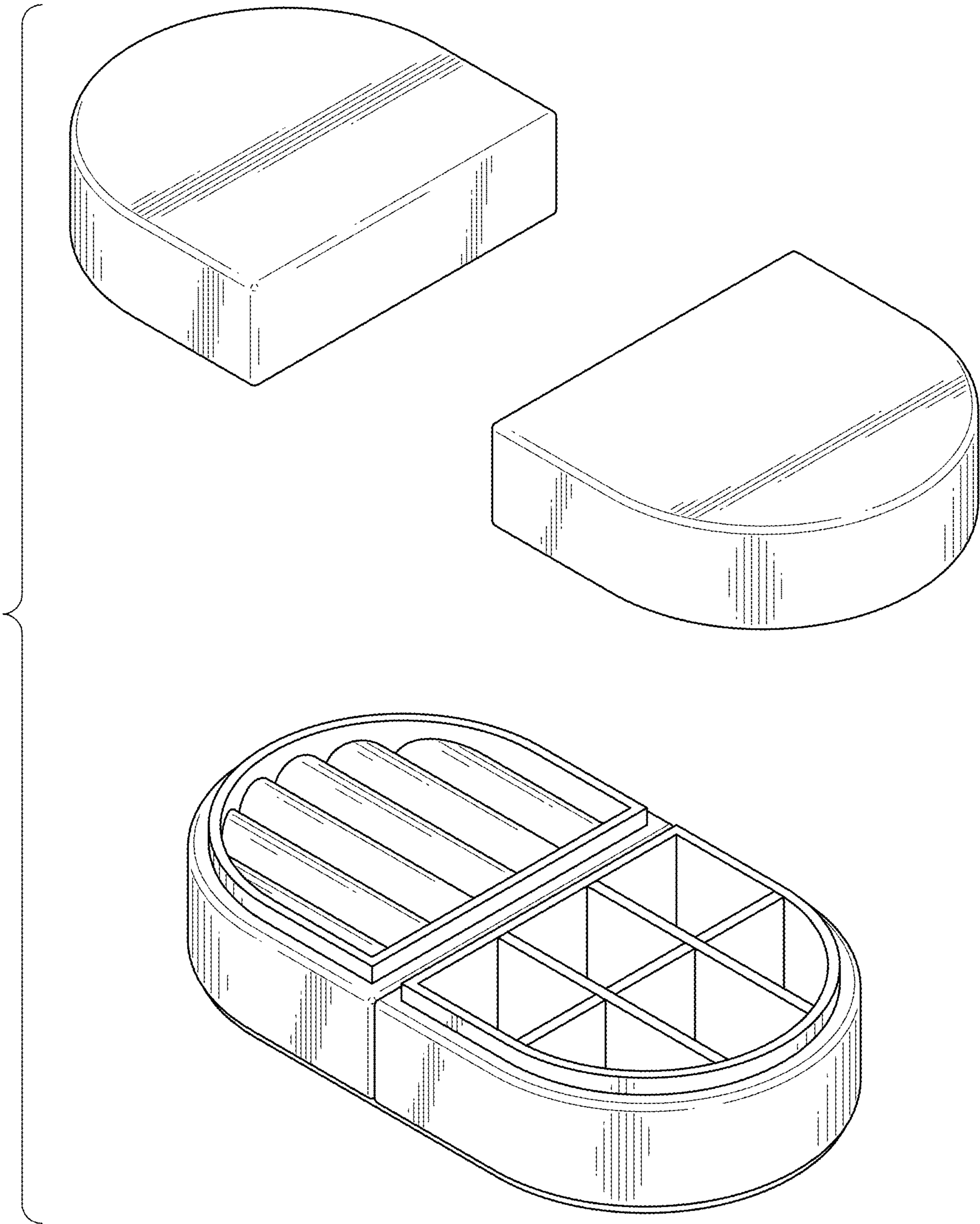


FIG. 6

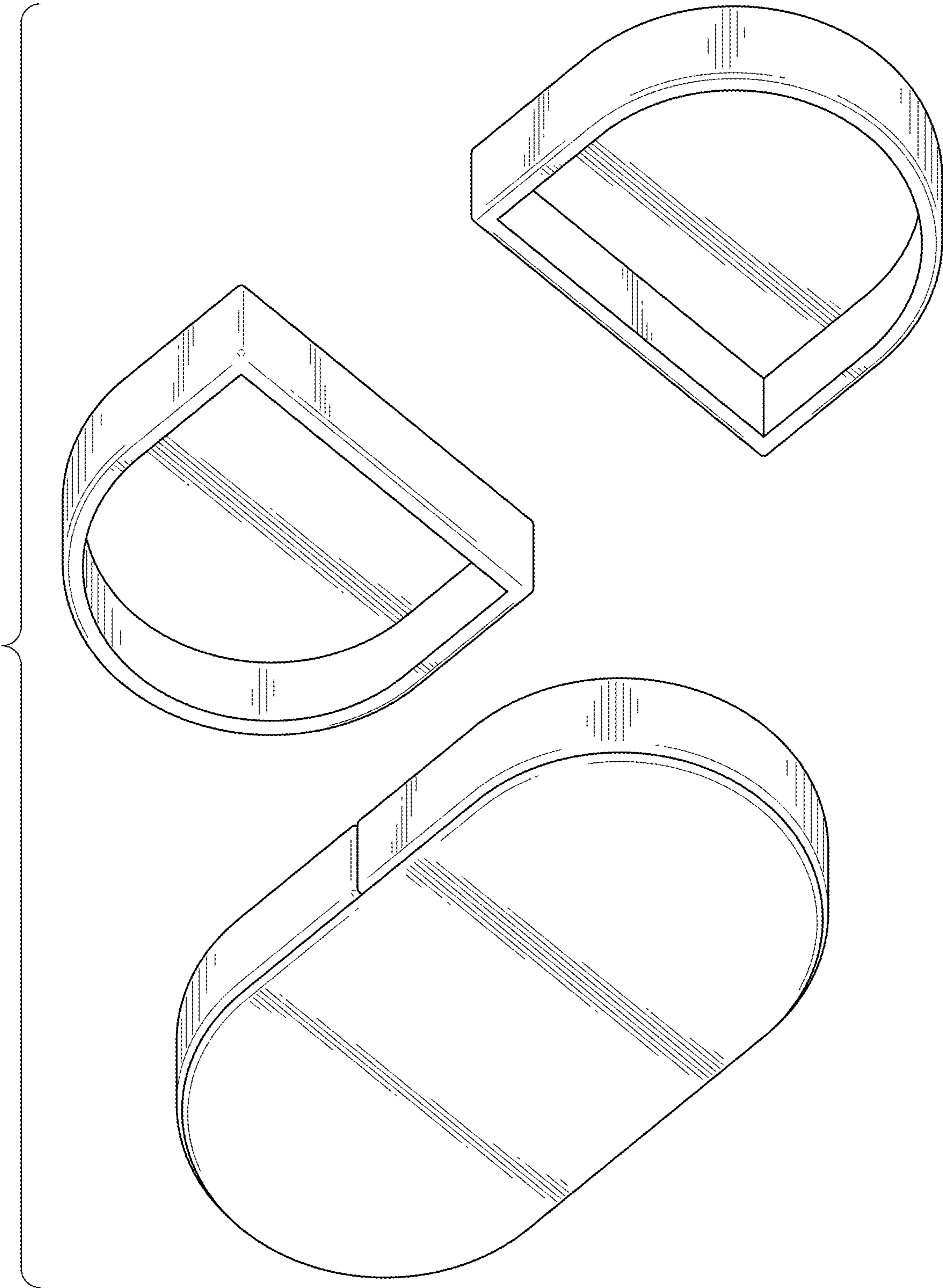


FIG. 7