



US00D983030S

(12) **United States Design Patent** (10) **Patent No.:** **US D983,030 S**
Merboth et al. (45) **Date of Patent:** **** Apr. 11, 2023**

(54) **PACKAGING**

(71) Applicant: **LifeCell Corporation**, Madison, NJ (US)
(72) Inventors: **Barbara L. Merboth**, Somerville, NJ (US); **Jennifer Hwang**, Branchburg, NJ (US); **Suranga Suraweera**, Morristown, NJ (US)
(73) Assignee: **LifeCell Corporation**, North Chicago, IL (US)

4,998,671 A 3/1991 Leifheit
D323,216 S * 1/1992 Russell D24/188
5,235,754 A 8/1993 Sirois
D350,286 S * 9/1994 Corella D9/707
5,415,290 A * 5/1995 Merkley B65D 33/007
206/424
D360,578 S * 7/1995 Dees D20/18
D364,086 S * 11/1995 Jacobson D9/705
D410,838 S * 6/1999 Berman D9/710
D420,899 S * 2/2000 Jubar D9/705
D440,868 S * 4/2001 Berman D9/707
D452,817 S * 1/2002 Berman D9/707

(Continued)

(**) Term: **15 Years**

(21) Appl. No.: **29/747,057**

(22) Filed: **Aug. 19, 2020**

(51) **LOC (14) Cl.** **09-03**

(52) **U.S. Cl.**
USPC **D9/418**

(58) **Field of Classification Search**
USPC D9/416, 499, 702-714, 434, 414, 418, D9/424-426, 415, 420, 423, 432, 419, D9/720; D24/188, 189; D3/201, 203.1, D3/203.3, 203.5; D28/4, 5, 7, 9, 44.2, 99
CPC B65D 5/42; B65D 5/4258; B65D 81/60; B65D 81/365; B65D 81/366; B65D 81/368; B65D 2203/00; B65D 2203/02; B65D 37/00; B65D 77/00; B65D 33/00; B65D 33/04

See application file for complete search history.

(56) **References Cited**

U.S. PATENT DOCUMENTS

3,642,126 A * 2/1972 Kurtz B65D 75/58
383/200
D257,000 S * 9/1980 Williams D9/456
4,630,448 A 12/1986 Bilstad et al.
D289,973 S * 5/1987 Corella D9/707
4,786,190 A * 11/1988 Van Erden B65D 75/20
383/203

OTHER PUBLICATIONS

IndiaMart. Blister Packing. Publication date unavailable. Visited Nov. 4, 2022. <https://www.indiamart.com/ks-infotech-allahabad/blister-packing.html> (Year: 0).*

(Continued)

Primary Examiner — Darcey E Gottschalk
Assistant Examiner — Vanessa M. Pursley
(74) *Attorney, Agent, or Firm* — McCarter & English, LLP

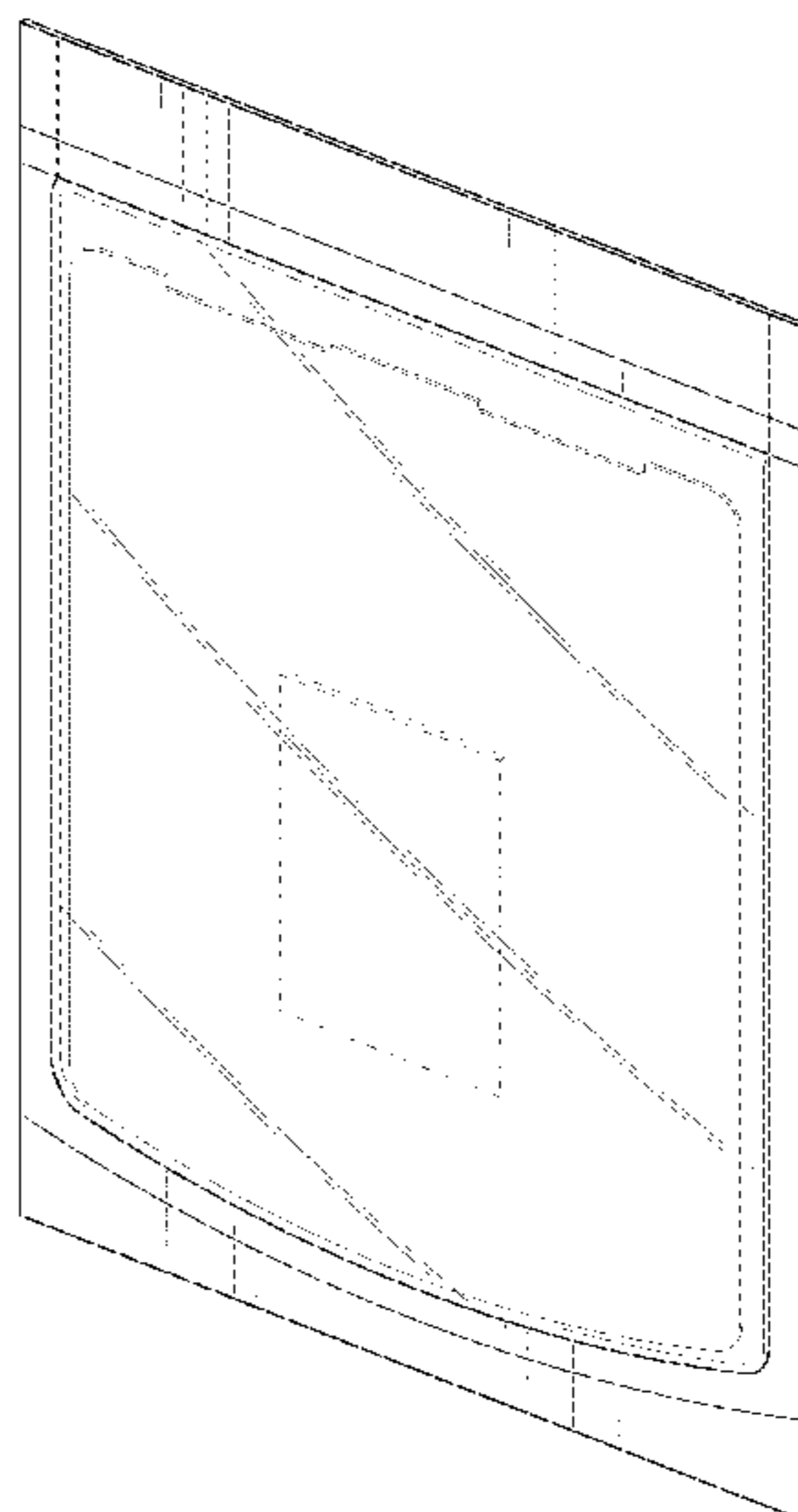
(57) **CLAIM**

The ornamental design for packaging, as shown and described.

DESCRIPTION

FIG. 1 is a perspective view of packaging;
FIG. 2 is a top view thereof;
FIG. 3 is a bottom view thereof;
FIG. 4 is a right side view thereof;
FIG. 5 is a left side view thereof;
FIG. 6 is a front end view thereof; and,
FIG. 7 is an inverted bottom view thereof.
In the drawings, the broken lines depict environment that forms no part of the claim.

1 Claim, 7 Drawing Sheets



(56)

References Cited

U.S. PATENT DOCUMENTS

D463,974 S * 10/2002 Berman D9/707
 D529,710 S * 10/2006 Wilson D3/203.5
 D541,668 S * 5/2007 Pokusa D9/709
 D574,500 S * 8/2008 Koch D24/189
 D584,141 S * 1/2009 Smith D9/425
 D624,402 S * 9/2010 Hansen D9/426
 D630,376 S * 1/2011 Yamamoto D28/7
 D657,547 S * 4/2012 Koppel D3/218
 D679,179 S * 4/2013 Ritter D9/424
 D703,547 S * 4/2014 France D9/703
 D721,277 S * 1/2015 Harrison D9/457
 D734,165 S * 7/2015 Kearns D9/707
 D742,124 S * 11/2015 Vanderheyden D6/563
 D746,602 S * 1/2016 Olson D6/300
 D746,603 S * 1/2016 Gale D6/300
 D764,906 S * 8/2016 Lee D9/425
 D766,076 S * 9/2016 Yuan D9/415
 D775,841 S * 1/2017 Vanderheyden D6/300
 D776,823 S 1/2017 Duan-Arnold et al.
 9,649,408 B1 5/2017 Qing-Qing et al.
 D793,246 S * 8/2017 Cobler D9/705
 D832,457 S 10/2018 Poyss et al.
 D843,586 S 3/2019 Duan-Arnold et al.
 D843,587 S 3/2019 Duan-Arnold et al.
 D844,150 S 3/2019 Duan-Arnold et al.

D848,860 S * 5/2019 Sale D9/706
 10,293,064 B1 5/2019 Qiu et al.
 D851,911 S * 6/2019 Nelson B65D 25/10
 D3/201
 D869,960 S * 12/2019 Schulte D9/713
 D875,953 S * 2/2020 Wang D24/189
 D924,068 S * 7/2021 Zhu B65D 75/58
 D9/706
 D944,996 S * 3/2022 Åkerman D24/189
 2005/0269232 A1 * 12/2005 Eisenbraun B65D 75/22
 206/463
 2014/0196299 A1 7/2014 Ouellette et al.
 2016/0296652 A1 10/2016 Leamy et al.
 2018/0311938 A1 * 11/2018 Murase B32B 27/20
 2020/0023794 A1 1/2020 Maekawa
 2020/0237944 A1 7/2020 Leamy et al.

OTHER PUBLICATIONS

BagKing. Clamshell Blister Pack for Pod Style Cartridges. Publication date unavailable. Visited Nov. 4, 2022. <https://www.bagking.com/products/clamshell-blister-pack-for-juul-vape-cartridges> (Year: 0).*

Ebay. Luxury Skincare Sample Set of 5 Foil Sachet Packets New. Last updated Aug. 21, 2022. Visited Nov. 16, 2022. <https://www.ebay.com/itm/164787732590> (Year: 2022).*

* cited by examiner

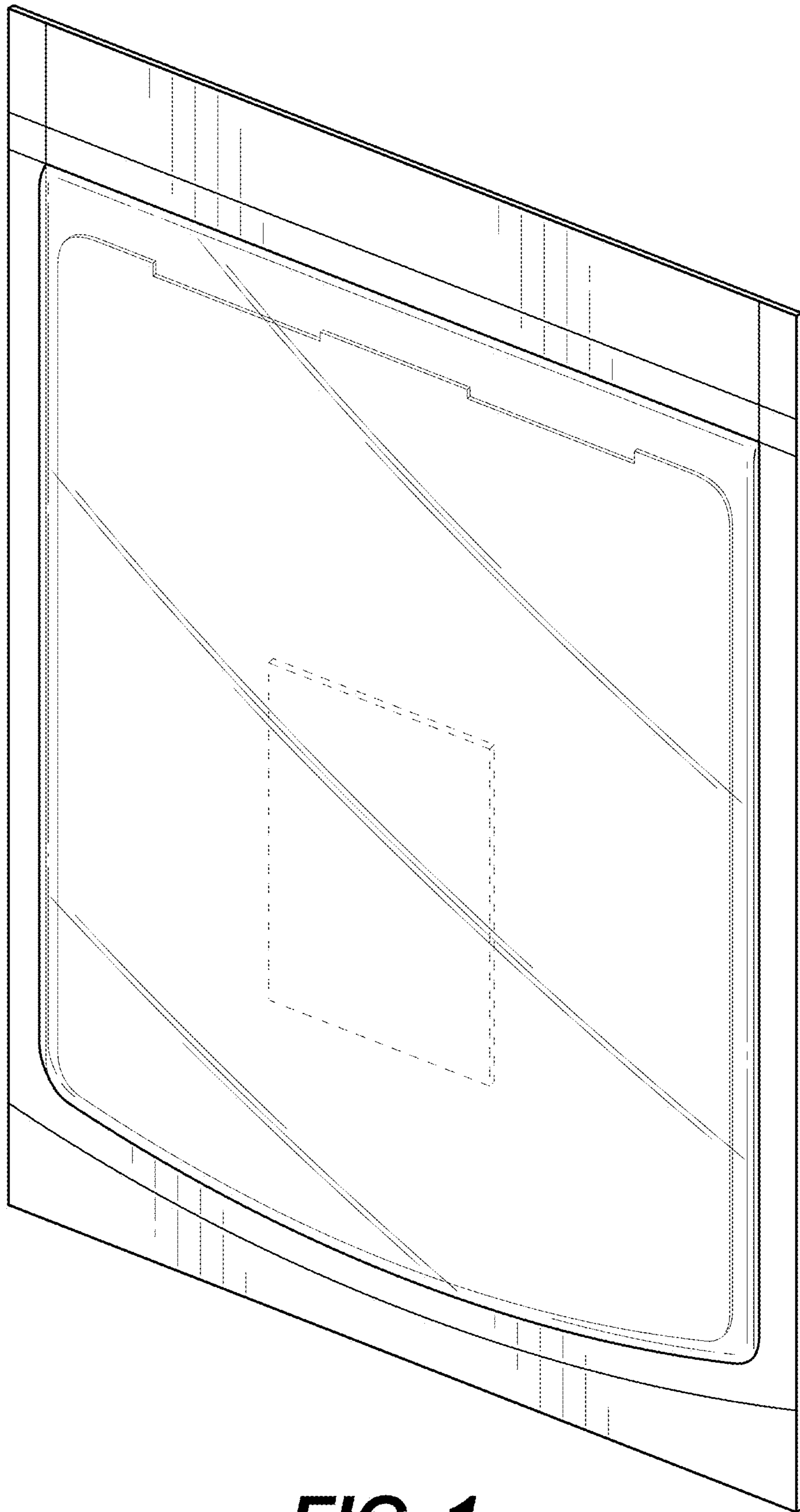


FIG. 1

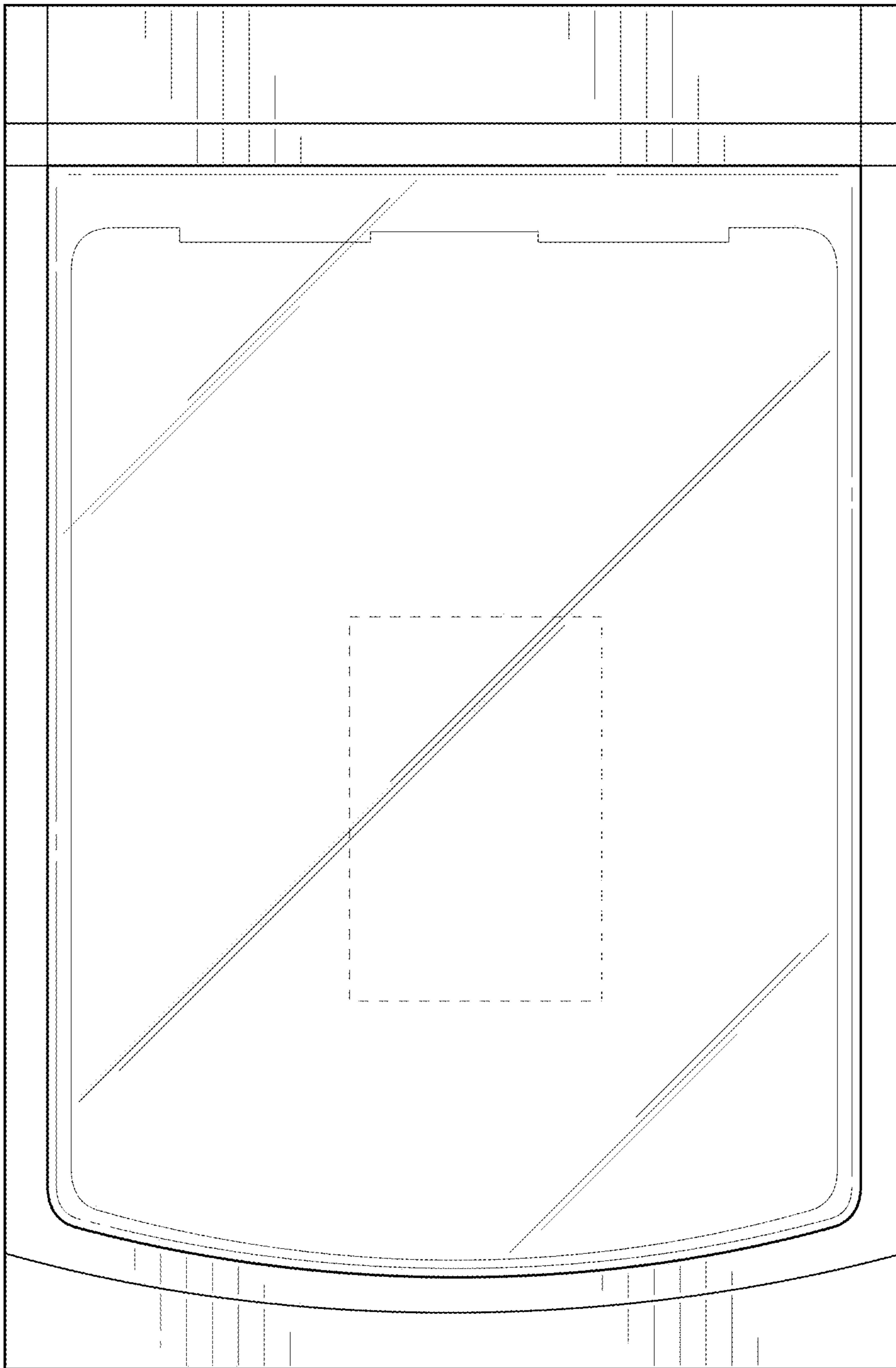


FIG. 2

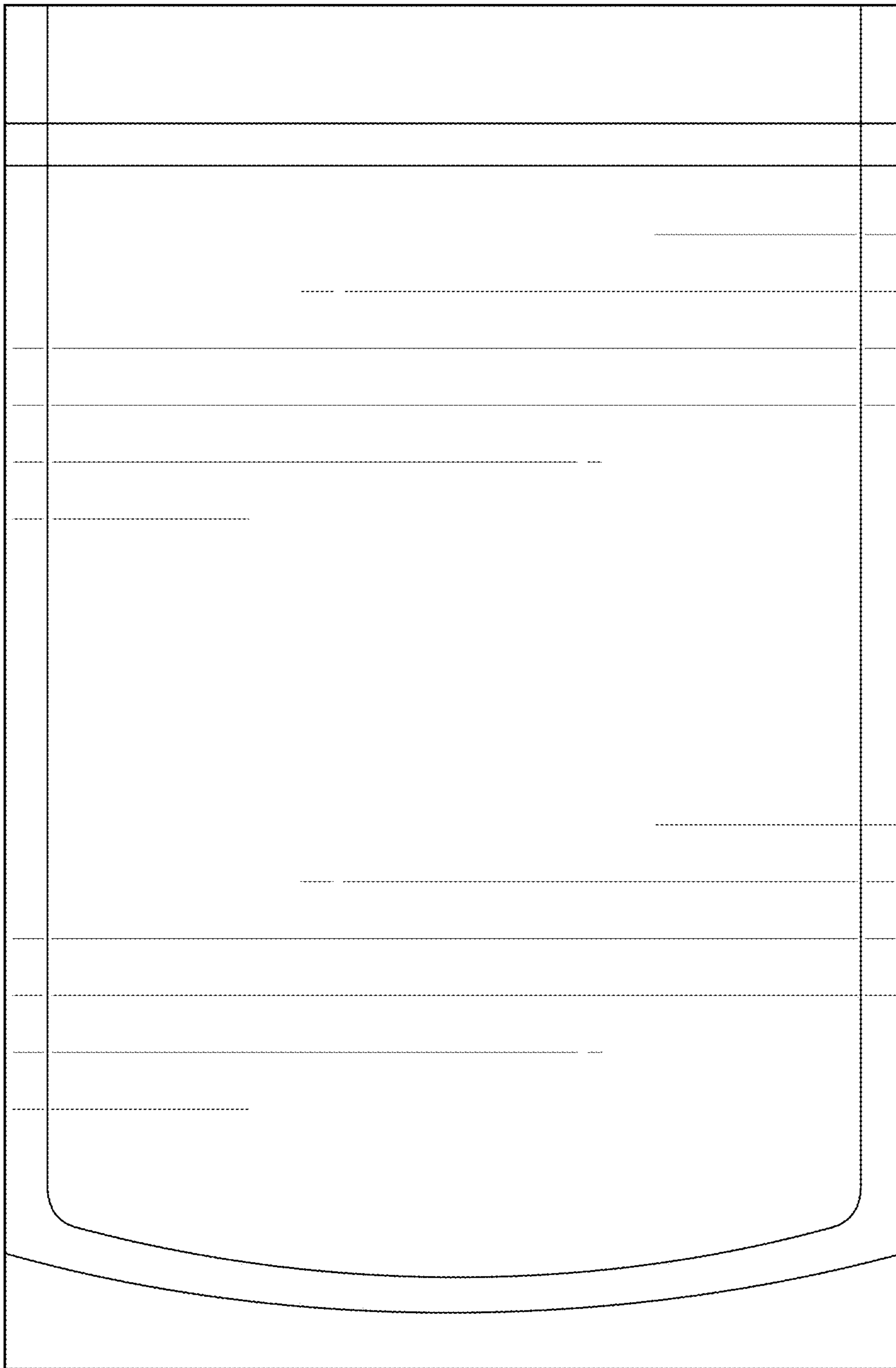


FIG. 3



FIG. 4



FIG. 5

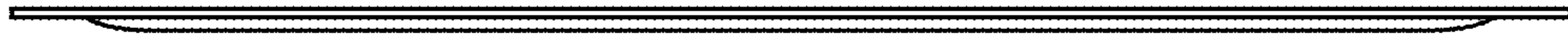


FIG. 6

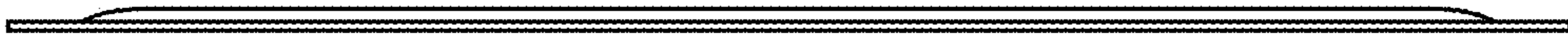


FIG. 7