



US00D983029S

(12) **United States Design Patent**
Zeng

(10) **Patent No.:** **US D983,029 S**
(45) **Date of Patent:** **** Apr. 11, 2023**

- (54) **DOORSTOP**
- (71) Applicant: **SHENZHEN PENGRIHUI INDUSTRIAL CO., LTD**, Shenzhen (CN)
- (72) Inventor: **Deping Zeng**, Shenzhen (CN)
- (**) Term: **15 Years**
- (21) Appl. No.: **29/804,667**
- (22) Filed: **Aug. 22, 2021**
- (51) **LOC (14) Cl.** **08-09**
- (52) **U.S. Cl.**
USPC **D8/402**
- (58) **Field of Classification Search**
USPC D8/400-404, 499, 300, 315-316, 319, D8/320
CPC E06B 1/70; E06B 3/28; E06B 7/09; E06B 7/12; E06B 7/16; E06B 7/22; E06B 7/2312

See application file for complete search history.

(56) **References Cited**

U.S. PATENT DOCUMENTS

1,643,132	A *	9/1927	Scott	E06B 7/20 49/303
2,347,158	A *	4/1944	Spraragen	B68G 7/105 49/500.1
4,765,094	A *	8/1988	Gemmell	E06B 7/2316 49/58
5,475,948	A *	12/1995	Parke	E06B 7/2316 49/470
D371,600	S *	7/1996	Henry	E06B 7/2316 D23/386
6,560,932	B2 *	5/2003	Heroux	E06B 7/2316 49/467
7,891,136	B1 *	2/2011	Heroux	E06B 7/2316 49/470

8,141,298	B2 *	3/2012	Heroux	E06B 7/2316 49/470
8,701,350	B2 *	4/2014	Vulpitta	E06B 7/26 49/470
8,733,019	B2 *	5/2014	Vulpitta	E06B 7/2316 49/70
10,407,899	B2 *	9/2019	Klein	E04B 1/6809
D946,394	S *	3/2022	Rawal	D8/402
2011/0030281	A1 *	2/2011	Vulpitta	E06B 7/2316 49/490.1
2013/0333294	A1 *	12/2013	Vulpitta	E06B 7/26 49/468

(Continued)

Primary Examiner — Keli L Hill
Assistant Examiner — Harold E Blackwell, II
(74) *Attorney, Agent, or Firm* — Daniel M. Cohn;
Howard M. Cohn

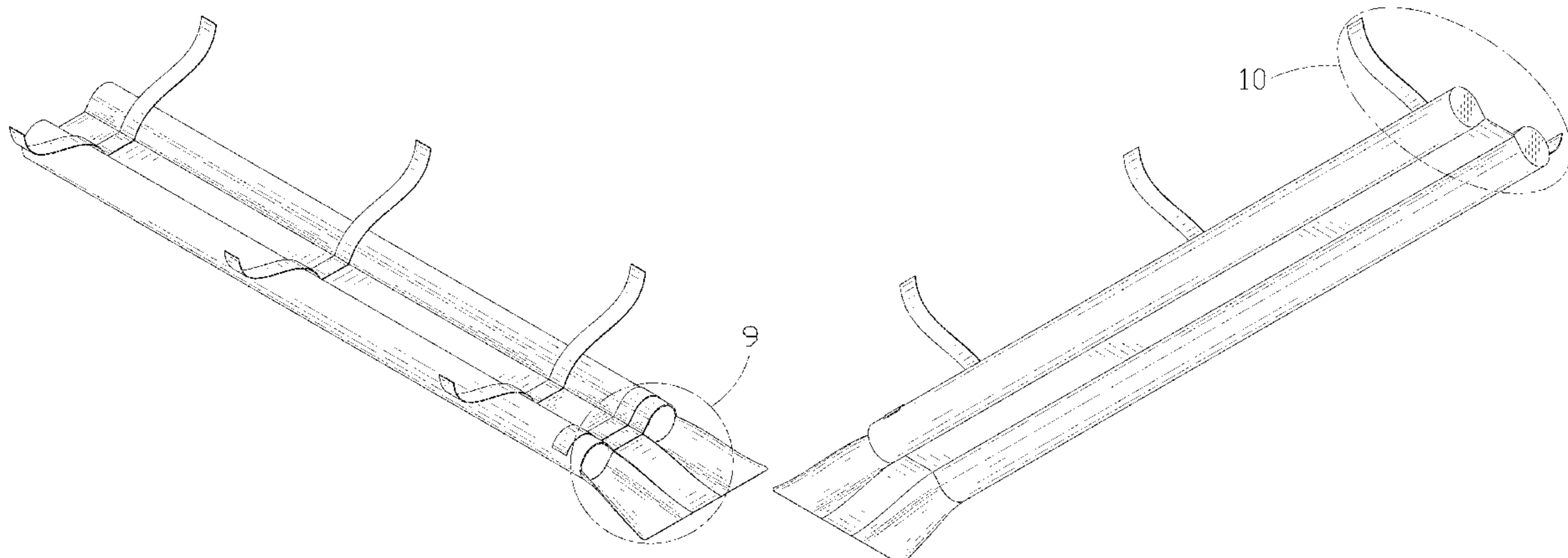
(57) **CLAIM**

The ornamental design for a doorstop, as shown and described.

DESCRIPTION

FIG. 1 is a perspective view of a doorstop showing my new design;
FIG. 2 is another perspective view thereof;
FIG. 3 is a front elevational view thereof;
FIG. 4 is a rear elevational view thereof;
FIG. 5 is a left side elevational view thereof;
FIG. 6 is a right side elevational view thereof;
FIG. 7 is a top plan view thereof;
FIG. 8 is a bottom plan view thereof;
FIG. 9 is an enlarged view of portion 9 shown in FIG. 1; and,
FIG. 10 is an enlarged view of portion 10 shown in FIG. 2.
The dash-dash broken lines in the drawings depict portions of the doorstop that form no part of the claimed design. The dot-dash broken lines represent boundaries of the enlarged portions and form no part of the claimed design.

1 Claim, 10 Drawing Sheets



(56)

References Cited

U.S. PATENT DOCUMENTS

2016/0186483 A1* 6/2016 Kroeger E06B 7/2314
49/493.1

* cited by examiner

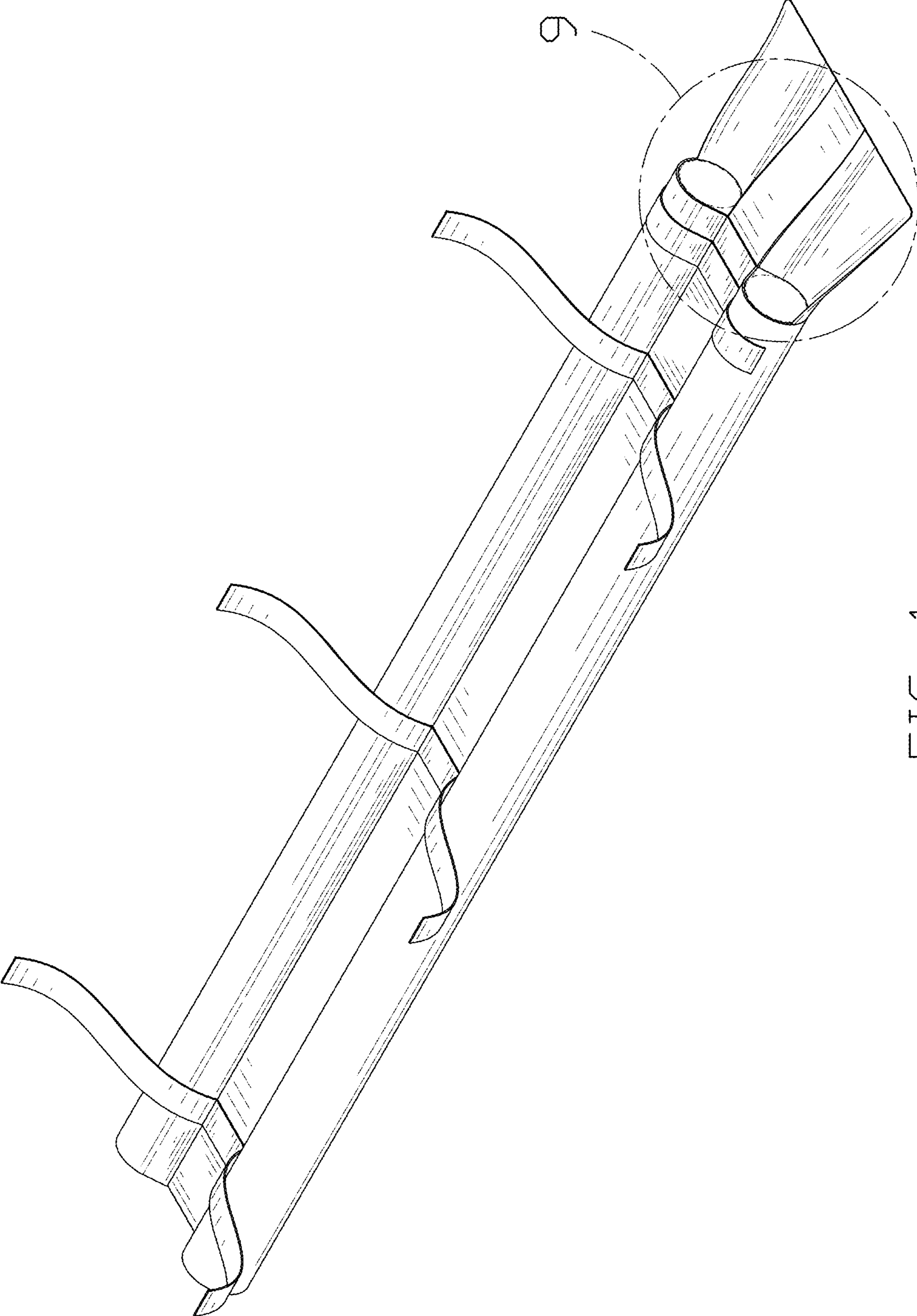


FIG. 1

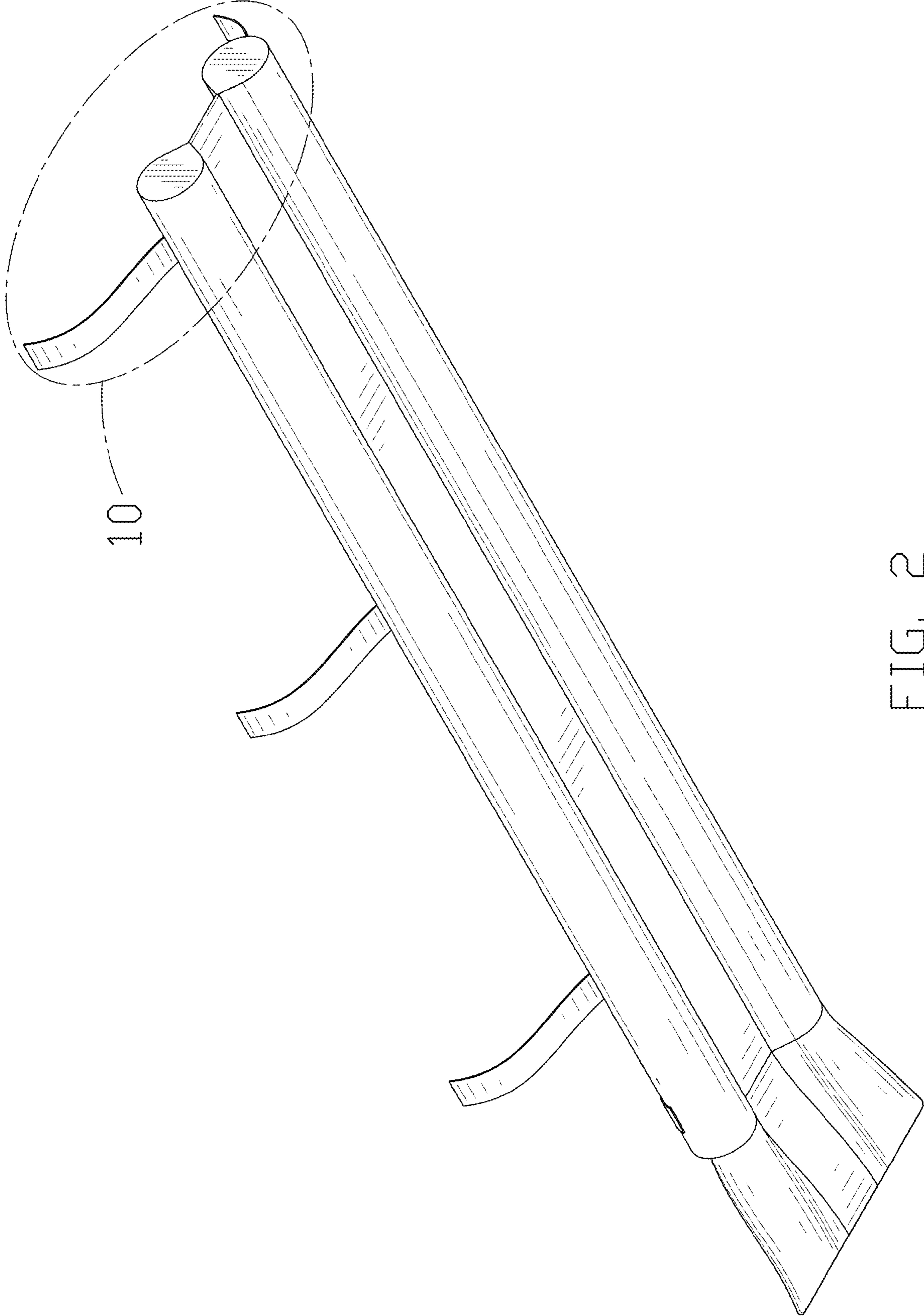


FIG. 2

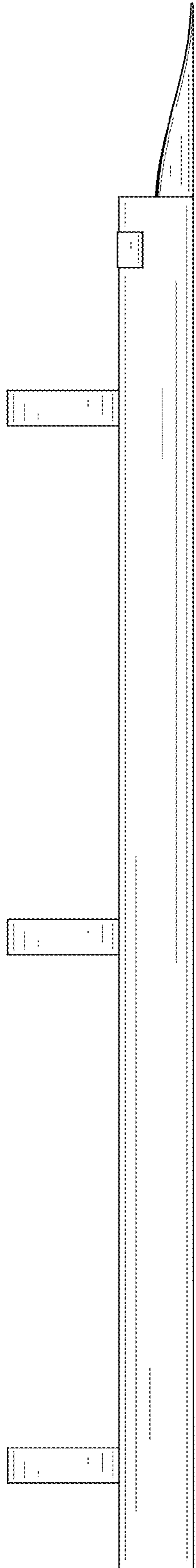


FIG. 3

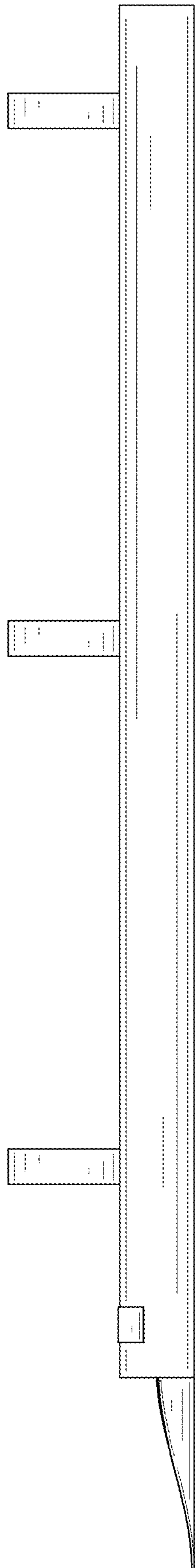


FIG. 4

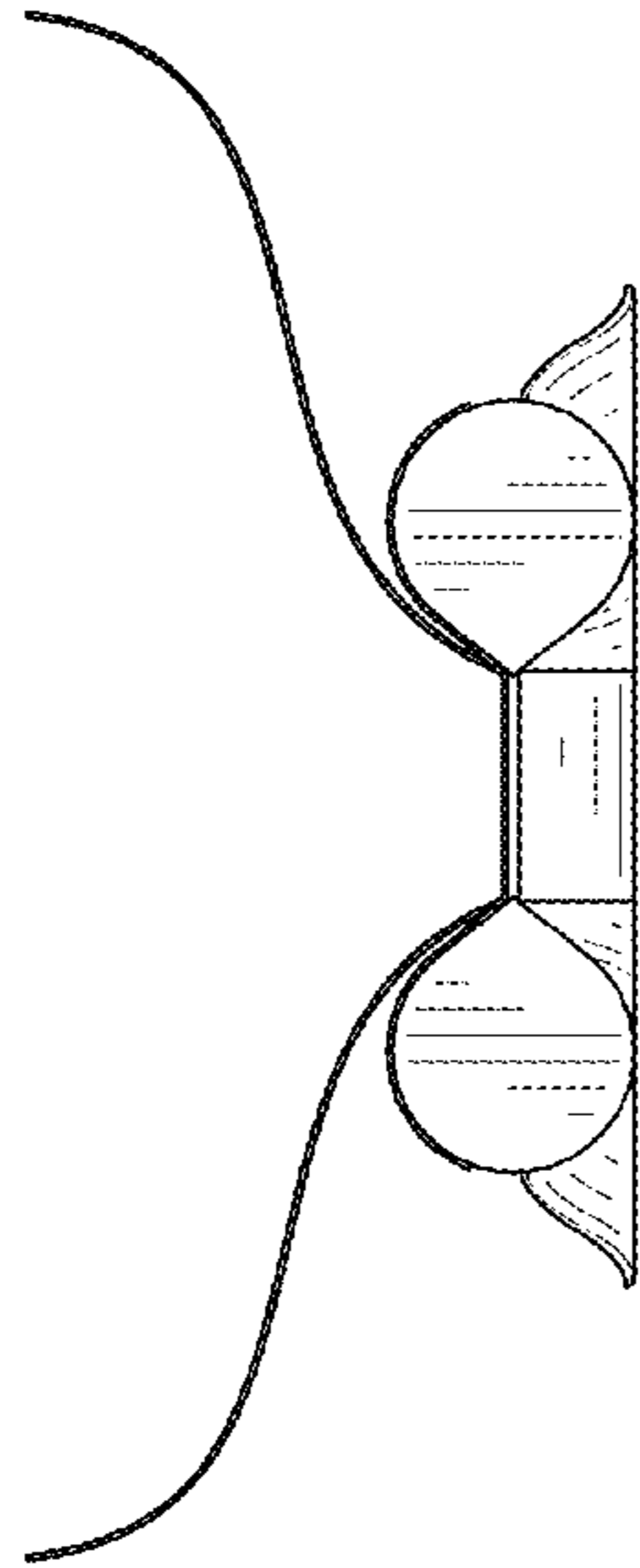


FIG. 5

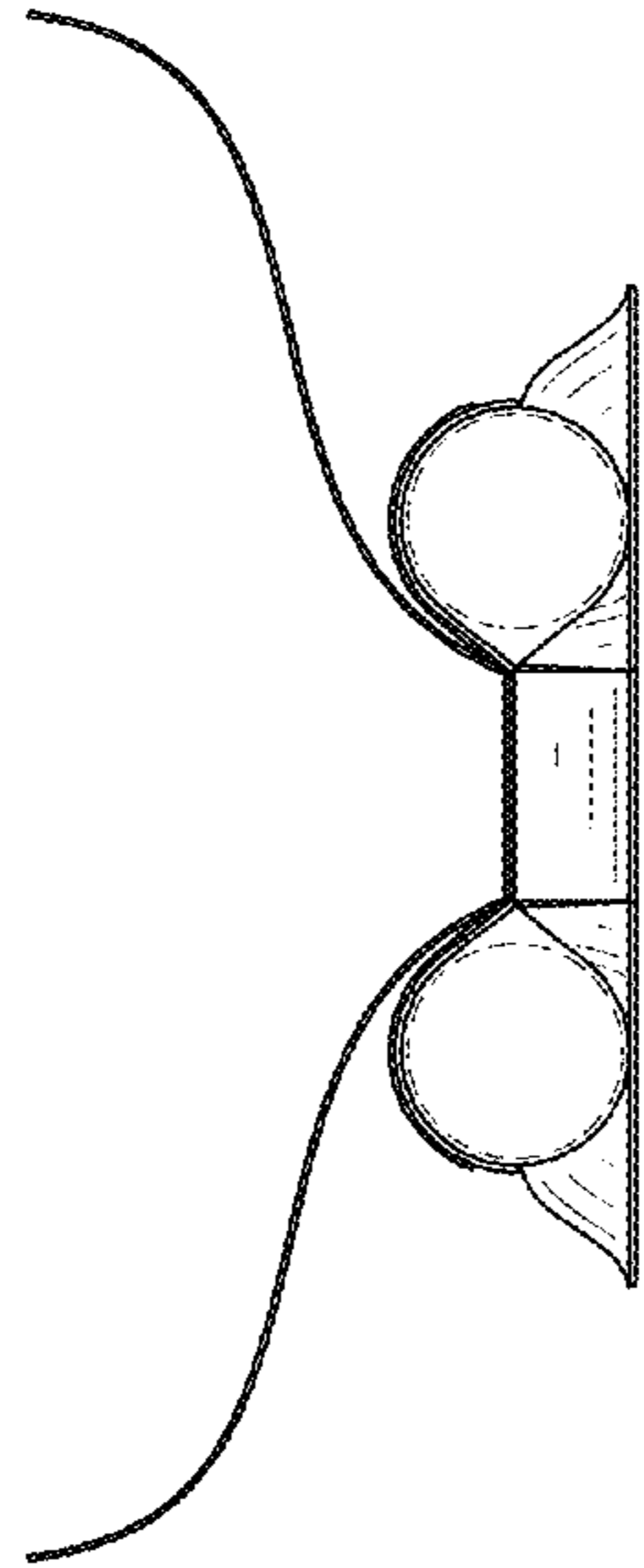


FIG. 6

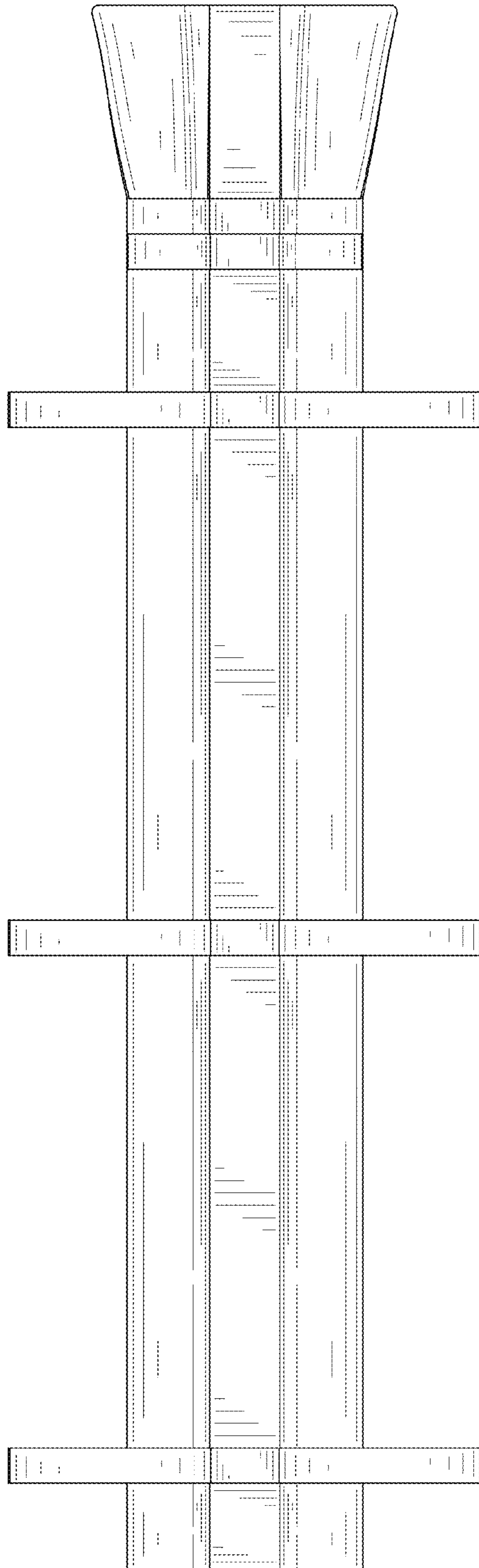


FIG. 7

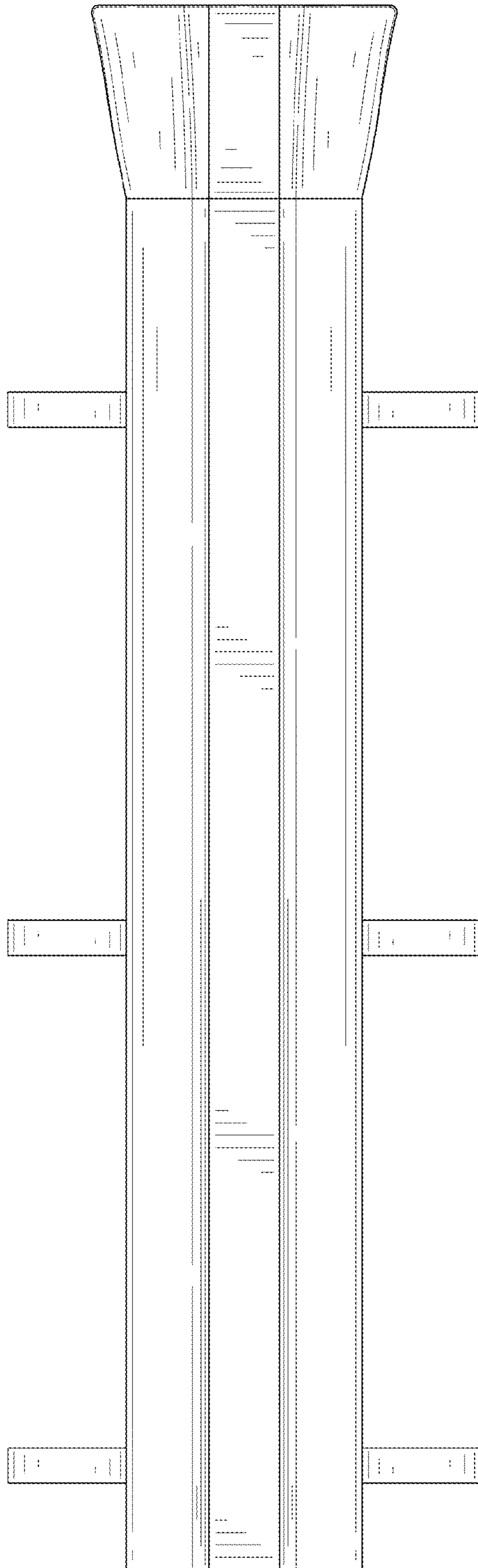


FIG. 8

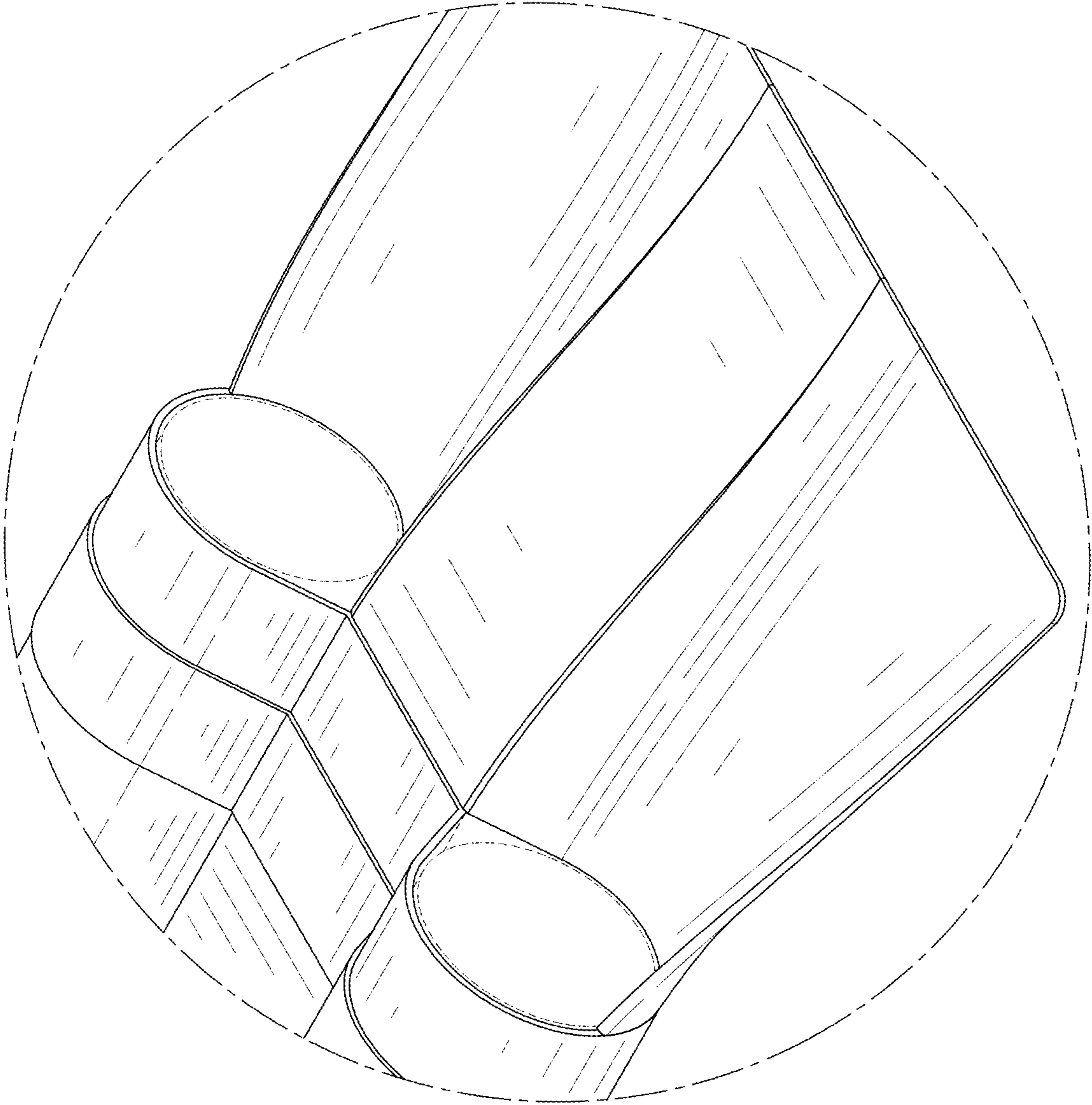


FIG. 9

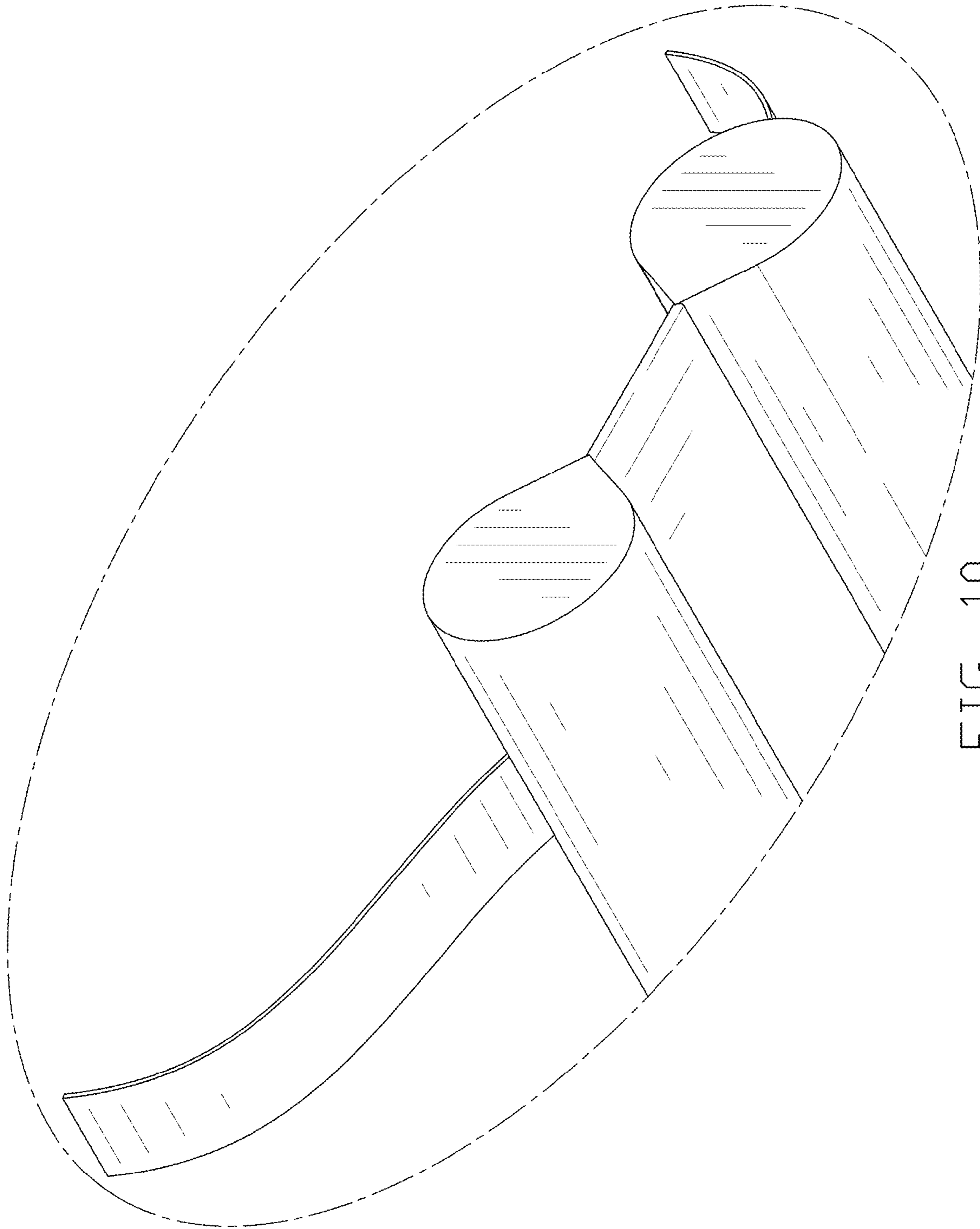


FIG. 10