



US00D983024S

(12) **United States Design Patent**
Wang

(10) **Patent No.:** **US D983,024 S**

(45) **Date of Patent:** **** Apr. 11, 2023**

- (54) **MAGNET CLIP**
- (71) Applicant: **Bohui Wang**, Hulunbeier (CN)
- (72) Inventor: **Bohui Wang**, Hulunbeier (CN)
- (73) Assignee: **Bohui Wang**, Hulunbeier (CN)
- (**) Term: **15 Years**
- (21) Appl. No.: **29/861,637**
- (22) Filed: **Dec. 1, 2022**
- (51) **LOC (14) Cl.** **08-11**
- (52) **U.S. Cl.**
USPC **D8/367; D8/395**
- (58) **Field of Classification Search**
USPC D8/367, 354, 349, 373, 356, 372, 395,
D8/394; D6/323; 248/301-304, 339,
248/205.5
CPC .. A47G 1/00; A47G 25/00; A47G 1/17; F16B
47/003
See application file for complete search history.

- 5,730,413 A * 3/1998 Chen A47G 25/0635
248/303
- 5,967,476 A * 10/1999 Chen A47G 1/20
248/304
- 6,749,165 B2 * 6/2004 Immerman A47G 1/17
248/205.5
- 6,814,335 B2 * 11/2004 Immerman A47G 25/0614
248/205.5
- D521,857 S * 5/2006 Hoffman D8/395
- D663,476 S * 7/2012 Kelly D27/183
- D704,541 S * 5/2014 Goodman et al.
- D761,097 S * 7/2016 Votel D8/394
- D761,098 S * 7/2016 Votel D8/394
- D835,183 S * 12/2018 Nieh D8/395
- D915,167 S * 4/2021 Valentini D8/70
- D956,543 S * 7/2022 Li D8/382

* cited by examiner

Primary Examiner — Cynthia R Underwood

(74) *Attorney, Agent, or Firm* — Nitin Kaushik

(57) **CLAIM**

The ornamental design for a magnet clip, as shown and described.

DESCRIPTION

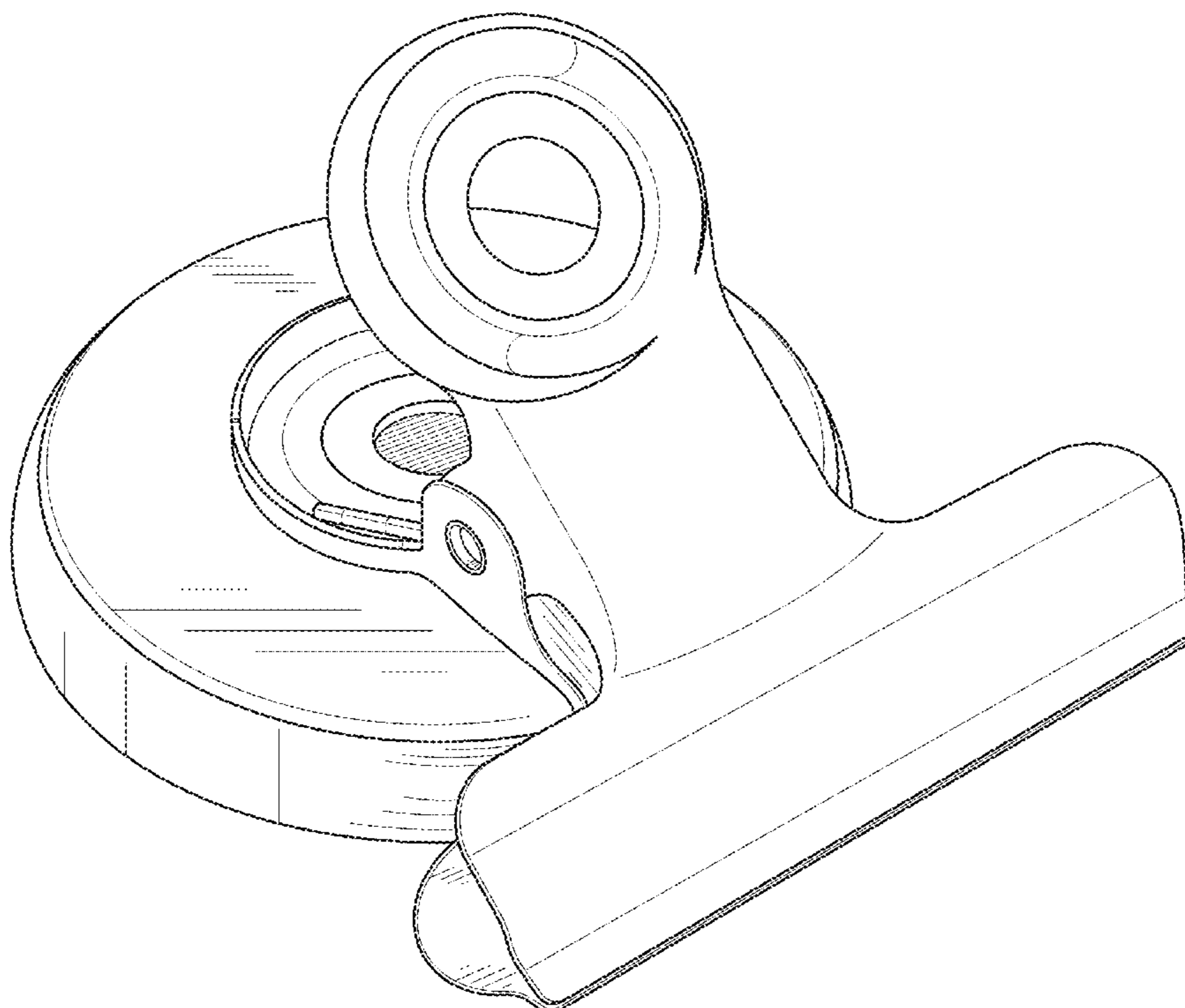
FIG. 1 is a front perspective view of a magnet clip, showing my new design;
 FIG. 2 is a front view thereof;
 FIG. 3 is a rear view thereof;
 FIG. 4 is a left side view thereof;
 FIG. 5 is a right side view thereof;
 FIG. 6 is a top view thereof; and,
 FIG. 7 is a bottom view thereof.

1 Claim, 7 Drawing Sheets

(56) **References Cited**

U.S. PATENT DOCUMENTS

- 1,133,388 A * 3/1915 Merrill G09F 3/201
24/67.5
- 3,543,633 A * 12/1970 Batten A47B 23/004
248/443
- D287,100 S * 12/1986 Saunders, IV D30/106
- D287,224 S * 12/1986 Saunders, IV D8/395
- D308,263 S * 5/1990 Cook D26/140
- D346,950 S * 5/1994 Dunn D8/367



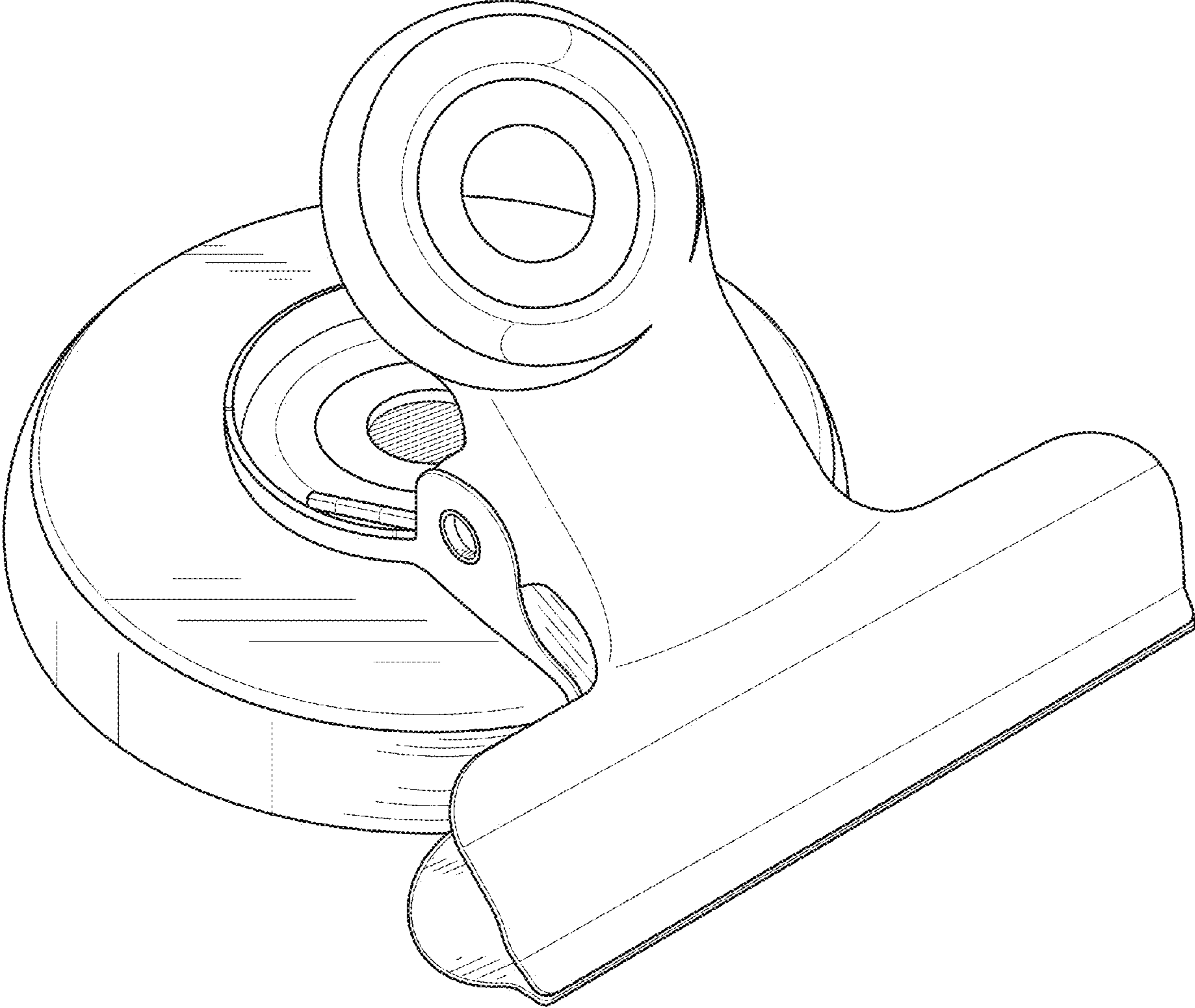


FIG. 1

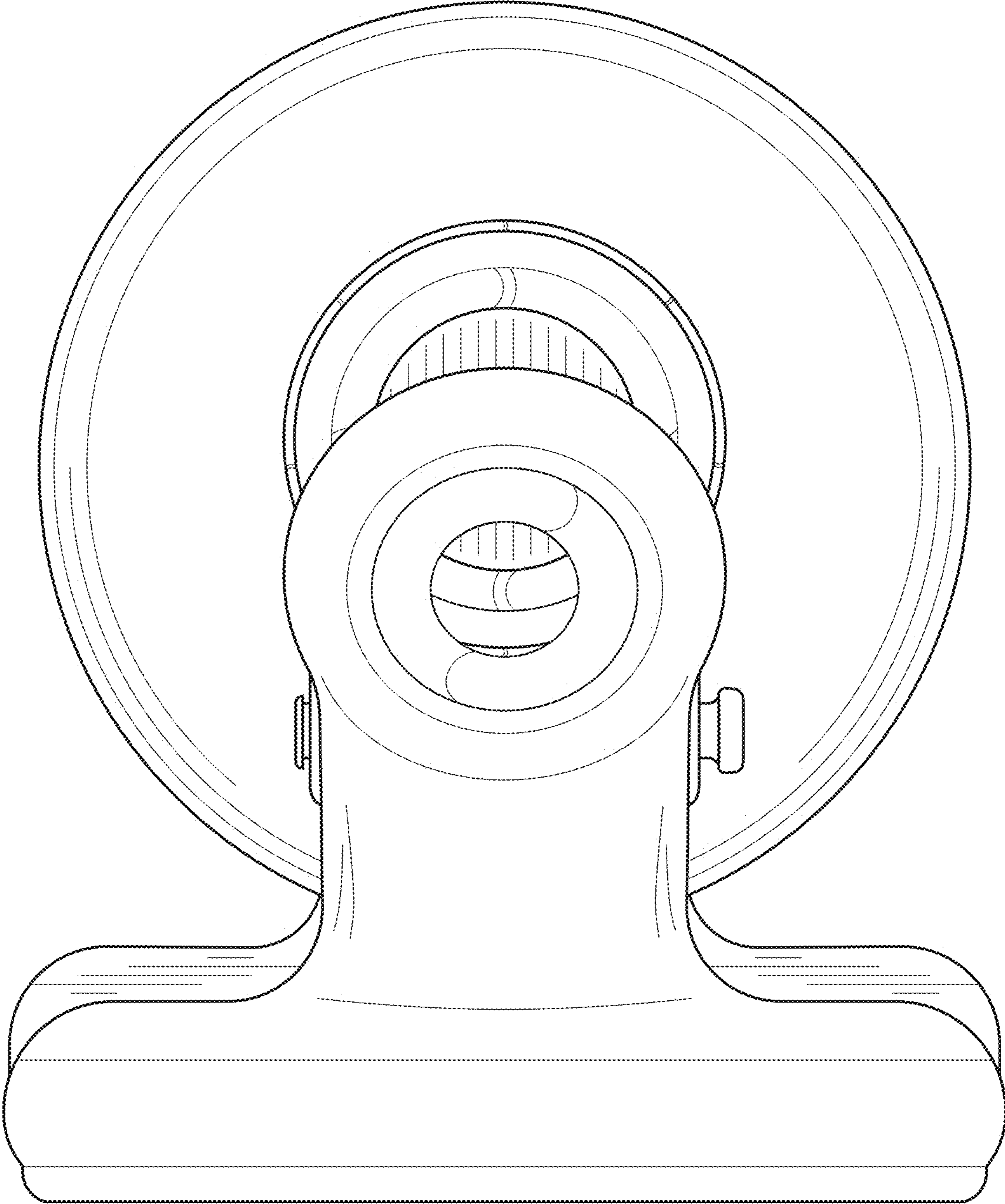


FIG. 2

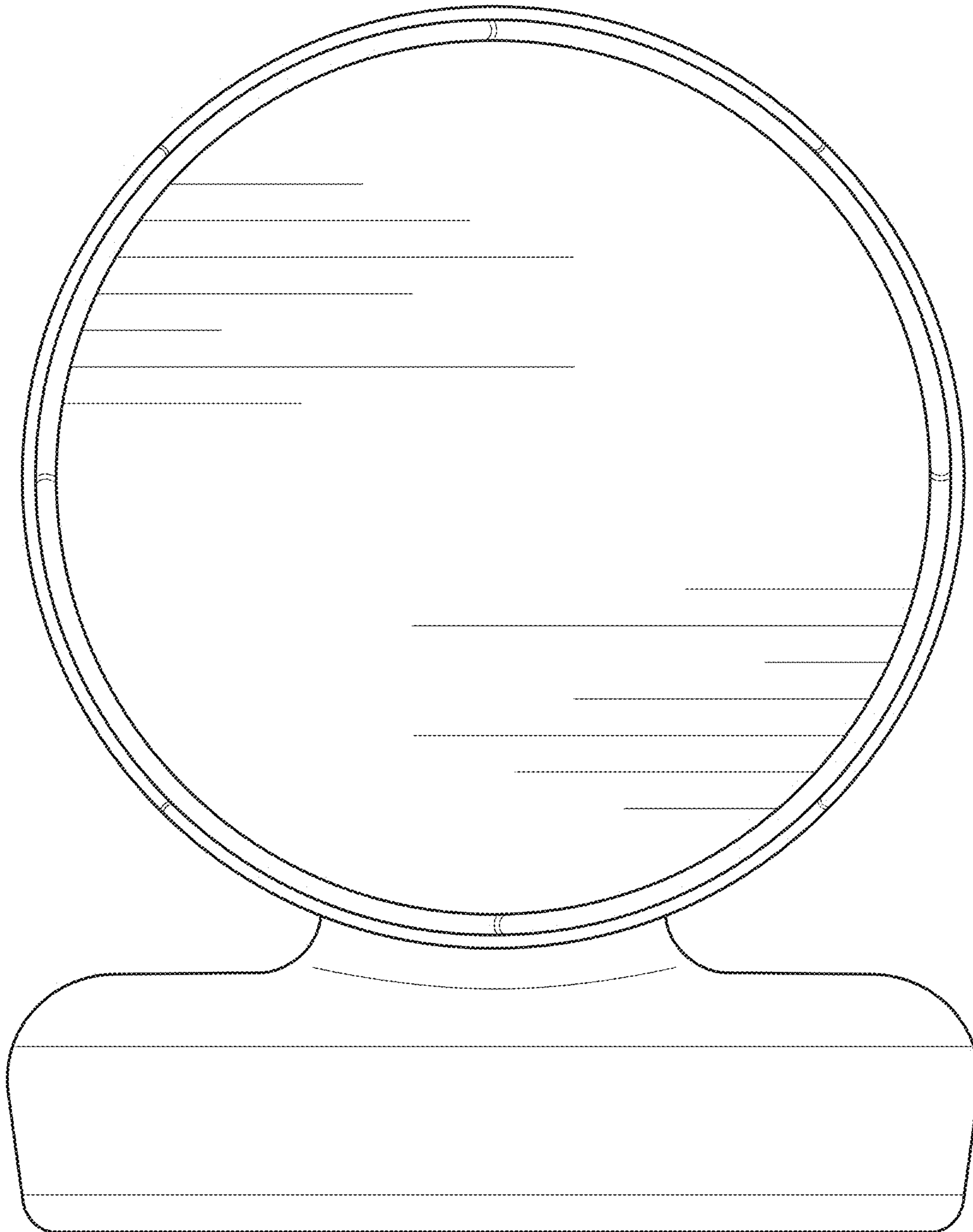


FIG. 3

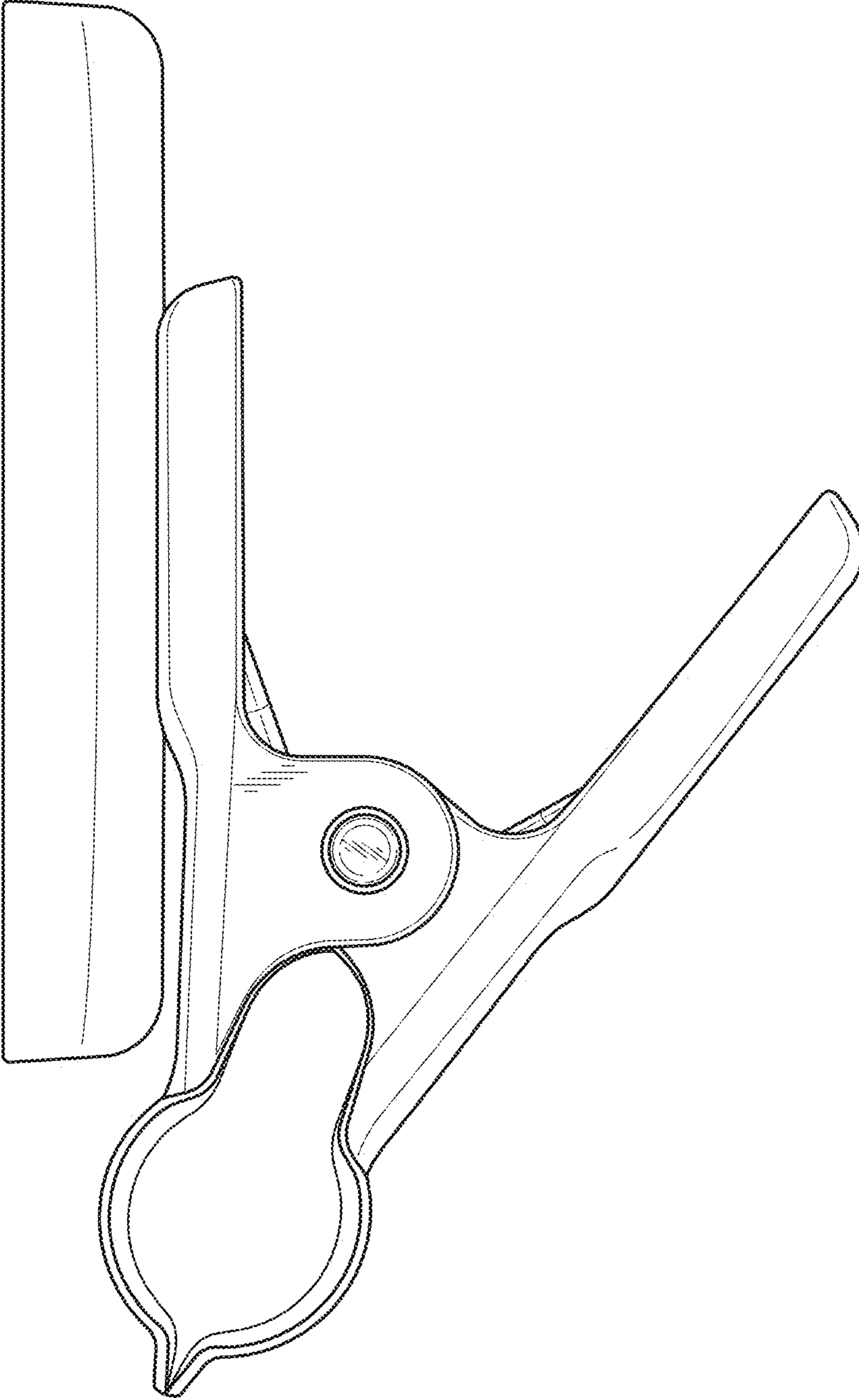


FIG. 4

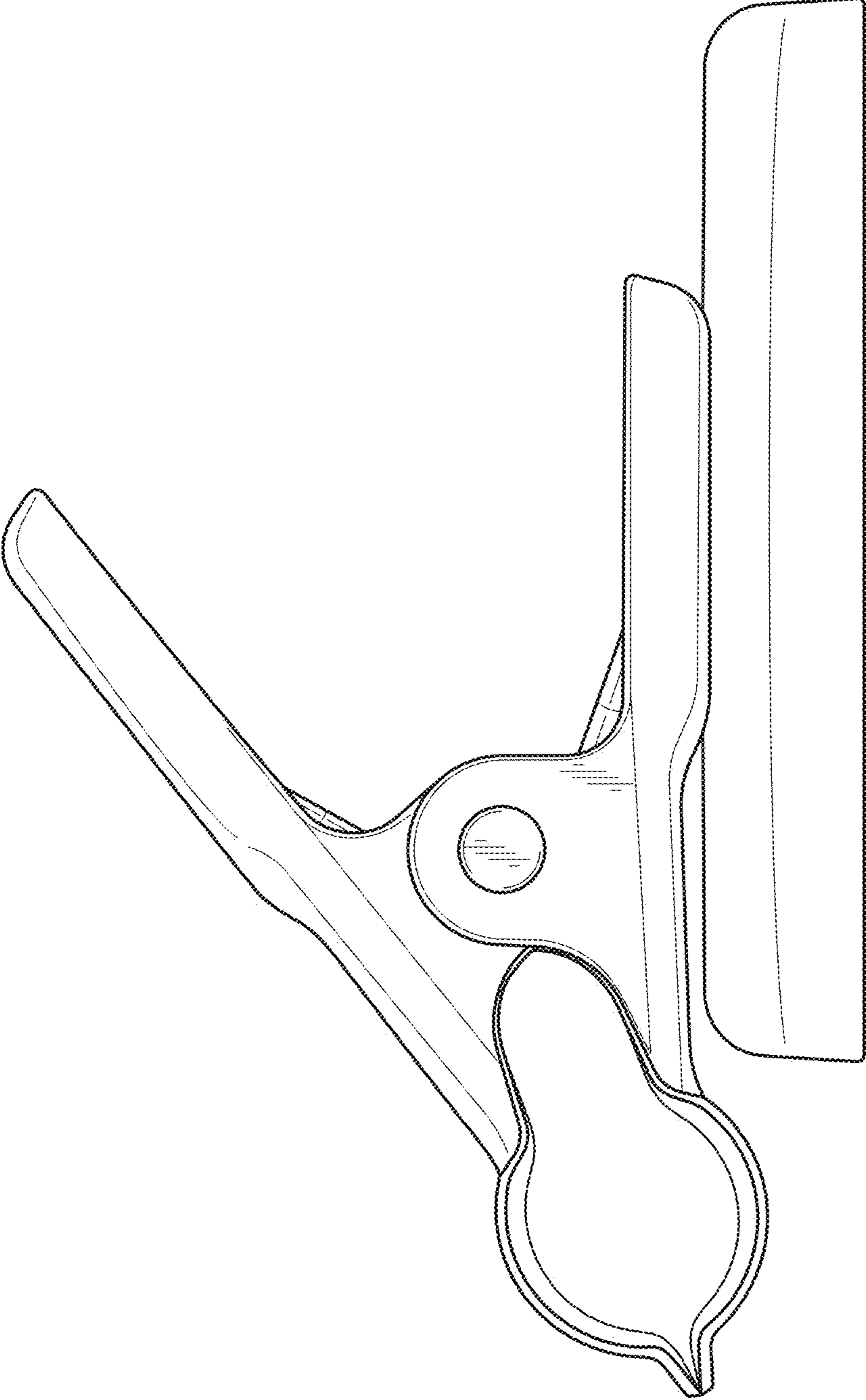


FIG. 5

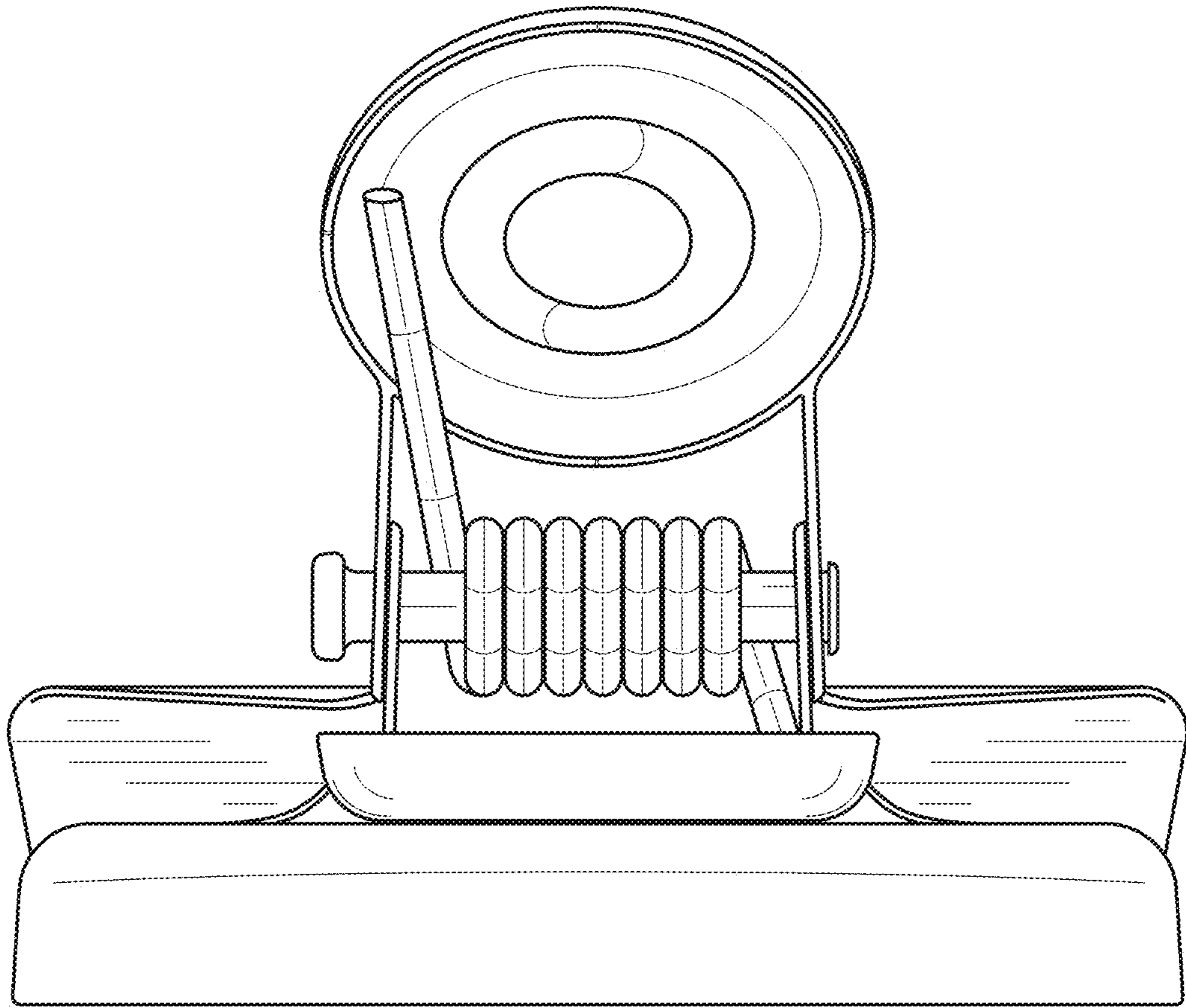


FIG. 6

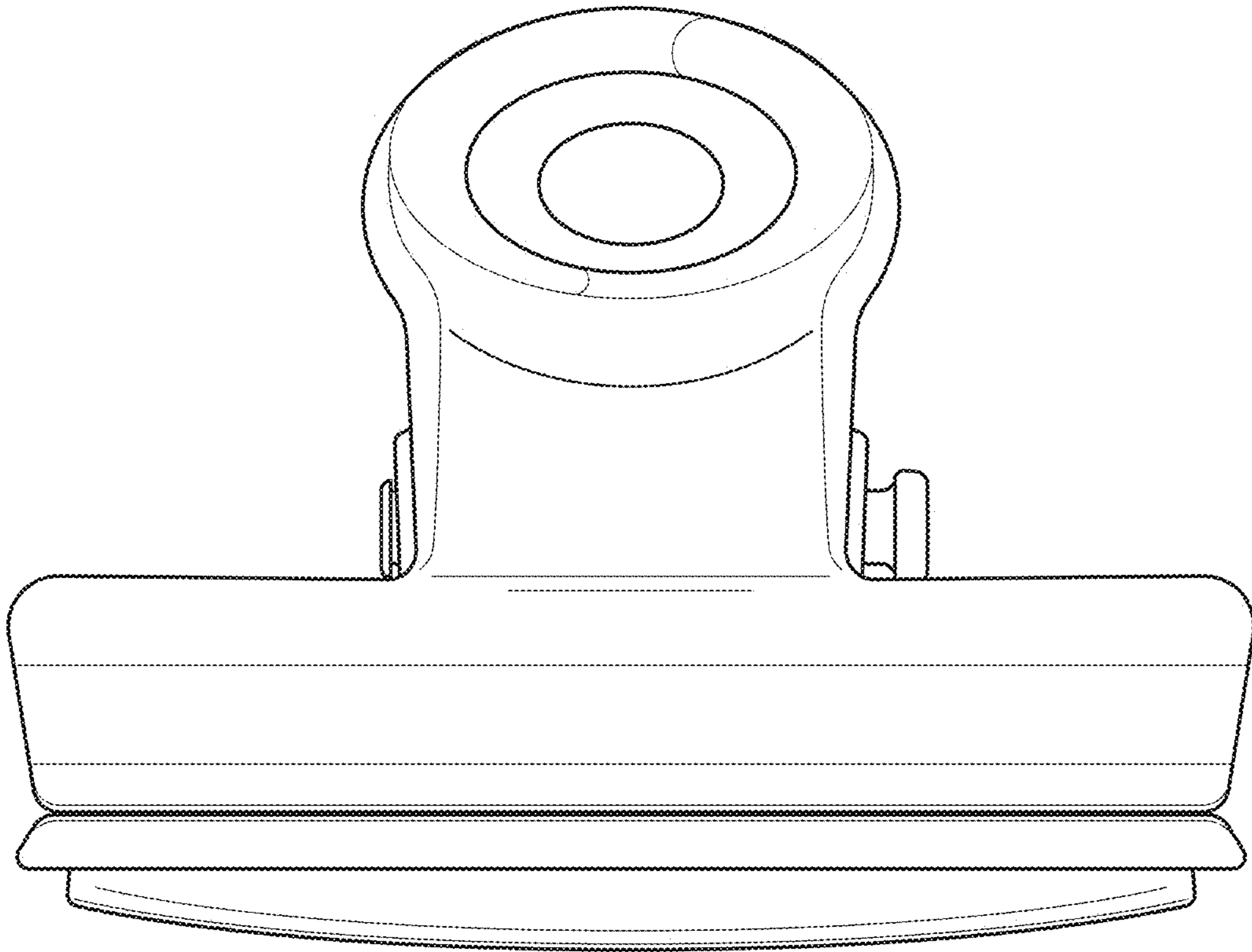


FIG. 7