



US00D983022S

(12) **United States Design Patent** (10) **Patent No.:** **US D983,022 S**  
**Brown, Jr.** (45) **Date of Patent:** **\*\* Apr. 11, 2023**

(54) **WATERCRAFT CLEAT AND TIE LINE**

(71) Applicant: **Maynard H. Brown, Jr.**, Fishers Landing, NY (US)

(72) Inventor: **Maynard H. Brown, Jr.**, Fishers Landing, NY (US)

(\*\*) Term: **15 Years**

(21) Appl. No.: **29/836,976**

(22) Filed: **Apr. 29, 2022**

(51) **LOC (14) Cl.** ..... **09-06**

(52) **U.S. Cl.**  
USPC ..... **D8/356**

(58) **Field of Classification Search**  
USPC ..... D8/356, 354, 349, 382; 361/826; D12/317  
CPC ..... A63B 29/00; A63B 27/00; B63B 59/02; B63B 21/045; H05K 5/0247  
See application file for complete search history.

(56) **References Cited**

**U.S. PATENT DOCUMENTS**

- 3,812,811 A 5/1974 Rodriguez
- D247,364 S \* 2/1978 Schulz ..... D8/382
- 4,095,548 A 6/1978 Bruner
- D255,419 S \* 6/1980 Hume ..... D8/382
- 5,297,499 A 3/1994 Grange
- 7,124,699 B1 10/2006 Clark
- D533,442 S \* 12/2006 Baylor ..... D8/382
- 7,731,131 B2 \* 6/2010 Trueb ..... E04D 13/00  
248/68.1
- D630,933 S \* 1/2011 Marr, Jr. .... D8/356
- 8,025,431 B1 \* 9/2011 Burke ..... B63B 21/045  
362/477
- D704,536 S \* 5/2014 Porta ..... D8/356

- 8,807,492 B2 \* 8/2014 Lake ..... F16L 1/0246  
248/65
- D762,461 S \* 8/2016 Kirkham ..... D8/356
- D830,948 S \* 10/2018 Fenchak ..... D12/414
- 10,501,154 B2 \* 12/2019 Brezina ..... B63B 17/00
- D907,988 S \* 1/2021 Yu ..... D8/356
- D932,878 S \* 10/2021 Tung ..... D8/356
- D941,122 S \* 1/2022 Phillips ..... D8/356
- D947,654 S \* 4/2022 Liu ..... D8/356
- 2008/0054143 A1 \* 3/2008 Collins ..... F16L 3/02  
248/227.2
- 2019/0263478 A1 8/2019 Roller

**FOREIGN PATENT DOCUMENTS**

EP 1003668 B1 3/2005

\* cited by examiner

*Primary Examiner* — Cynthia R Underwood

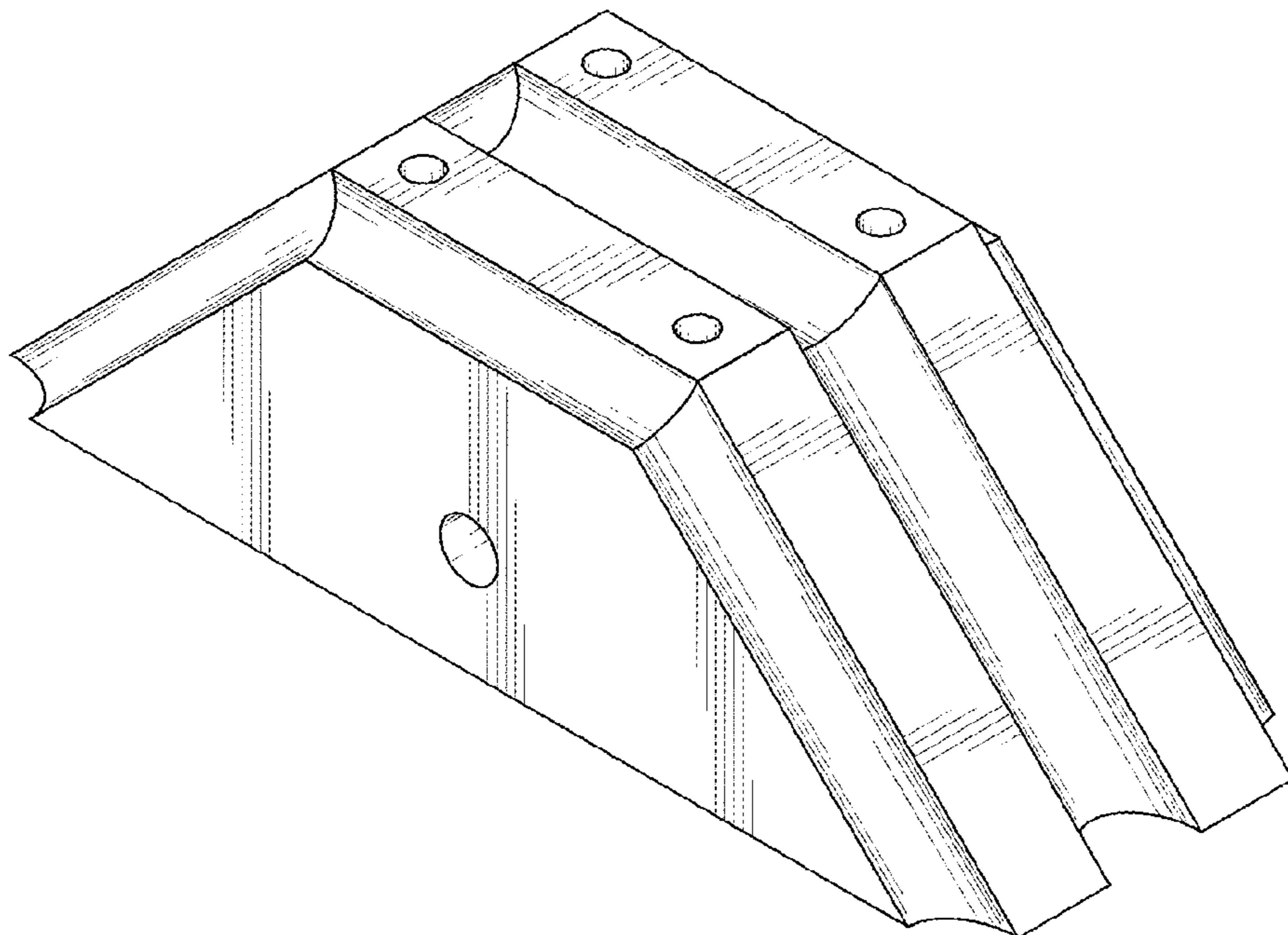
(57) **CLAIM**

The ornamental design for a watercraft cleat and tie line, as shown and described.

**DESCRIPTION**

FIG. 1 is a top-front-left perspective view of a watercraft cleat and tie line showing my new design;  
 FIG. 2 is a bottom-rear-right perspective view thereof;  
 FIG. 3 is a front elevational view thereof;  
 FIG. 4 is a rear elevational view thereof;  
 FIG. 5 is a right elevational view thereof;  
 FIG. 6 is a left elevational view thereof;  
 FIG. 7 is a top plan view thereof; and,  
 FIG. 8 is a bottom plan view thereof.  
 The broken line showing a tie line in FIG. 7 is included for the purpose of illustrating environmental structure and forms no part of the claimed design.

**1 Claim, 8 Drawing Sheets**



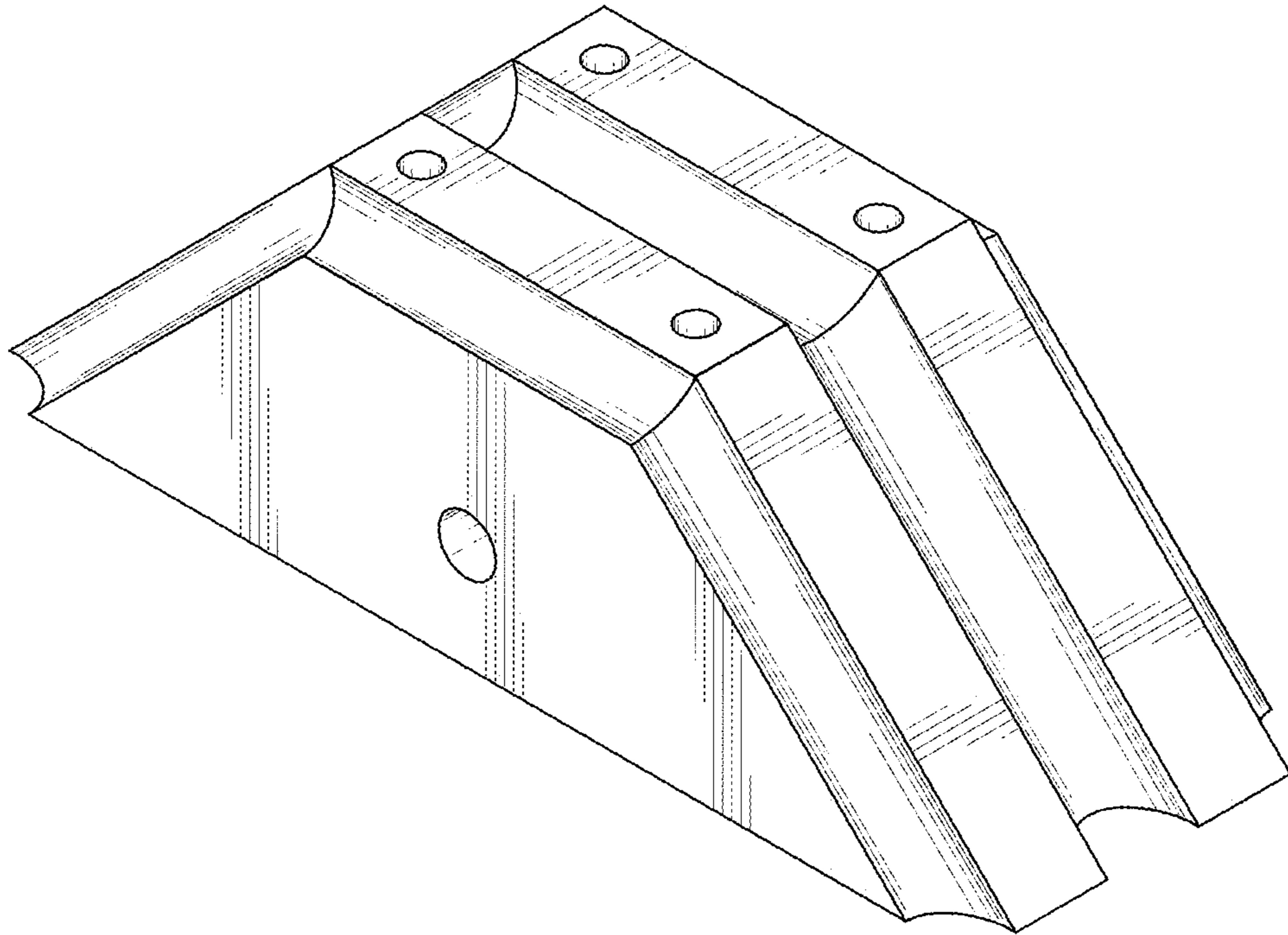


FIG. 1

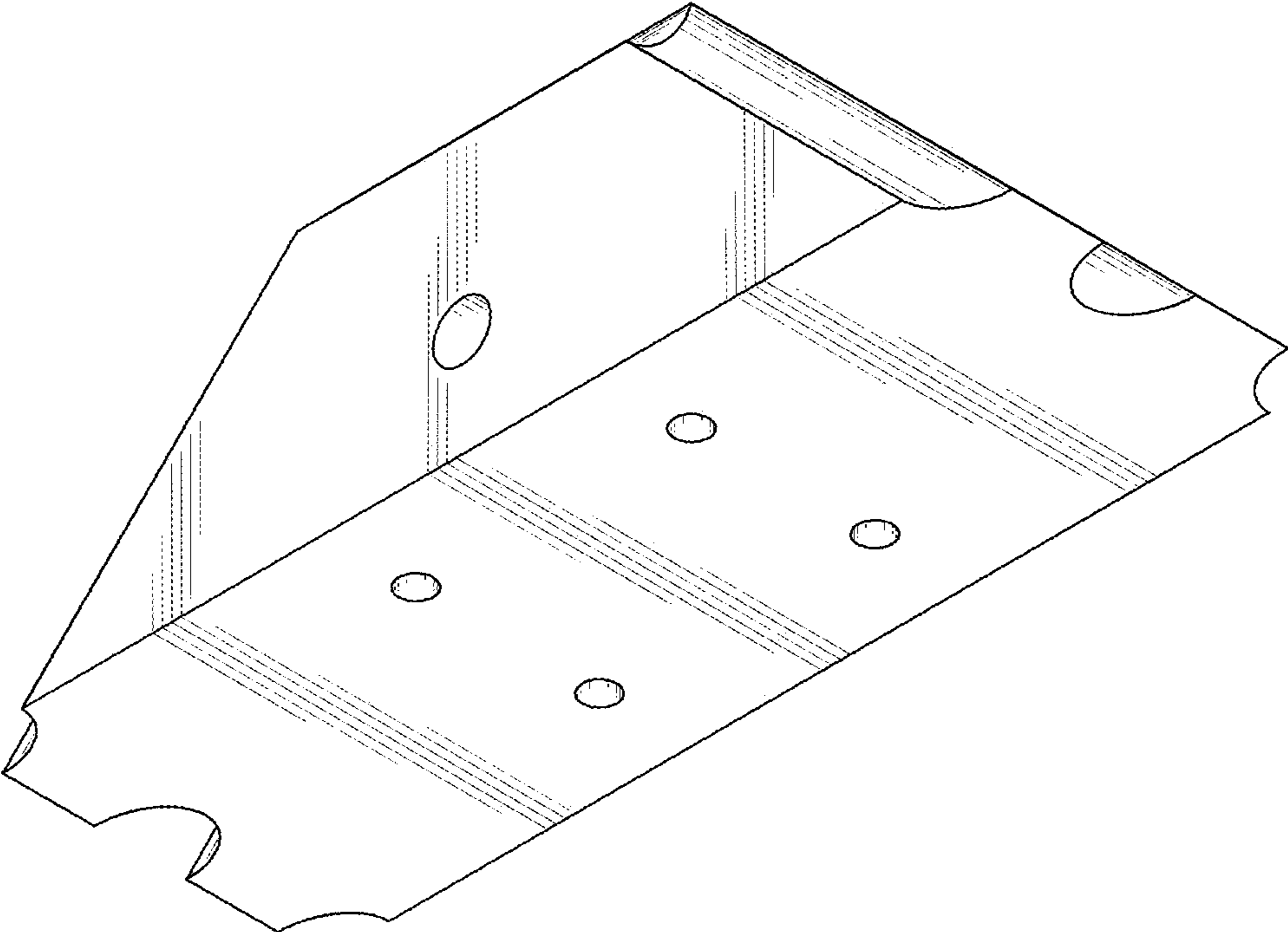


FIG. 2

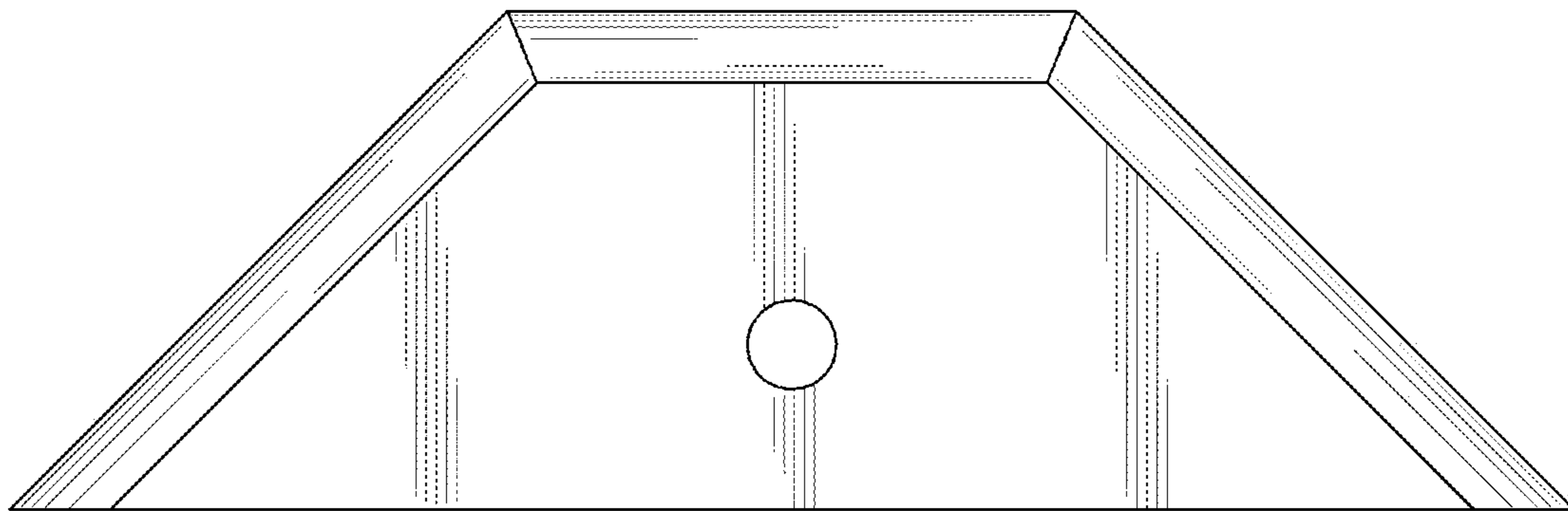


FIG. 3

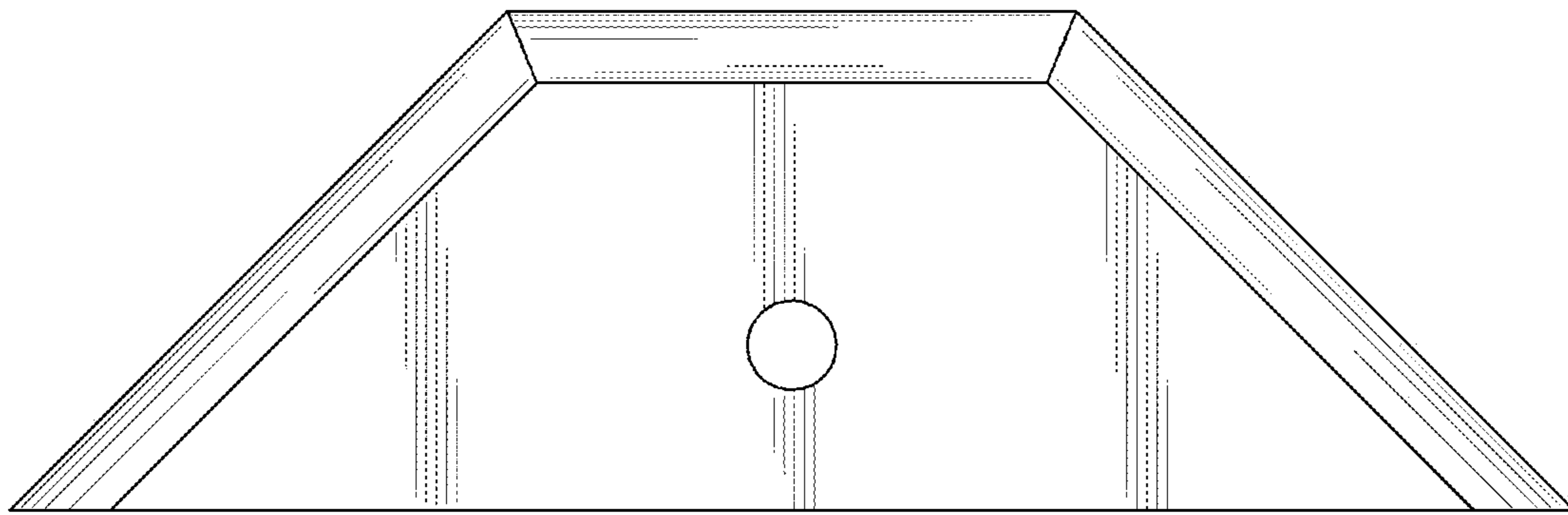


FIG. 4

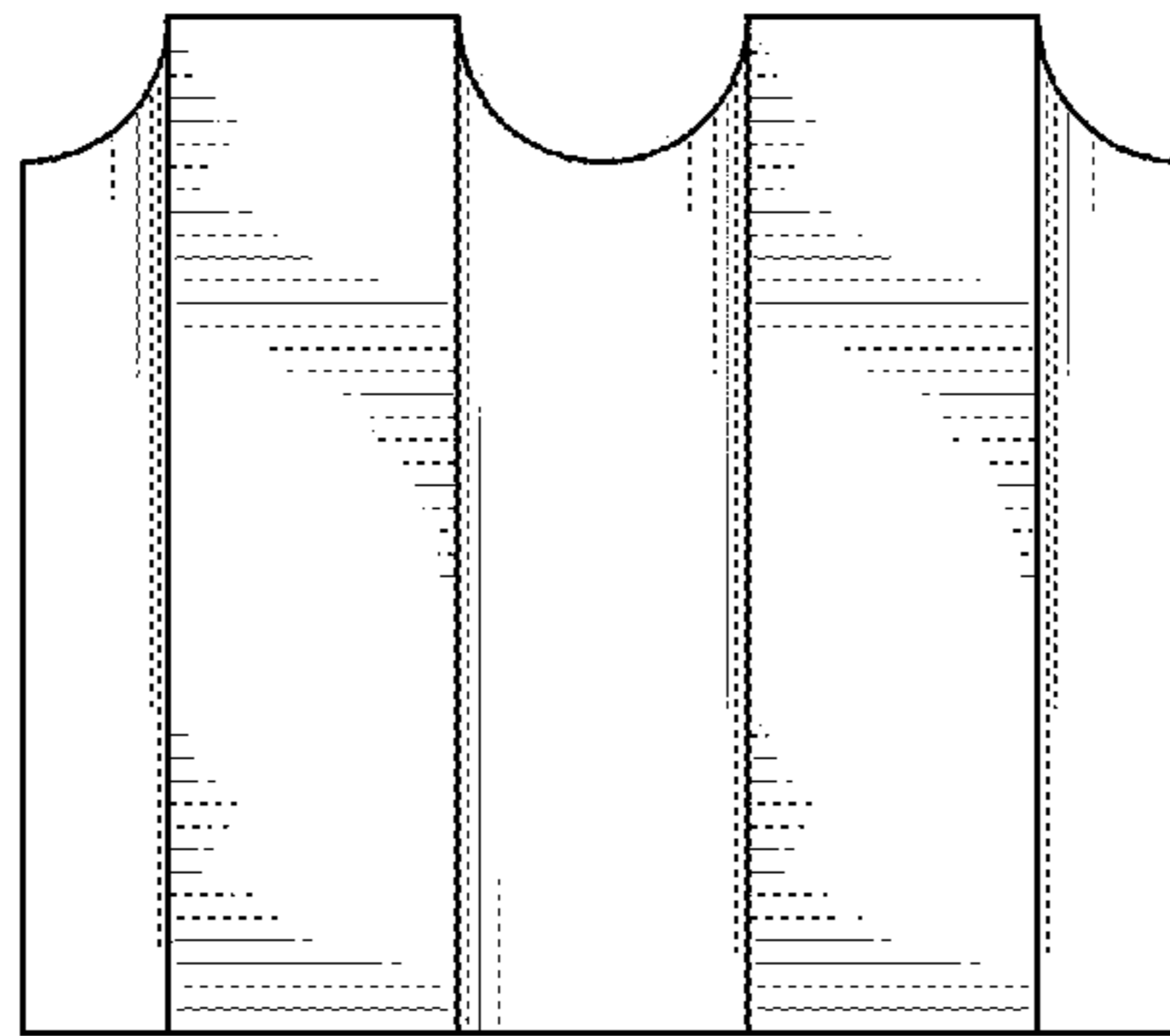


FIG. 5

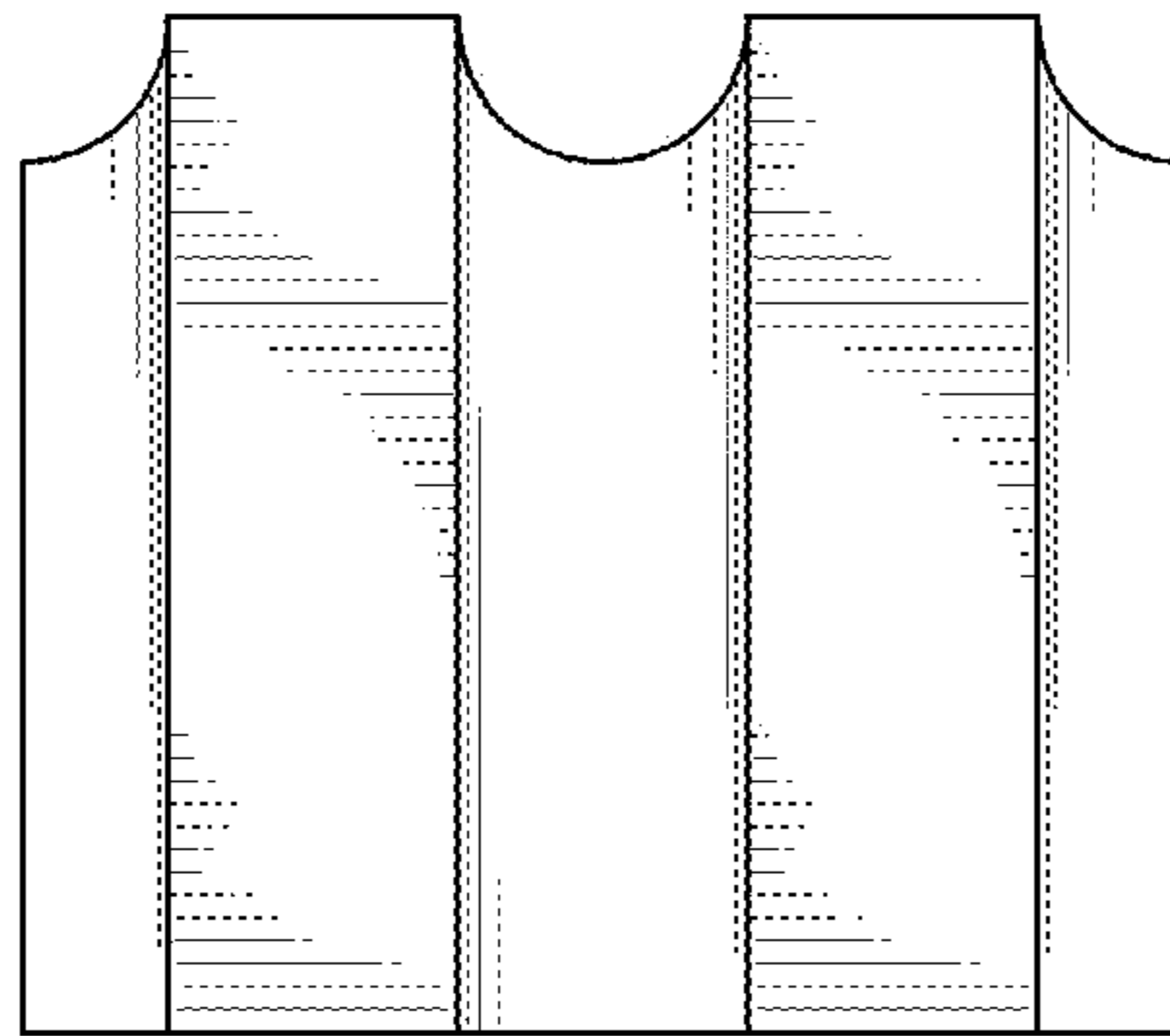


FIG. 6



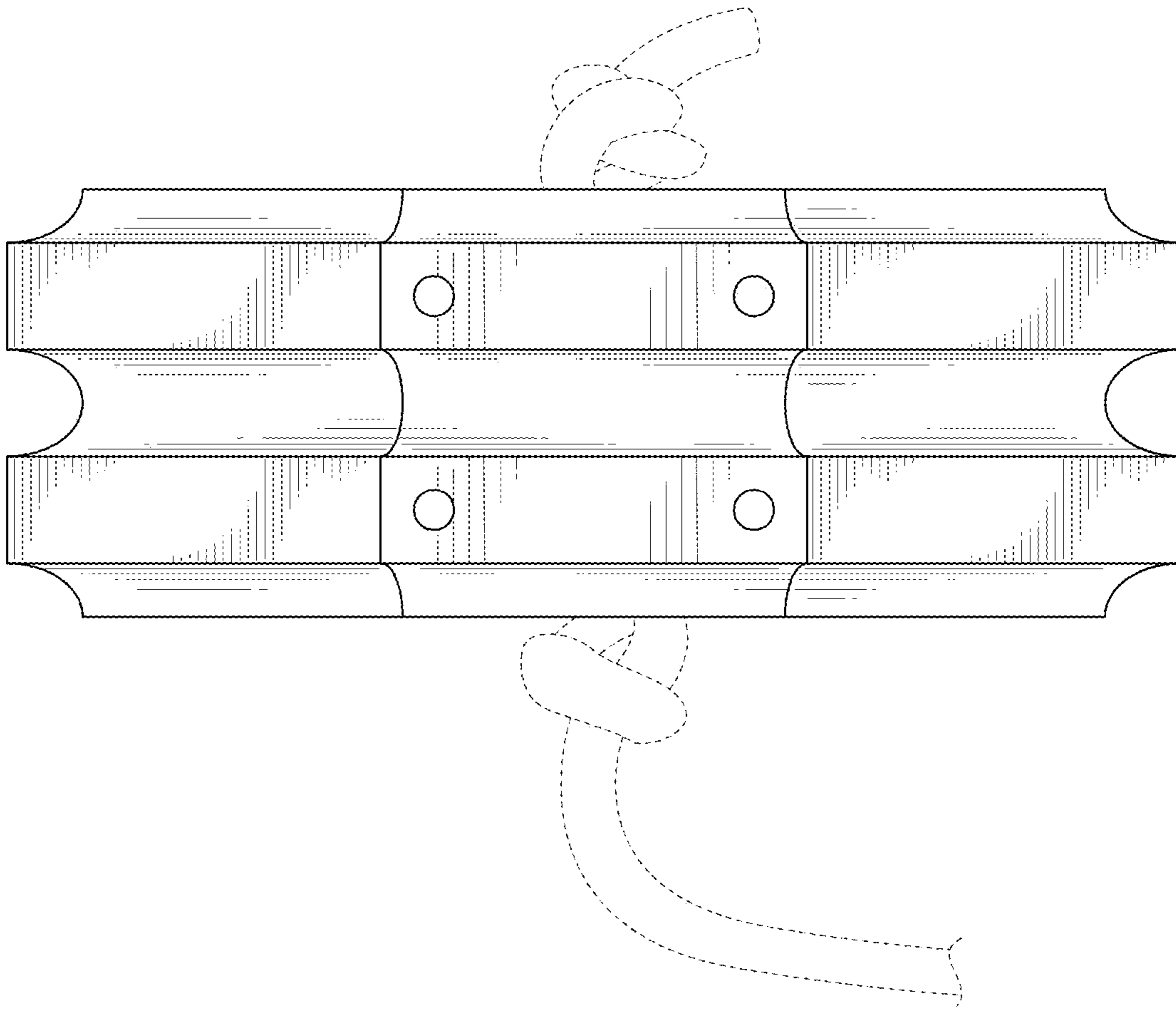


FIG. 7



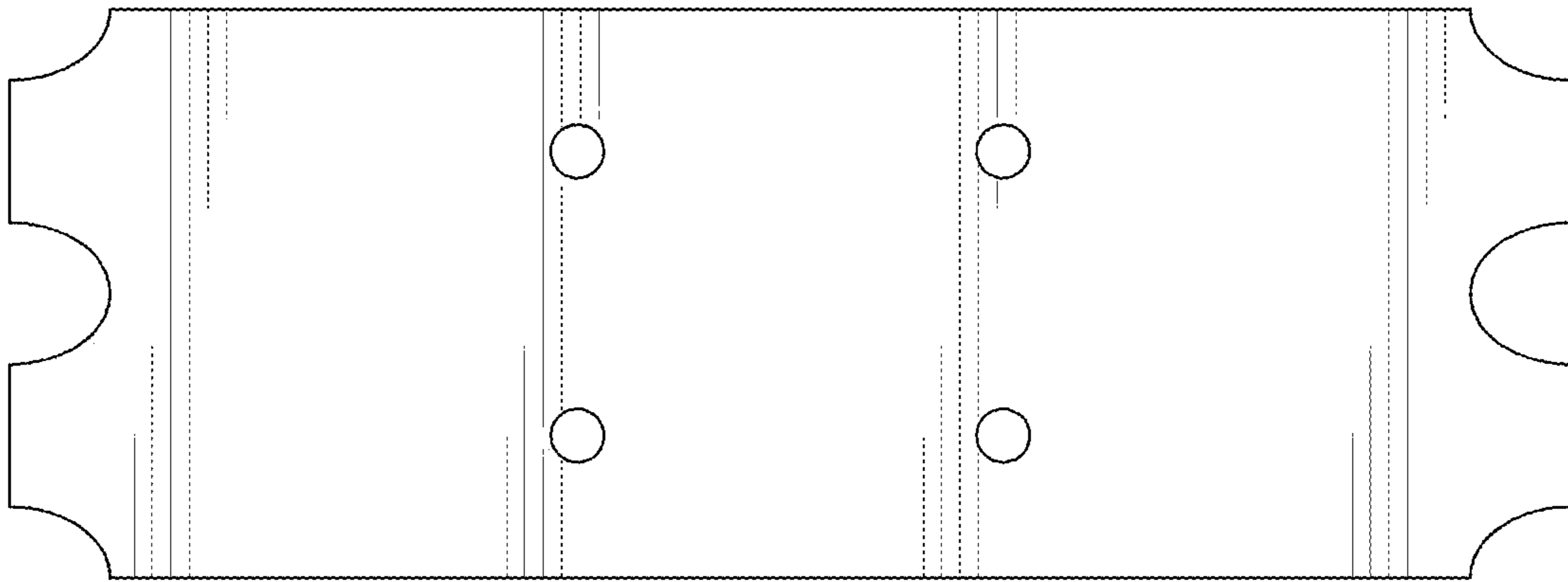


FIG. 8