



US00D983020S

(12) **United States Design Patent**
Gracia

(10) **Patent No.:** **US D983,020 S**

(45) **Date of Patent:** **** Apr. 11, 2023**

(54) **FIXING BRACKET**

(71) Applicant: **GEROX WORKS, S.L.**, Rat Penat (ES)

(72) Inventor: **Carlos Joaquin Gusi Gracia**, Rat Penat (ES)

(**) Term: **15 Years**

(21) Appl. No.: **35/512,332**

(22) Filed: **Jun. 4, 2021**

(80) **Hague Agreement Data**

Int. Filing Date: **Jun. 4, 2021**

Int. Reg. No.: **DM/215543**

Int. Reg. Date: **Jun. 4, 2021**

Int. Reg. Pub. Date: **Aug. 6, 2021**

(30) **Foreign Application Priority Data**

Dec. 7, 2020 (EM) 008311179-0004

(51) **LOC (14) Cl.** **08-05**

(52) **U.S. Cl.**
USPC **D8/354**

(58) **Field of Classification Search**
USPC D8/354; D12/223
CPC F16B 2/20; F16B 2/185
See application file for complete search history.

(56) **References Cited**

U.S. PATENT DOCUMENTS

D375,718 S *	11/1996	Lazzeroni	D12/114
D590,700 S *	4/2009	Brockington	D8/373
D747,225 S *	1/2016	Decook	D8/381
D811,308 S *	2/2018	Kim	D12/223
D822,458 S *	7/2018	Campbell	D8/354
D847,534 S *	5/2019	Frio	D6/553
D847,609 S *	5/2019	Ng	D8/354
D916,581 S *	4/2021	Axelsson	D8/349
2009/0096235 A1 *	4/2009	Tanaka	B60R 1/04 296/1.11
2011/0141595 A1 *	6/2011	Carnevali	B60R 1/04 359/871
2020/0301484 A1 *	9/2020	Lin	F16B 2/22
2022/0095056 A1 *	3/2022	Ji	H04R 1/1016

* cited by examiner

Primary Examiner — Keli L Hill

Assistant Examiner — Harold E Blackwell, II

(57) **CLAIM**

The ornamental design for a fixing bracket, as shown and described.

DESCRIPTION

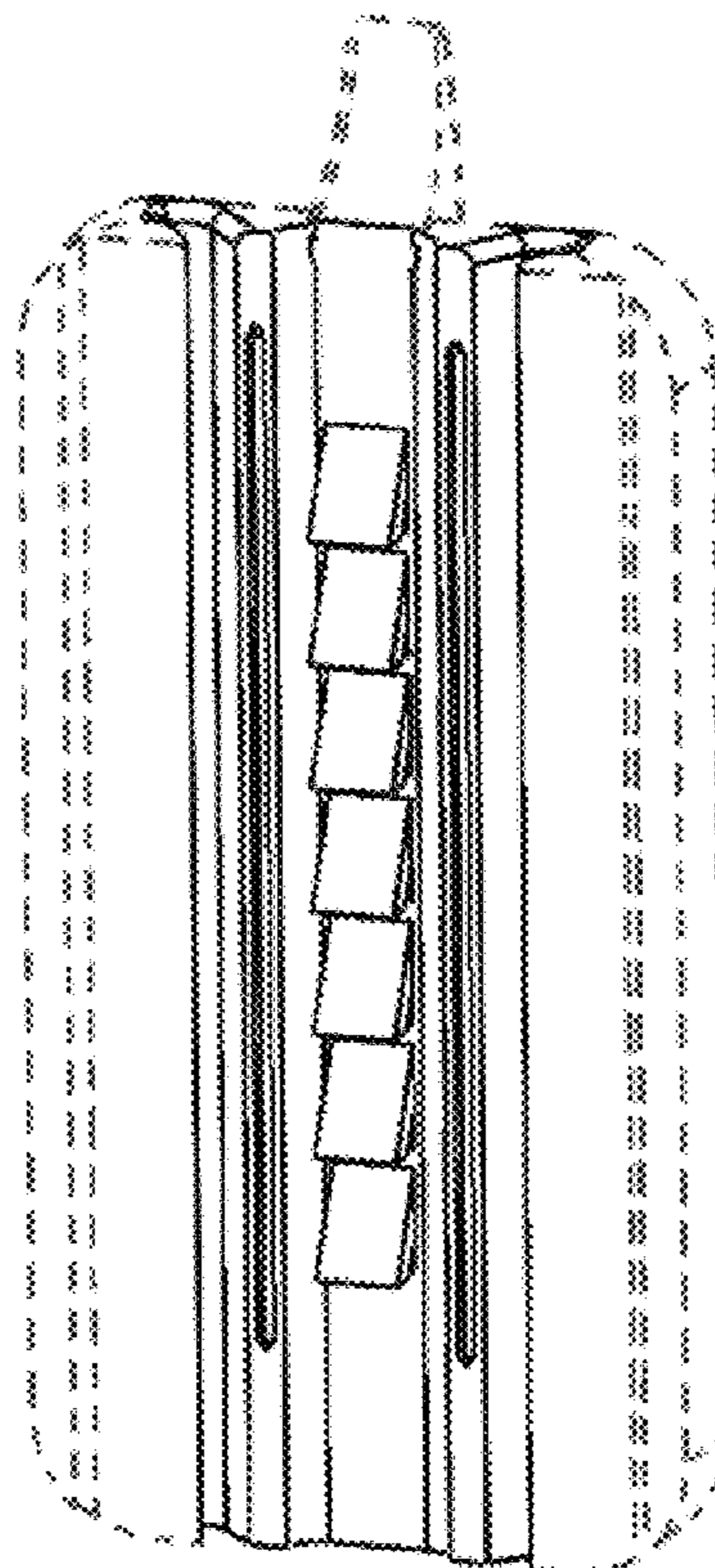
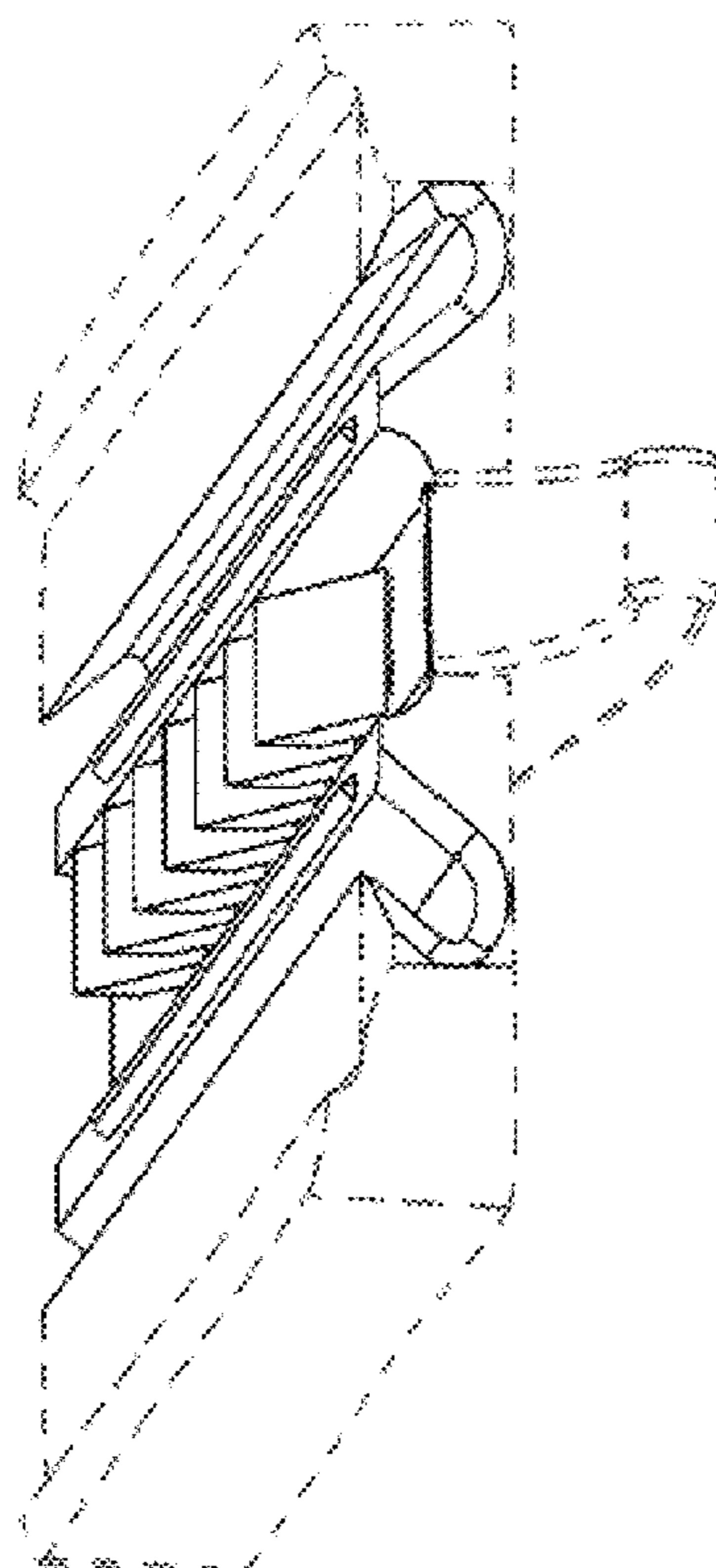
1. Fixing bracket

1.1 : Top, right-side perspective

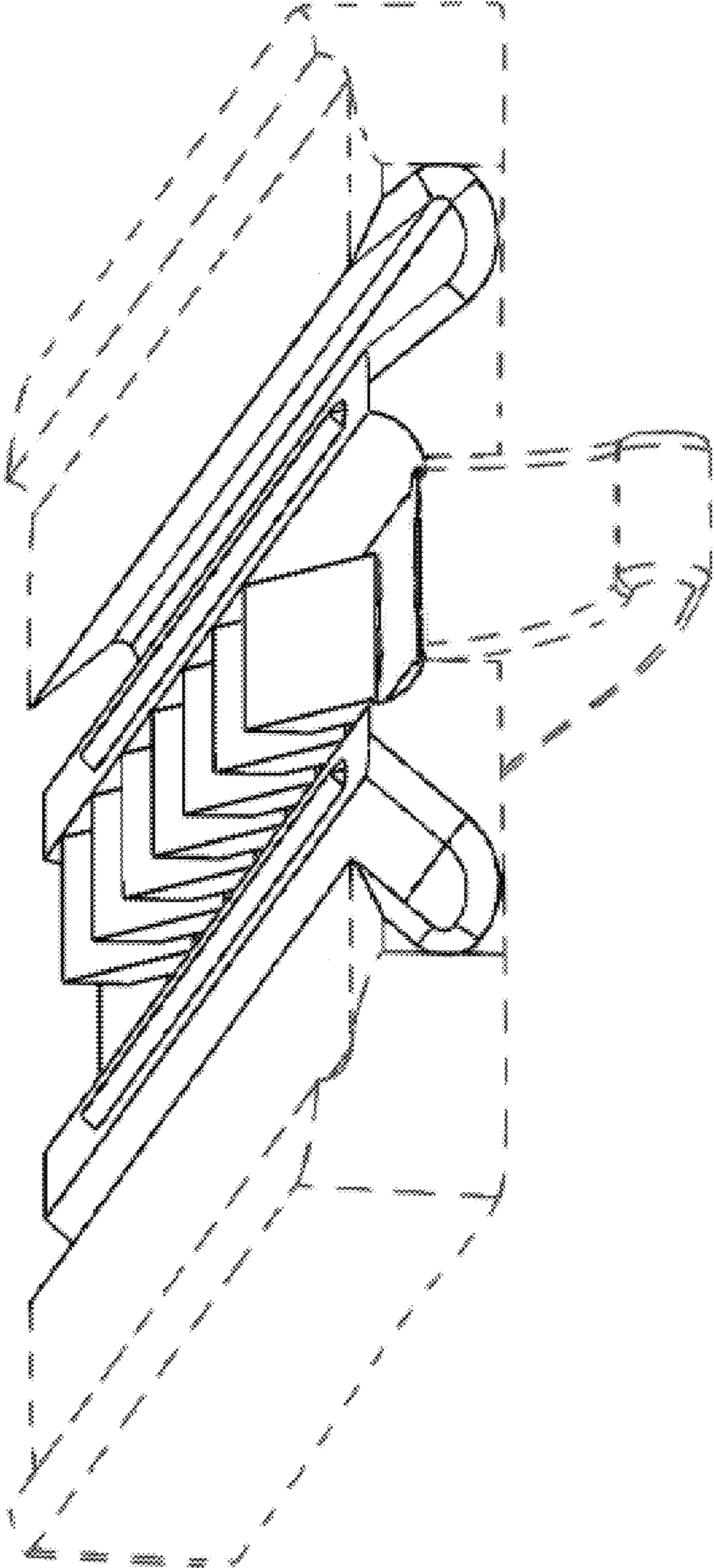
1.2 : Front, top, right-side perspective

The broken lines show portions of the fixing bracket that form no part of the claimed design.

1 Claim, 2 Drawing Sheets



1.1



1.2

