



US00D983018S

(12) **United States Design Patent**
Jasmin et al.

(10) **Patent No.:** **US D983,018 S**
(45) **Date of Patent:** **** Apr. 11, 2023**

(54) **ROOF MOUNT BRACKET FOR MOUNTING SOLAR PANELS**

(71) Applicant: **Sunmodo Corporation**, Vancouver, WA (US)

(72) Inventors: **Roland Jasmin**, Portland, OR (US);
Steve Mumma, Oregon City, OR (US)

(73) Assignee: **Sunmodo Corporation**, Vancouver, WA (US)

(**) Term: **15 Years**

(21) Appl. No.: **29/869,483**

(22) Filed: **Dec. 30, 2022**

(51) **LOC (14) Cl.** **08-05**

(52) **U.S. Cl.**
USPC **D8/354**

(58) **Field of Classification Search**
USPC D8/349, 354, 355, 363, 371, 373
CPC .. A45F 2200/0433; A45F 3/14; B60P 7/0823;
A45C 13/30; A45C 11/38
See application file for complete search history.

(56) **References Cited**

U.S. PATENT DOCUMENTS

D16,571 S	3/1886	Kenna	
712,824 A	11/1902	Masland	
D173,720 S	12/1954	Carver et al.	
4,344,593 A	8/1982	Canto	
D278,111 S	3/1985	Mazeika	
4,835,935 A	6/1989	Murphy	
D312,382 S	11/1990	Ryll	
D357,400 S	4/1995	Sachs	
5,720,571 A	2/1998	Frobosilo et al.	
D432,901 S *	10/2000	McDonald	D8/354
6,213,679 B1	4/2001	Frobosilo et al.	
D546,366 S	7/2007	Dittmer	
D584,597 S	1/2009	Menard	

D598,272 S *	8/2009	Tejszerski	D8/349
8,122,648 B1 *	2/2012	Liu	F24S 25/61 52/173.3
8,136,311 B2 *	3/2012	Liu	F24S 25/61 52/173.3

(Continued)

FOREIGN PATENT DOCUMENTS

AU	2009100911 A4	10/2009
CN	206559283 U	10/2017

(Continued)

OTHER PUBLICATIONS

Flash Loc Brochure, Doc. No. JUNE_2021_FLASHLOCCOMP_V2, Jun. 2021, Unirac, Albuquerque, NM.

(Continued)

Primary Examiner — Keli L Hill

Assistant Examiner — Harold E Blackwell, II

(74) *Attorney, Agent, or Firm* — Stone Creek Services LLC; Alan M Flum

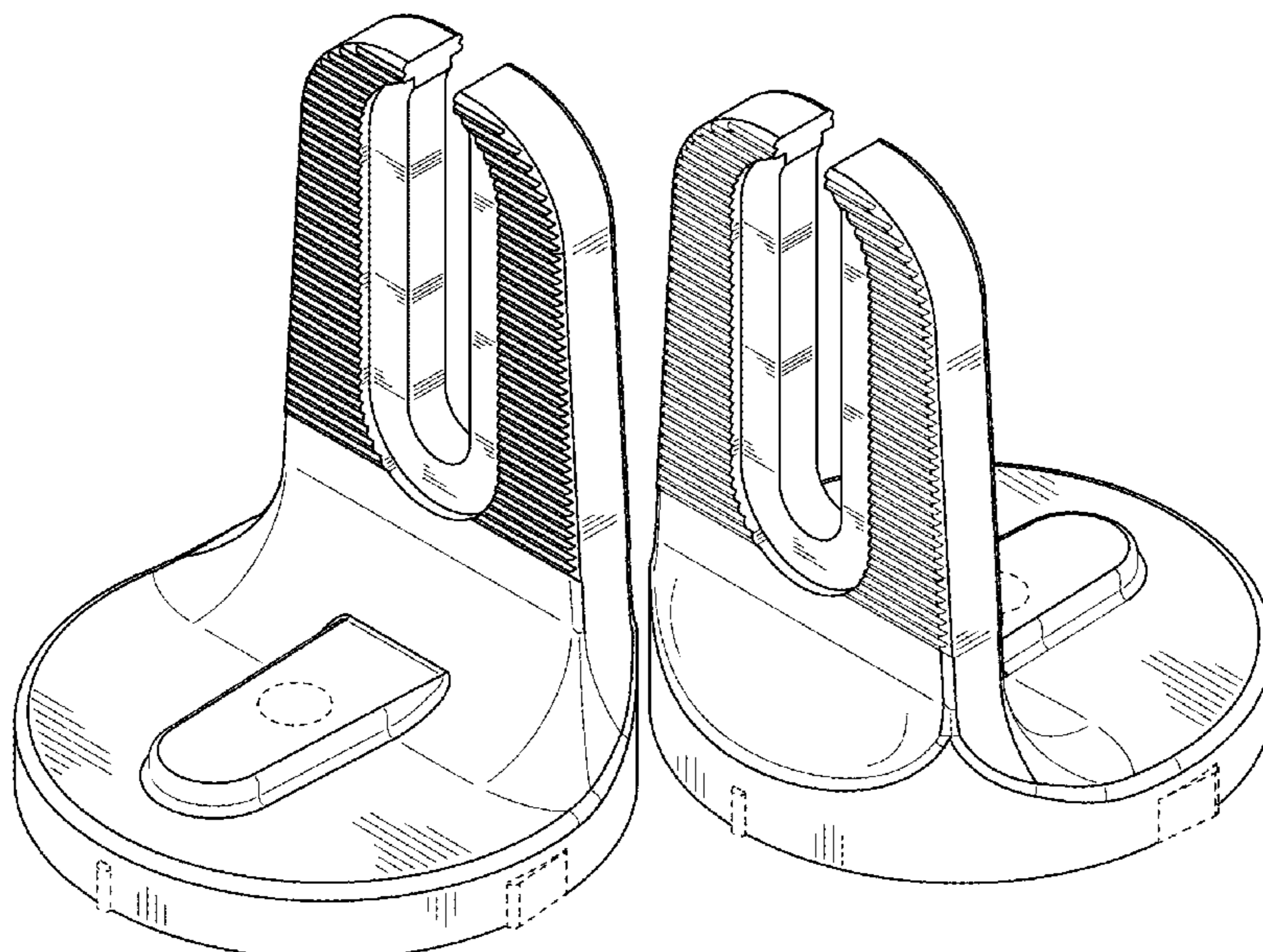
(57) **CLAIM**

The ornamental design for a roof mount bracket for mounting solar panels, as shown and described.

DESCRIPTION

FIG. 1 is a front isometric view of the roof mount bracket for mounting solar panels showing our new design; FIG. 2 is a rear isometric view thereof; FIG. 3 is a front elevation view thereof; FIG. 4 is a rear elevation view thereof; FIG. 5 is a left side elevation view thereof; FIG. 6 is a right side elevation view thereof; FIG. 7 is a top plan view thereof; and, FIG. 8 is a bottom plan view thereof. The broken lines represent structures or features that form no part of the claim design.

1 Claim, 8 Drawing Sheets



(56)

References Cited

U.S. PATENT DOCUMENTS

D666,473 S 9/2012 Despotellis
 D666,474 S 9/2012 Despotellis
 D666,895 S 9/2012 Despotellis
 D684,033 S * 6/2013 Preda D8/354
 8,938,932 B1 1/2015 Wentworth et al.
 D725,999 S 4/2015 Wu
 D727,395 S 4/2015 Choi et al.
 9,850,638 B2 12/2017 Despotellis
 D818,517 S 5/2018 Szarawarski
 D832,860 S * 11/2018 Murphey D14/452
 D833,851 S 11/2018 Kanter
 10,205,418 B2 * 2/2019 Nayar F24S 25/613
 D866,299 S * 11/2019 Kovacs F24S 25/61
 D8/354
 D866,300 S * 11/2019 Mercier F24S 25/61
 D8/354
 10,601,361 B2 * 3/2020 Tomolillo H02S 30/00
 10,633,858 B2 4/2020 Stahl, Jr. et al.
 D884,302 S 5/2020 Azzaro
 D909,853 S 2/2021 Jasmin
 10,998,847 B2 5/2021 Stephan et al.
 11,296,648 B1 4/2022 Jasmin et al.
 D962,039 S 8/2022 Fehr et al.
 11,463,040 B2 10/2022 Affentranger, Jr.
 11,486,134 B2 11/2022 Meine

2012/0049022 A1 3/2012 Coyle
 2015/0270802 A1 * 9/2015 Schaefer F24S 25/61
 248/237
 2020/0309184 A1 10/2020 Schuit et al.
 2022/0195735 A1 6/2022 Ochi
 2022/0372762 A1 11/2022 Gallegos

FOREIGN PATENT DOCUMENTS

DE 29718172 U1 11/1997
 FR 2876168 A1 4/2006
 FR 2970284 A1 7/2012
 GB 2457714 A 8/2009
 JP H0790296 B2 10/1995
 KR 20130039030 A 4/2013
 WO 2021102062 A1 5/2021
 WO 2022169989 A1 11/2022

OTHER PUBLICATIONS

GripCap+ Brochure, FV-GCP-01-YX-MAN Rev 1.21, Oct. 2022, Ironridge (Esdec Solar Group Company), Hayward, California.
 Comp Mount, Jun. 2021, Pegasus Solar Inc., Richmond, California.
 Solar's Fastest Attachment NanoMount Rafter or Deck, NanoMount One Sheet, Feb. 2021 Revision, Sunmodo Corporation, Vancouver, Washington.

* cited by examiner

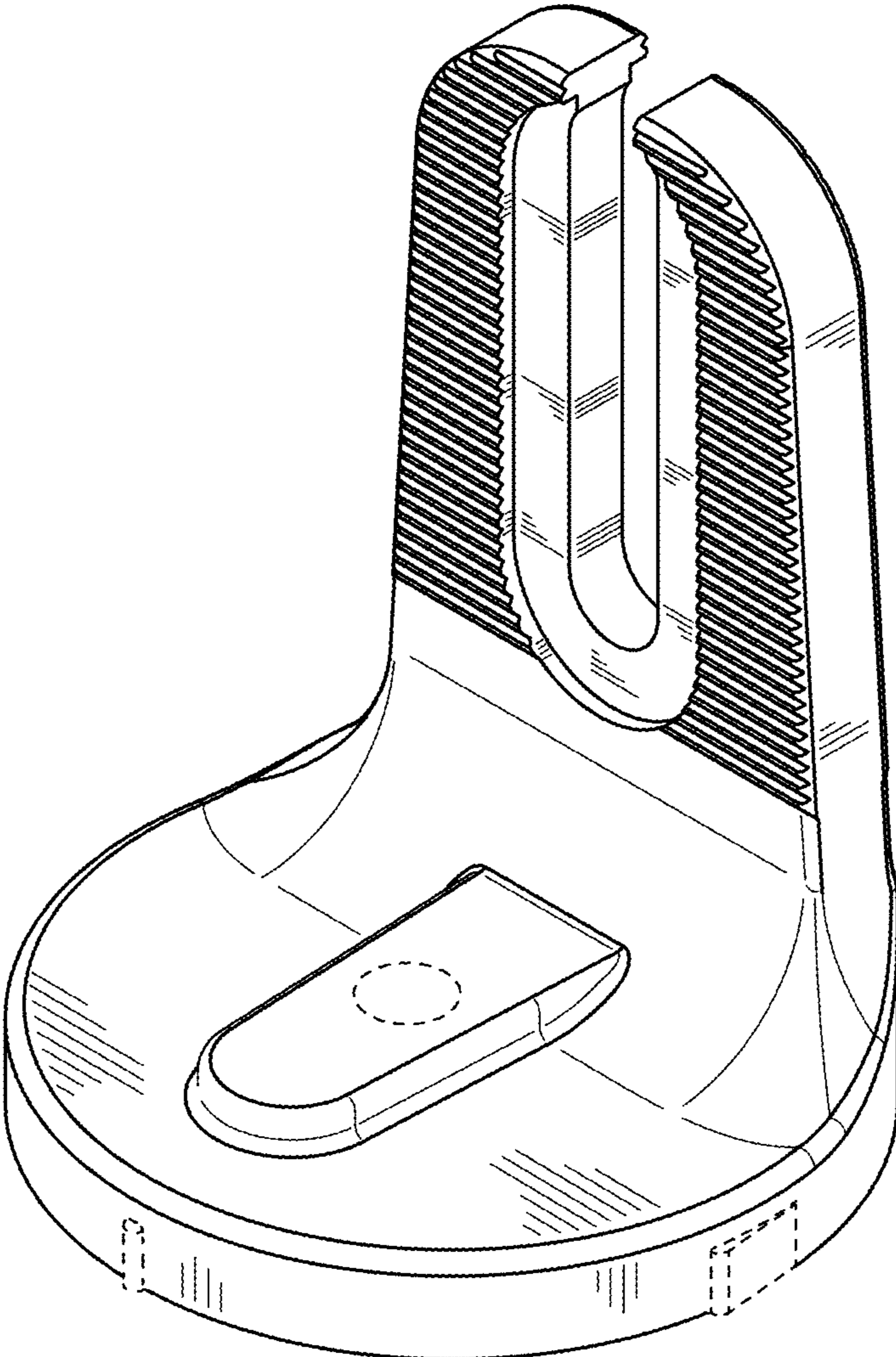


FIG. 1

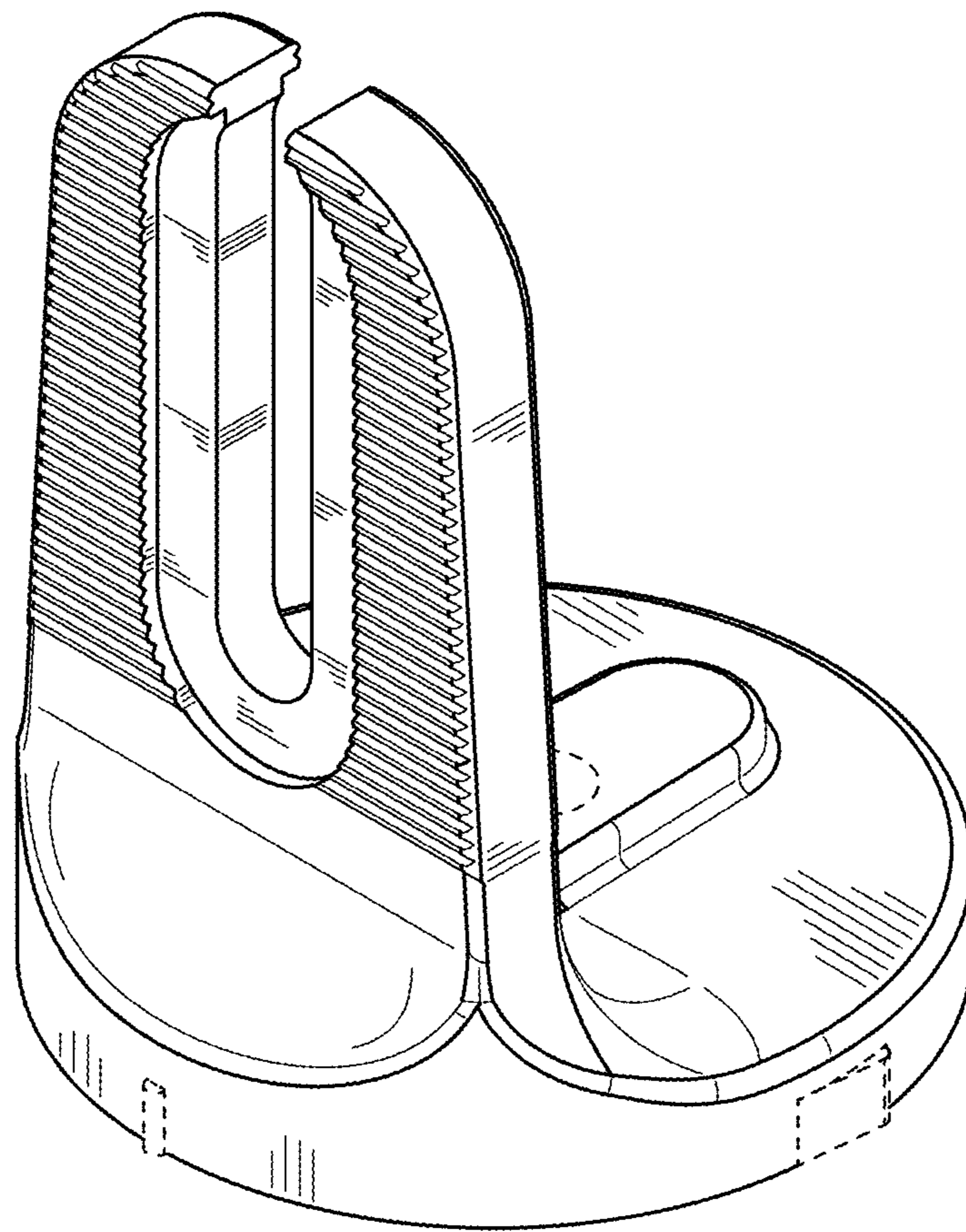


FIG. 2

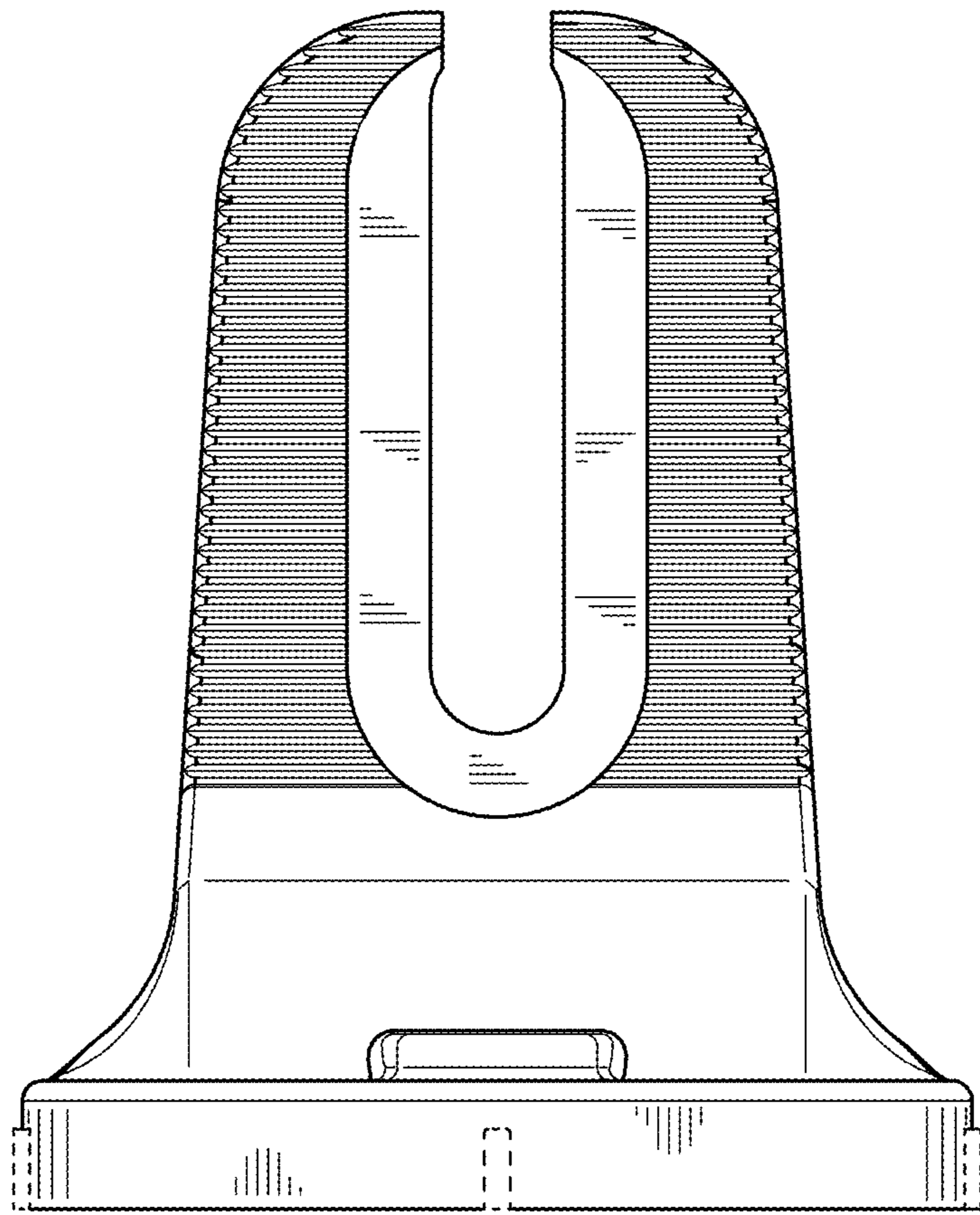


FIG. 3

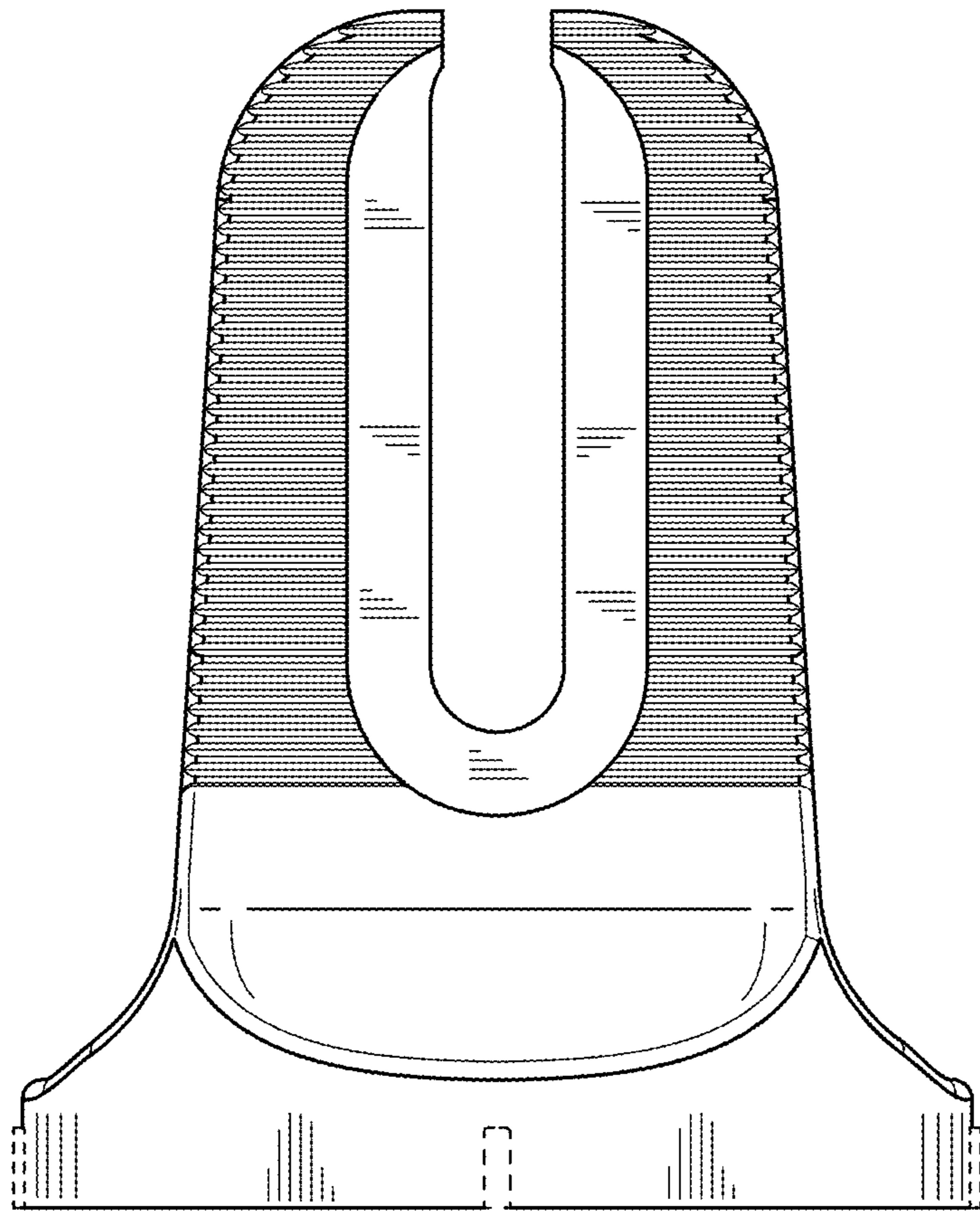


FIG. 4

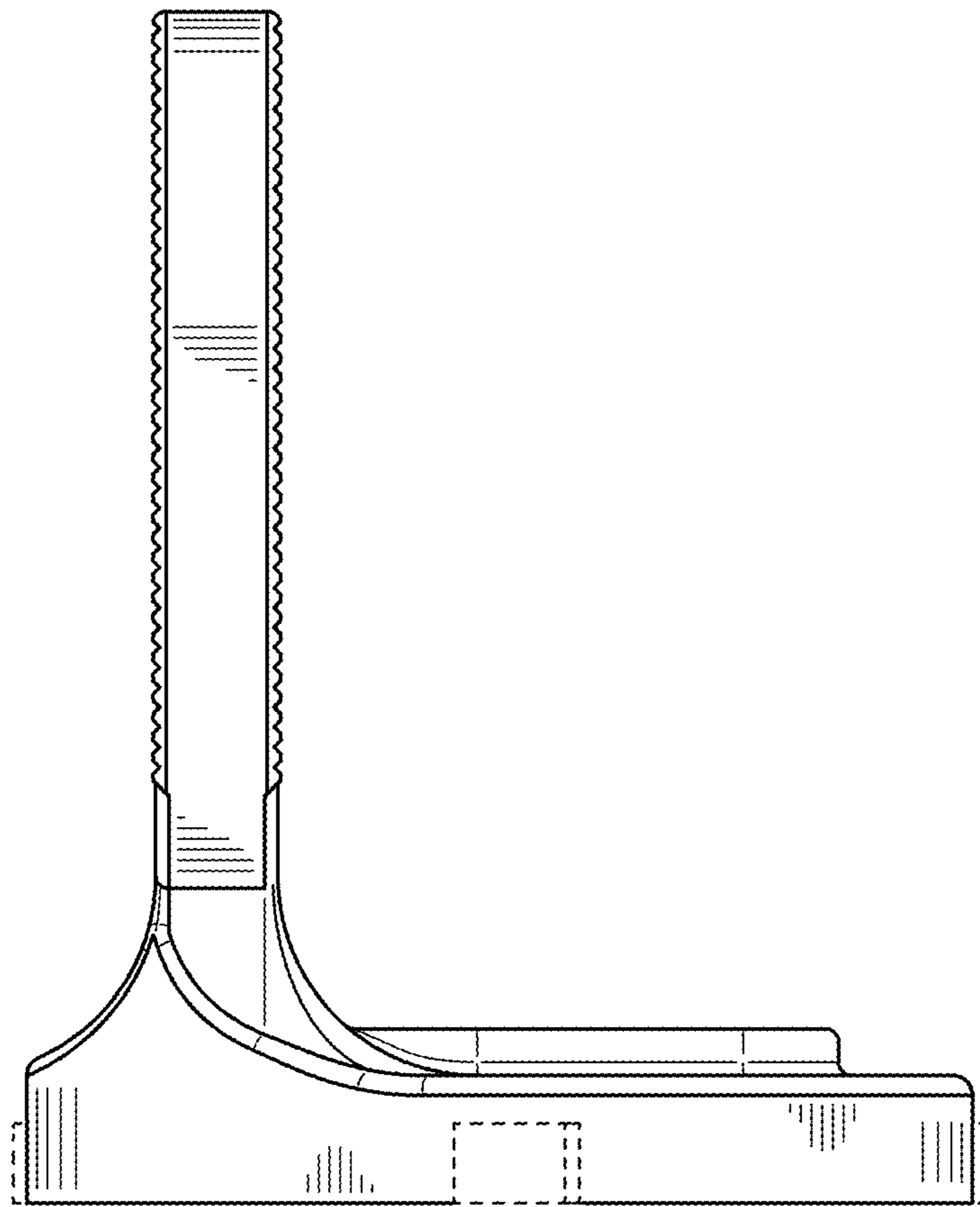


FIG. 5

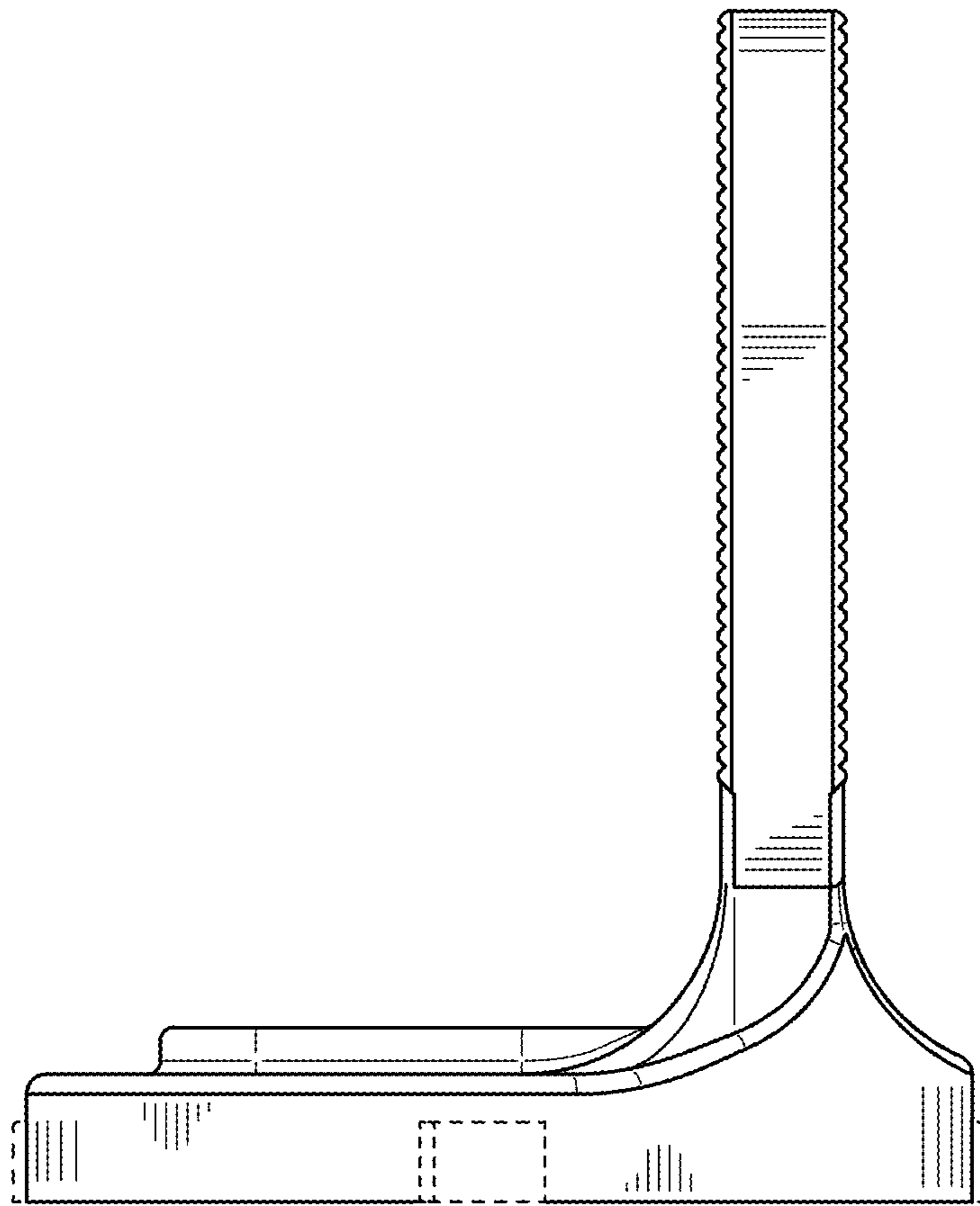


FIG. 6

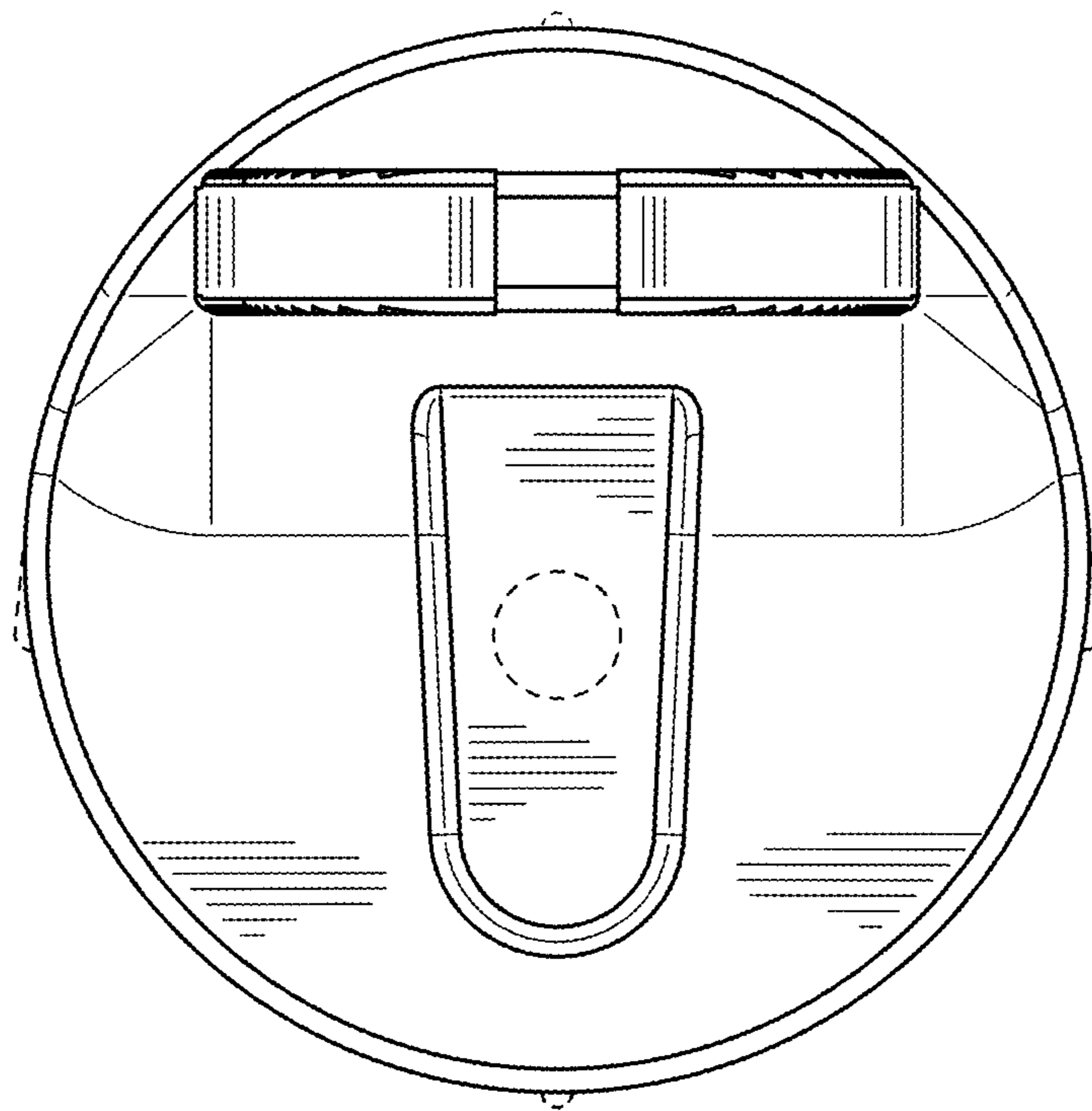


FIG. 7

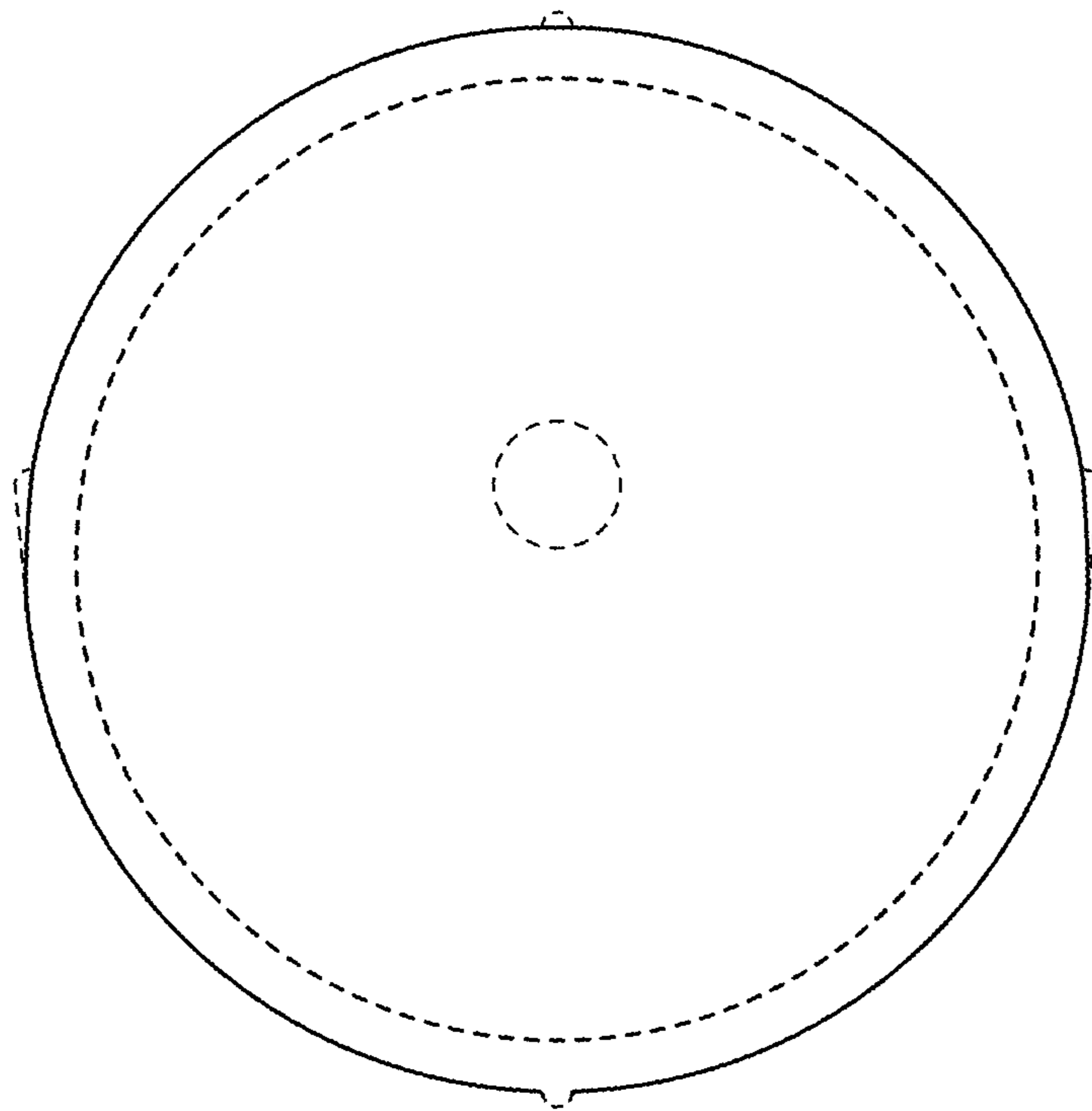


FIG. 8