



US00D983013S

(12) **United States Design Patent** (10) **Patent No.:** **US D983,013 S**
Bi (45) **Date of Patent:** **** Apr. 11, 2023**

(54) **SMART LOCK**
(71) Applicant: **Zhongshan Veerman Intelligent Technology Co., Ltd., Zhongshan (CN)**
(72) Inventor: **Yanmei Bi, Chengdu (CN)**
(73) Assignee: **Zhongshan Veerman Intelligent Technology Co., Ltd., Zhongshan (CN)**

D877,157 S * 3/2020 Tang D14/455
D888,536 S * 6/2020 Boomer D8/331
D896,612 S * 9/2020 Gokcebay D8/330
D906,086 S 12/2020 Qinggui
D911,147 S * 2/2021 Li D8/330
D920,766 S 6/2021 Zheng
D923,454 S * 6/2021 Chen D8/331
2020/0349786 A1* 11/2020 Ho G06V 40/172
2021/0071440 A1* 3/2021 Saeedi E05B 9/08

(**) Term: **15 Years**
(21) Appl. No.: **29/829,793**
(22) Filed: **Mar. 8, 2022**
(51) **LOC (14) Cl.** **08-07**
(52) **U.S. Cl.**
USPC **D8/331**
(58) **Field of Classification Search**
USPC D8/330-331, 334
CPC E05B 1/00; E05B 2047/0058; E05B 9/002;
E05B 9/08
See application file for complete search history.

OTHER PUBLICATIONS

“13 Smart Door Locks for Keeping Those Burglars Away”, Jan. 13, 2017, Medium.com, site visited Jan. 10, 2023: <https://medium.com/the-gadget-flow/13-smart-door-locks-for-keeping-those-burglars-away-ee567d1dcaf5> (Year: 2017).*
“Geek Smart Door Lock”, Mar. 18, 2020, Amazon.com, site visited Jan. 10, 2023: <https://www.amazon.com/Geek-Smart-Door-Lock-Fingerprint/dp/B0851PS1FY> (Year: 2020).*

(Continued)

Primary Examiner — Jack Reickel
Assistant Examiner — Michael A Kervin

(56) **References Cited**

U.S. PATENT DOCUMENTS

D354,922 S * 1/1995 Gartner D10/106.95
D438,447 S * 3/2001 Gartner D8/331
D618,081 S * 6/2010 Moyer D8/330
D747,640 S 1/2016 Scalisi
D755,605 S 5/2016 Kraus
D766,067 S 9/2016 Hyde
D784,333 S * 4/2017 Hsu D14/383
D789,769 S * 6/2017 Hsu D8/334
D790,318 S * 6/2017 Hsu D8/343
D802,396 S * 11/2017 Hsu D8/343
D811,852 S 3/2018 Xin
D835,968 S * 12/2018 Gokcebay D8/330
D836,418 S * 12/2018 Gokcebay D8/330
D840,214 S 2/2019 Leites
D844,411 S 4/2019 Griswold

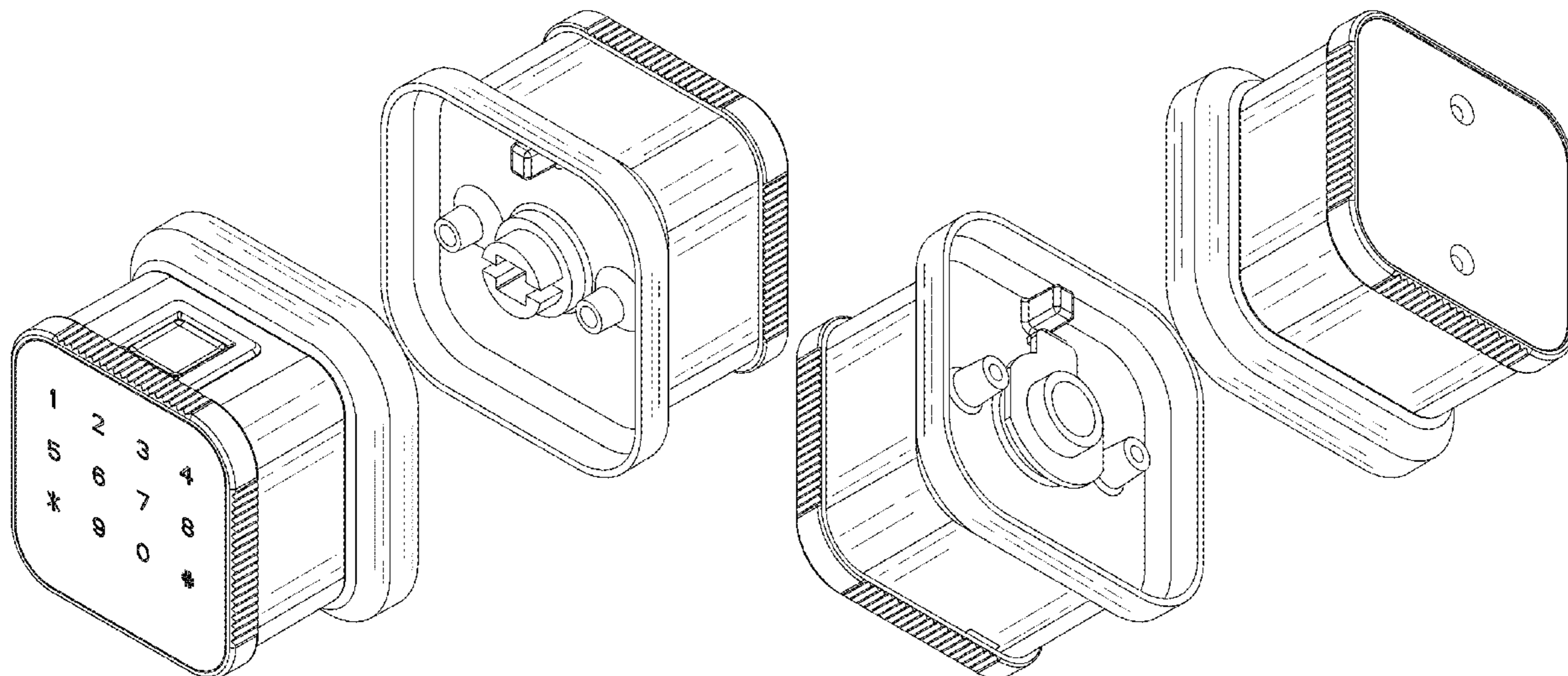
(57) **CLAIM**

The ornamental design for a smart lock, as shown and described.

DESCRIPTION

FIG. 1 is a front elevation view of a smart lock showing the new design;
FIG. 2 is a back elevation view thereof;
FIG. 3 is a left-side view thereof;
FIG. 4 is a right-side view thereof;
FIG. 5 is a top plan view thereof;
FIG. 6 is a bottom plan view thereof;
FIG. 7 is a perspective view thereof; and,
FIG. 8 is a perspective view thereof.

1 Claim, 8 Drawing Sheets



(56)

References Cited

OTHER PUBLICATIONS

Touch Screen Digital Smart Electronic Password Door Lock Security Anti-theft Wooden Cabinet Keypad Drawer Office File Locks, downloaded on Mar. 4, 2022 from Aliexpress.com.

Electronic Door Lock Tuya Smart Life App Digital Biometric Fingerprint Handle Password Code Door Lock for Smart Home, downloaded on Mar. 4, 2022 from Aliexpress.com.

Gimdown smart door lock Digital Password Bluetooth-compatible Intelligent Sticker Installation Tuya smart App Electronic Lock, downloaded on Mar. 4, 2022 from Aliexpress.com.

Geek Smart Door Lock, Keyless Fingerprint and Touchscreen, Secure Bluetooth, Easy Install, Digital Door Lock, Great for Airbnb, Homes, Apartments, Hotels and Offices B400 (Black), downloaded on Mar. 4, 2022 from Amazon.com.

Liftmaster myQ Key Free Smart Lock with Touchscreen, Deadbolt, Oil Rubbed Bronze with myQ Smart Garage Control Control (LMDBPACK-OB & 821LMC), downloaded on Mar. 4, 2022 from Amazon.com.

Yale Assure Lock SL with Z-Wave with Valdosta Lever—Works with Ring Alarm, Smartthings, and Wink , downloaded on Mar. 4, 2022 from Amazon.com.

* cited by examiner

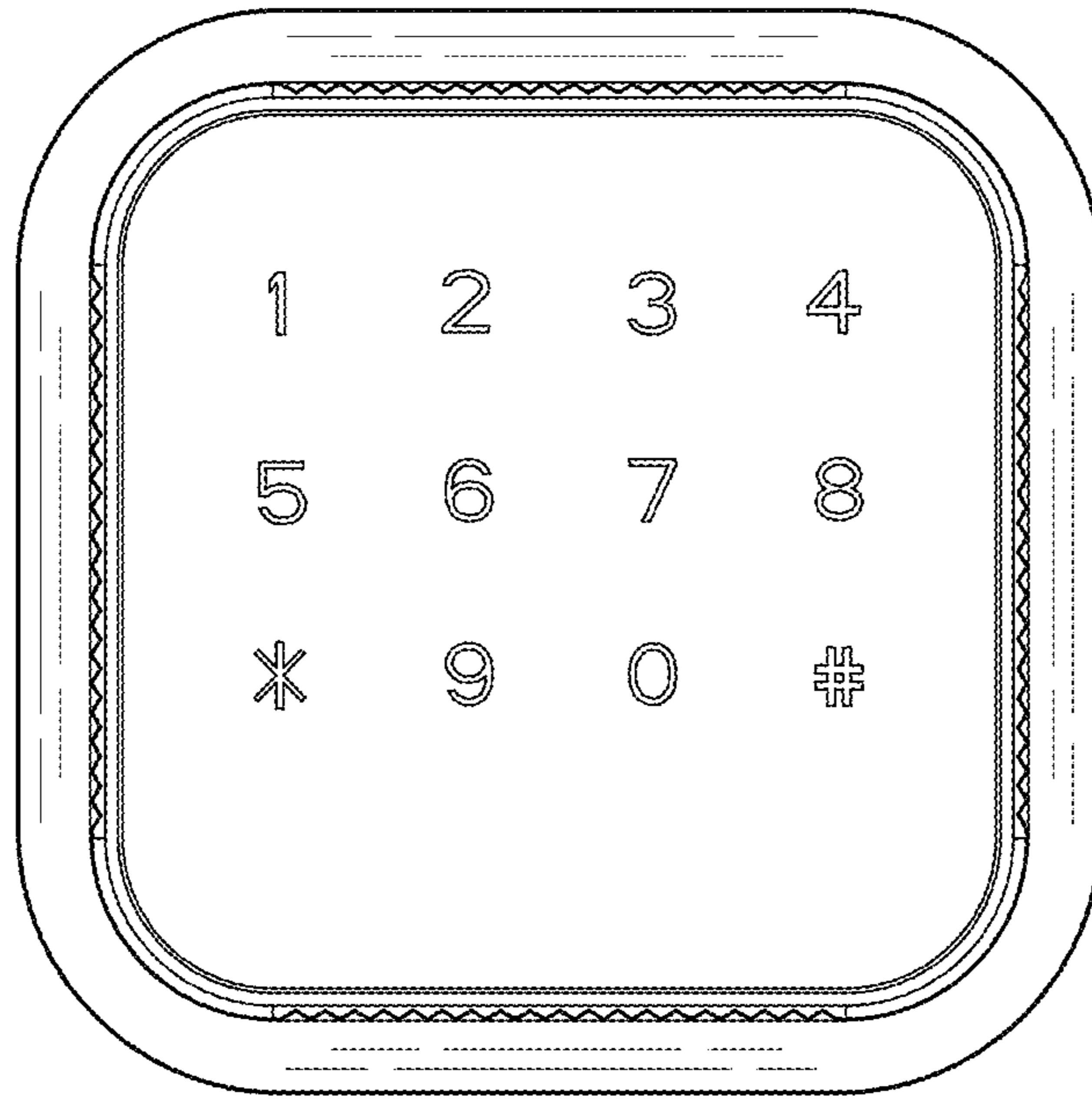


FIG. 1

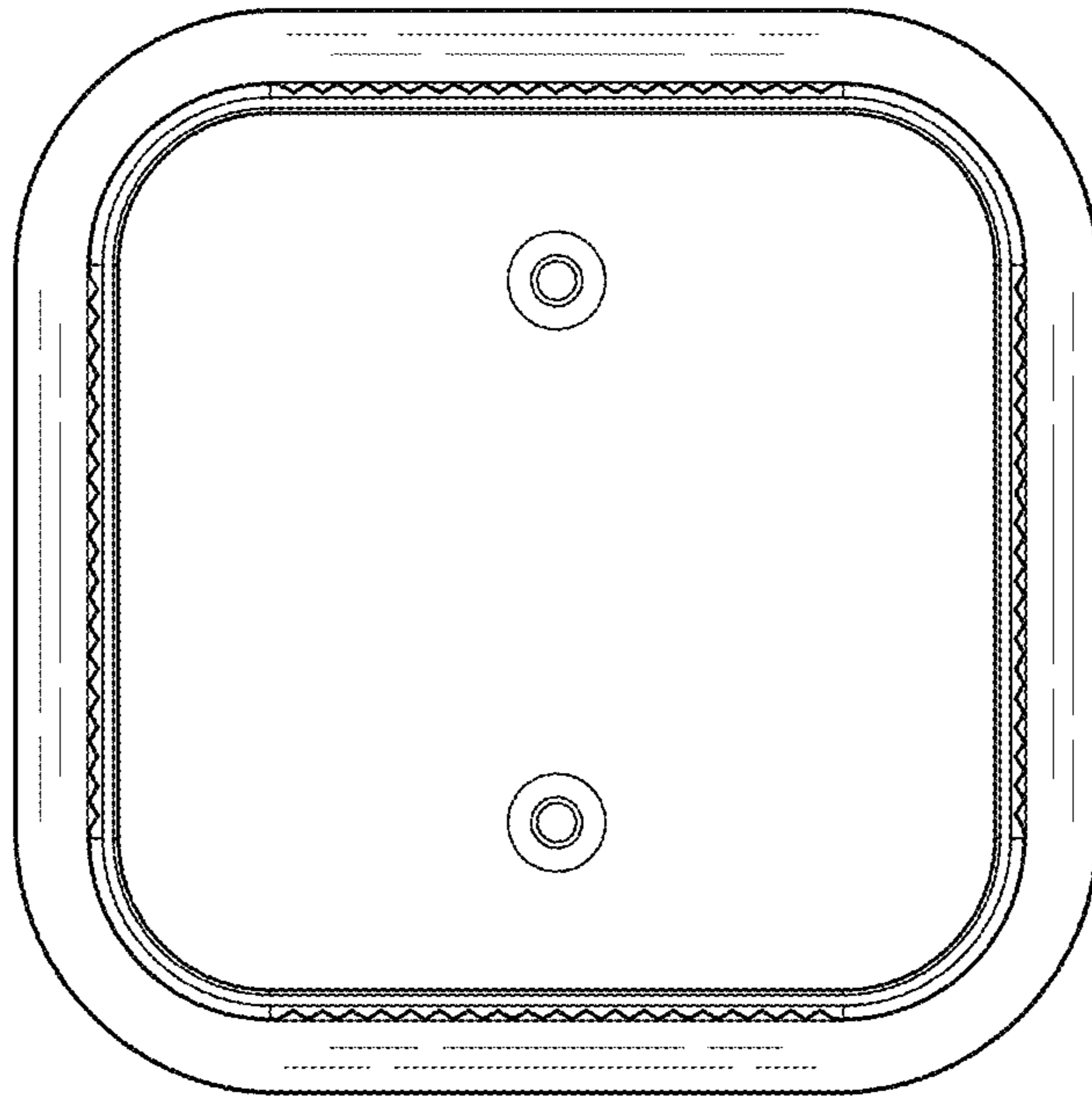


FIG. 2

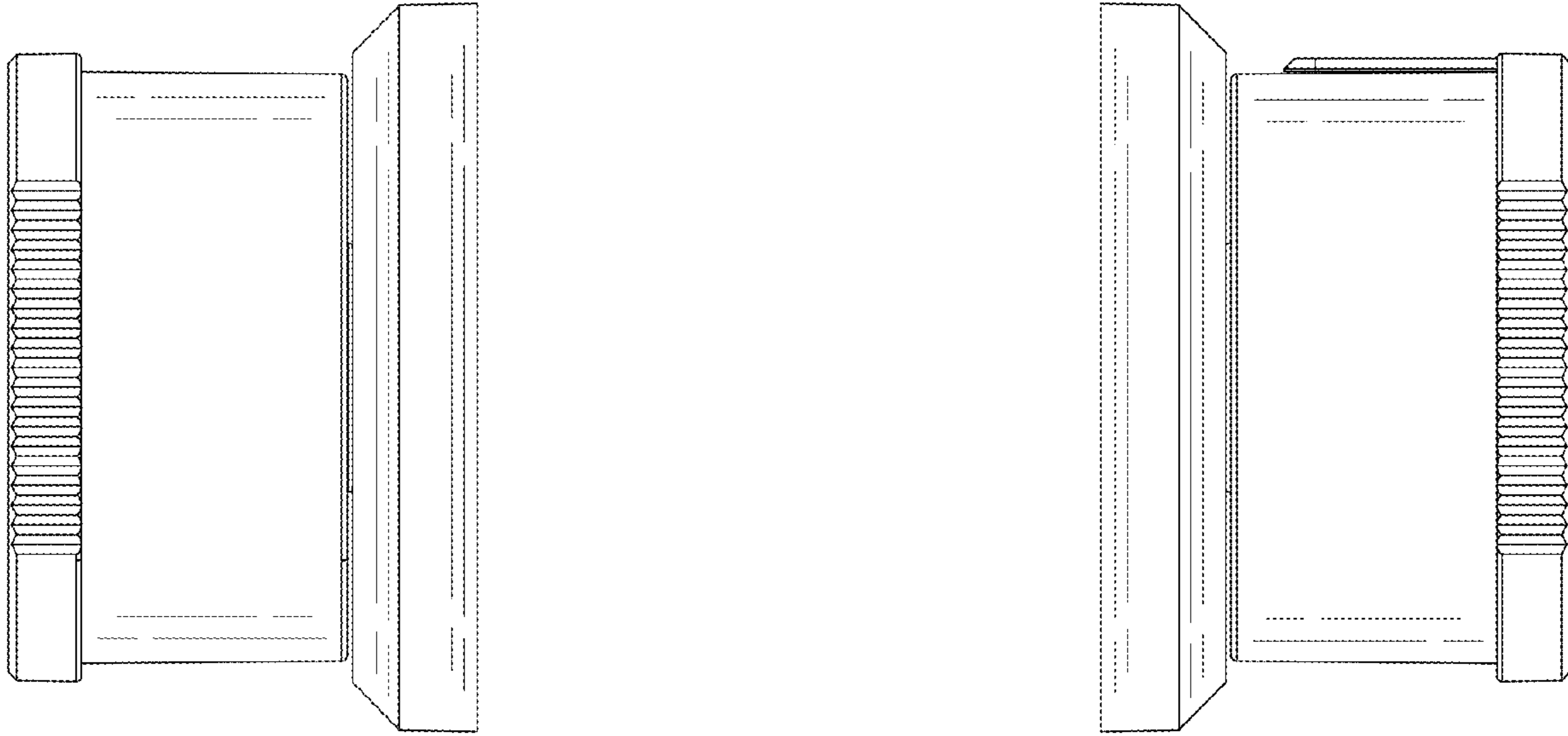


FIG. 3

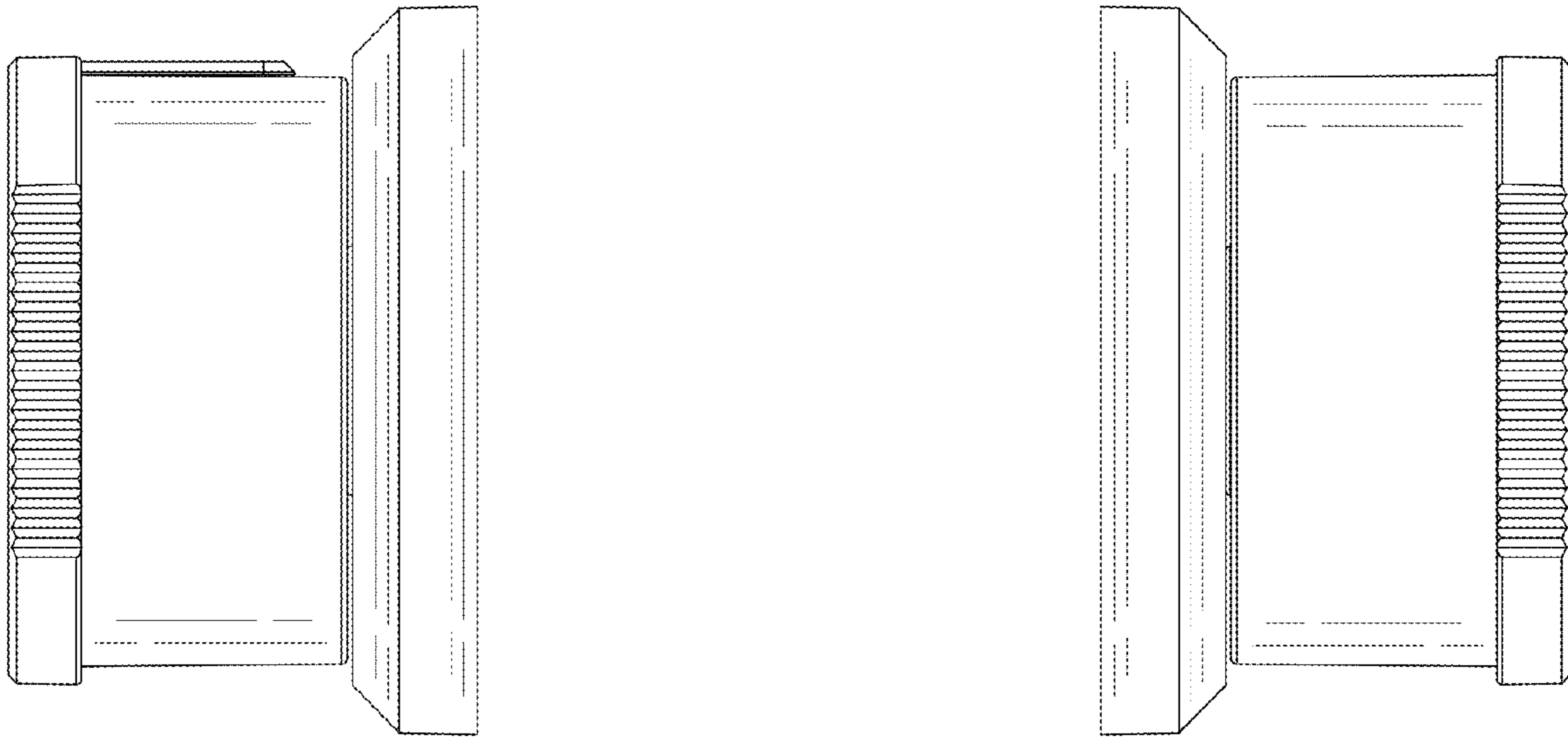


FIG. 4

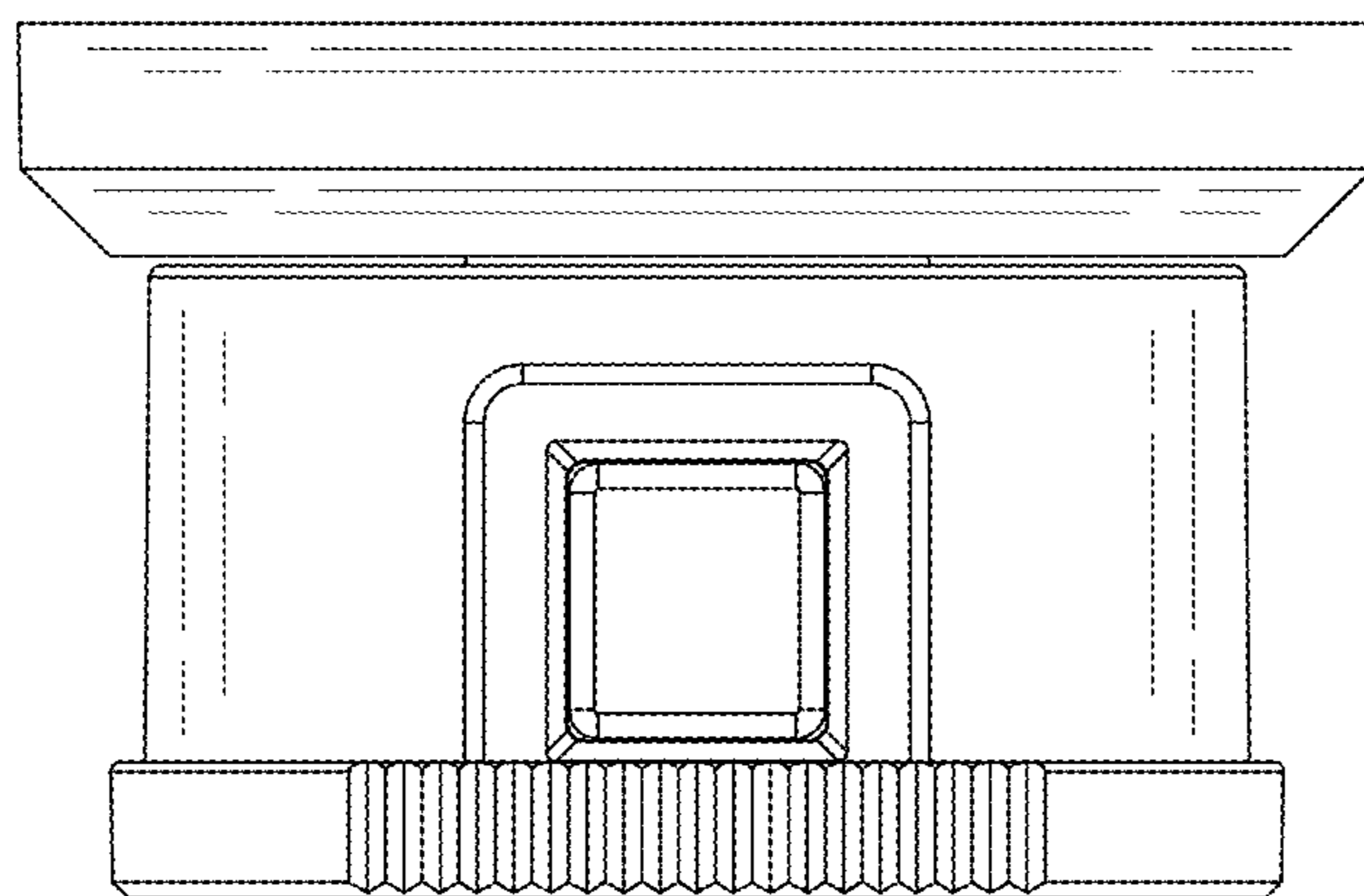
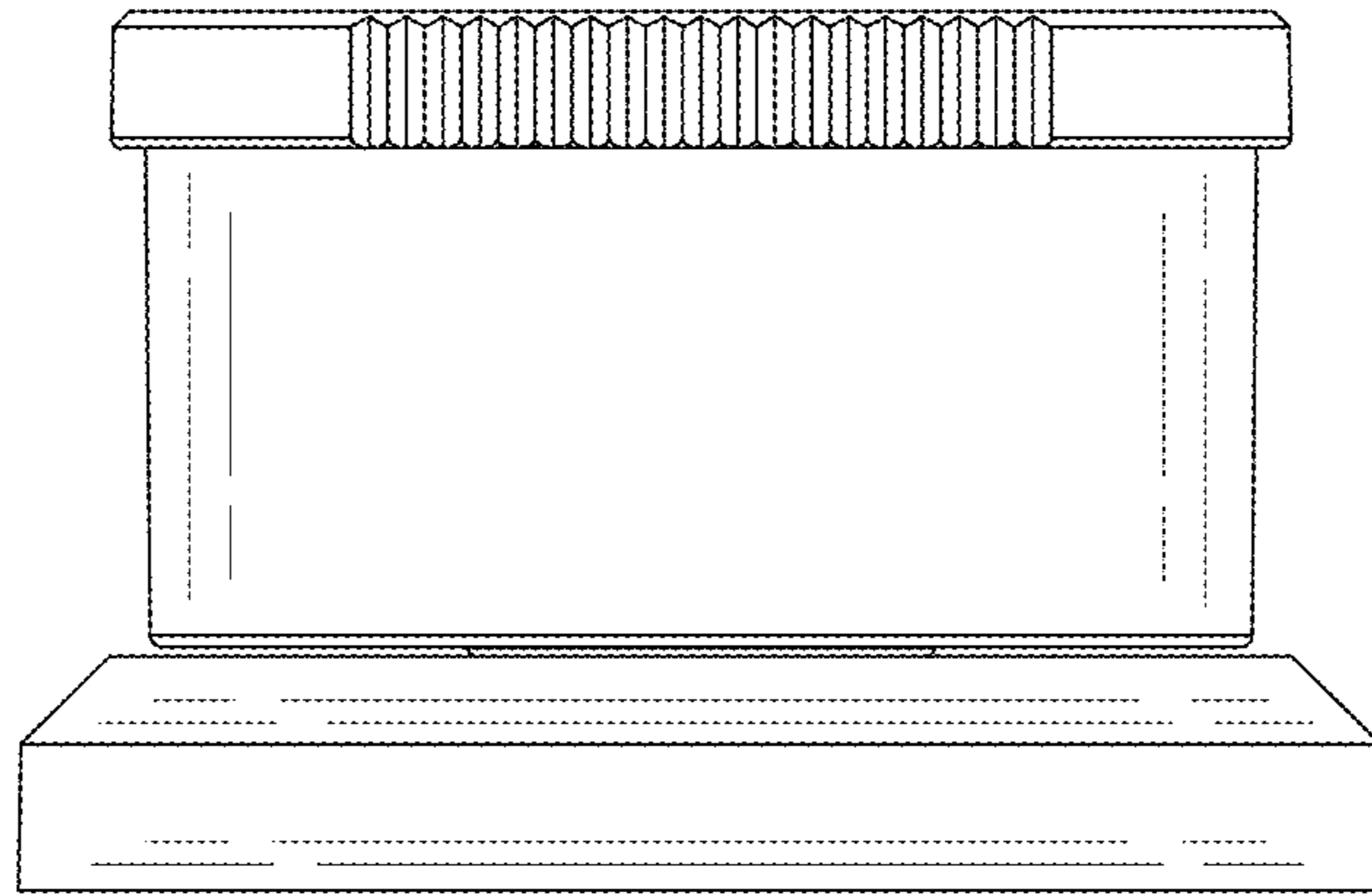


FIG. 5

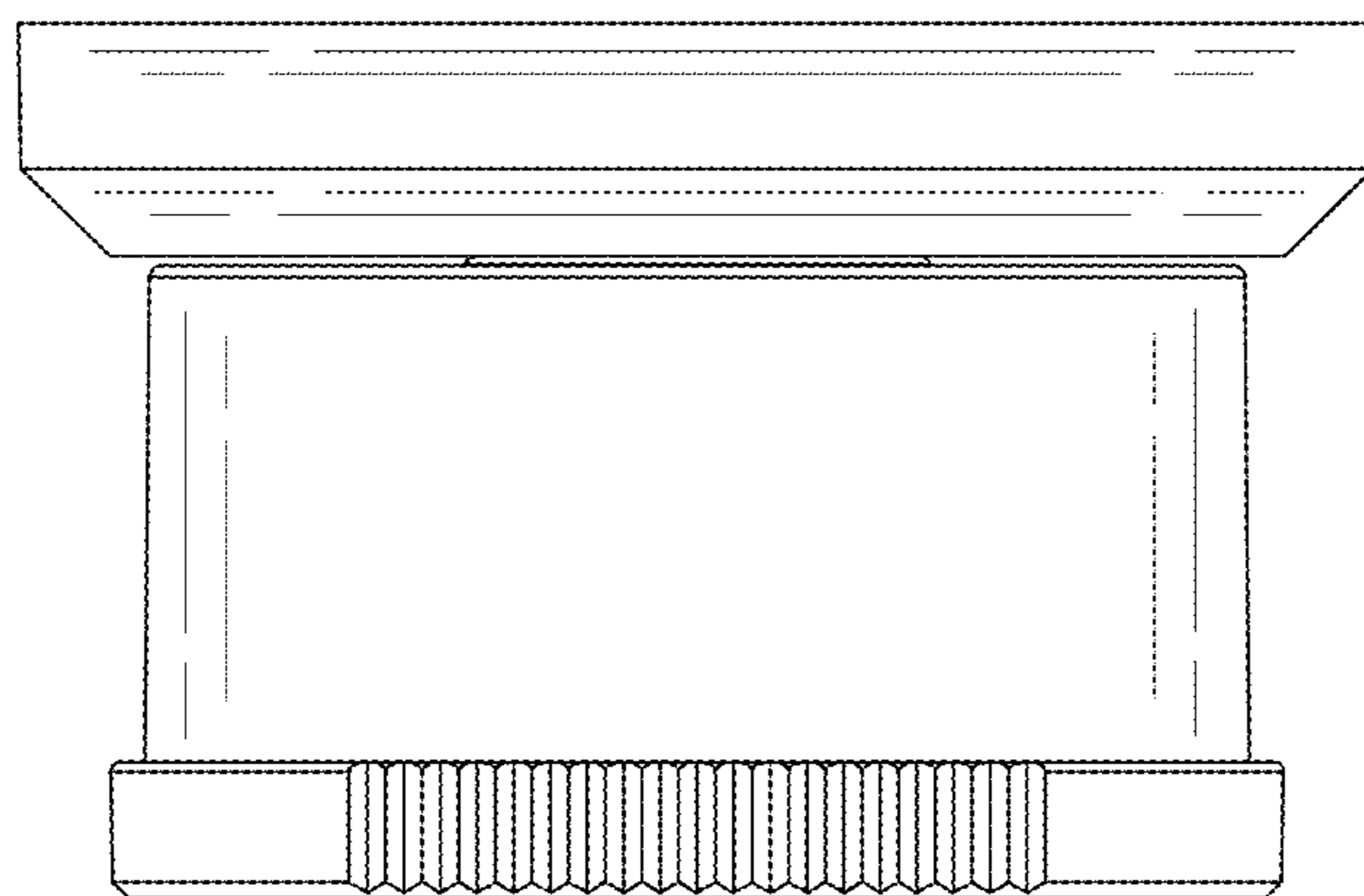
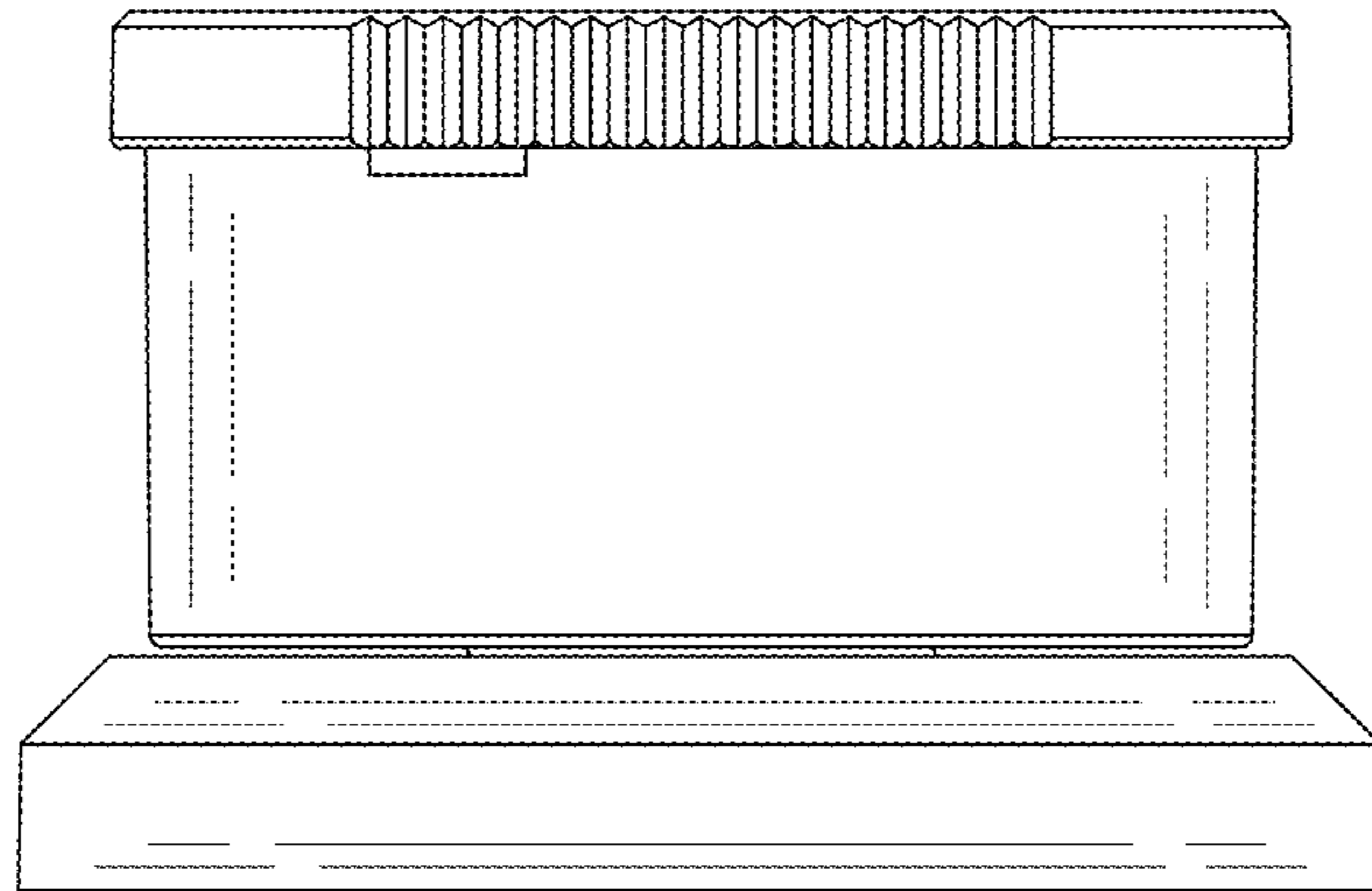


FIG. 6

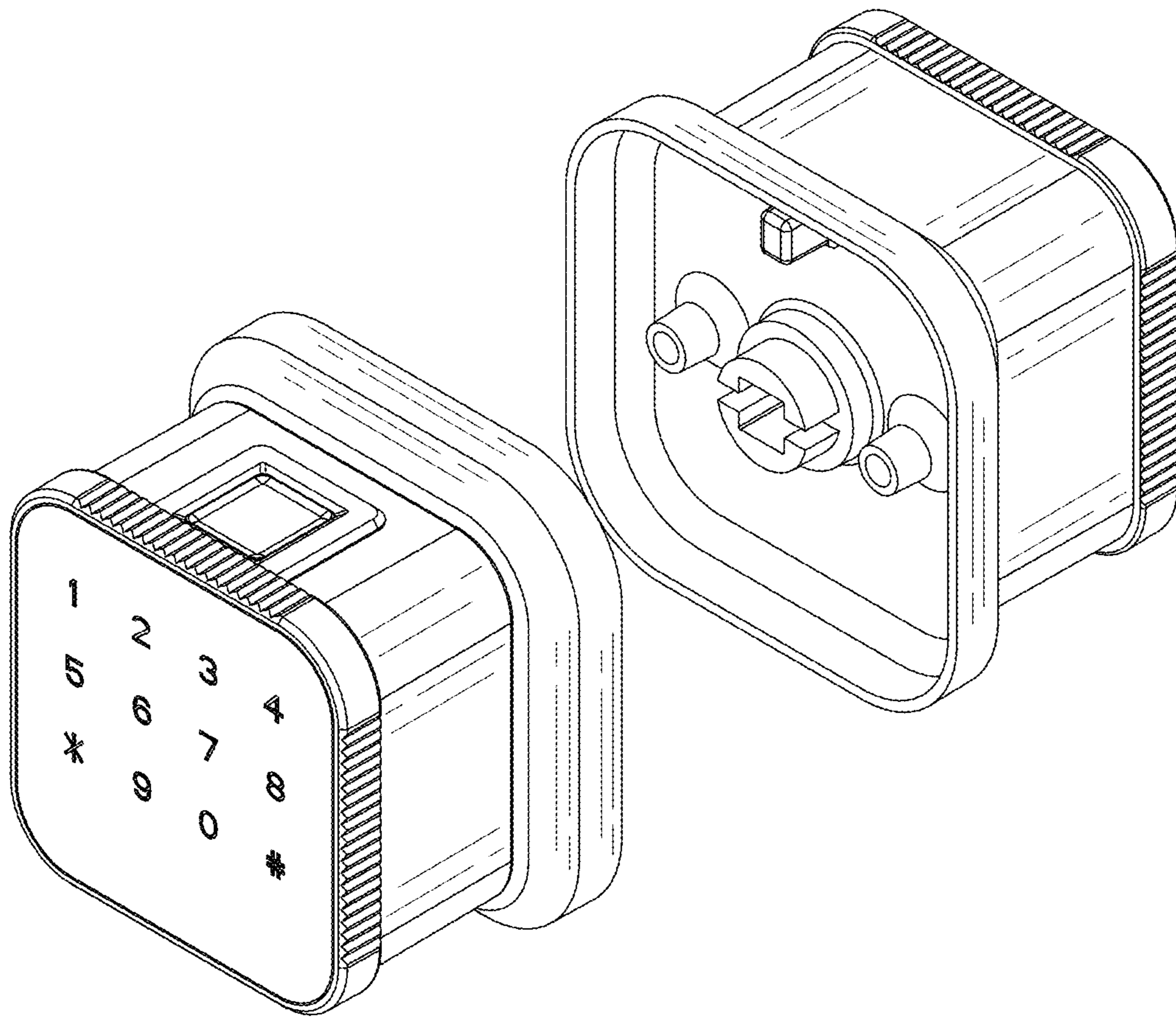


FIG. 7

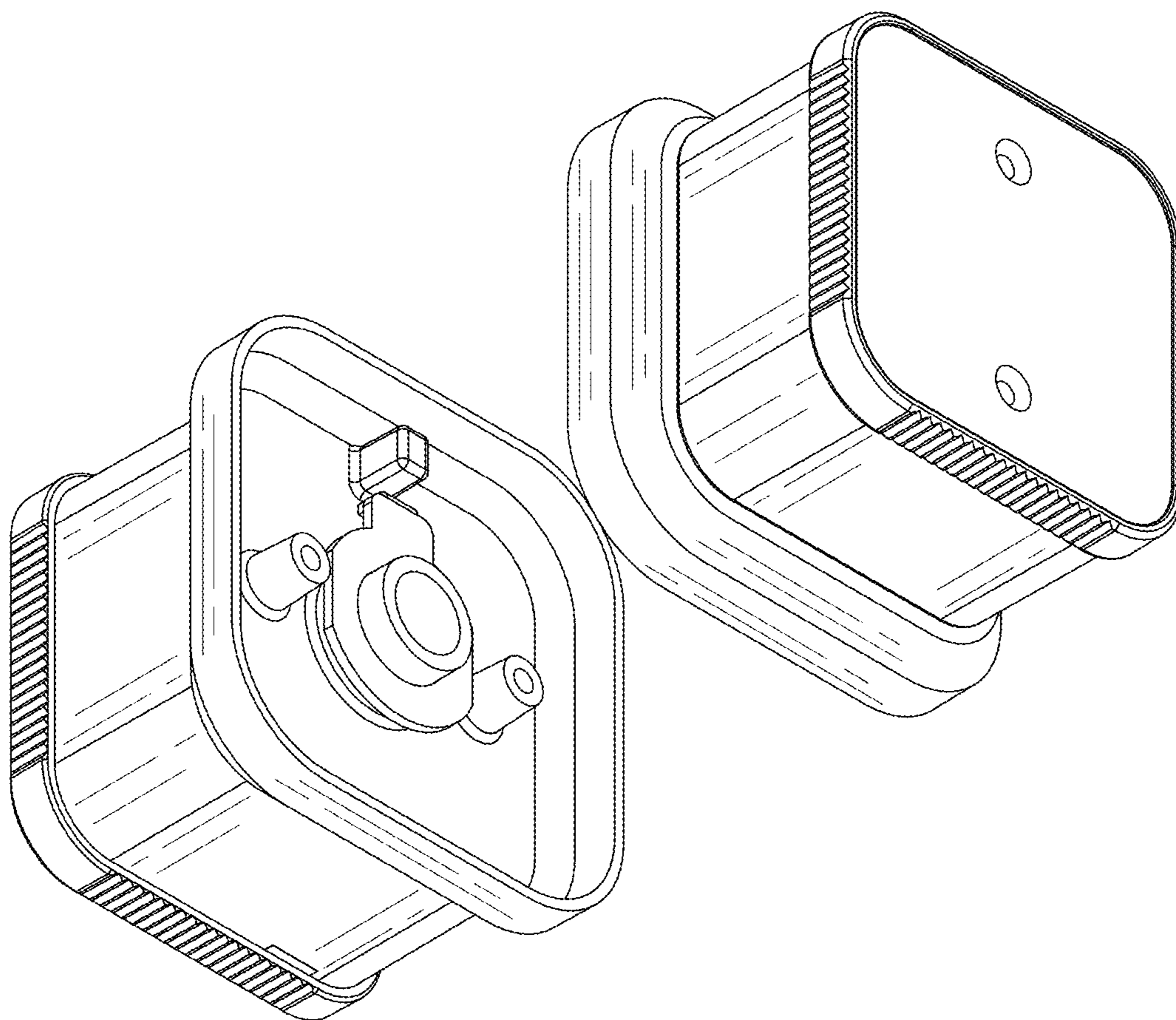


FIG. 8