



US00D983012S

(12) **United States Design Patent**  
**Li**

(10) **Patent No.:** **US D983,012 S**

(45) **Date of Patent:** **\*\* Apr. 11, 2023**

(54) **SMART DOOR LOCK**

(71) Applicant: **Ran Li**, Zhejiang (CN)

(72) Inventor: **Ran Li**, Zhejiang (CN)

(73) Assignee: **Wenzhou Zhexin Intelligent Technology Co., Ltd.**, Zhejiang (CN)

(\*\*) Term: **15 Years**

(21) Appl. No.: **29/786,381**

(22) Filed: **May 31, 2021**

(51) **LOC (14) Cl.** ..... **08-07**

(52) **U.S. Cl.**

USPC ..... **D8/331**

(58) **Field of Classification Search**

USPC ..... D8/331, 336

CPC ..... E05B 9/002; E05B 37/0031; E05B

2009/004; E05B 2009/006; G05B 9/02;

G05B 19/04; G05B 19/02; G05B

19/41835; G07C 9/00309; G07C 9/0069;

G07C 2009/00452; Y10T 70/7068; Y10T

70/7141; Y10T 70/7237; Y10T 70/8568

See application file for complete search history.

(56) **References Cited**

**U.S. PATENT DOCUMENTS**

5,923,264 A \* 7/1999 Lavelle ..... G07C 9/33  
235/382

6,865,913 B2 \* 3/2005 Yamagishi ..... G07C 9/00563  
70/278.1

9,406,181 B2 \* 8/2016 Almomani ..... G07C 9/00309  
D766,067 S \* 9/2016 Hyde ..... D8/331  
D769,102 S \* 10/2016 Euchner ..... D8/331  
10,385,588 B2 \* 8/2019 Huang ..... E05B 47/0012

\* cited by examiner

*Primary Examiner* — Doris Clark

(57) **CLAIM**

The ornamental design for a smart door lock, as shown and described.

**DESCRIPTION**

FIG. 1 is a front perspective view of a smart door lock showing my new design;

FIG. 2 is a front elevation view thereof;

FIG. 3 is a rear elevation view thereof;

FIG. 4 is a left side elevation view thereof;

FIG. 5 is a right side elevation view thereof;

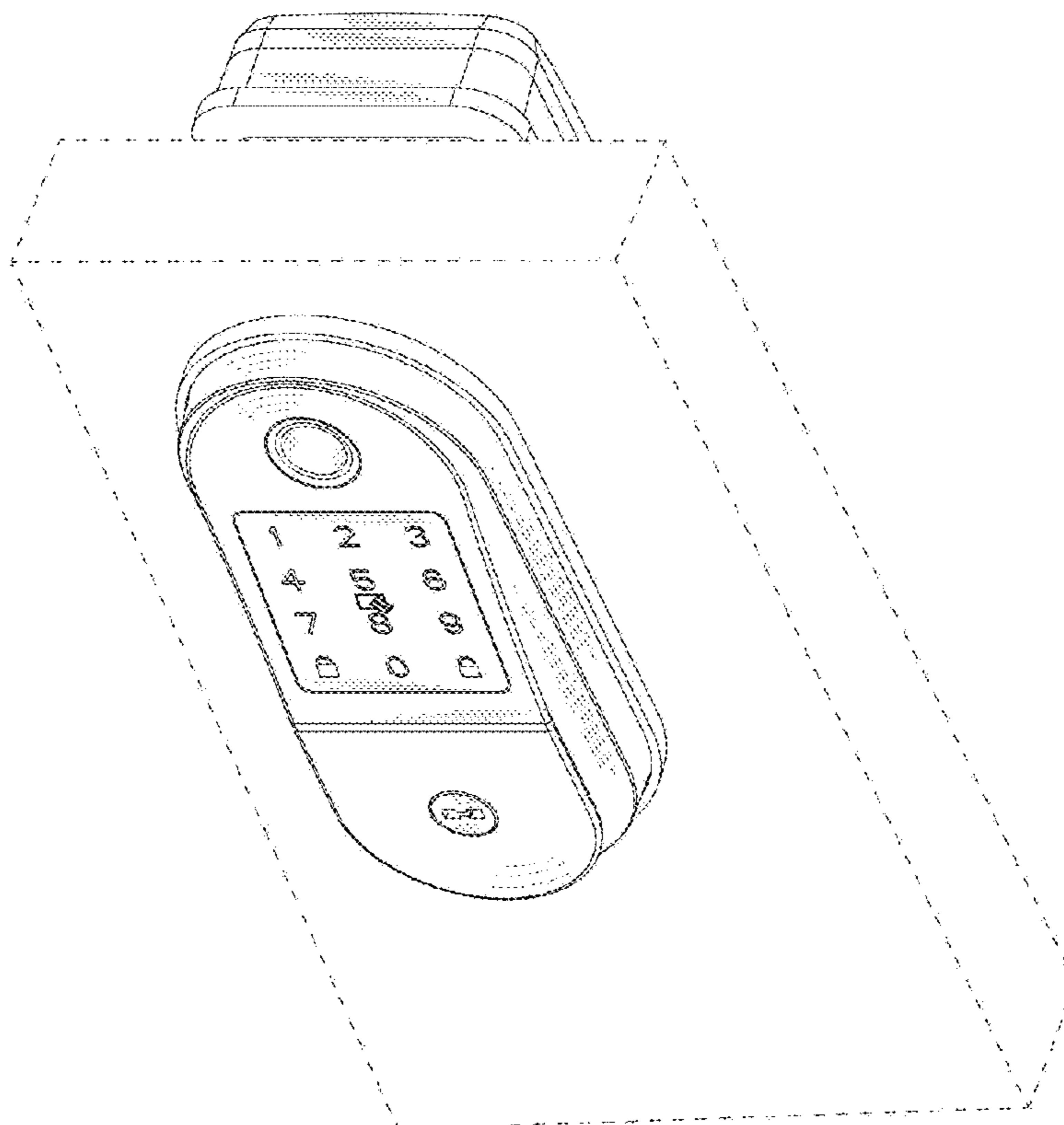
FIG. 6 is a top plan view thereof;

FIG. 7 is a bottom plan view thereof; and,

FIG. 8 is a rear perspective view thereof.

The broken lines shown in the figures are for environmental purpose only and form no part of the claimed design.

**1 Claim, 8 Drawing Sheets**



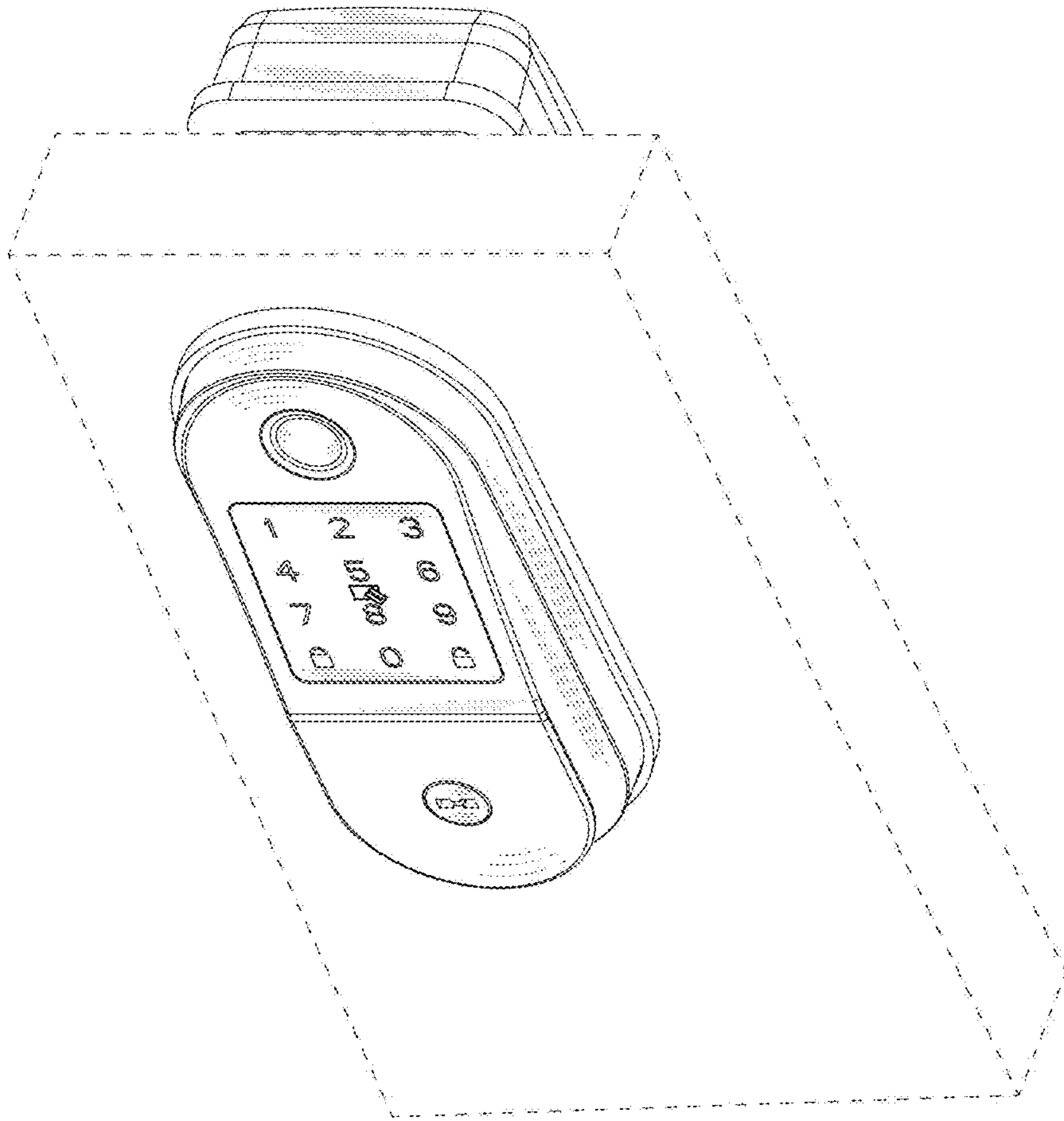


FIG. 1

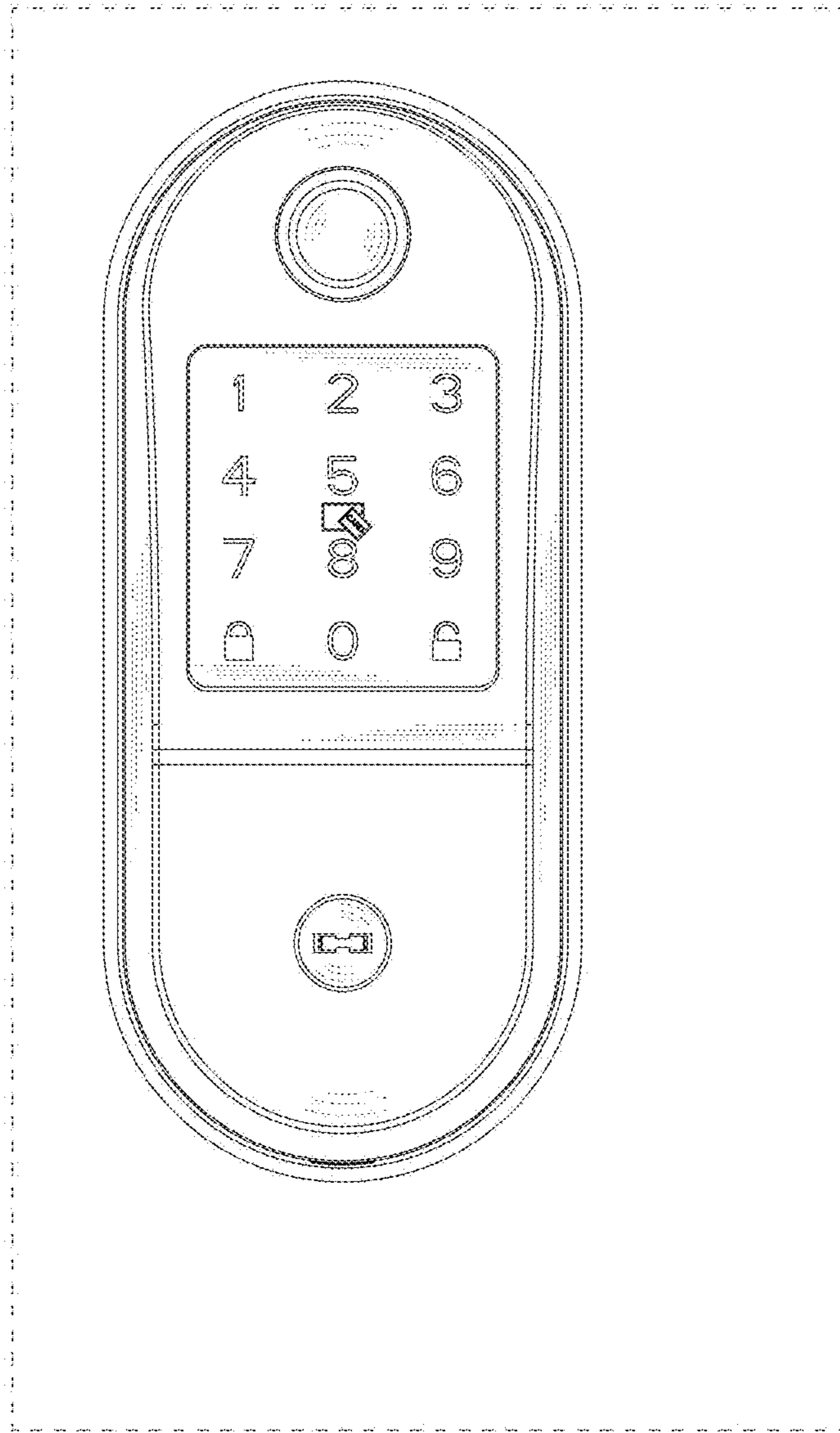


FIG. 2

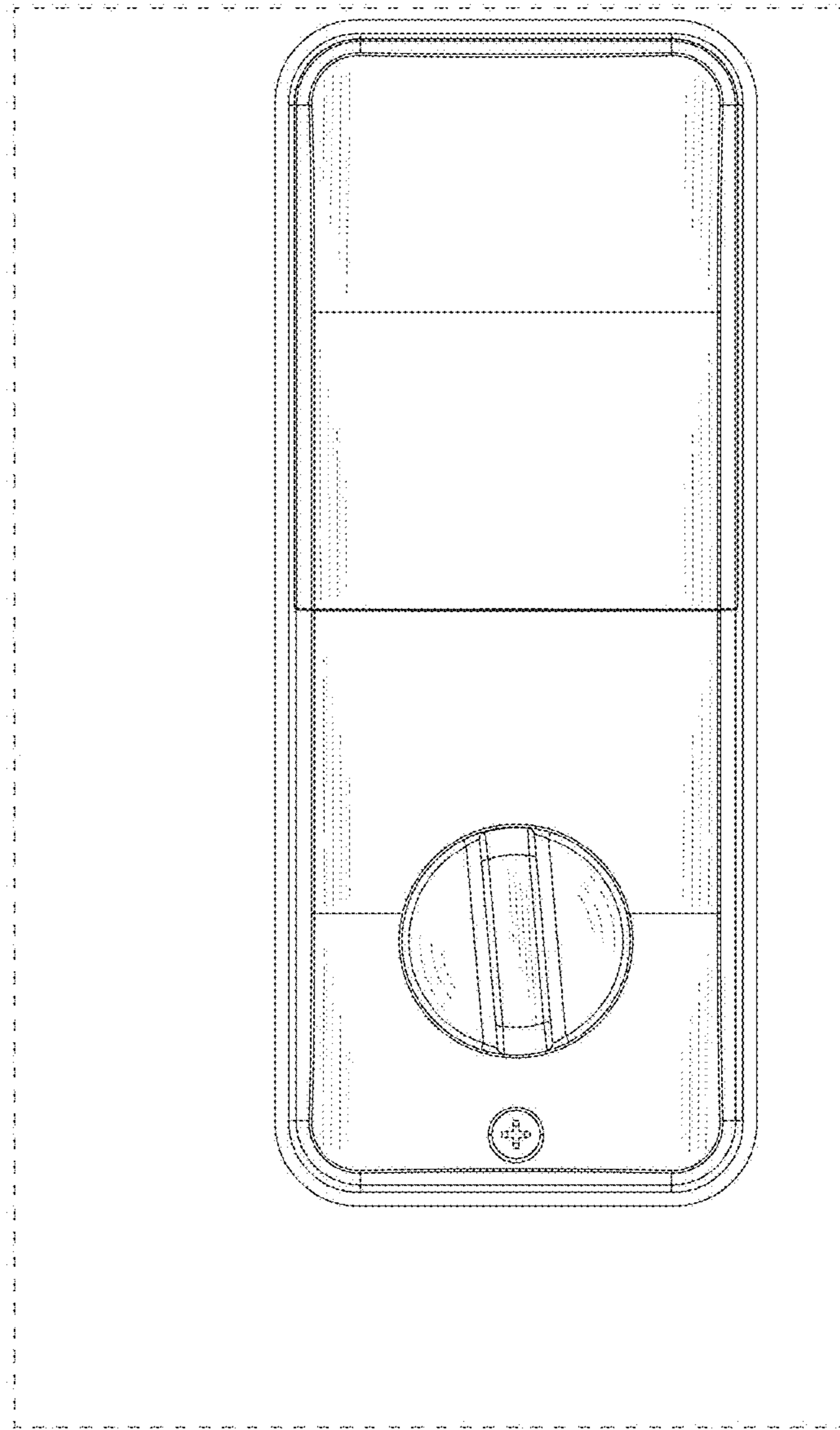


FIG. 3

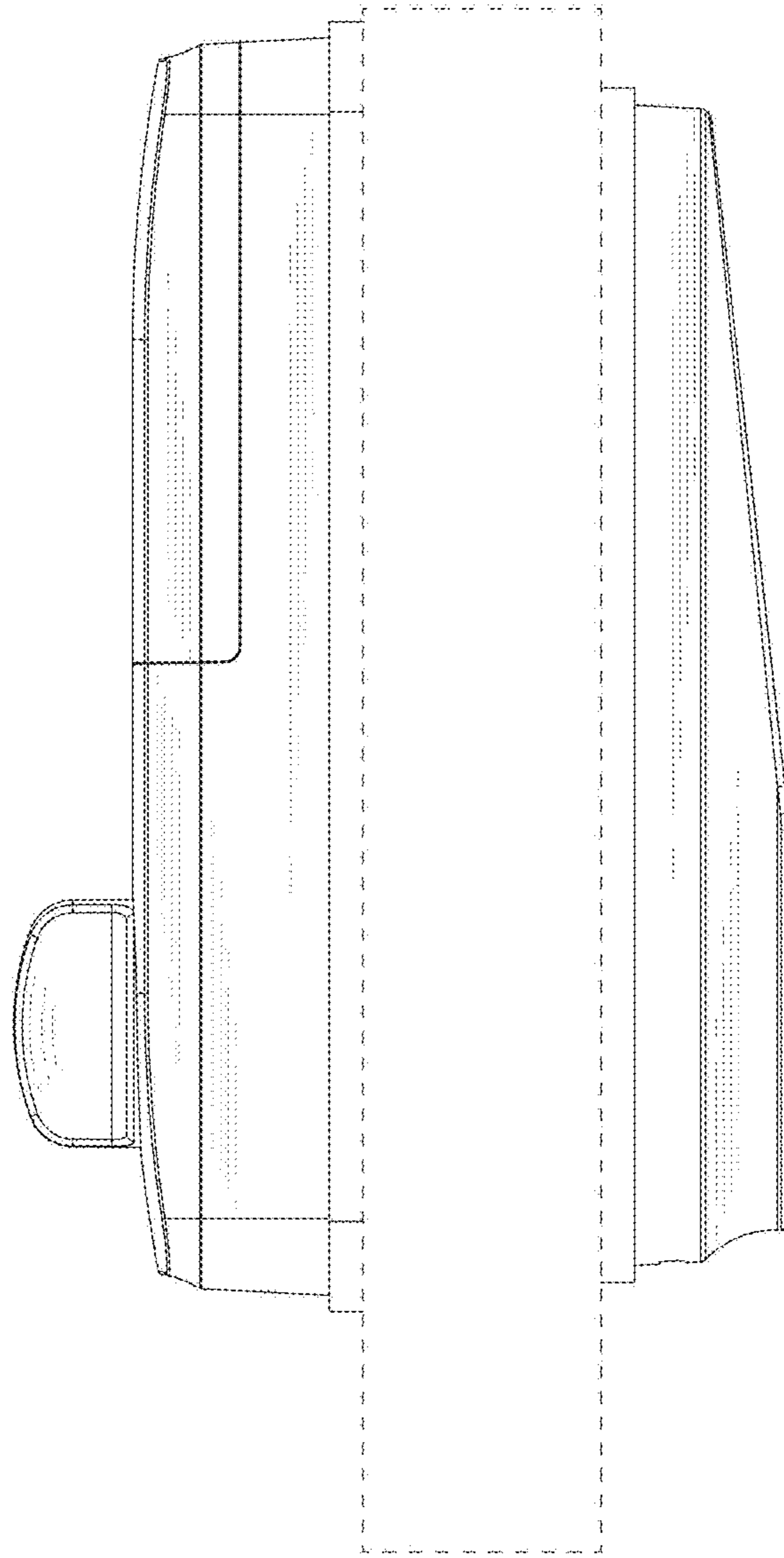


FIG. 4

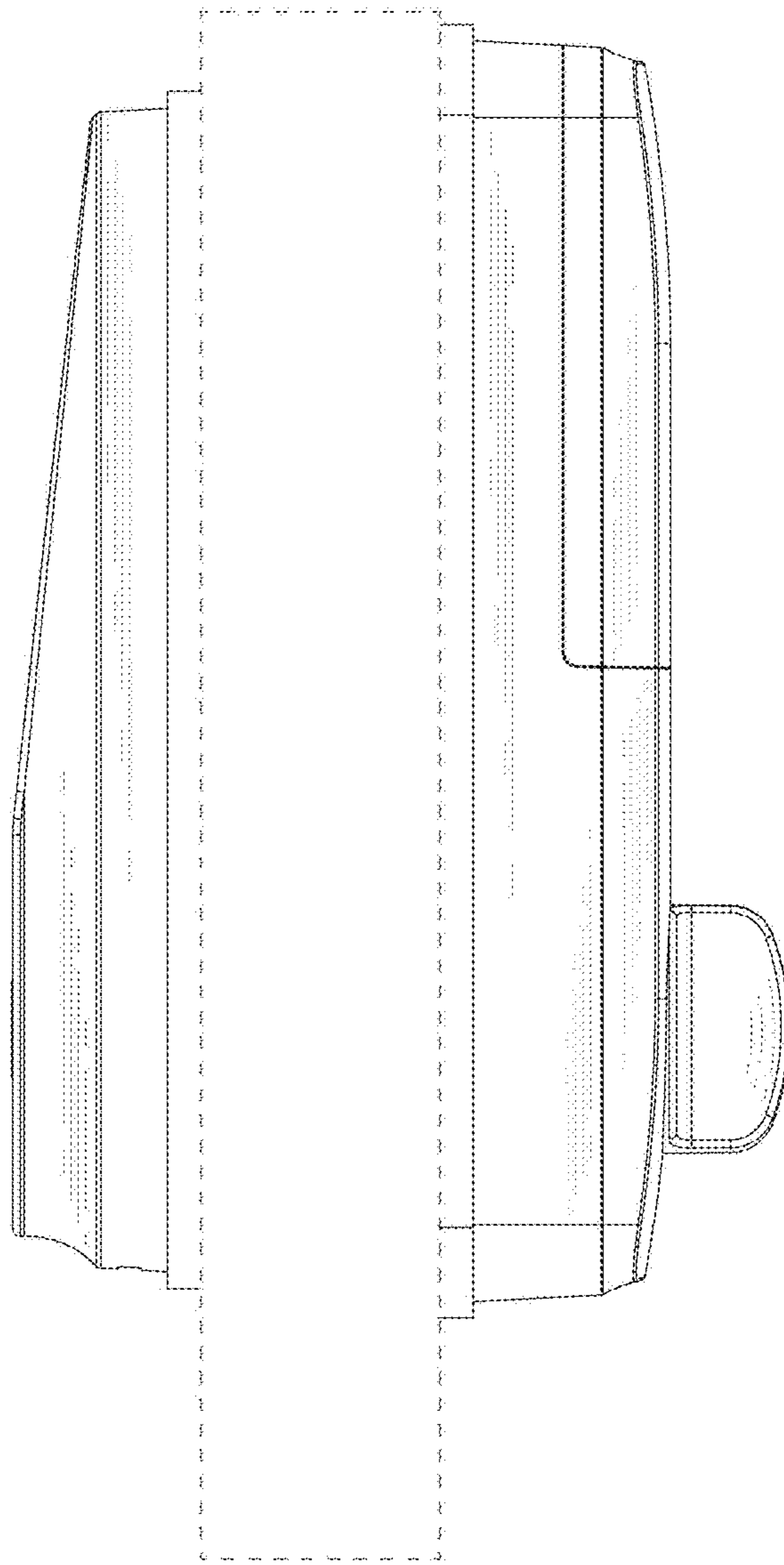


FIG. 5

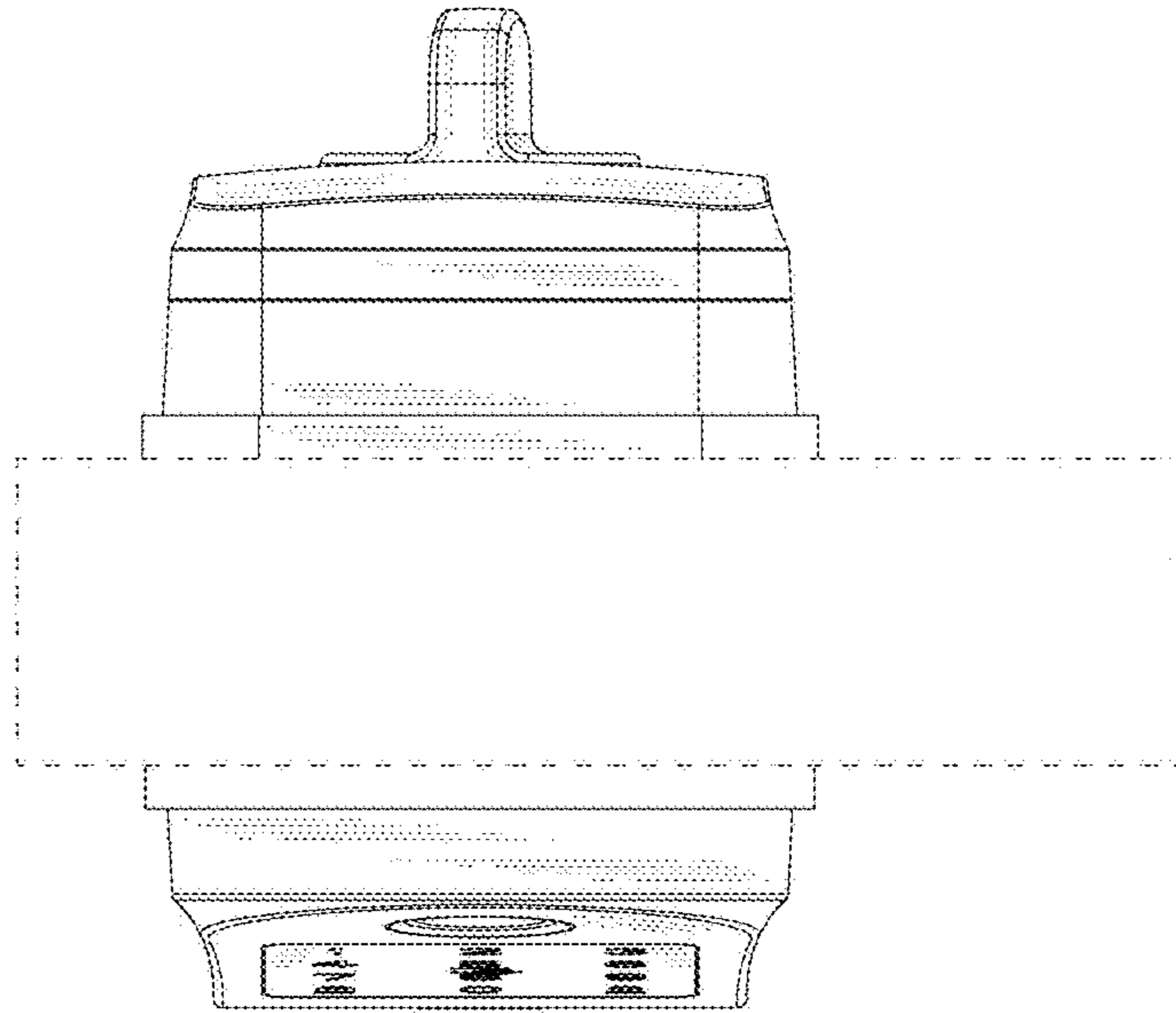


FIG. 6

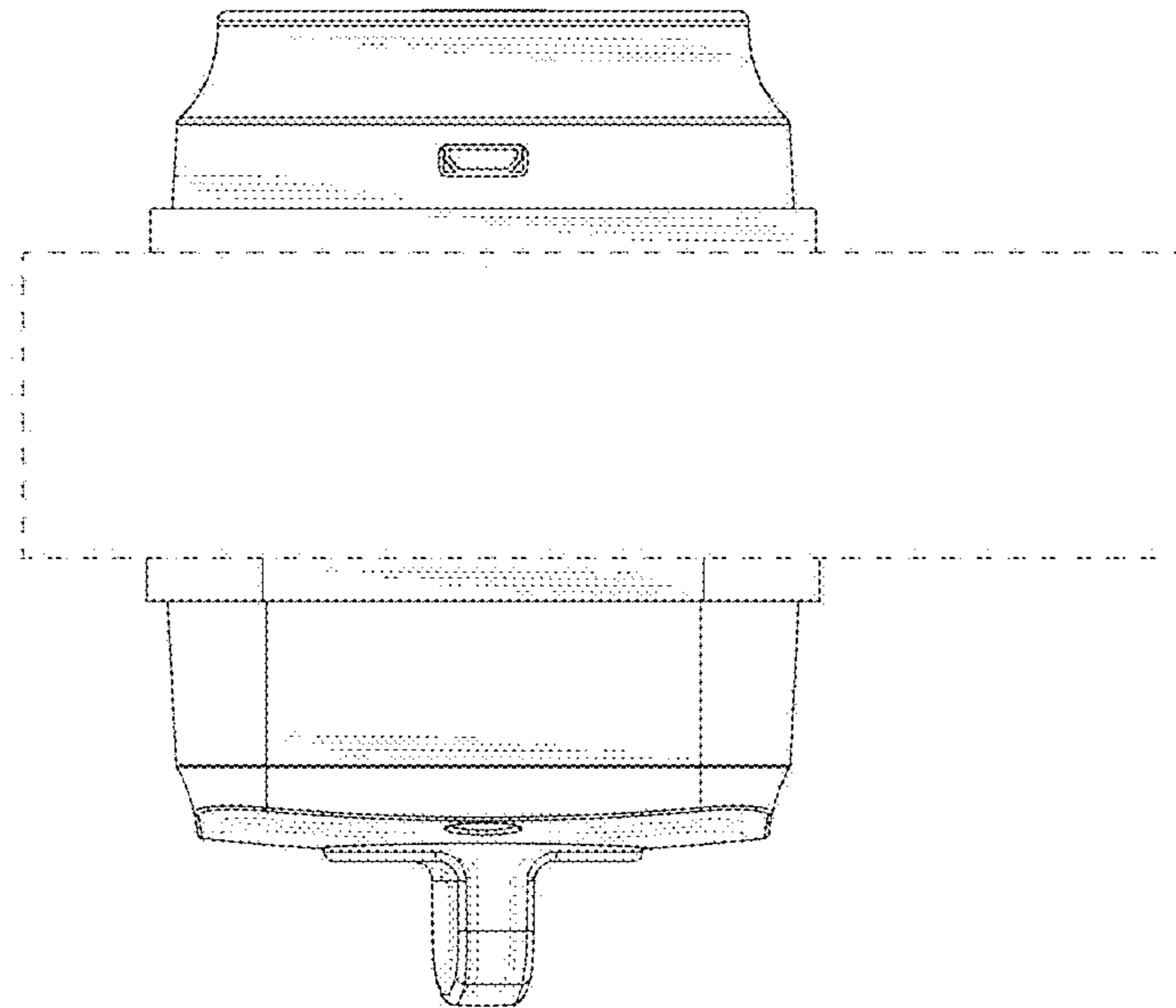


FIG. 7



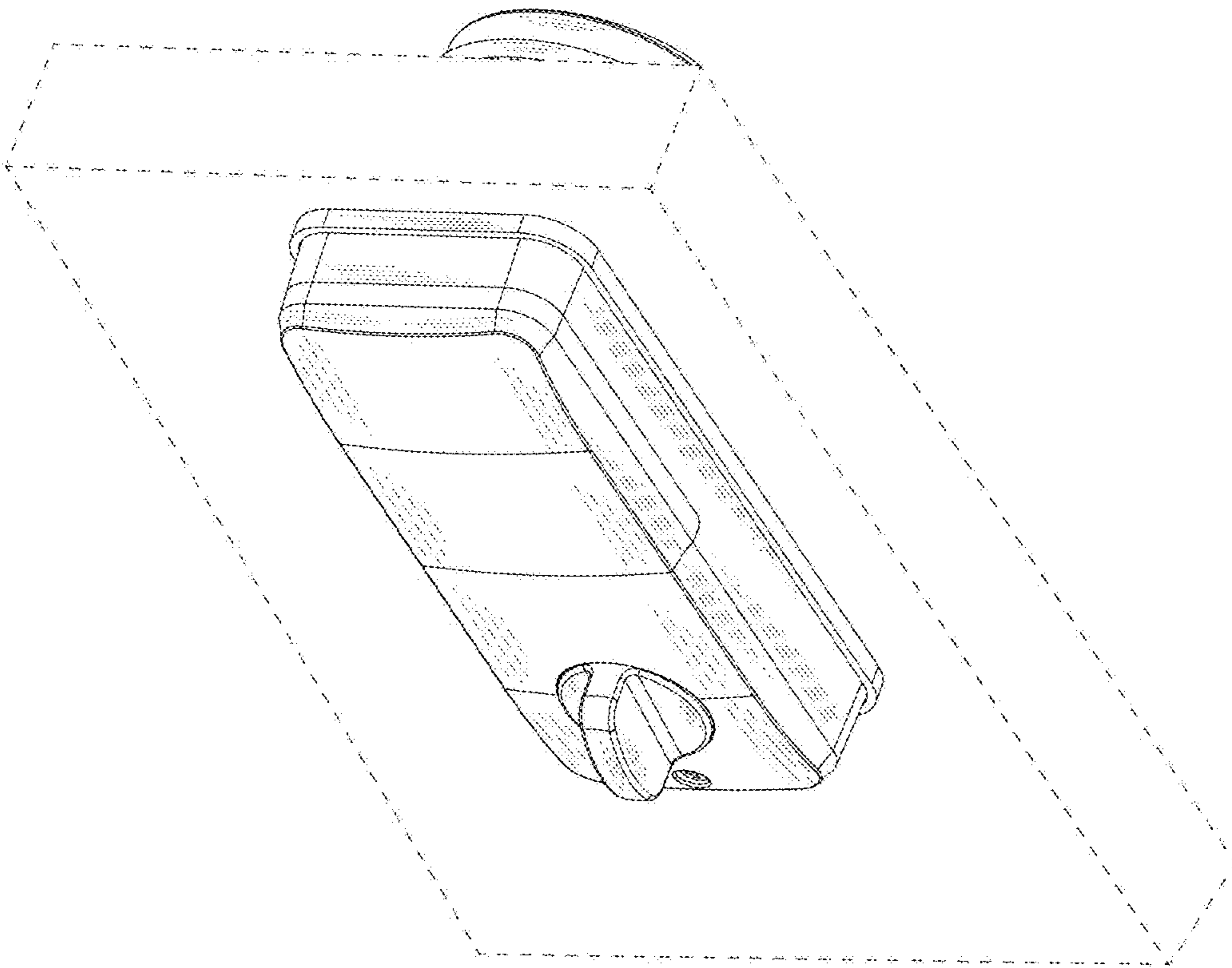


FIG. 8