



US00D983011S

(12) **United States Design Patent** (10) **Patent No.:** **US D983,011 S**
Tu (45) **Date of Patent:** **** Apr. 11, 2023**

- (54) **HINGE**
- (71) Applicant: **Longlong Tu**, Guangdong (CN)
- (72) Inventor: **Longlong Tu**, Guangdong (CN)
- (**) Term: **15 Years**
- (21) Appl. No.: **29/862,123**
- (22) Filed: **Dec. 6, 2022**
- (51) **LOC (14) Cl.** **08-06**
- (52) **U.S. Cl.**
USPC **D8/323**
- (58) **Field of Classification Search**
USPC D8/323, 325, 327, 329, 336; 16/241, 366
CPC E05D 11/1014; E05D 3/186; E05D 7/04
See application file for complete search history.

(56) **References Cited**

U.S. PATENT DOCUMENTS

D625,576 S *	10/2010	Oshima	D8/329
D632,540 S *	2/2011	Oshima	D8/329
D632,945 S *	2/2011	Oshima	D8/329
D635,434 S *	4/2011	Oshima	D8/329
D658,032 S *	4/2012	Oshima	D8/329
8,196,265 B2 *	6/2012	Neukoetter	E05D 3/186 16/382
8,429,794 B2 *	4/2013	Tagtow	E05D 7/0423 16/237
8,434,197 B2 *	5/2013	Oshima	E05D 3/12 16/241
8,621,717 B2 *	1/2014	Liermann	E05D 3/186 16/366
D710,181 S	8/2014	Christensen et al.		
8,863,361 B2 *	10/2014	Neukoetter	E05D 3/186 16/366
D743,772 S *	11/2015	Yamaguchi	D8/323
D745,363 S *	12/2015	Polo Friz	D8/323

D790,317 S	6/2017	Christensen et al.		
9,822,564 B2 *	11/2017	Dreisewerd	E05D 7/04
D818,791 S *	5/2018	Yamaguchi	D8/323
2008/0022491 A1 *	1/2008	Campbell	E05D 7/12 16/236

* cited by examiner

Primary Examiner — Cynthia R Underwood
(74) *Attorney, Agent, or Firm* — ScienBiziP, P.C.

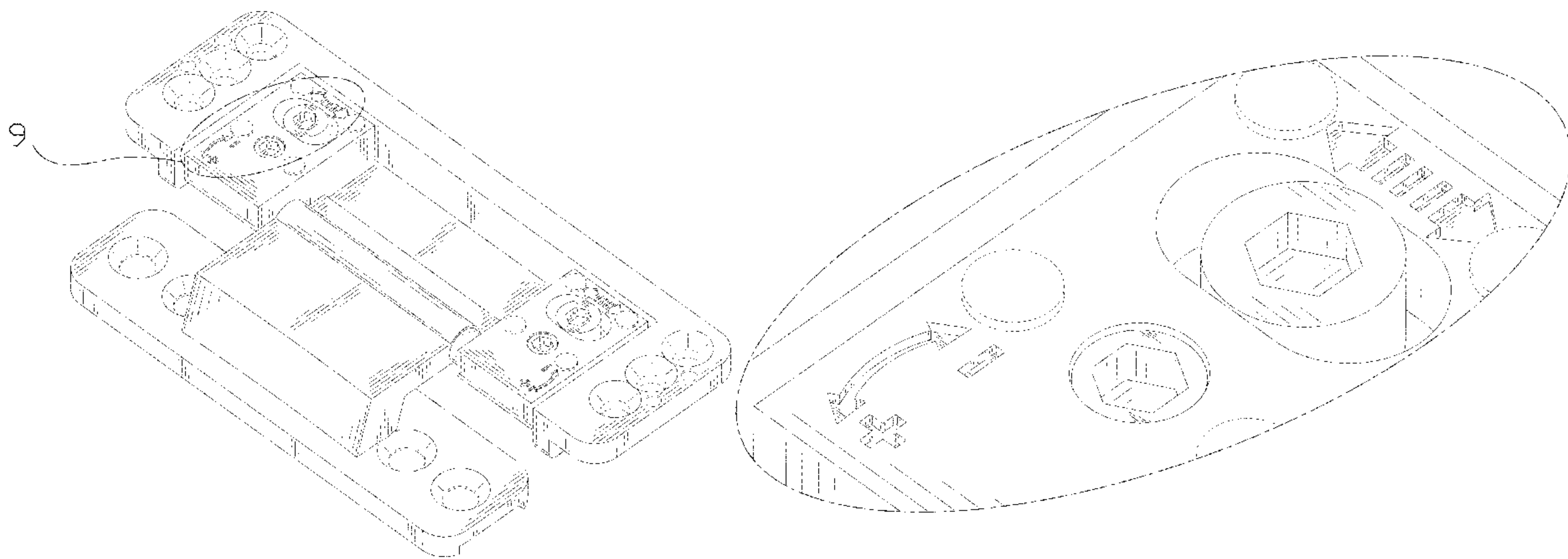
(57) **CLAIM**

The ornamental design for a hinge, as shown and described.

DESCRIPTION

FIG. 1 is a front, right and top perspective view of a hinge, showing my design.
 FIG. 2 is a rear, left and bottom perspective view thereof.
 FIG. 3 is a front elevation view thereof.
 FIG. 4 is a rear elevation view thereof.
 FIG. 5 is a left side elevation view thereof.
 FIG. 6 is a right side elevation view thereof.
 FIG. 7 is a top plan view thereof.
 FIG. 8 is a bottom plan view thereof.
 FIG. 9 is a partial enlarged view of an area labeled 9 in FIG. 1.
 FIG. 10 is a second embodiment thereof, showing the hinge from the front, right and top perspective in a first state of use; and,
 FIG. 11 is another front, right and top perspective view thereof, shown in a second state of use.
 The broken lines depict portions of the hinge that form no part of the claimed design. In addition, the dot-dash broken lines in FIGS. 1 and 9 depict the boundaries of the enlargements that form no part of the claimed design.

1 Claim, 11 Drawing Sheets



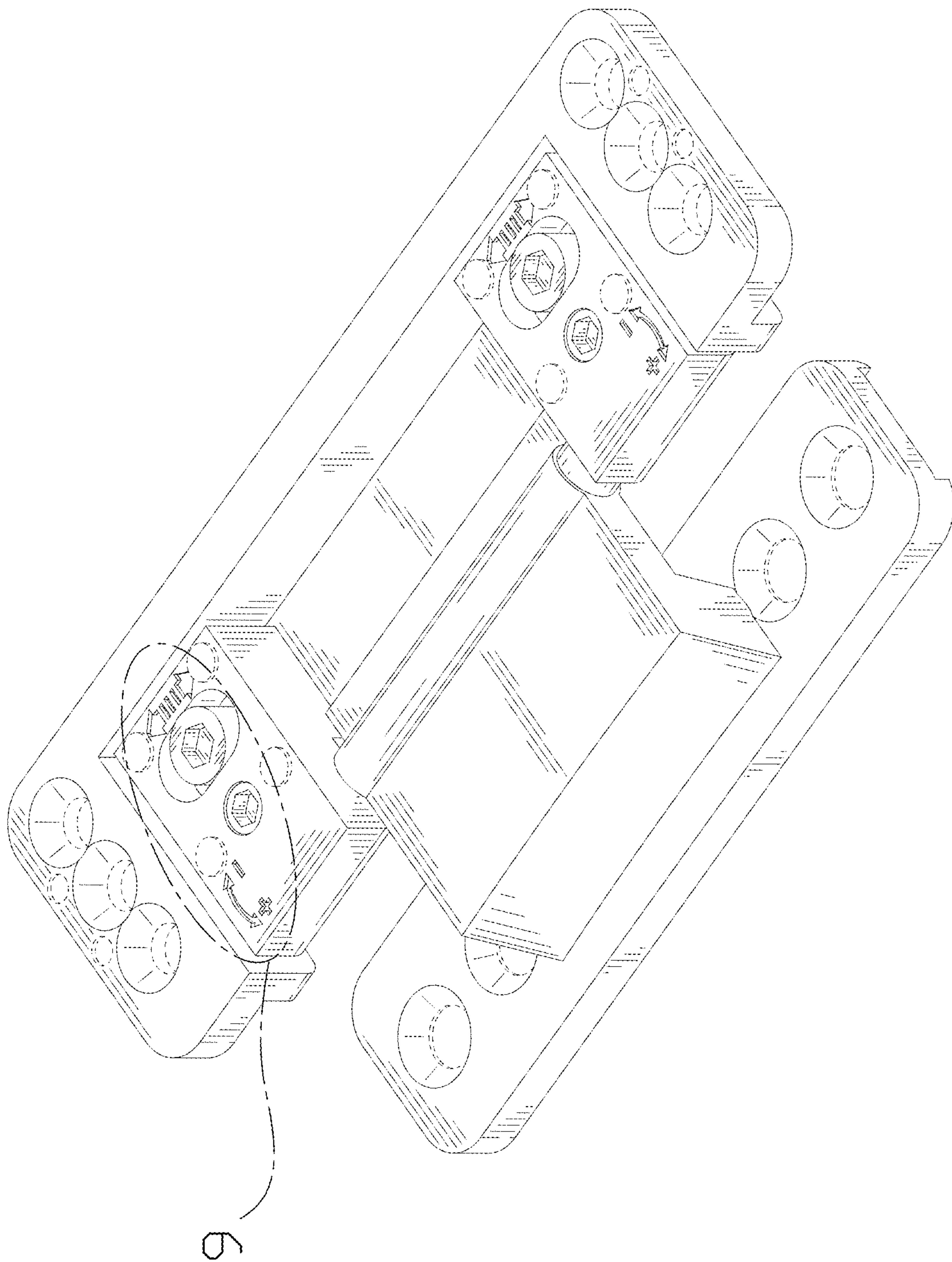


FIG. 1

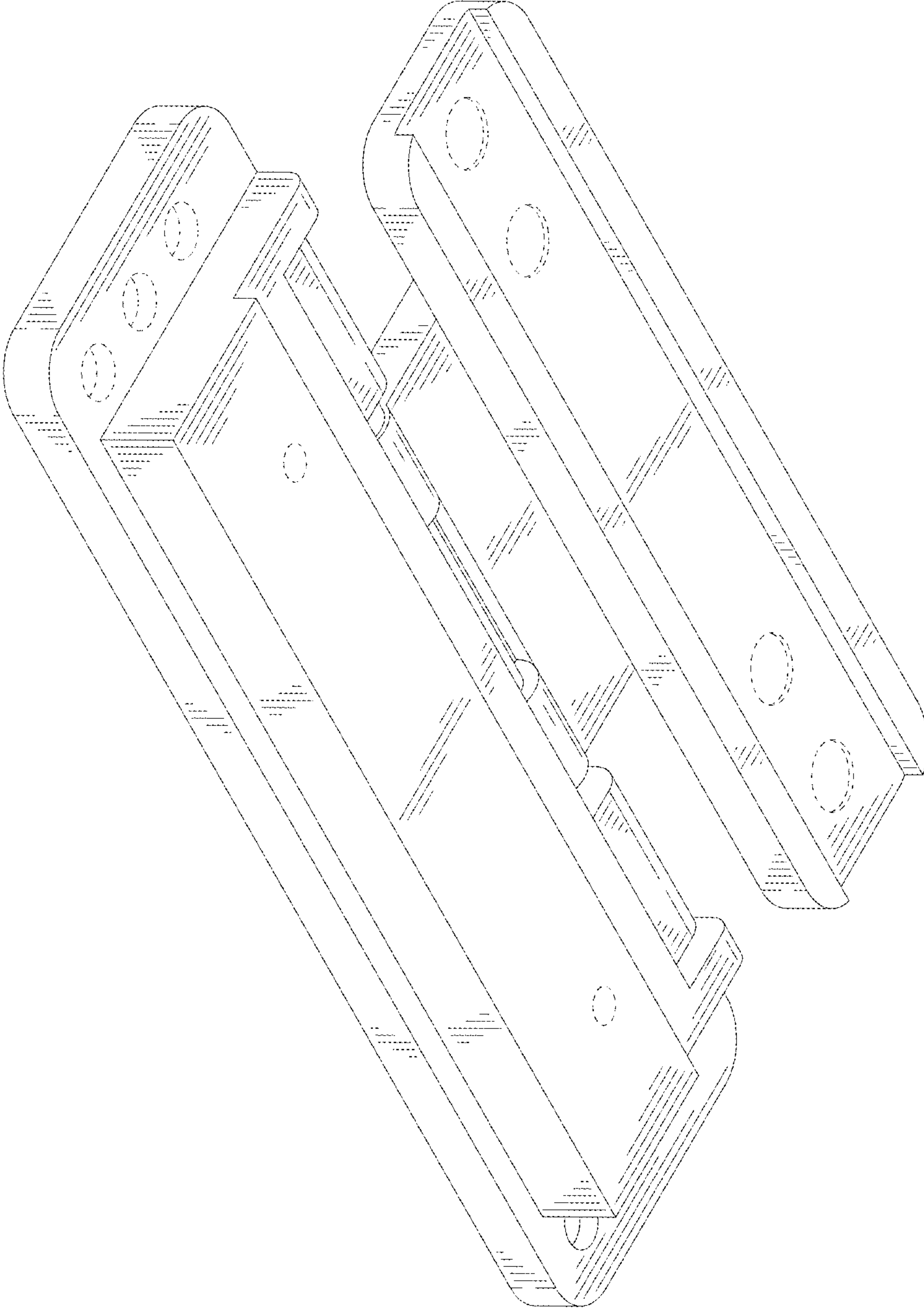


FIG. 2

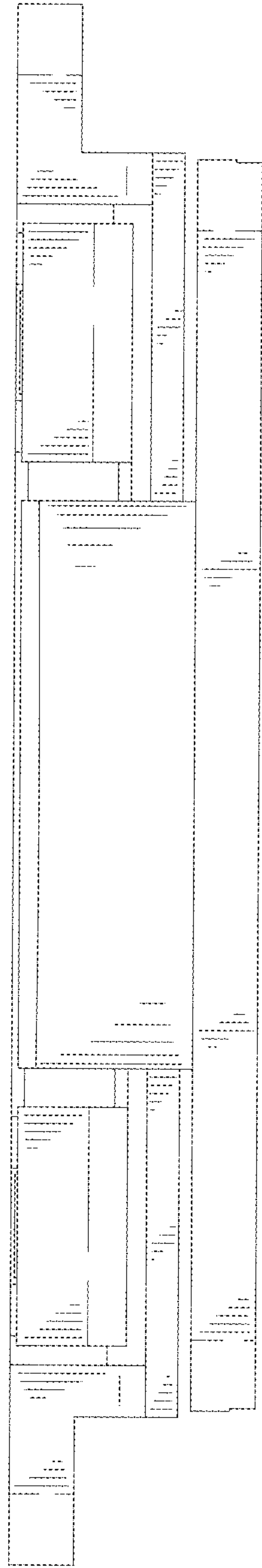


FIG. 3

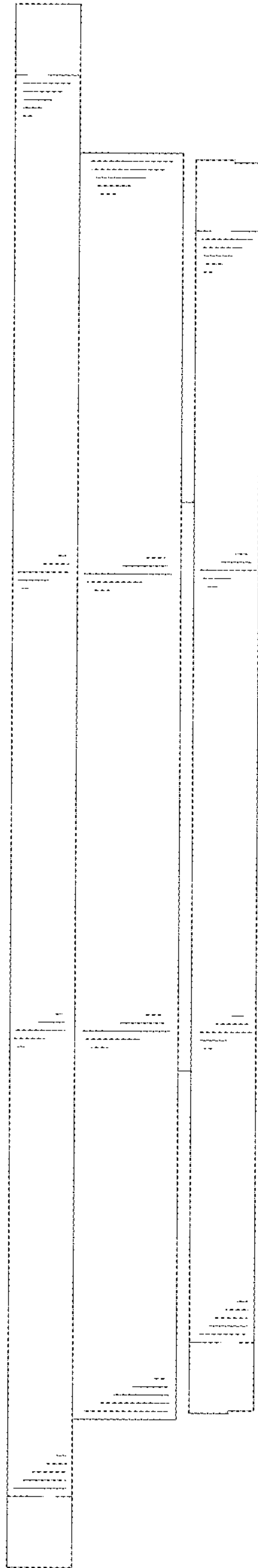


FIG. 4

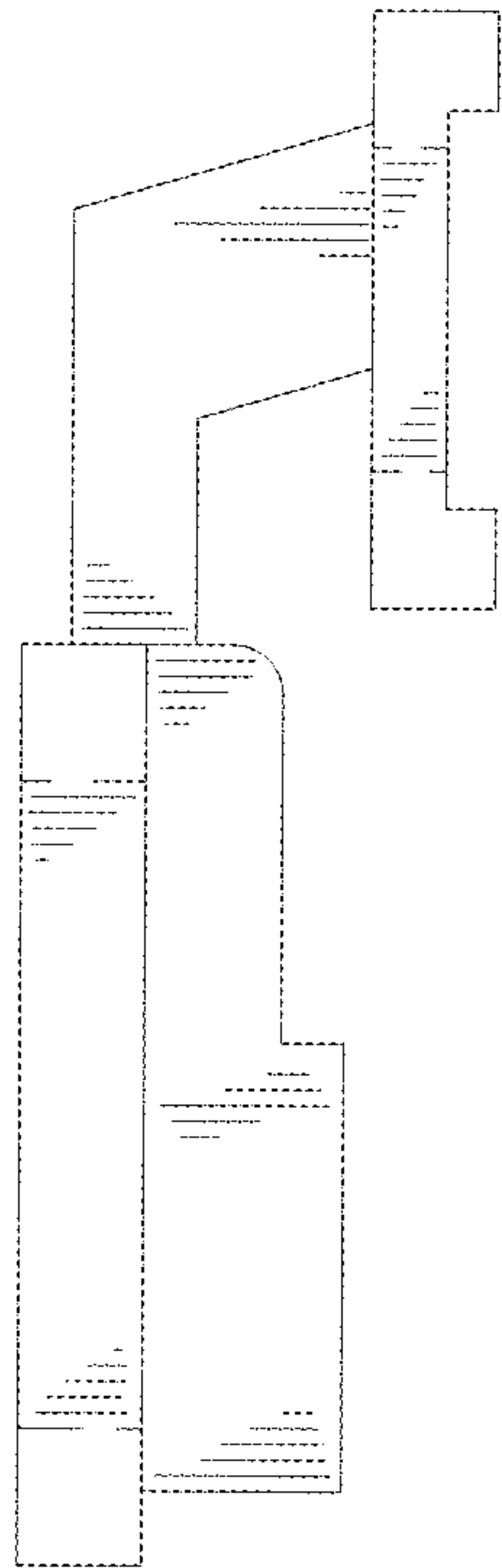


FIG. 5

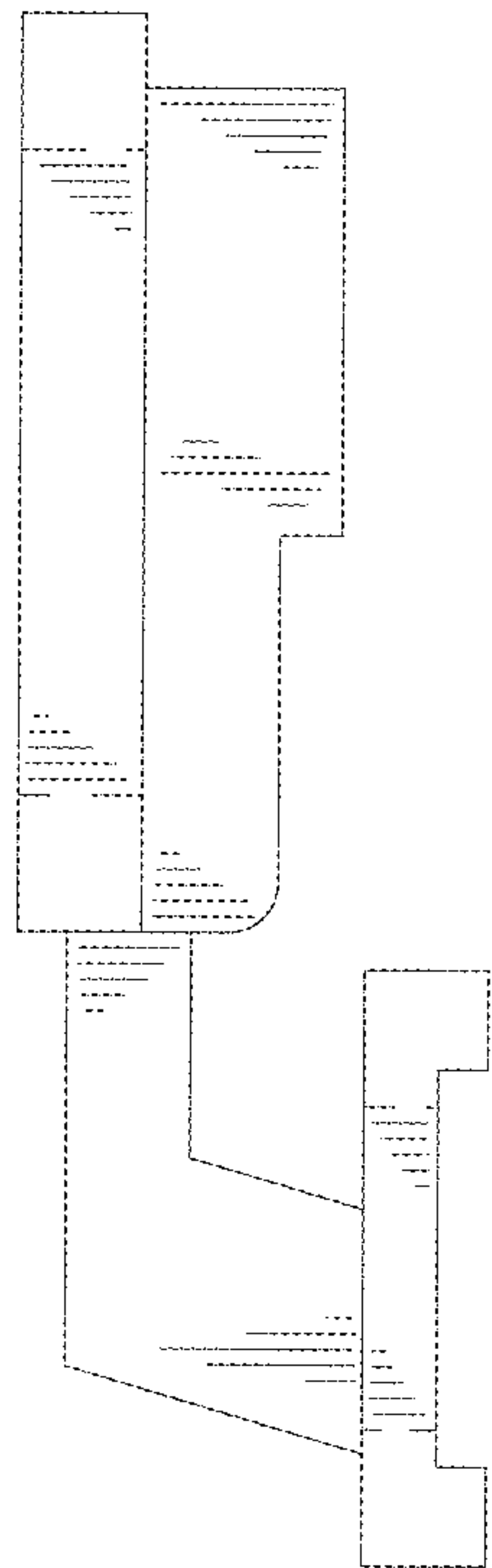


FIG. 6

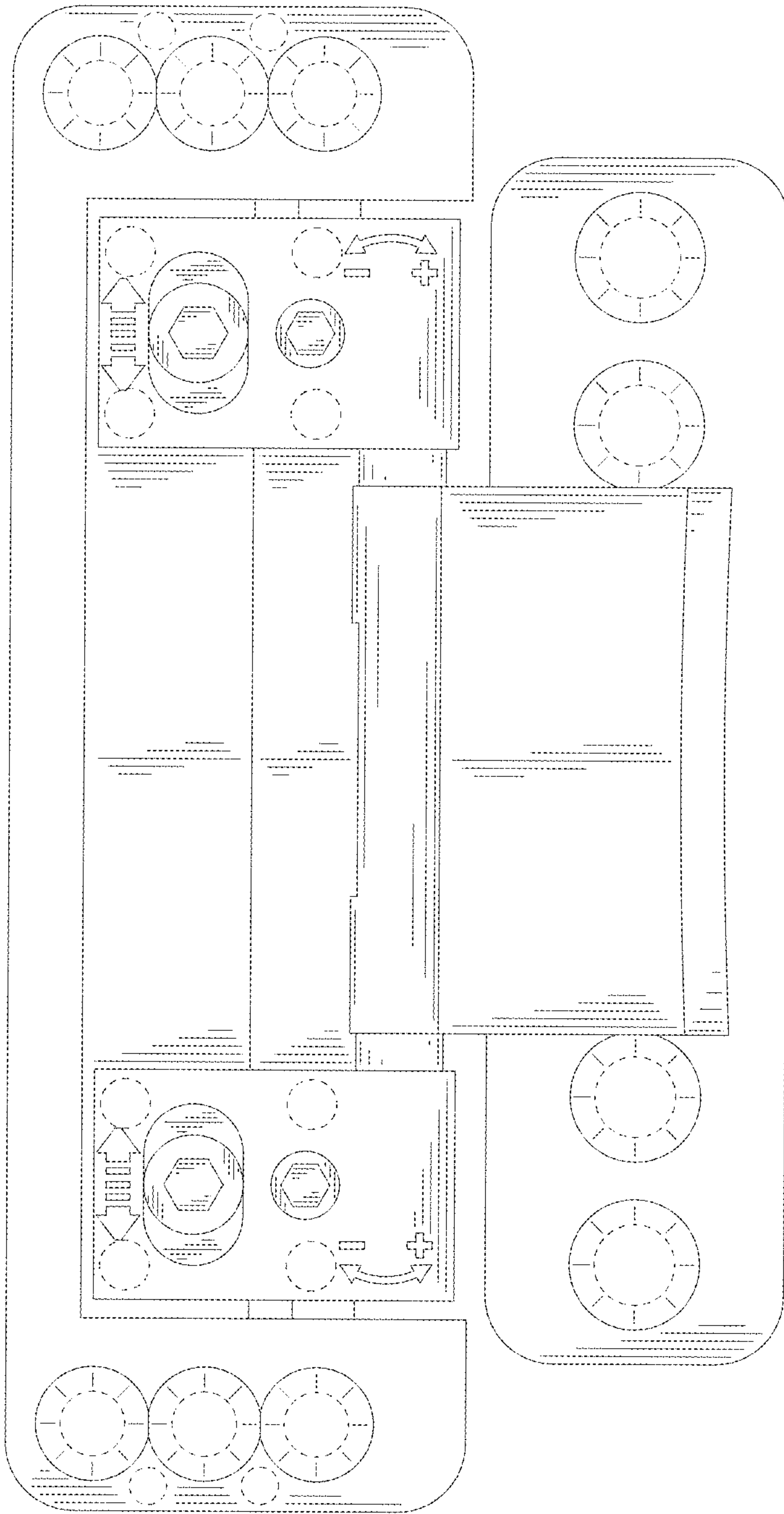


FIG. 7

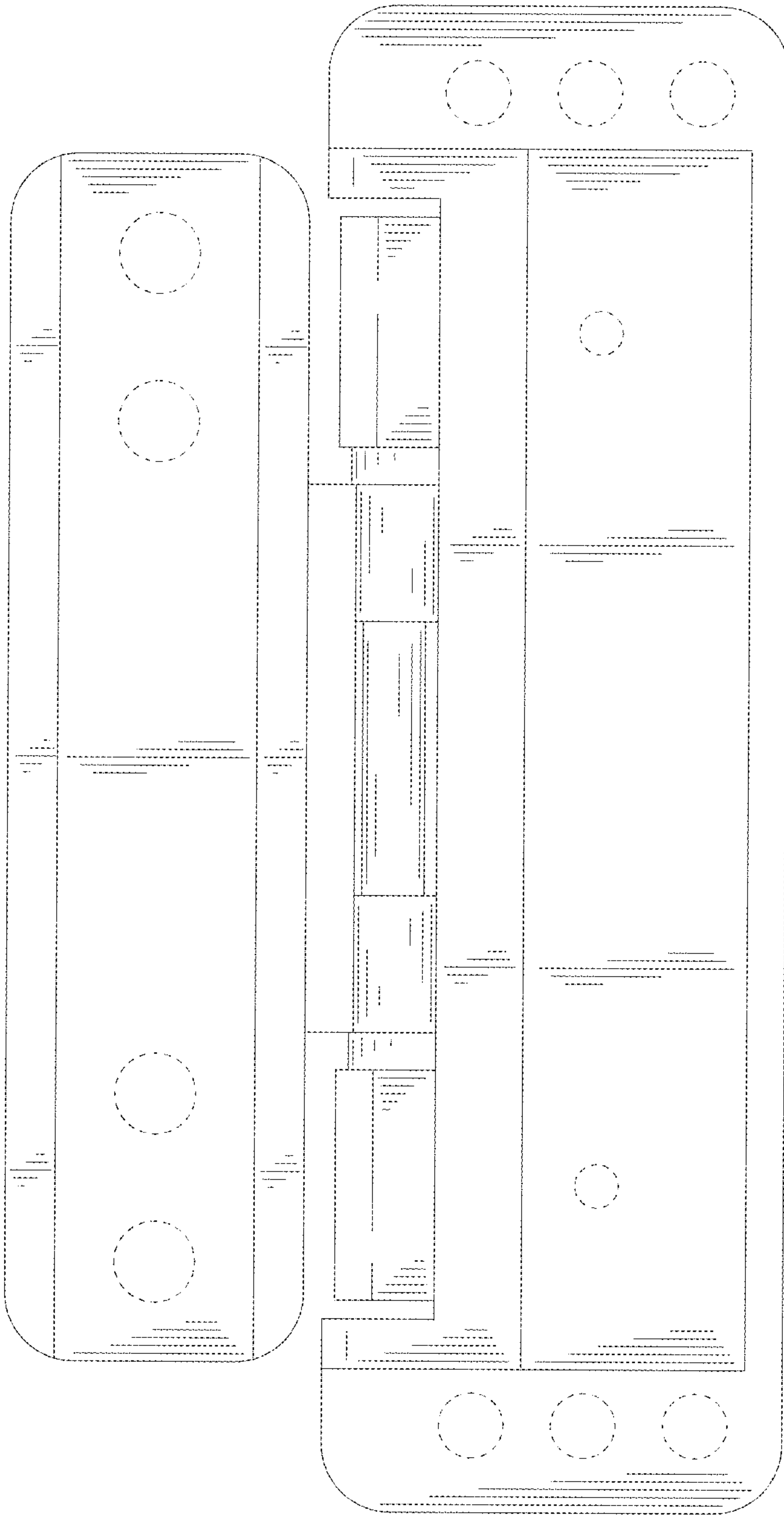


FIG. 8

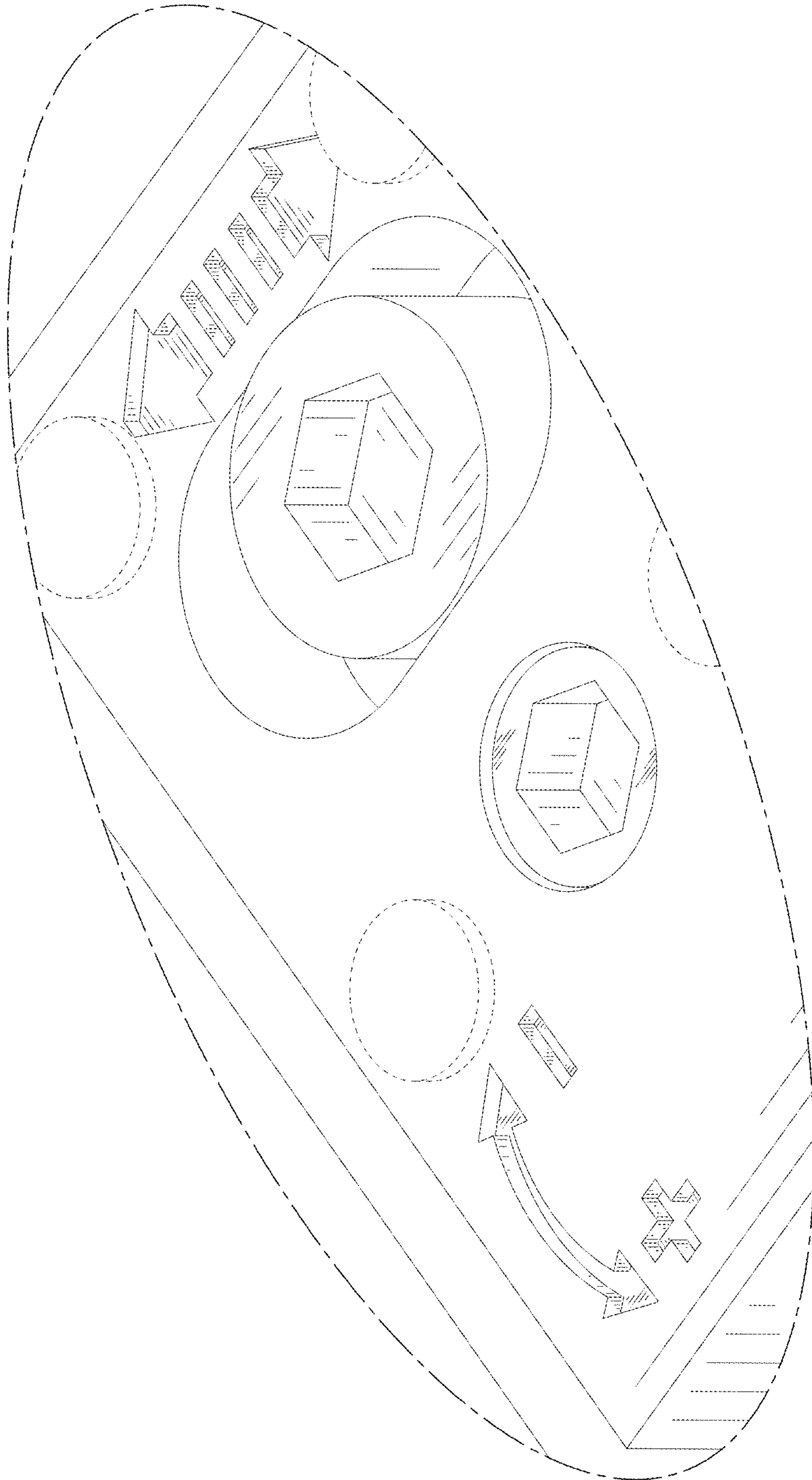


FIG. 9

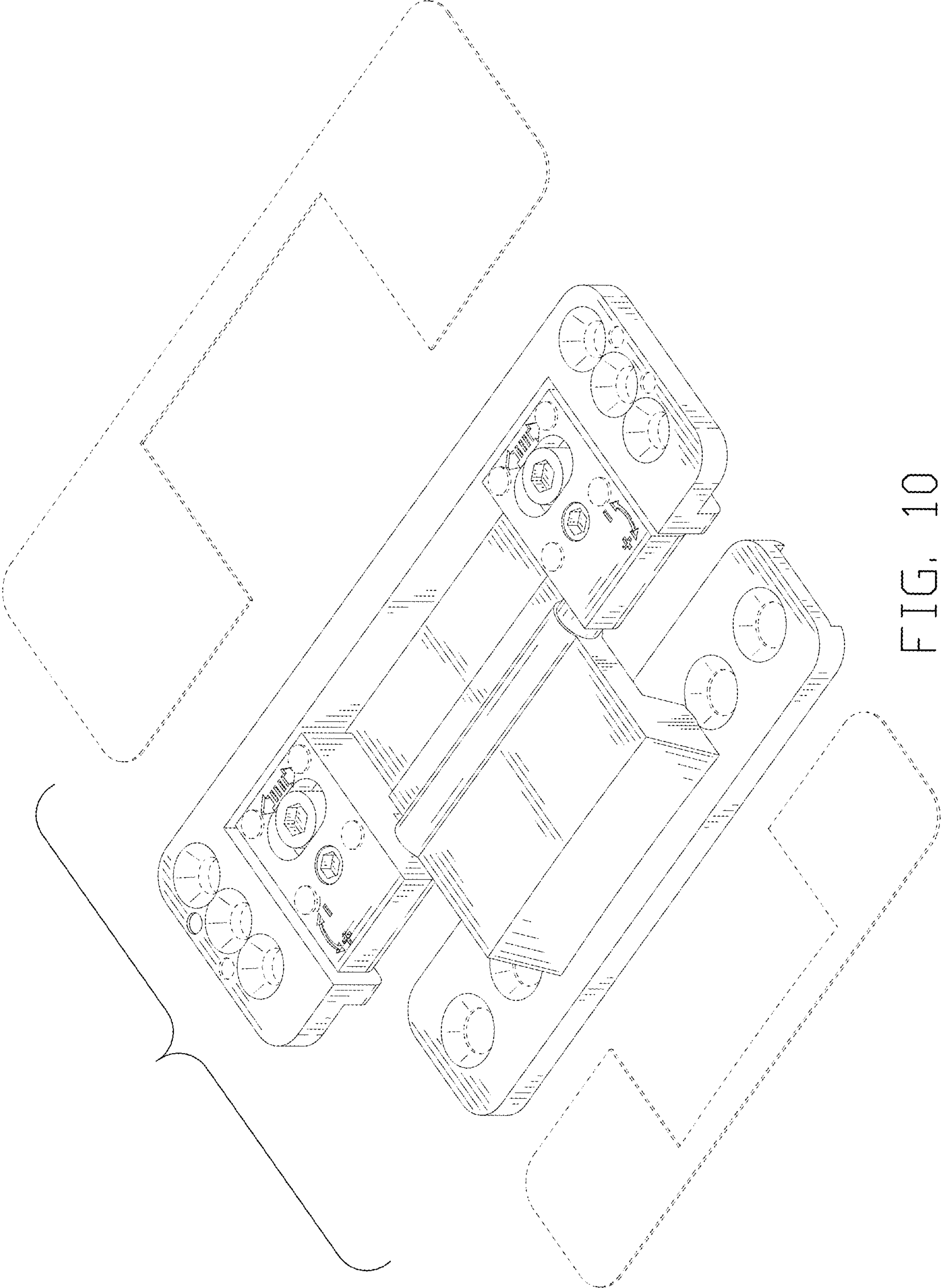


FIG. 10

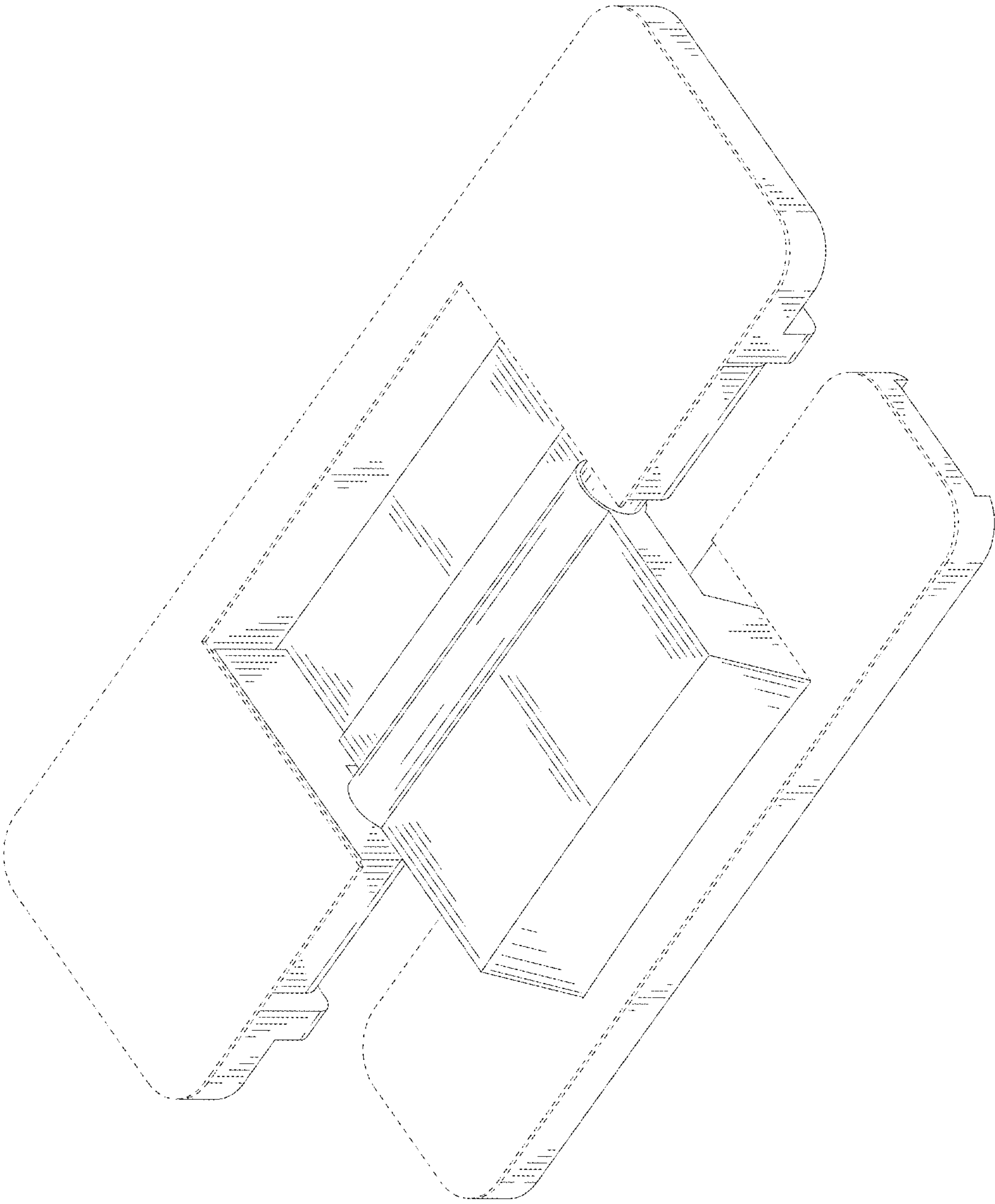


FIG. 11