



US00D983010S

(12) **United States Design Patent** (10) **Patent No.:** **US D983,010 S**
Fritz (45) **Date of Patent:** **** Apr. 11, 2023**

(54) **PULL**

(71) Applicant: **DELTA FAUCET COMPANY,**
Indianapolis, IN (US)

(72) Inventor: **Seth Fritz,** Carmel, IN (US)

(73) Assignee: **DELTA FAUCET COMPANY,**
Indianapolis, IN (US)

(**) Term: **15 Years**

(21) Appl. No.: **29/804,651**

(22) Filed: **Aug. 22, 2021**

(51) **LOC (14) Cl.** **08-06**

(52) **U.S. Cl.**
USPC **D8/316**

(58) **Field of Classification Search**
USPC D8/300, 302, 305, 311-321
CPC Y10T 16/469; Y10T 16/44; Y10T 16/458;
Y10T 16/498; Y10T 16/476; Y10T
16/459; Y10T 16/466; Y10T 16/4713;
Y10T 16/4644; Y10T 16/513; Y10T
16/509; Y10T 16/473; Y10T 16/462;
Y10T 16/4701

See application file for complete search history.

(56) **References Cited**

U.S. PATENT DOCUMENTS

D251,410 S * 3/1979 Pittenger D8/316
D272,800 S * 2/1984 Pawlow D8/318

D274,035 S * 5/1984 Pawlow D8/316
D438,776 S * 3/2001 Boscherini D8/316
D492,530 S * 7/2004 Chen D6/549
D647,383 S * 10/2011 Bishop D8/317
D669,756 S * 10/2012 Matijevic D8/316
D680,413 S * 4/2013 Ramsland D8/316
D715,577 S * 10/2014 Fritz D6/549
D735,015 S * 7/2015 Fritz D8/316
D803,659 S * 11/2017 Zimmer D8/316

* cited by examiner

Primary Examiner — Keli L Hill

Assistant Examiner — Harold E Blackwell, II

(74) *Attorney, Agent, or Firm* — Jeffrey L. Doyle

(57) **CLAIM**

The ornamental design for a pull, as shown and described.

DESCRIPTION

FIG. 1 is a front perspective view of a pull showing my new design;

FIG. 2 is a rear perspective view thereof;

FIG. 3 is a front elevational view thereof;

FIG. 4 is a left side view thereof;

FIG. 5 is a rear view thereof;

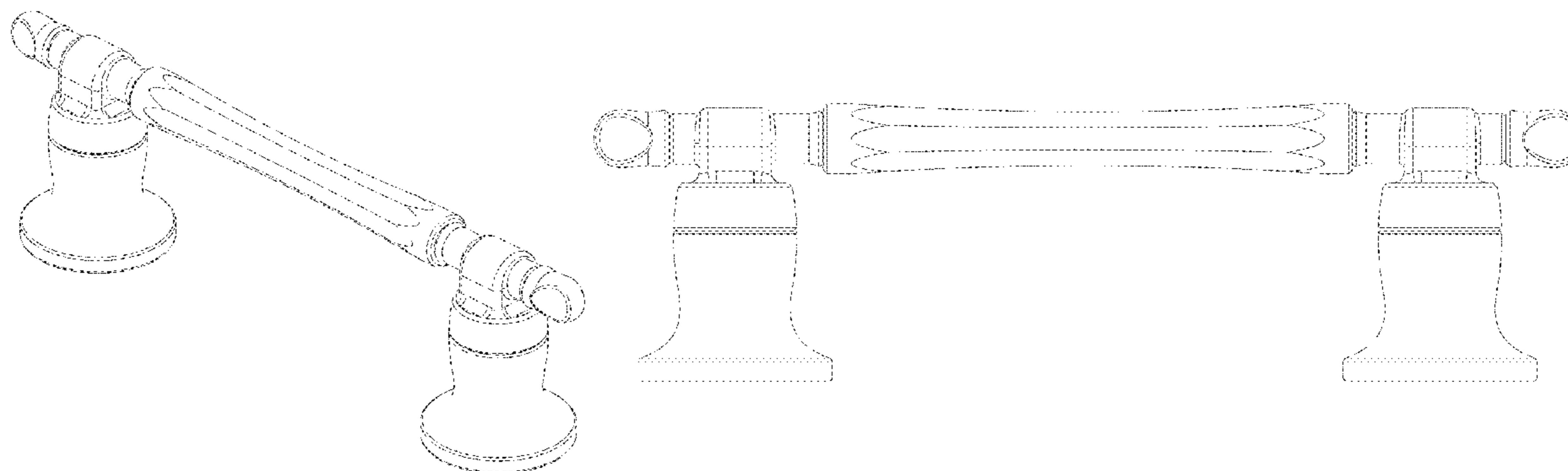
FIG. 6 is a right side view thereof;

FIG. 7 is a top plan view thereof; and,

FIG. 8 is a bottom view thereof.

The broken lines in the drawings illustrate portions of the pull which form no part of the claimed design.

1 Claim, 4 Drawing Sheets



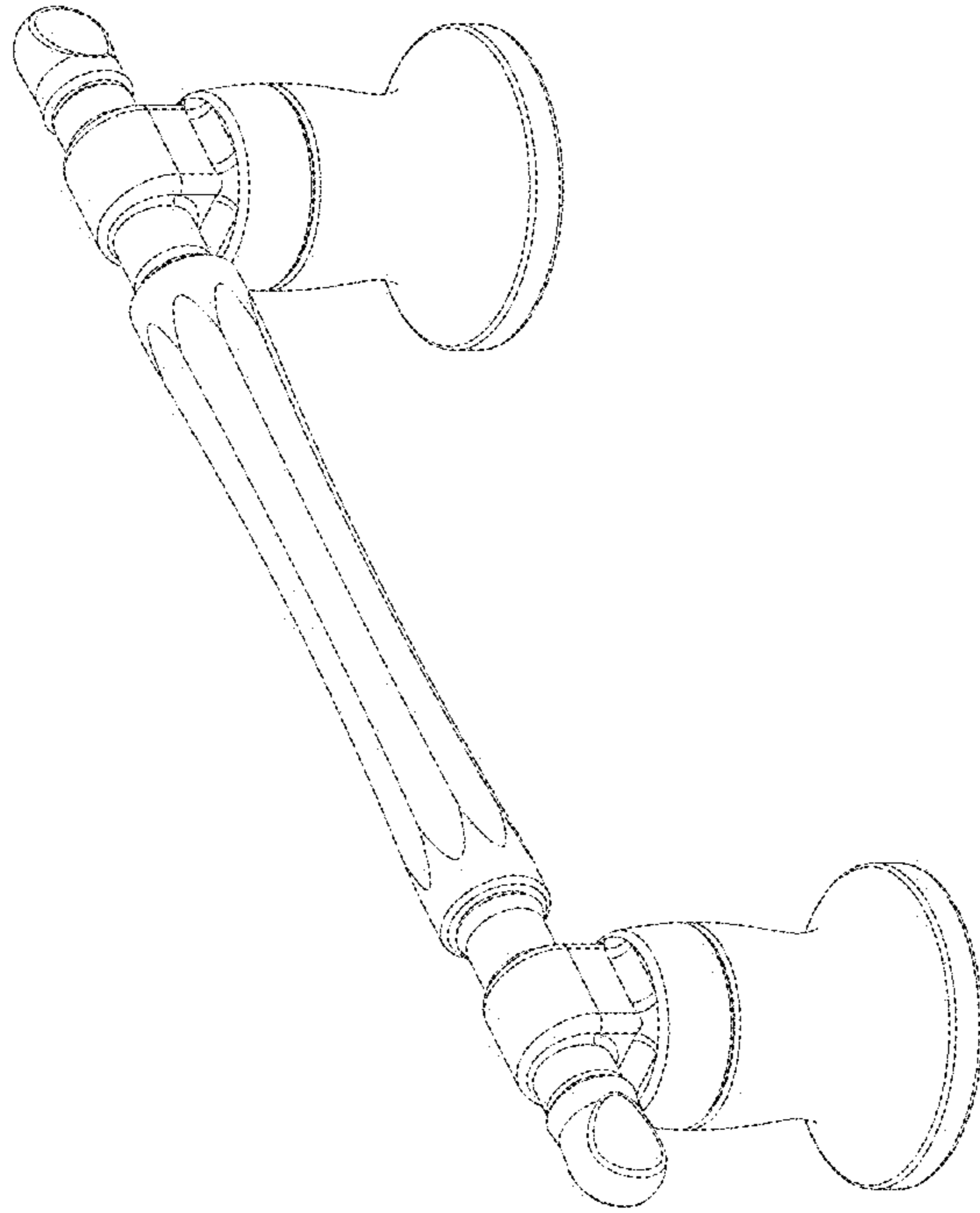


FIG - 2

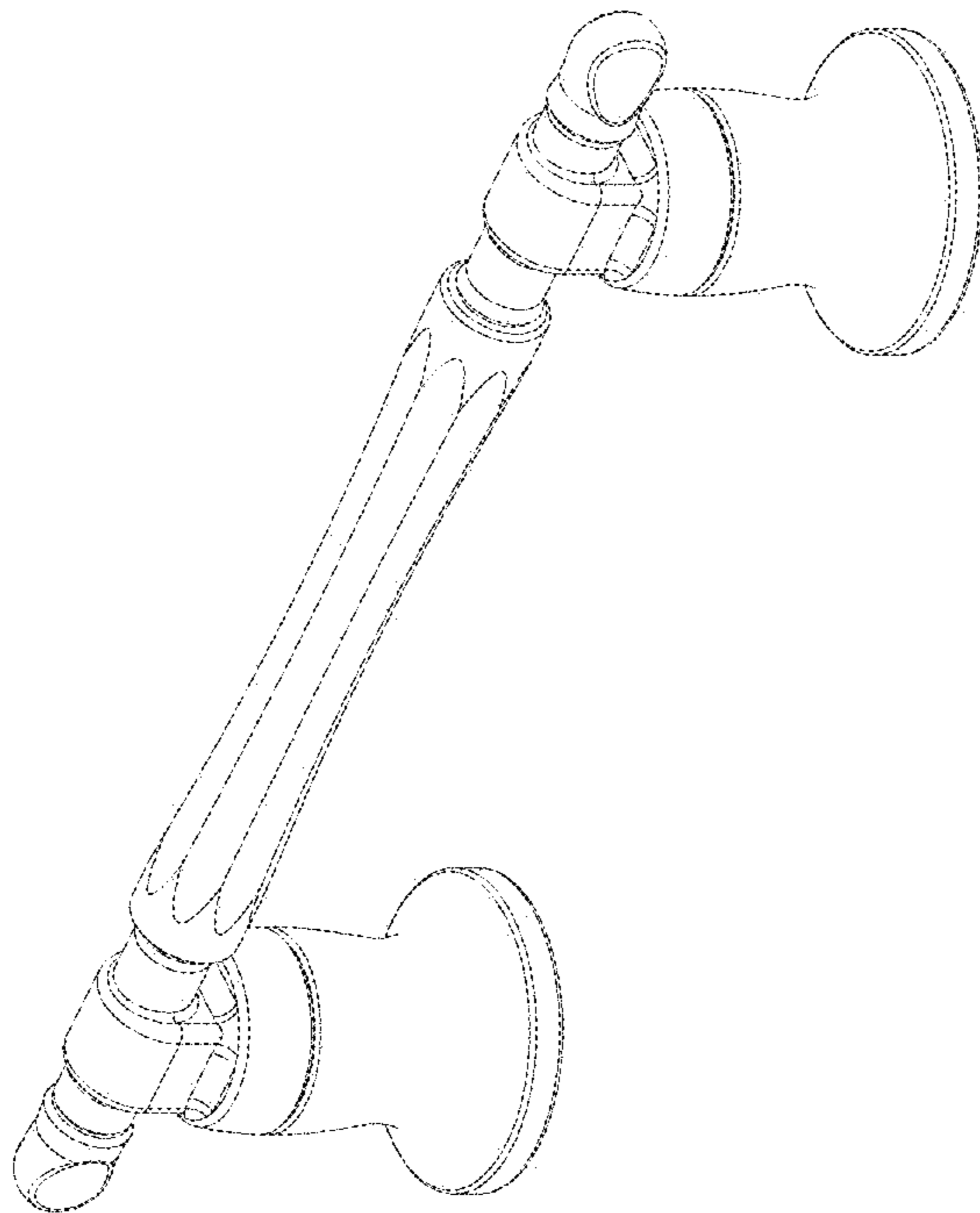


FIG - 1

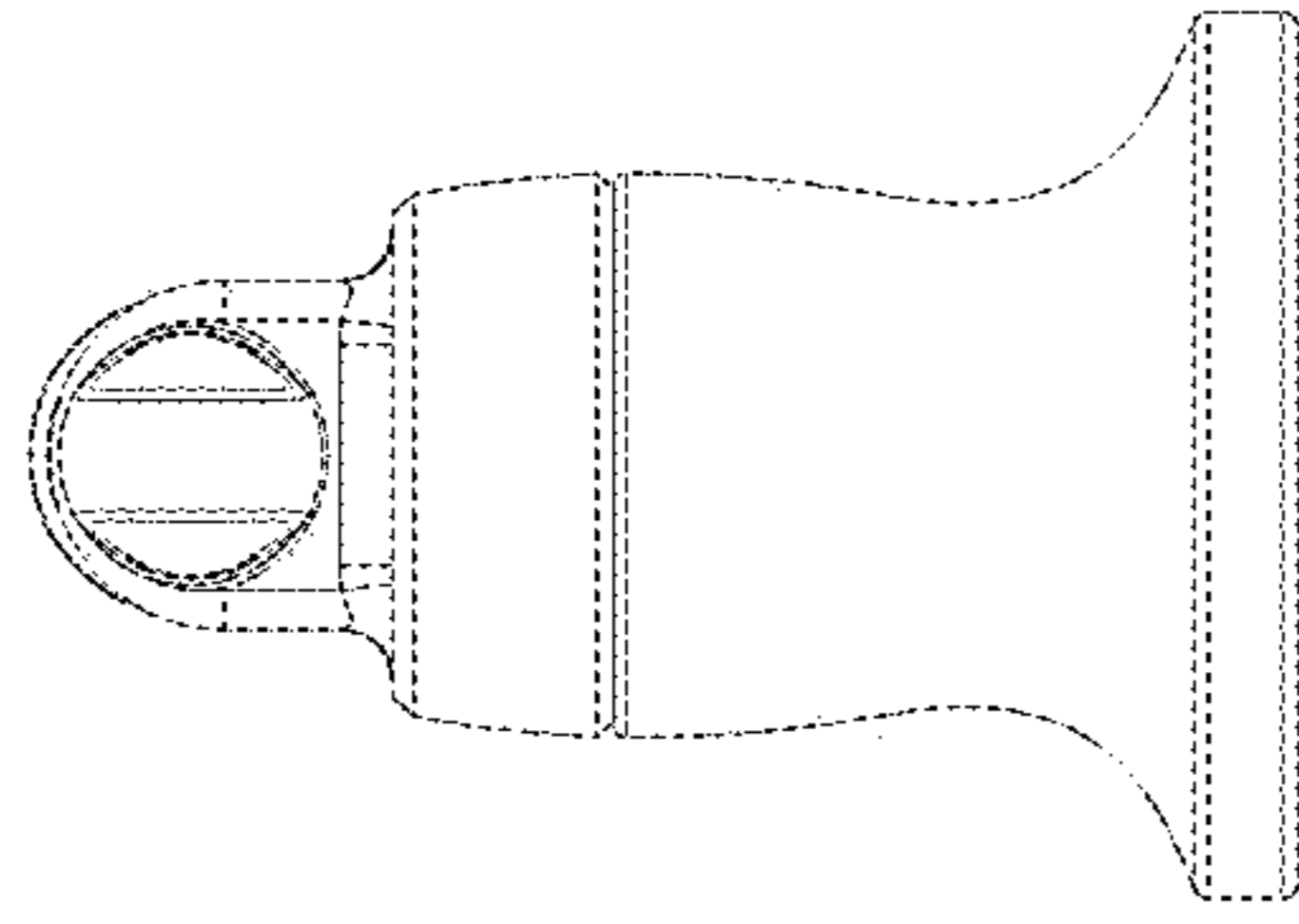


FIG - 4

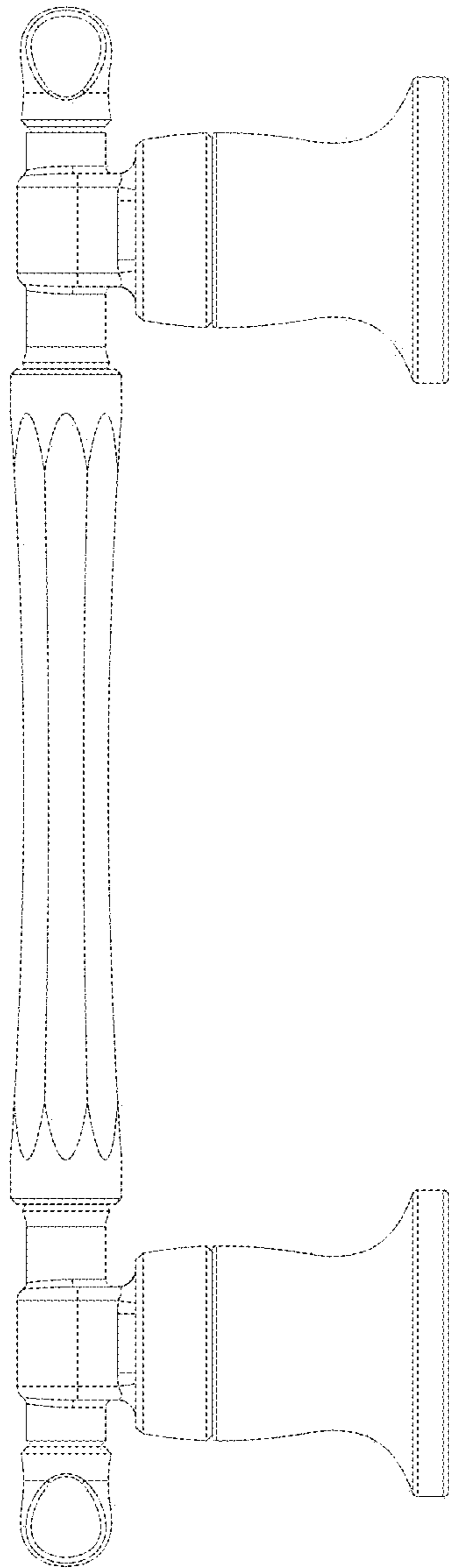


FIG - 3

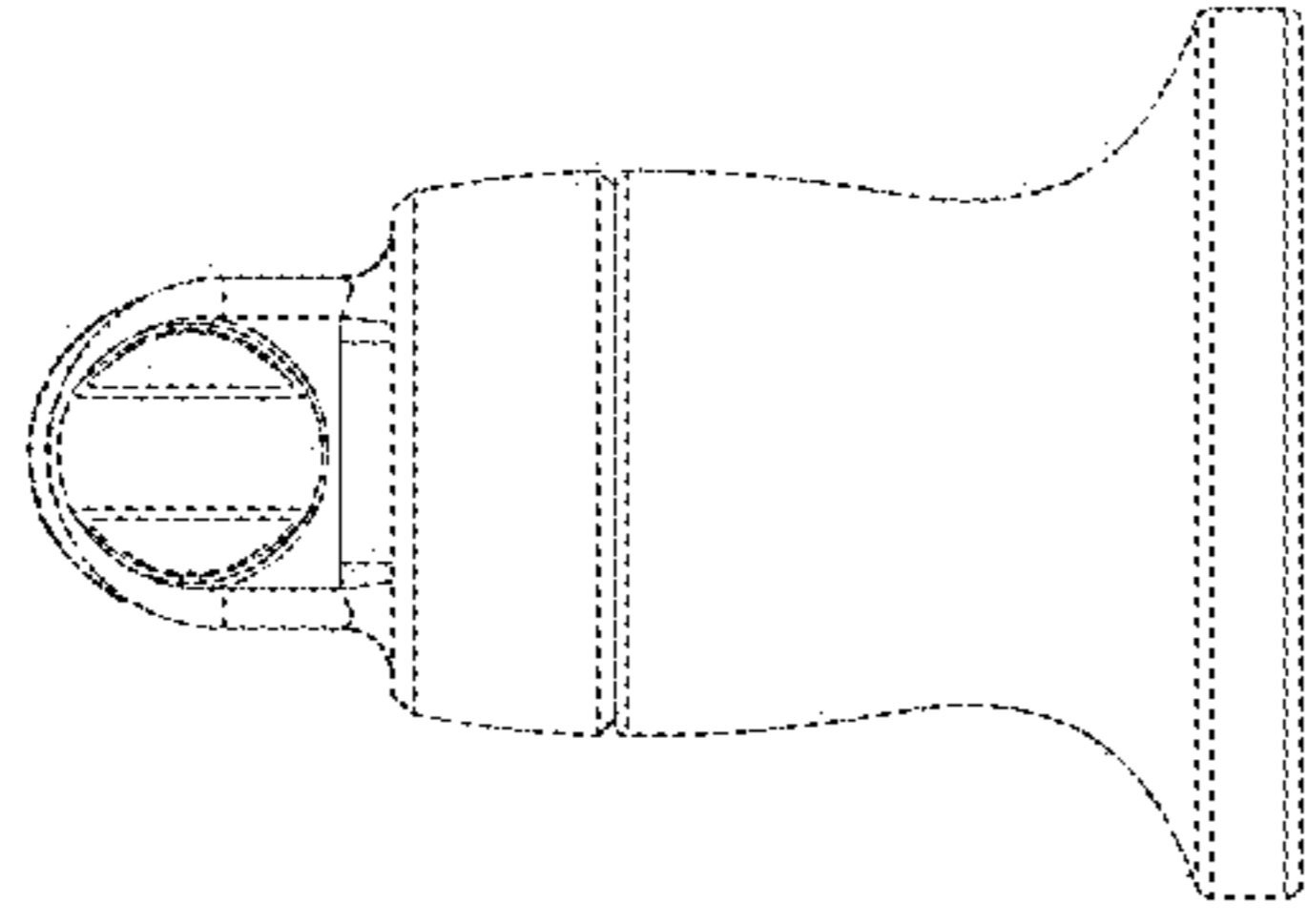


FIG - 6

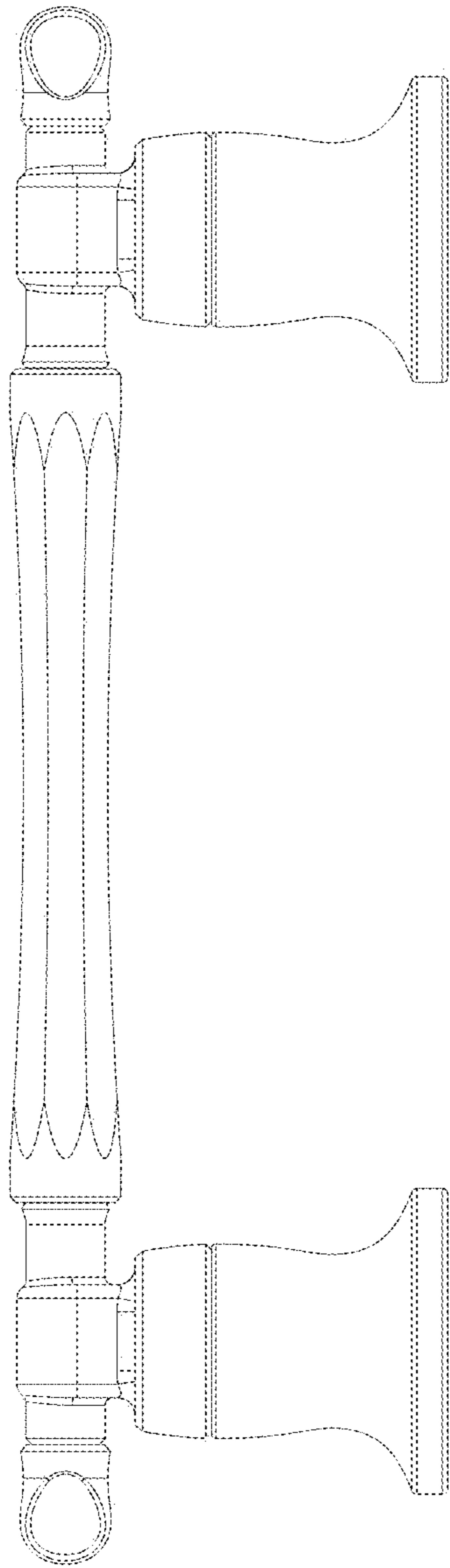


FIG - 5

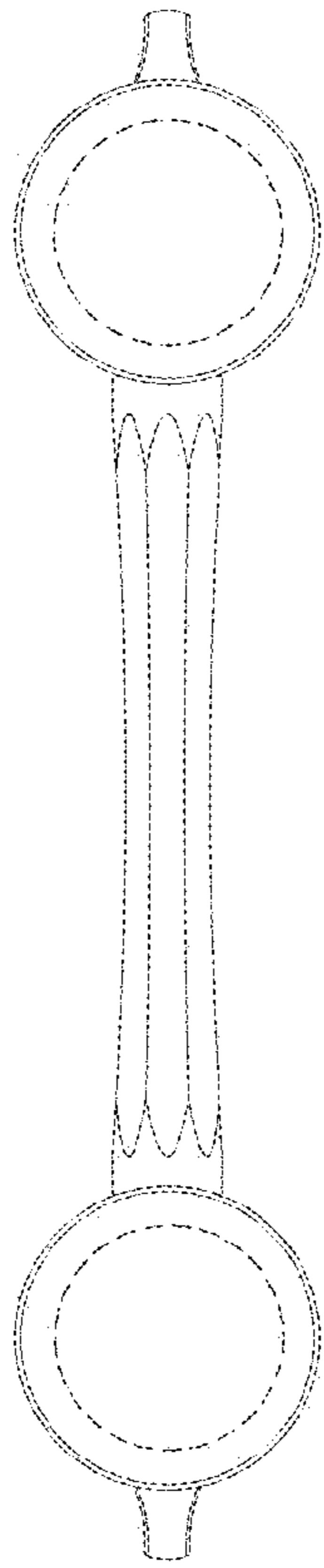


FIG - 8

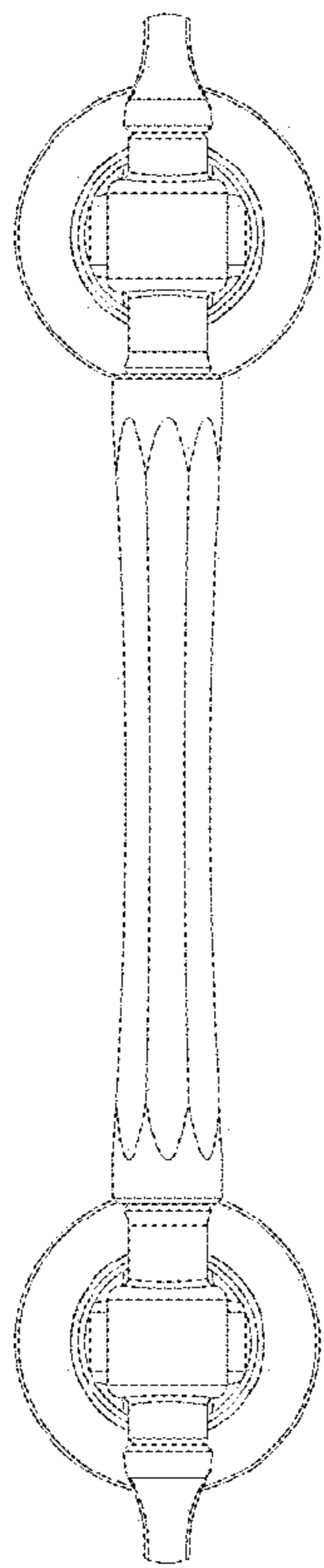


FIG - 7