



US00D983008S

(12) **United States Design Patent** (10) **Patent No.:** **US D983,008 S**
Herbst (45) **Date of Patent:** **** Apr. 11, 2023**

(54) **UTILITY KNIFE**
(71) Applicant: **Slice, Inc.**, Sunny Isles, FL (US)
(72) Inventor: **Scot Brown Herbst**, Santa Cruz, CA (US)
(73) Assignee: **Slice, Inc.**, Sunny Isles, FL (US)
(**) Term: **15 Years**
(21) Appl. No.: **29/782,030**
(22) Filed: **May 3, 2021**
(51) **LOC (14) Cl.** **08-03**
(52) **U.S. Cl.**
USPC **D8/99**
(58) **Field of Classification Search**
USPC D8/98, 99, 107, 14, 20; D22/118
CPC B26B 5/001; B26B 5/003; B26B 11/00;
B26B 1/08; B26B 1/02; B26B 1/10;
B26B 1/04; B26B 1/046; B26B 1/048;
B26B 1/042
See application file for complete search history.

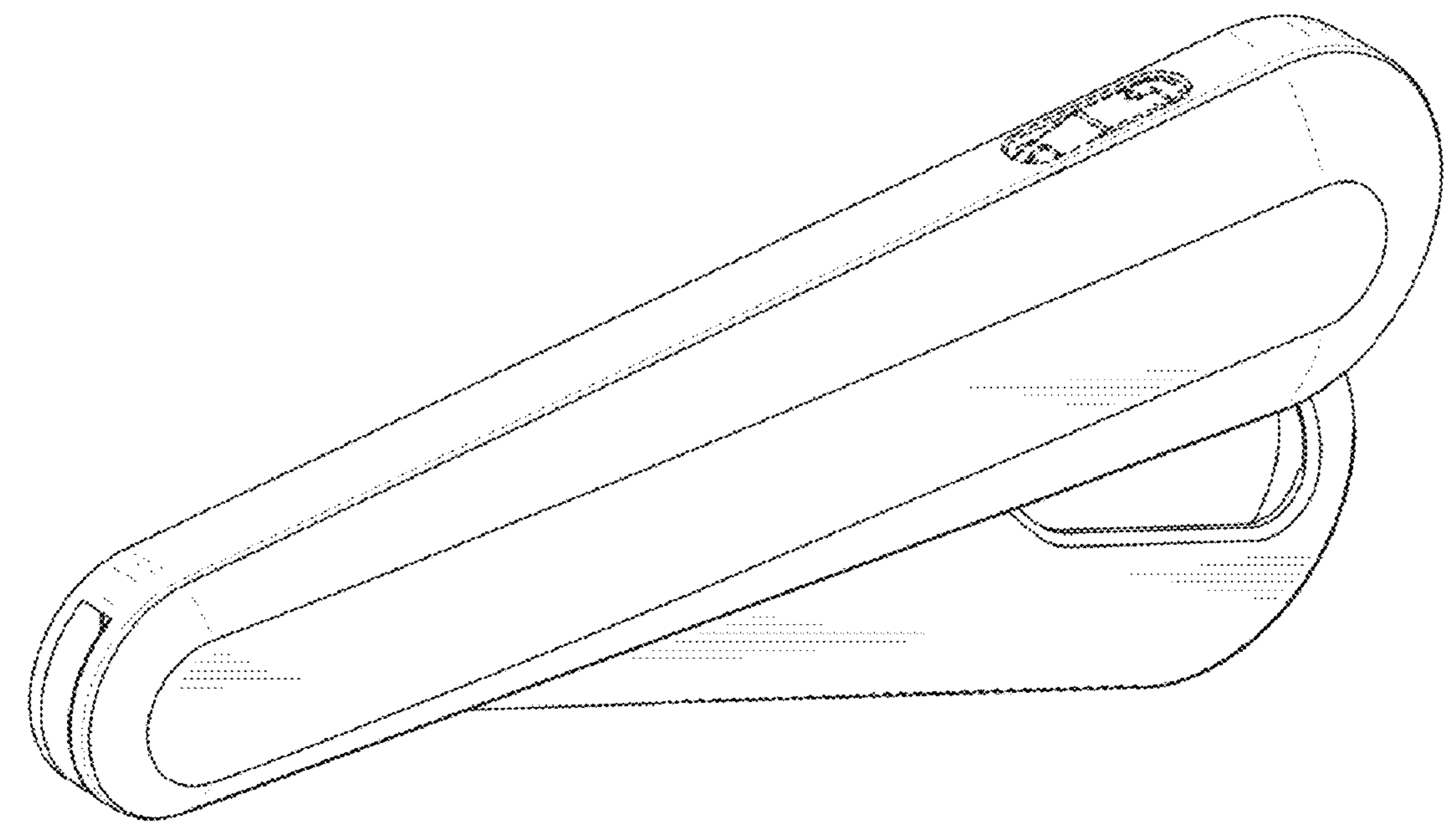
(56) **References Cited**
U.S. PATENT DOCUMENTS
D401,832 S * 12/1998 Keklak D8/99
D492,179 S * 6/2004 Hernandez D8/98
D529,780 S * 10/2006 Davis D8/99
D712,228 S * 9/2014 Rohrbach D8/99
D743,235 S * 11/2015 Rohrbach B26B 5/001
D881,668 S * 4/2020 Yao B26B 1/08
D881,669 S * 4/2020 Yao B26B 5/003
2008/0250651 A1* 10/2008 Davis B26B 5/003
30/162

2010/0319200 A1* 12/2010 Davis B26B 5/003
30/162
2013/0239415 A1* 9/2013 Wagner B26B 1/08
30/162
2014/0366385 A1* 12/2014 Herlitz B26B 5/001
30/162
2022/0072722 A1* 3/2022 Liu B26B 5/003
* cited by examiner
Primary Examiner — Philip S Hyder
(74) *Attorney, Agent, or Firm* — Ellenoff Grossman & Schole LLP; James M. Smedley; Alex Korona

(57) **CLAIM**
I claim the ornamental design for a utility knife, as shown and described.

DESCRIPTION
FIG. 1 is a front, left side perspective view of the utility knife.
FIG. 2 is a rear, right side perspective view
FIG. 3 is a top view thereof.
FIG. 4 is a bottom view thereof.
FIG. 5 is a right side view thereof.
FIG. 6 is a left side view thereof.
FIG. 7 is a front view thereof; and,
FIG. 8 is a rear view thereof.
The broken lines in the drawings are for the purpose of illustrating unclaimed portions of the utility knife and form no part of the claimed design.
The shading lines shown in the drawings represent the approximate three-dimensional contour of the design, and are not intended to indicate surface decoration.

1 Claim, 3 Drawing Sheets



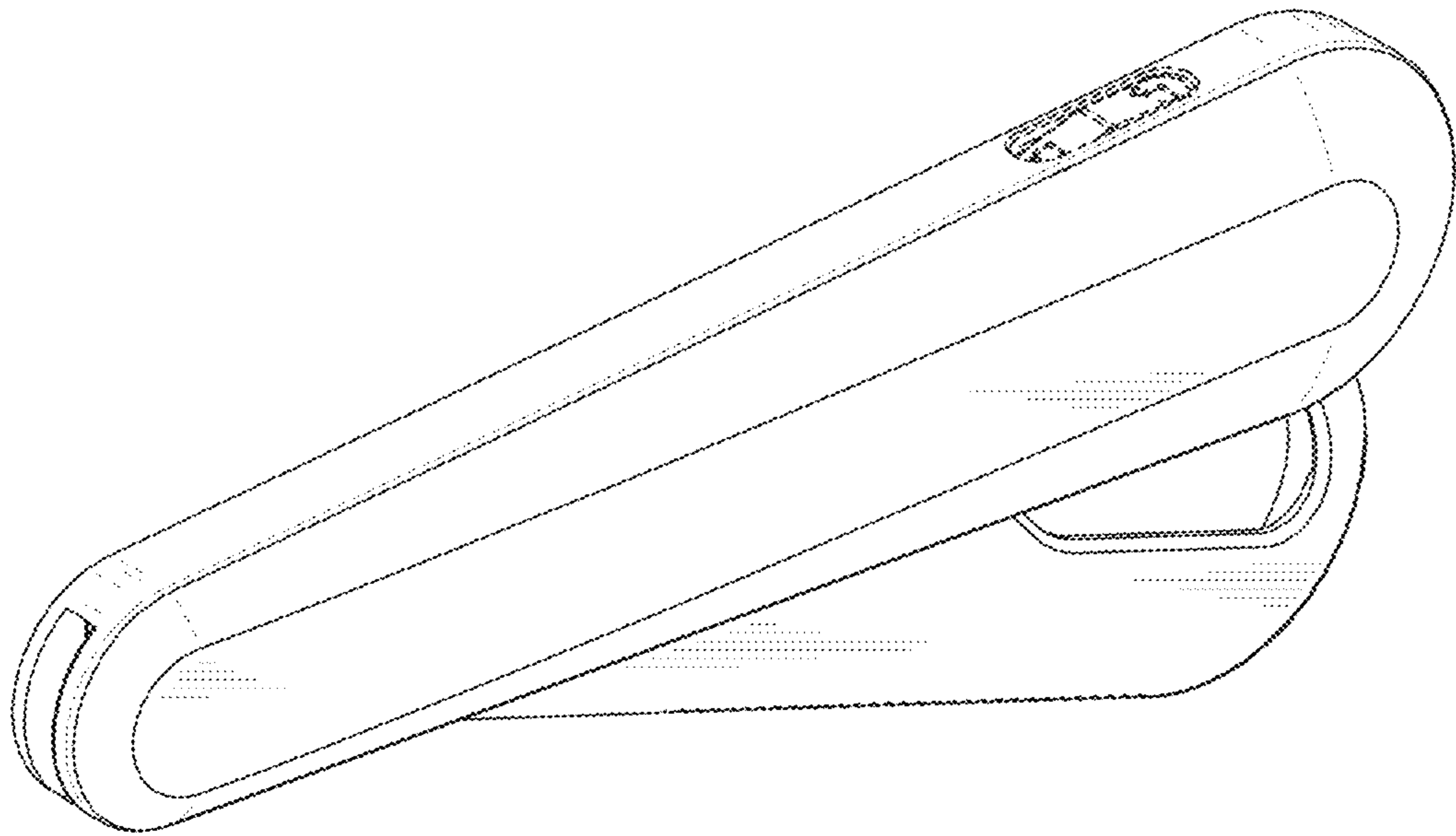


FIG. 1

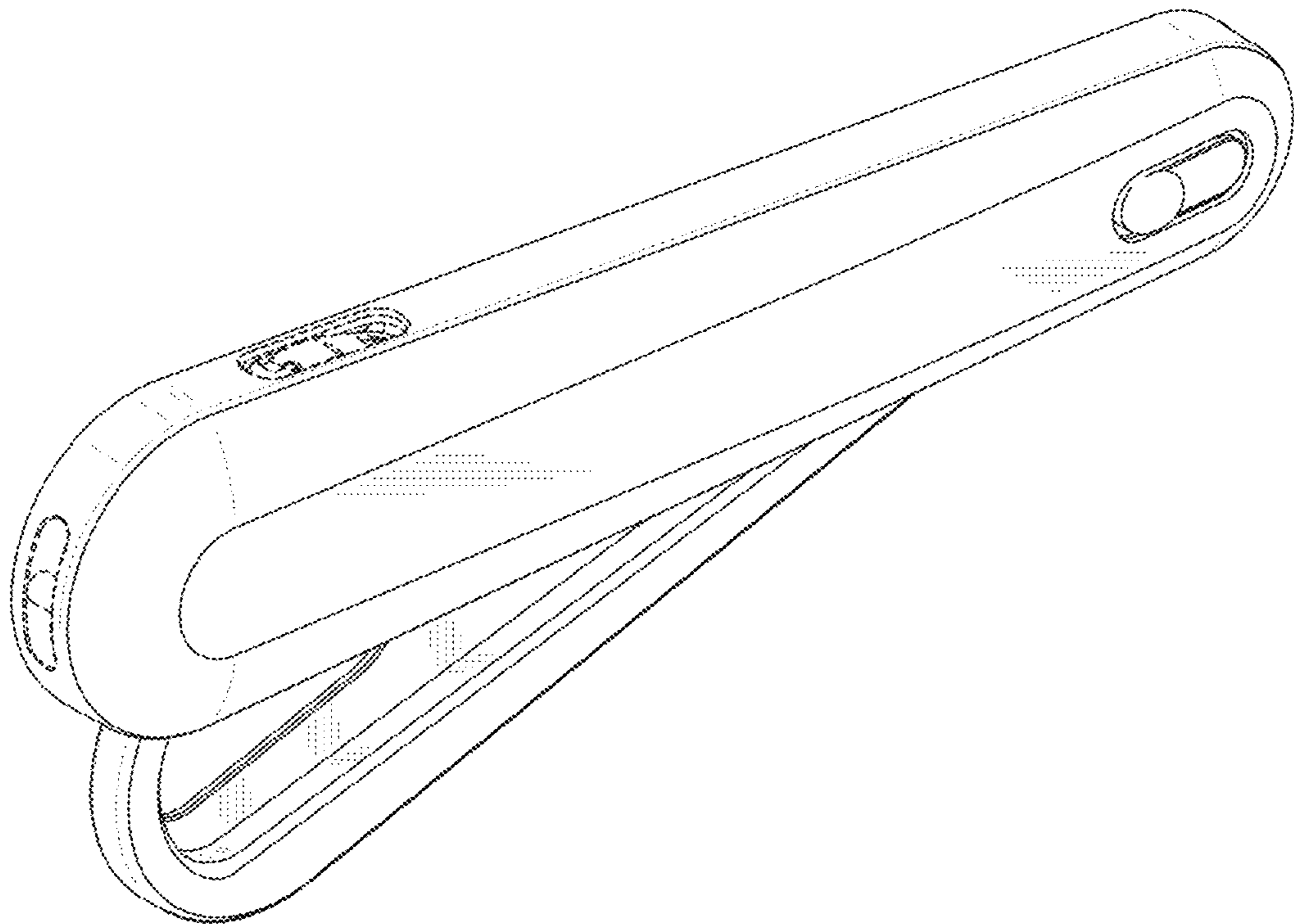


FIG. 2

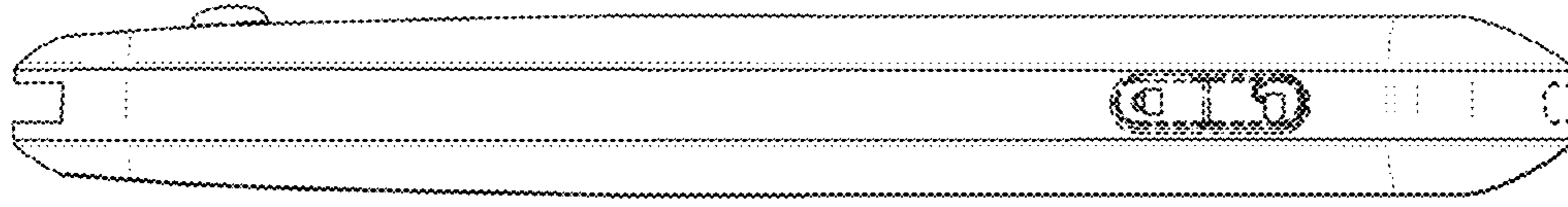


FIG. 3

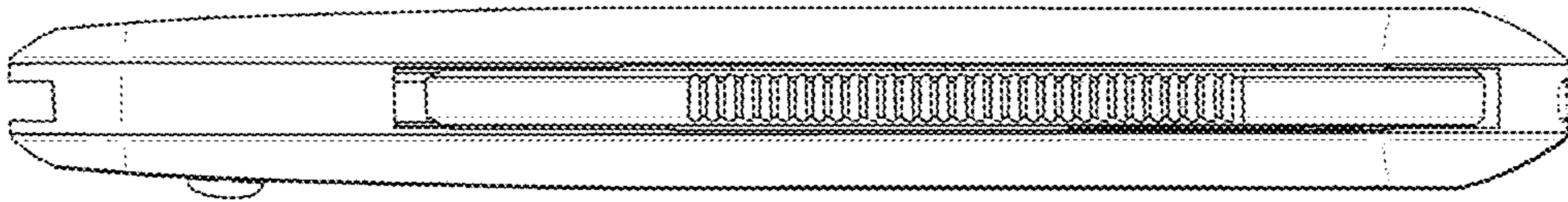


FIG. 4

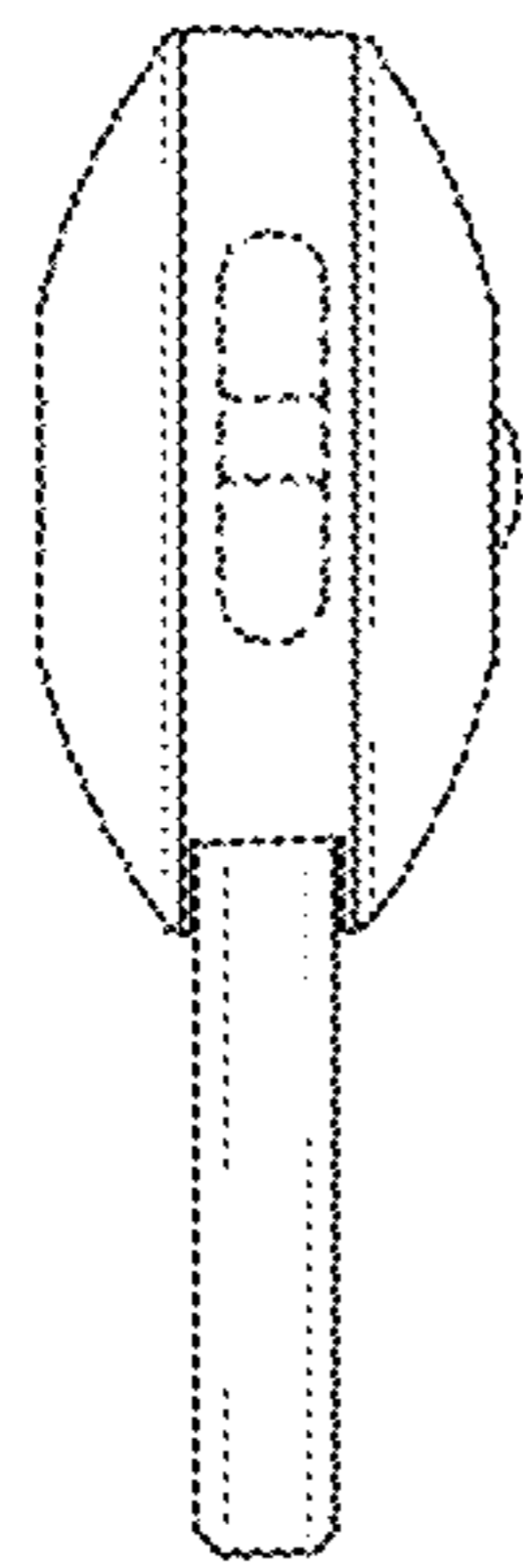


FIG. 5

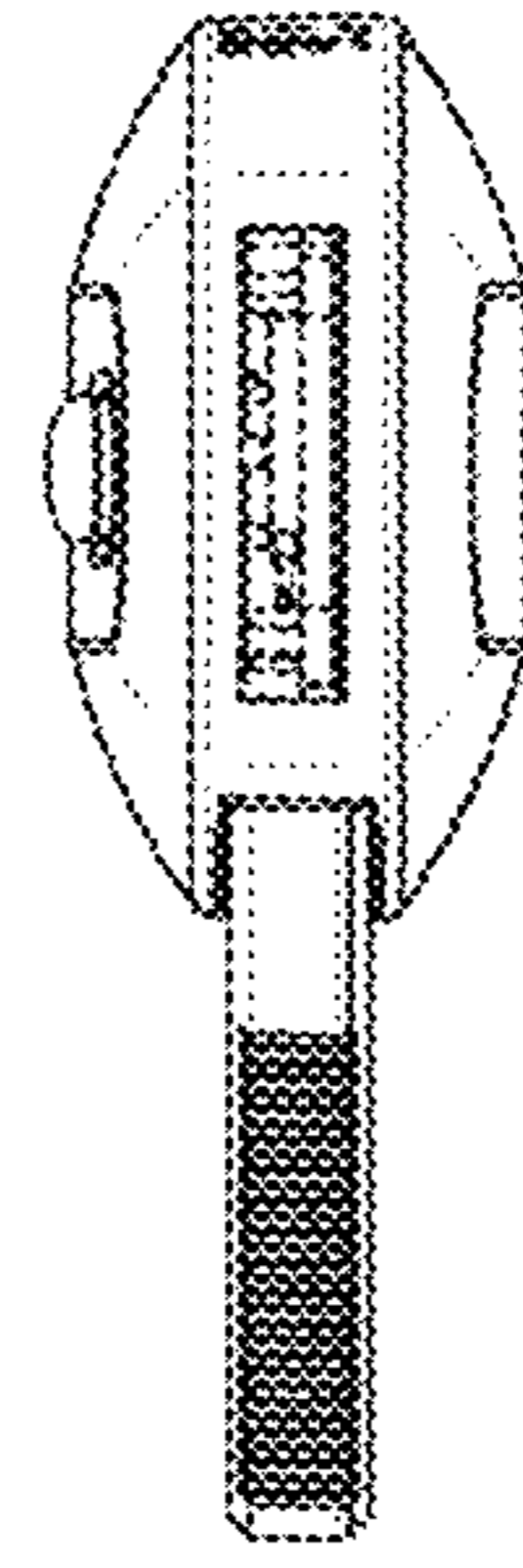


FIG. 6

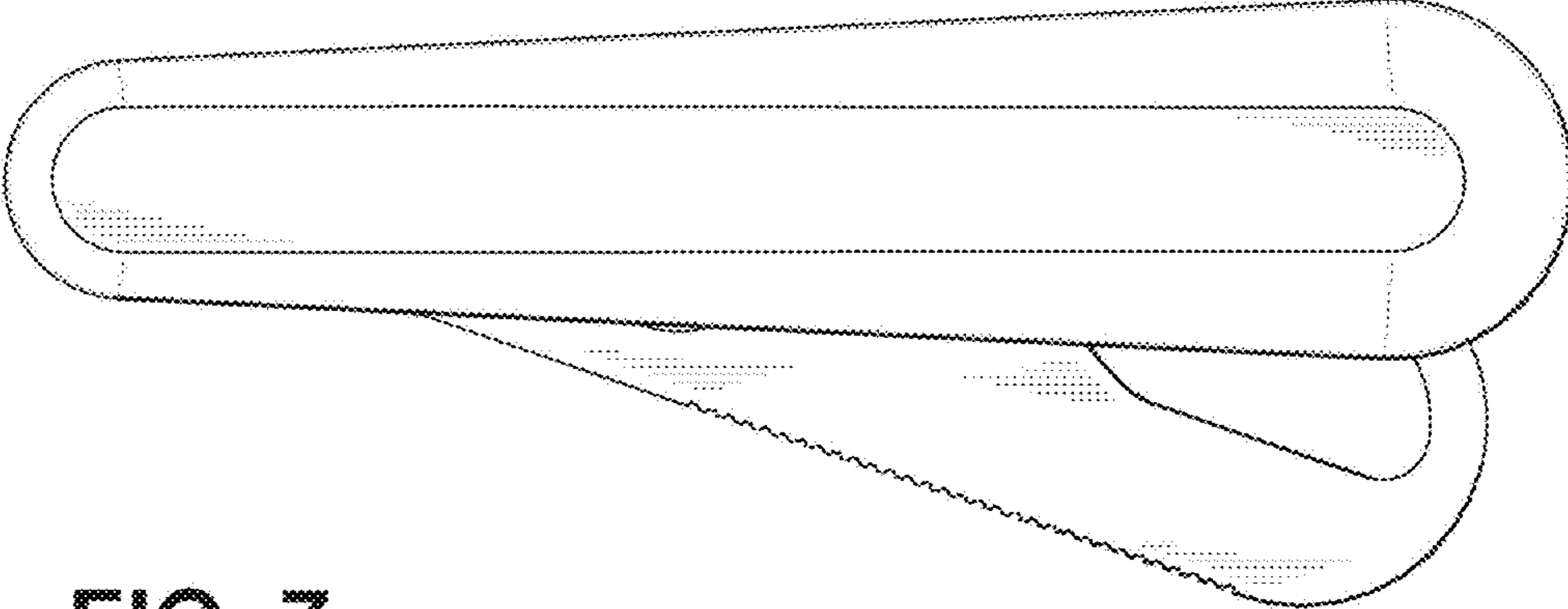


FIG. 7

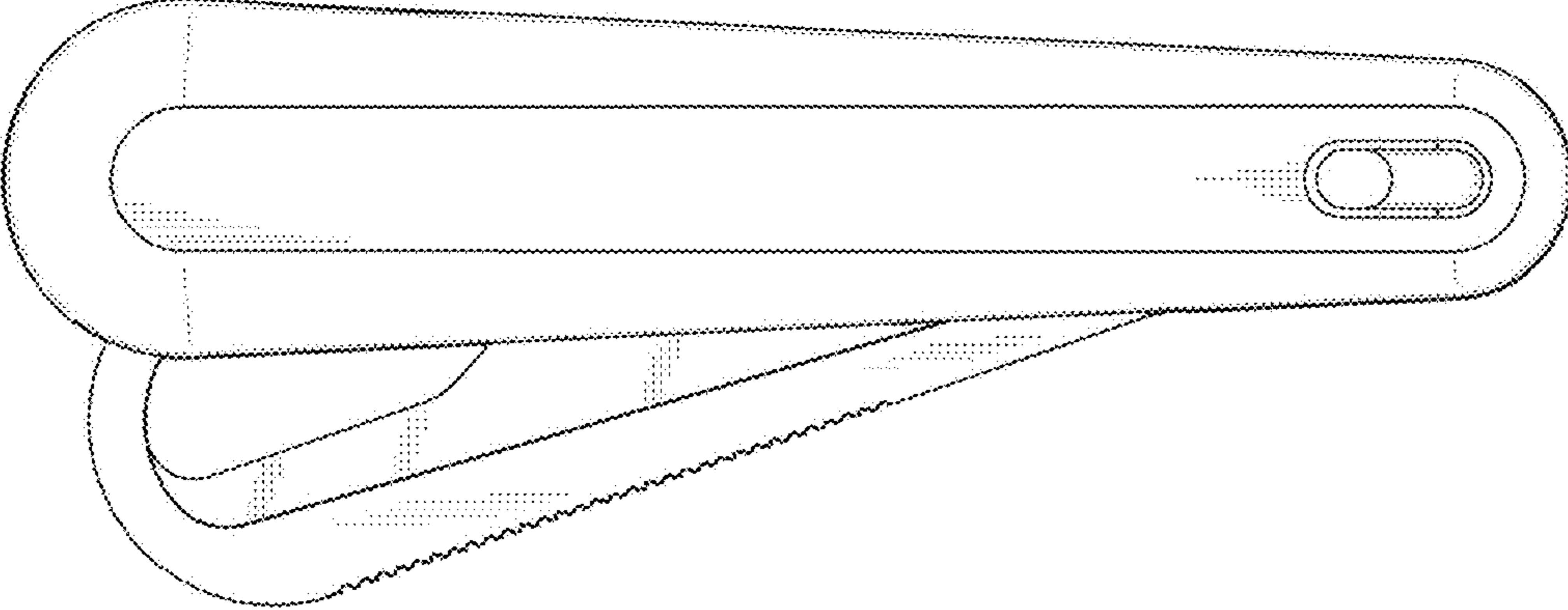


FIG. 8