



US00D983006S

(12) **United States Design Patent**
Boucard et al.

(10) **Patent No.:** **US D983,006 S**
(45) **Date of Patent:** **** Apr. 11, 2023**

- (54) **FOLDING KNIFE**
- (71) Applicant: **Tesseract Ventures, LLC**, Overland Park, KS (US)
- (72) Inventors: **John Boucard**, Overland Park, KS (US); **David Starr**, Leawood, KS (US); **Jeffrey Chiu**, Oswego, IL (US); **Greg Loret**, Kansas City, MO (US); **Spencer Cook**, Lenexa, KS (US)
- (73) Assignee: **Tesseract Ventures, LLC**, Overland Park, KS (US)
- (**) Term: **15 Years**
- (21) Appl. No.: **29/781,768**
- (22) Filed: **Apr. 30, 2021**
- (51) **LOC (14) Cl.** **08-03**
- (52) **U.S. Cl.**
USPC **D8/99**
- (58) **Field of Classification Search**
USPC D8/98, 99, 100, 105, 88, 89; D22/118; D32/46
CPC B26B 1/00; B26B 1/02; B26B 1/04; B26B 5/00; B26B 5/006; B26B 1/10; B26B 1/046
See application file for complete search history.

- D697,780 S * 1/2014 Pelton B26B 11/006 D8/99
- D740,641 S * 10/2015 Pelton B26B 11/006 D8/99
- D768,458 S * 10/2016 Mingyi B26B 1/00 D8/99
- D801,775 S * 11/2017 Tsujimoto B26B 1/044 D8/99
- D848,812 S * 5/2019 Bloch D8/99
- D889,238 S * 7/2020 Marfione B26B 1/02 D8/99
- D919,401 S * 5/2021 Clinton B26B 1/044 D8/99
- 2019/0061181 A1 * 2/2019 France B26B 1/048
- 2020/0189127 A1 * 6/2020 Mayberry B26B 1/044
- 2022/0079327 A1 * 3/2022 Bruhns B26B 1/02

* cited by examiner

Primary Examiner — Philip S Hyder
(74) *Attorney, Agent, or Firm* — Polsinelli PC

(57) **CLAIM**

We claim the ornamental design for a folding knife, as shown and described.

DESCRIPTION

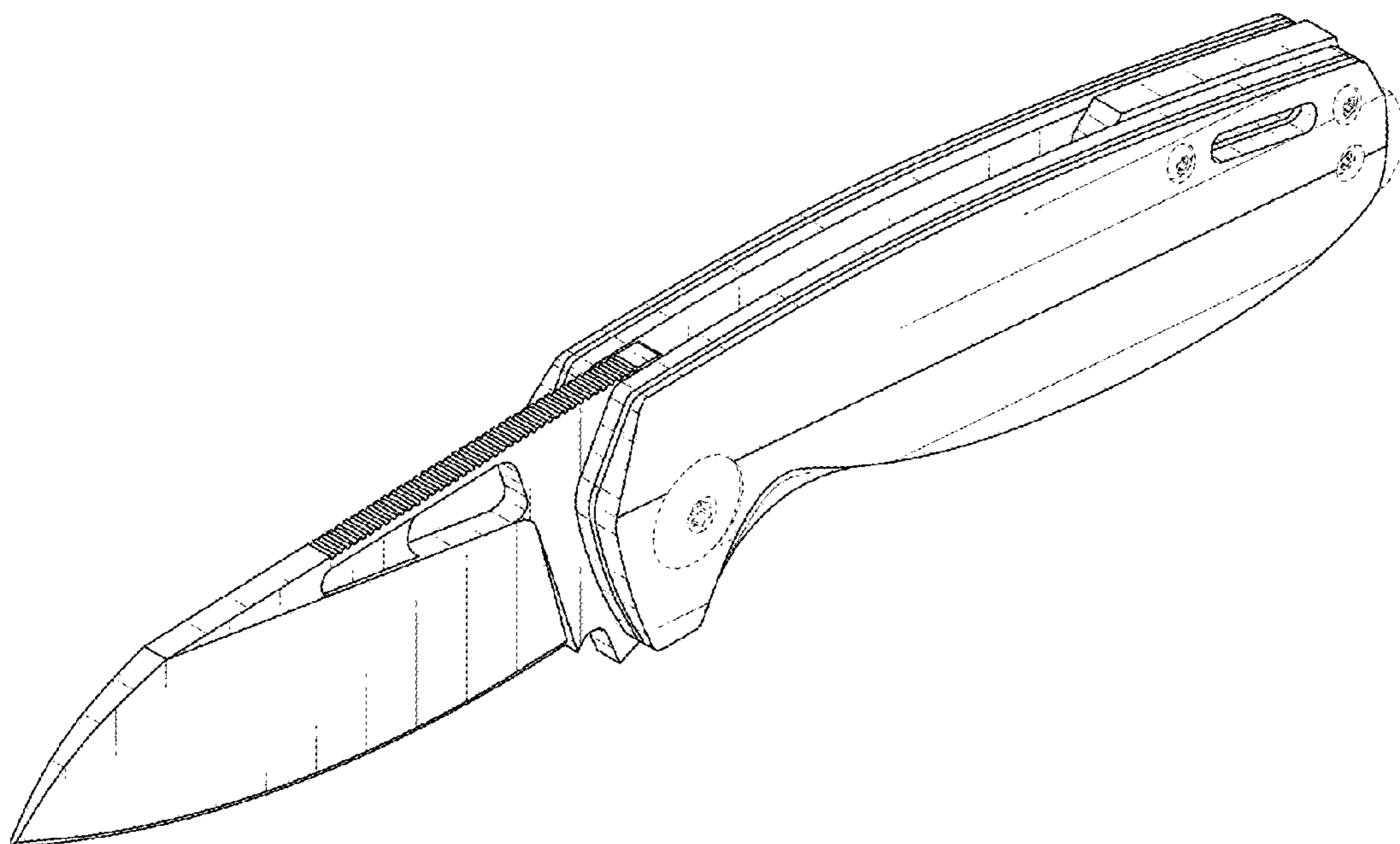
FIG. 1 is a perspective view of a folding knife, showing our new design;
FIG. 2 is a front elevational view thereof;
FIG. 3 is a rear elevational view thereof;
FIG. 4 is a left side elevational view thereof;
FIG. 5 is a right side elevational view thereof;
FIG. 6 is a top plan view thereof; and,
FIG. 7 is a bottom plan view thereof.
The broken lines in the drawings depict portions of the folding knife that form no part of the claimed design.

1 Claim, 4 Drawing Sheets

(56) **References Cited**

U.S. PATENT DOCUMENTS

- 5,755,035 A * 5/1998 Weatherly B26B 1/044 30/160
- D567,055 S * 4/2008 Renzi D8/99
- D593,838 S * 6/2009 Williams D8/99
- D677,551 S * 3/2013 Pelton B26B 1/00 D8/99



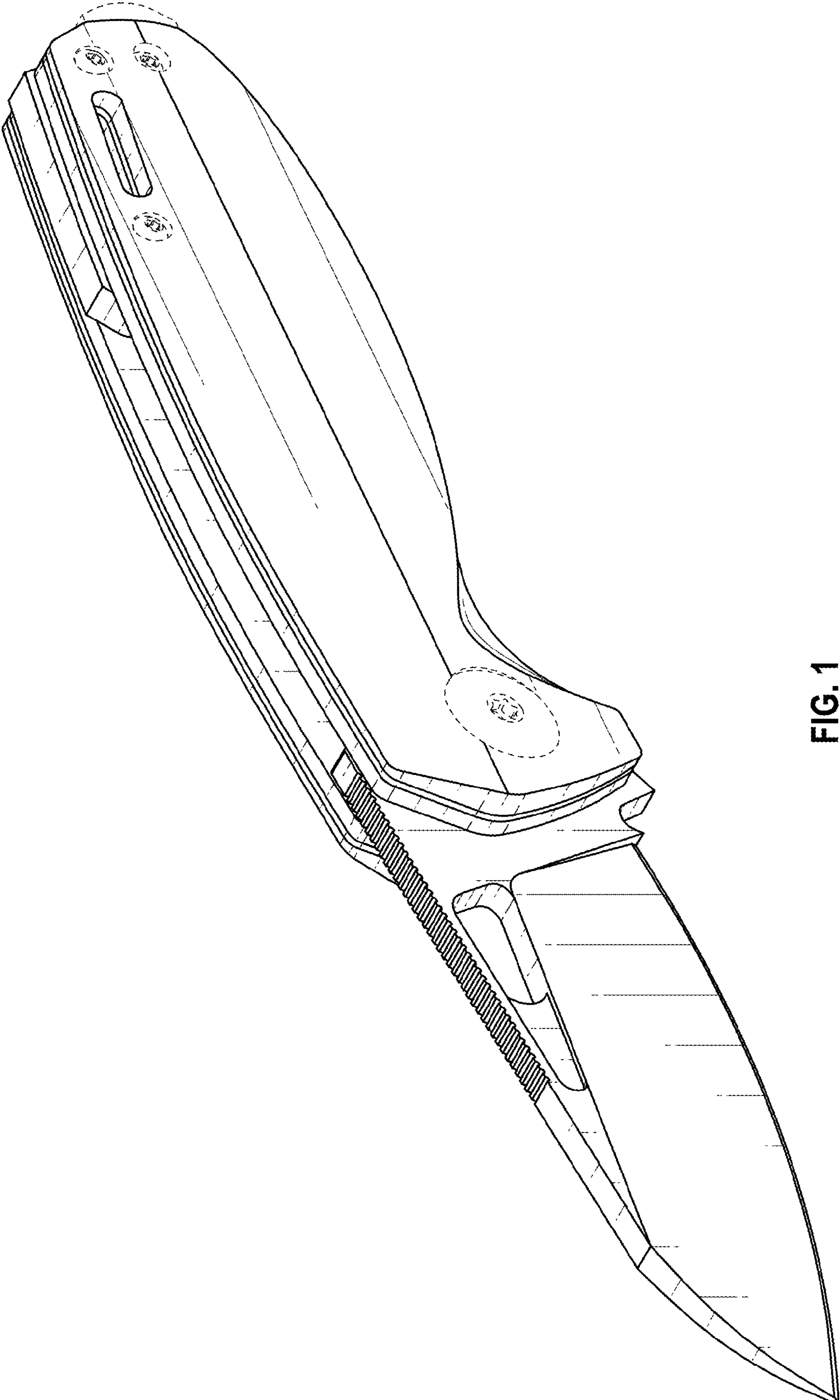


FIG. 1

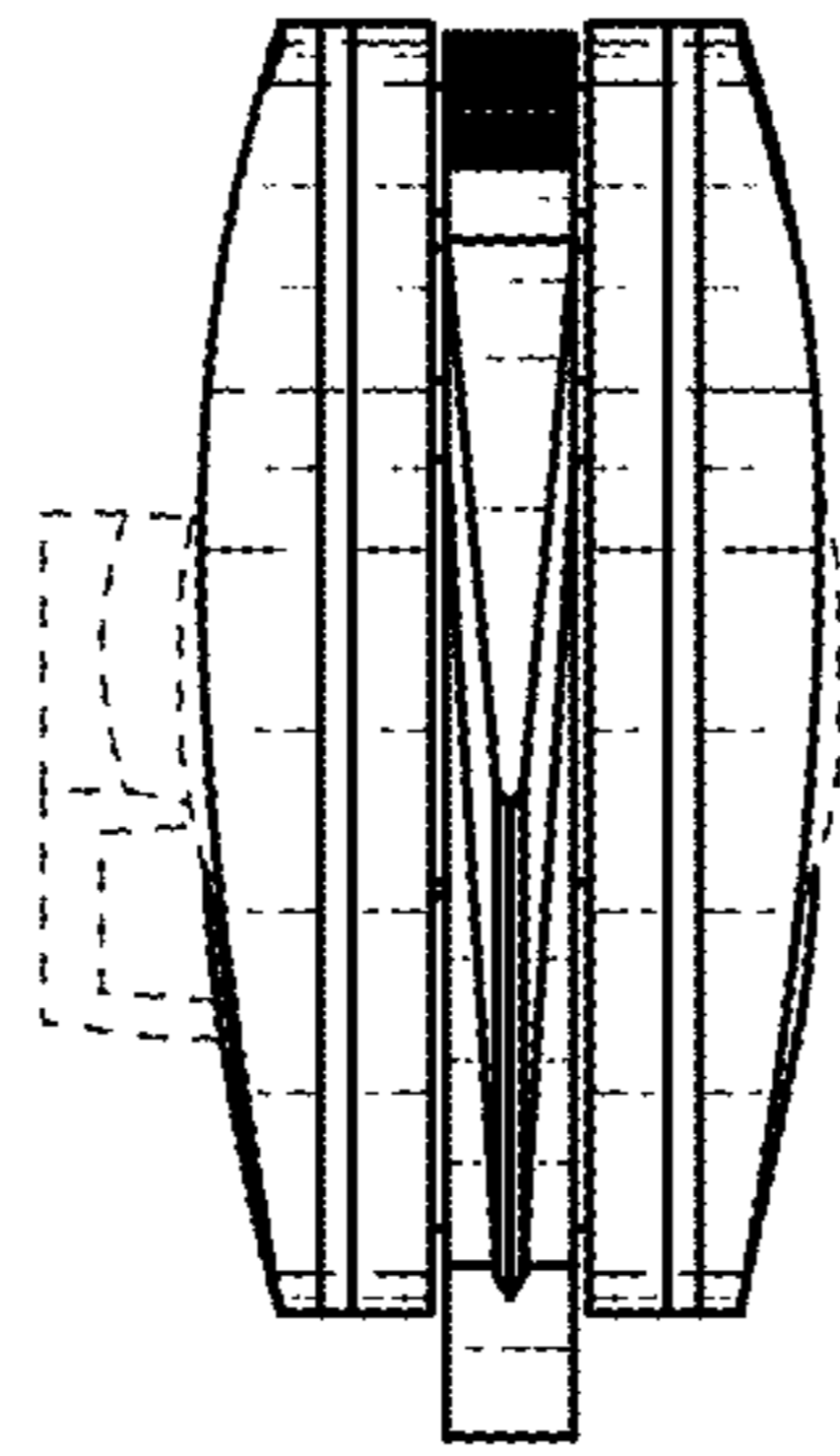


FIG. 2

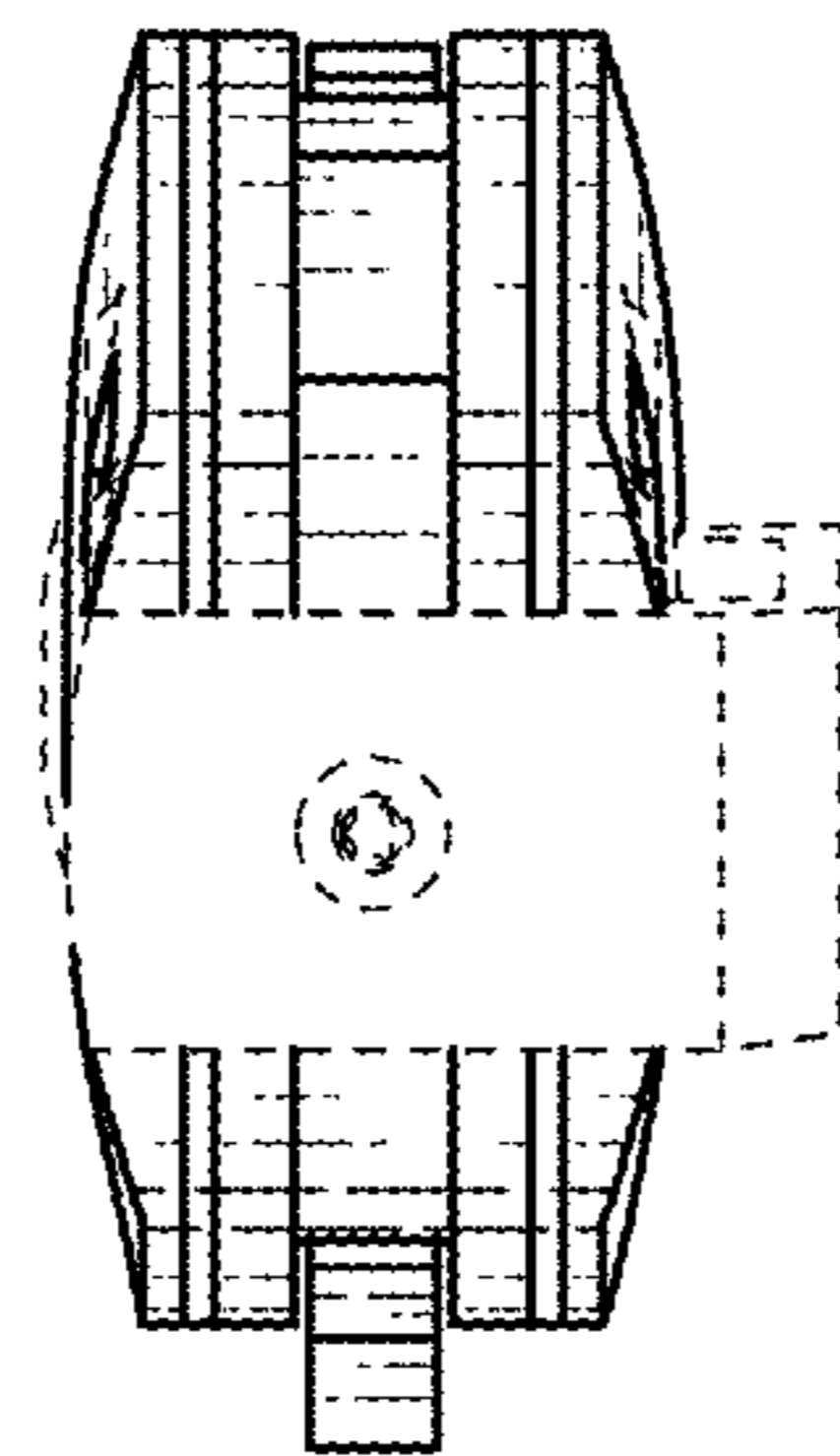


FIG. 3

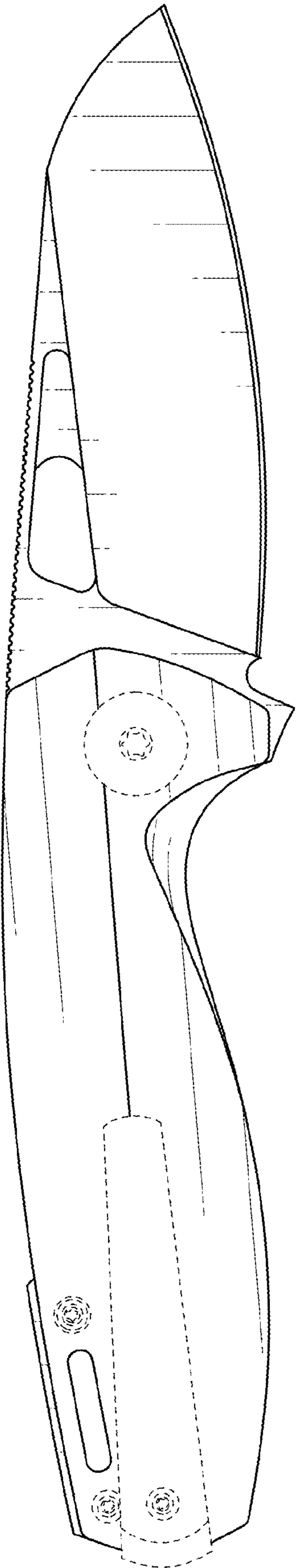


FIG. 4

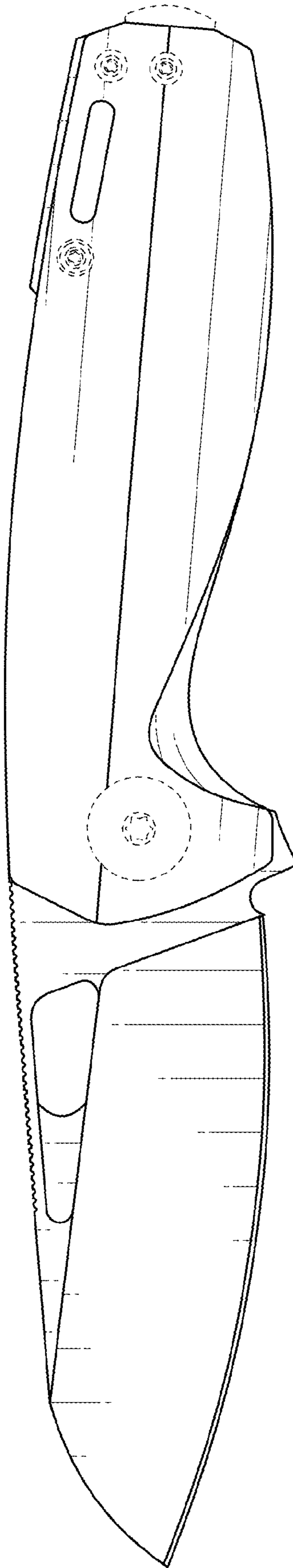


FIG. 5

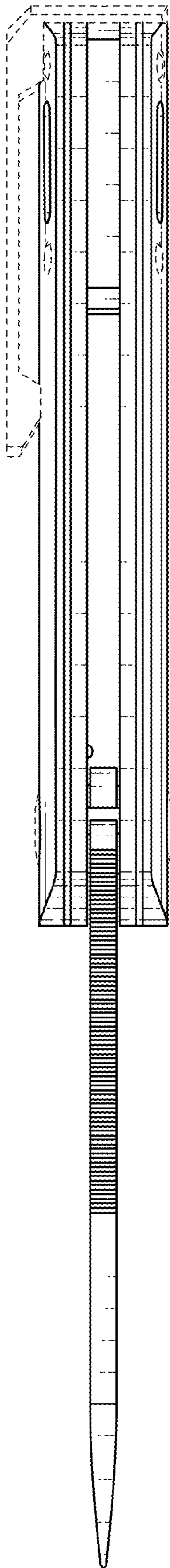


FIG. 6

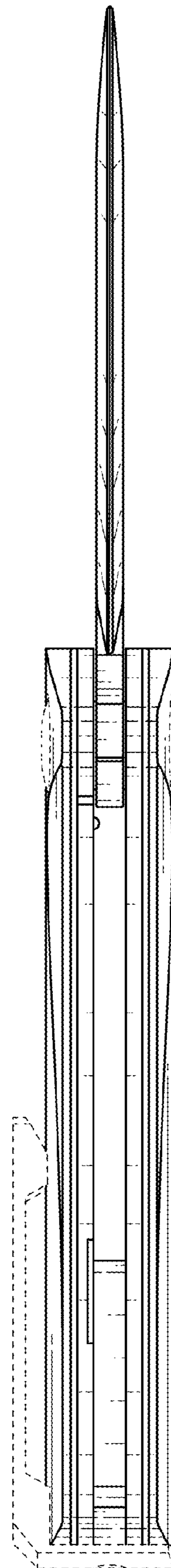


FIG. 7