



US00D983005S

(12) **United States Design Patent**
Boucard et al.

(10) **Patent No.:** **US D983,005 S**
(45) **Date of Patent:** **** Apr. 11, 2023**

- (54) **FOLDING KNIFE**
- (71) Applicant: **Tesseract Ventures, LLC**, Overland Park, KS (US)
- (72) Inventors: **John Boucard**, Overland Park, KS (US); **David Starr**, Leawood, KS (US); **Jeffrey Chiu**, Oswego, IL (US); **Greg Loret**, Kansas City, MO (US); **Spencer Cook**, Lenexa, KS (US)
- (73) Assignee: **Tesseract Ventures, LLC**, Overland Park, KS (US)

D523,317 S * 6/2006 Ryan B26B 11/006 D8/99
 8,464,382 B2 * 6/2013 Chu B26B 11/006 7/161
 D841,426 S * 2/2019 Goldstein D8/99
 D925,324 S * 7/2021 Hangartner B26B 1/042 D8/99
 2012/0204353 A1 * 8/2012 Chu B26B 1/042 7/118
 2019/0143544 A1 * 5/2019 Cecchini B26B 1/02 30/155
 2019/0160696 A1 * 5/2019 Keng B26B 1/02
 2019/0329430 A1 * 10/2019 Billado, Jr. B26B 1/02
 2020/0189127 A1 * 6/2020 Mayberry B26B 1/044

* cited by examiner

(**) Term: **15 Years**

(21) Appl. No.: **29/781,727**

(22) Filed: **Apr. 30, 2021**

(51) **LOC (14) Cl.** **08-03**

(52) **U.S. Cl.**
USPC **D8/99**

(58) **Field of Classification Search**
 USPC D8/98, 99, 100, 105, 88, 89; D22/118; D32/46
 CPC B26B 1/00; B26B 1/02; B26B 1/04; B26B 5/00; B26B 5/006; B26B 1/10; B26B 1/046
 See application file for complete search history.

(56) **References Cited**

U.S. PATENT DOCUMENTS

D303,210 S * 9/1989 Thompson D8/99
 D411,790 S * 7/1999 Glesser D8/99
 D435,421 S * 12/2000 Strider D8/99

Primary Examiner — Philip S Hyder

(74) *Attorney, Agent, or Firm* — Polsinelli PC

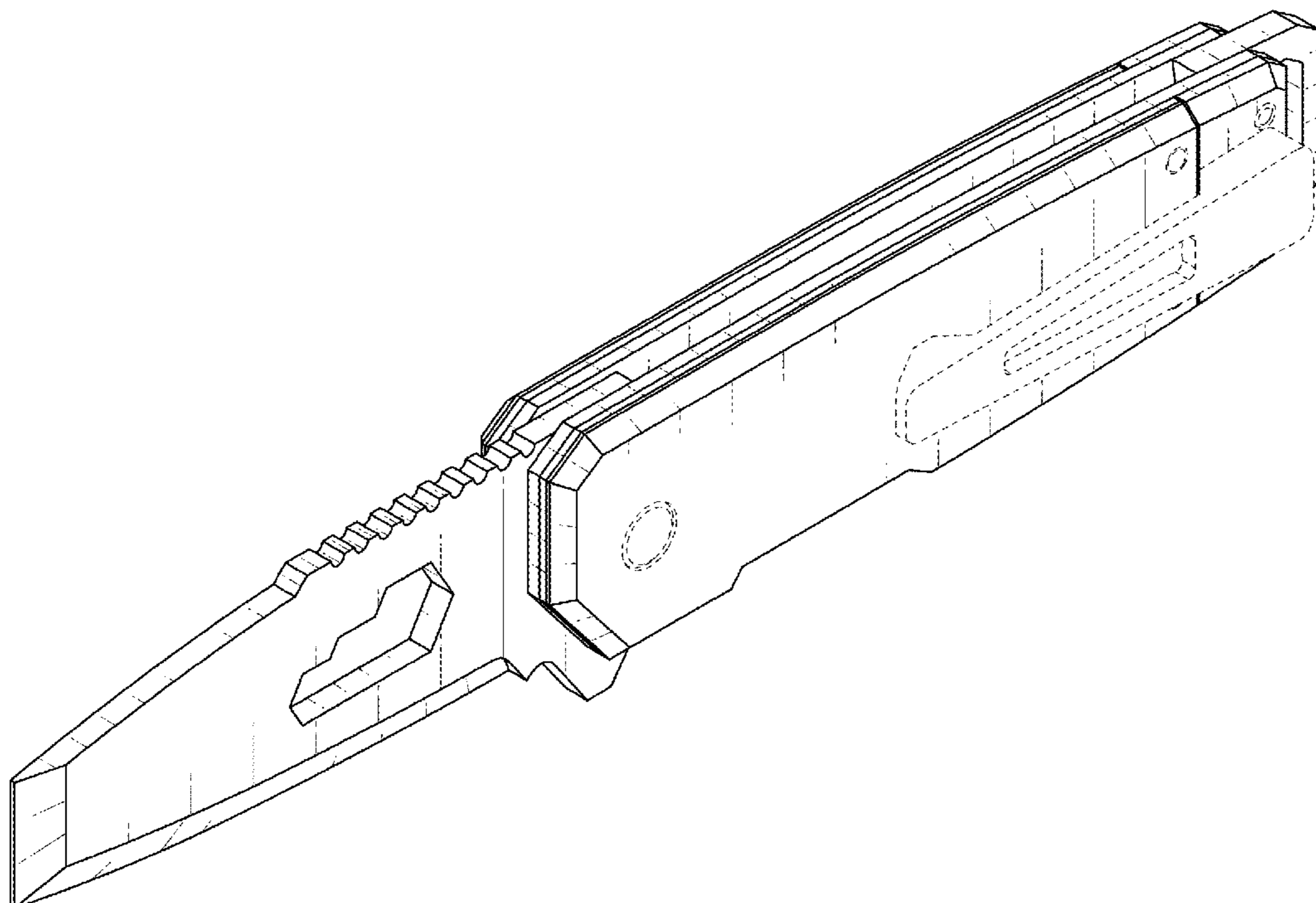
(57) **CLAIM**

We claim the ornamental design for a folding knife, as shown and described.

DESCRIPTION

FIG. 1 is a perspective view of a folding knife, showing our new design;
 FIG. 2 is a front elevational view thereof;
 FIG. 3 is a rear elevational view thereof;
 FIG. 4 is a left side elevational view thereof;
 FIG. 5 is a right side elevational view thereof;
 FIG. 6 is a top plan view thereof; and,
 FIG. 7 is a bottom plan view thereof.
 The broken lines in the drawings depict portions of the folding knife that form no part of the claimed design.

1 Claim, 4 Drawing Sheets



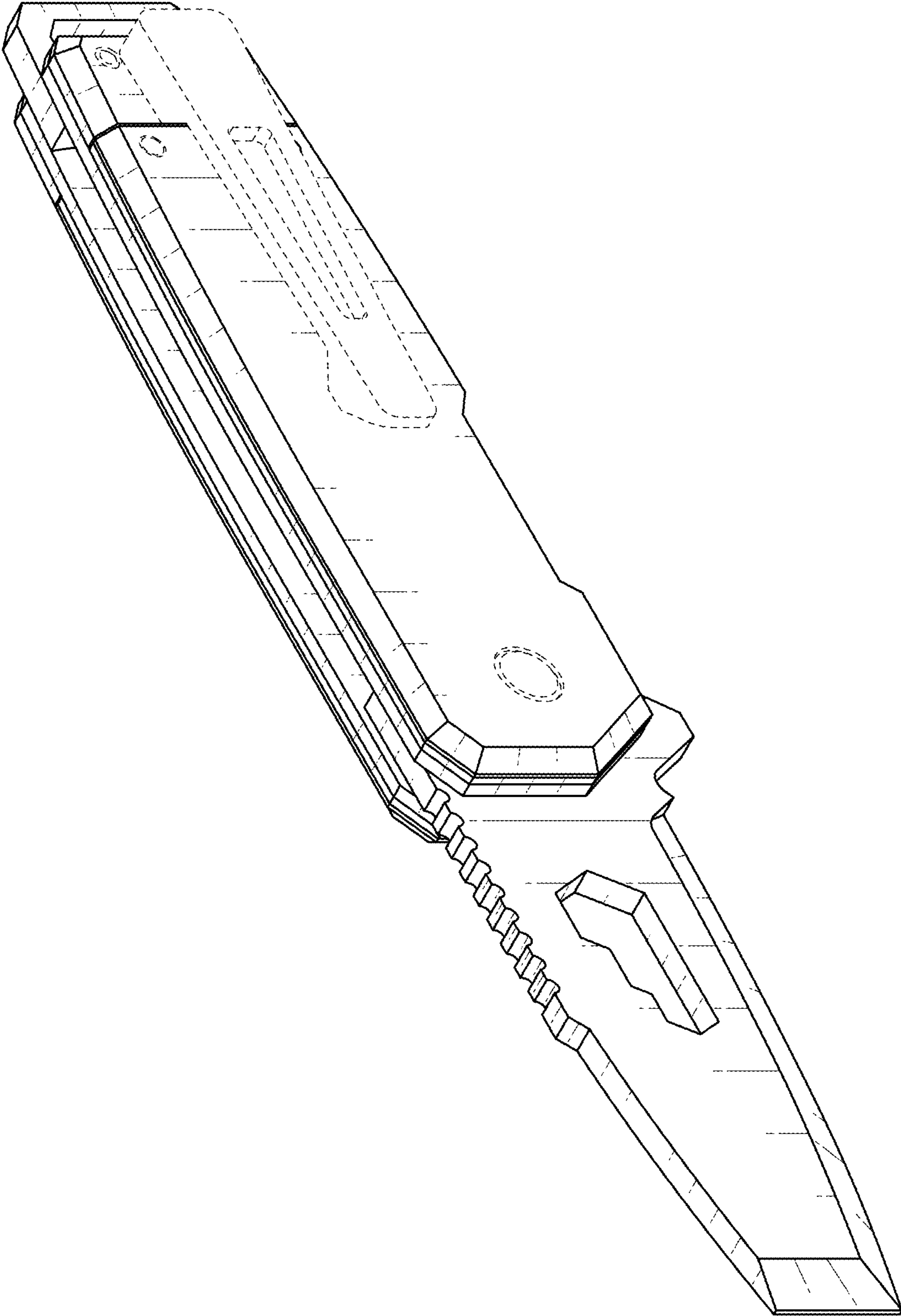


FIG. 1

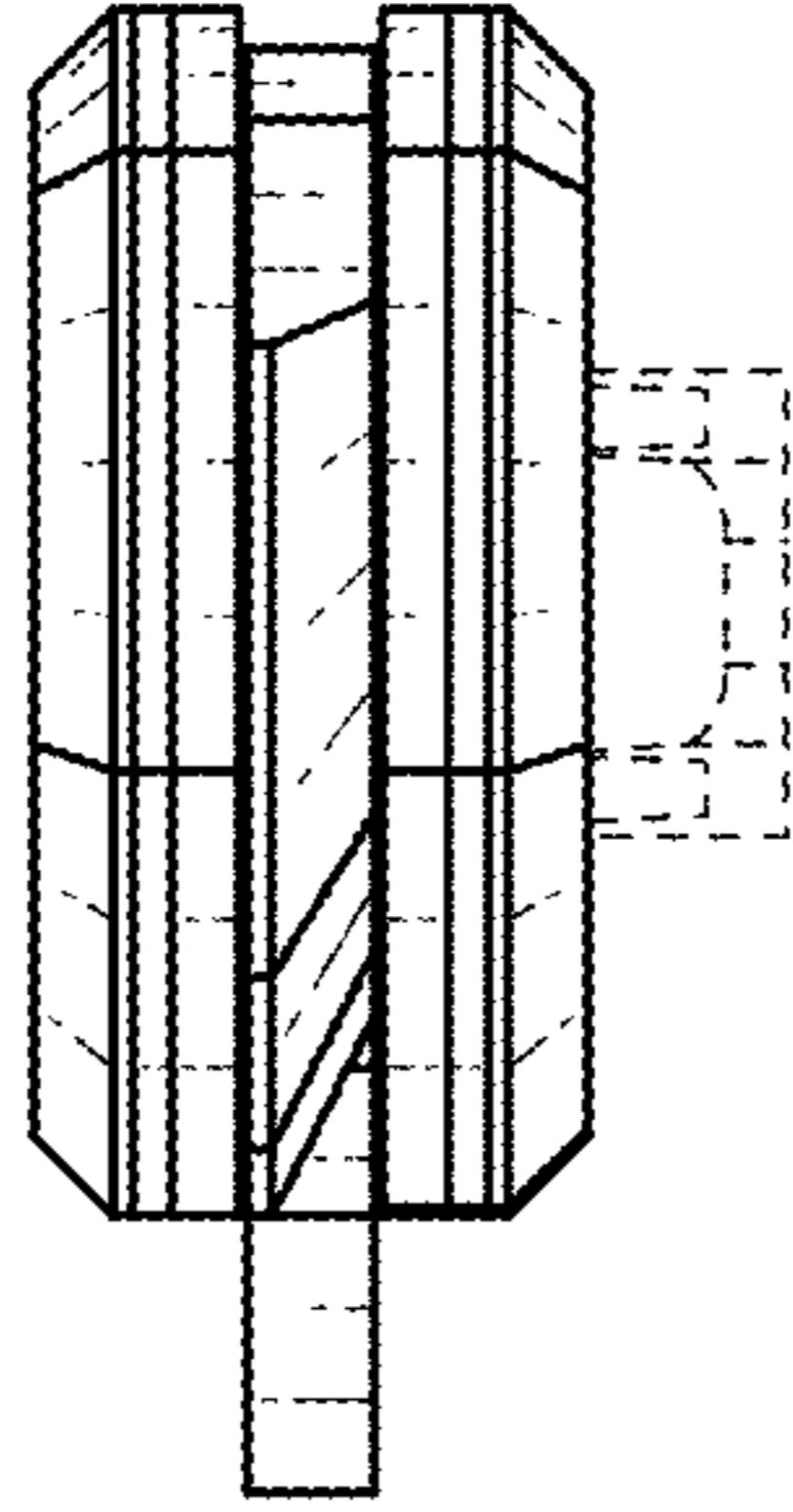


FIG. 2

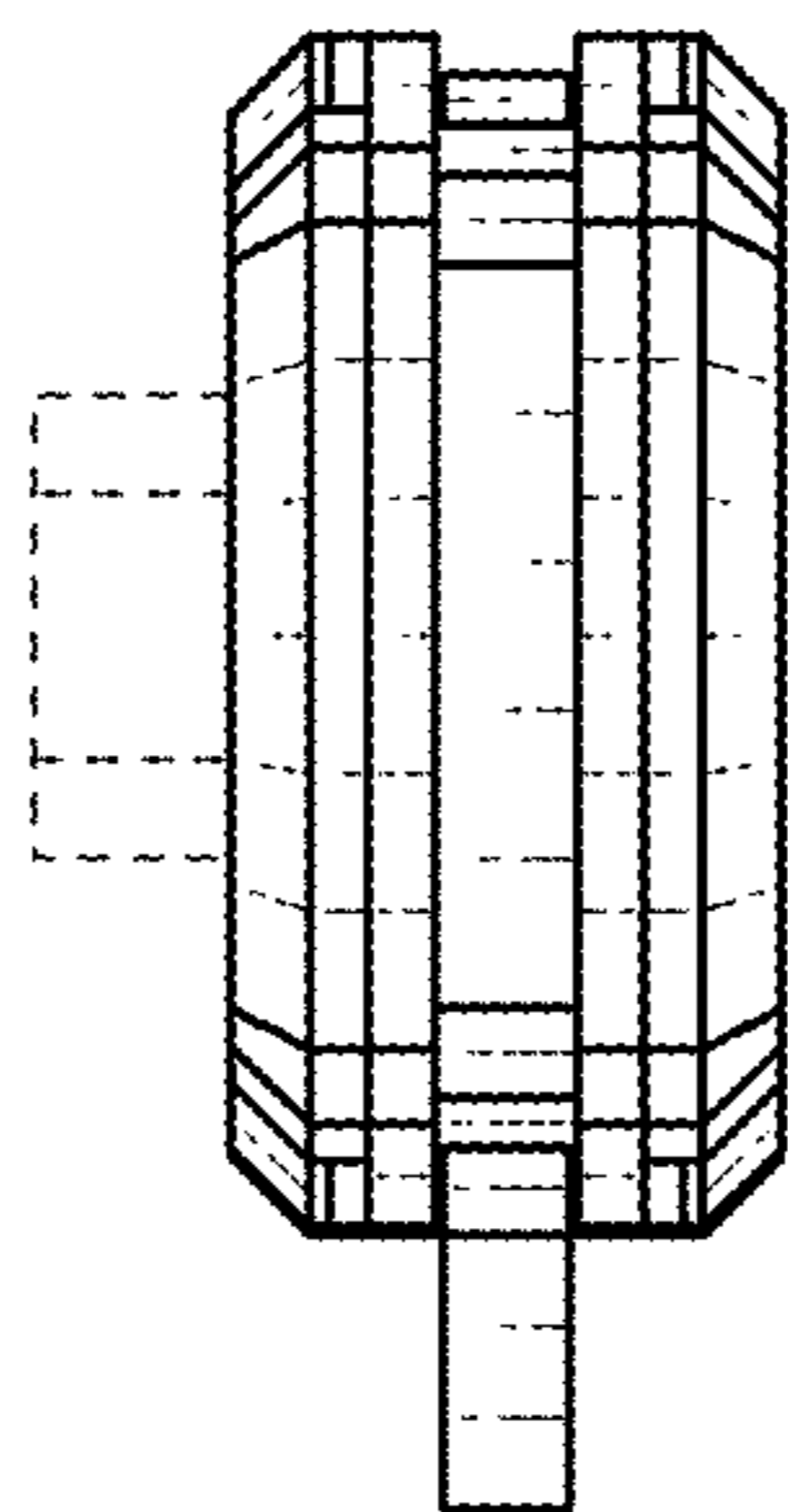


FIG. 3

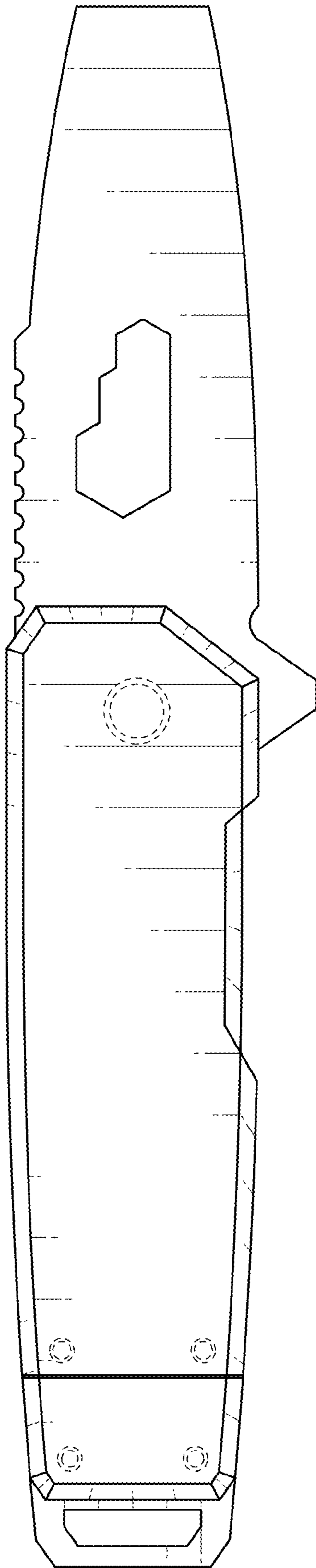


FIG. 4

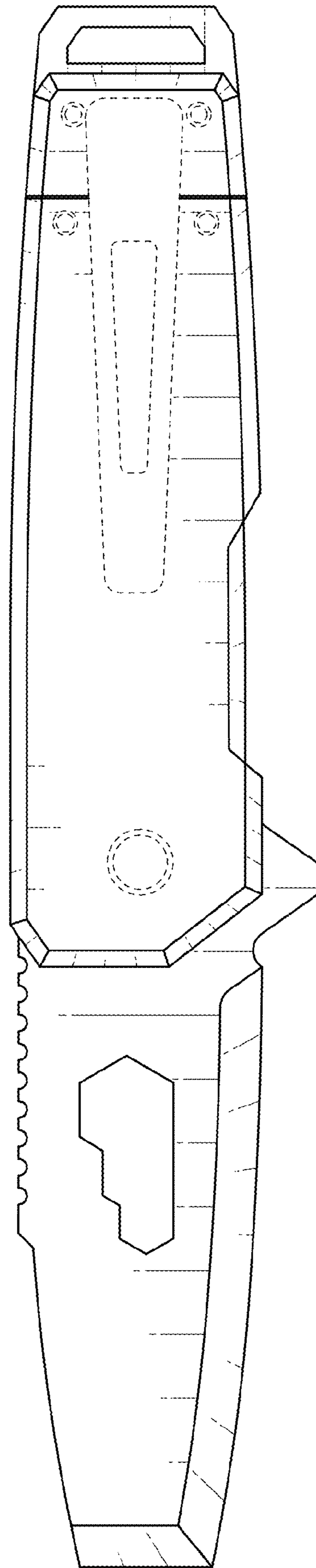


FIG. 5

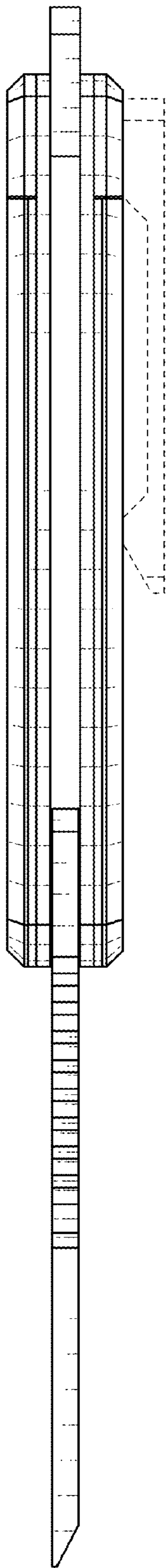


FIG. 6

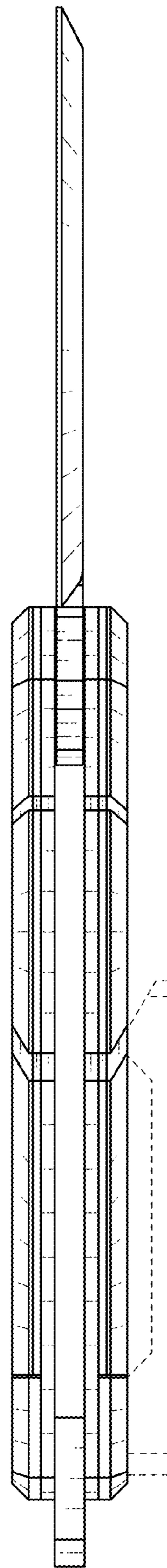


FIG. 7