



US00D983004S

(12) **United States Design Patent**  
**Herbst**

(10) **Patent No.:** **US D983,004 S**

(45) **Date of Patent:** **\*\* Apr. 11, 2023**

- (54) **SLIM PEN CUTTER**
- (71) Applicant: **Slice, Inc.**, San Jose, CA (US)
- (72) Inventor: **Scot Herbst**, Santa Cruz, CA (US)
- (73) Assignee: **Slice, Inc.**, Sunny Isles, FL (US)
- (\*\*) Term: **15 Years**
- (21) Appl. No.: **29/781,320**
- (22) Filed: **Apr. 29, 2021**
- (51) **LOC (14) Cl.** ..... **08-03**
- (52) **U.S. Cl.**  
USPC ..... **D8/99**
- (58) **Field of Classification Search**  
USPC ..... D8/98, 99, 107, 14, 20; D22/118  
CPC ..... B26B 5/001; B26B 5/003; B26B 11/00;  
B26B 1/08; B26B 1/02; B26B 1/10;  
B26B 1/04; B26B 1/046; B26B 1/048;  
B26B 1/042  
See application file for complete search history.

- D528,896 S \* 9/2006 Chong ..... D8/99
- D549,068 S \* 8/2007 Groten ..... D8/99
- D636,249 S \* 4/2011 Manchen ..... D8/99
- D742,198 S \* 11/2015 Kugimiya ..... D8/99
- D745,358 S \* 12/2015 Kugimiya ..... B26B 1/08  
D8/99
- 2014/0173912 A1\* 6/2014 Scimone ..... B26B 1/00  
30/162
- 2021/0252723 A1\* 8/2021 Gallegos ..... B26B 5/003
- 2022/0347869 A1\* 11/2022 Gallegos ..... B26B 1/08
- 2022/0347870 A1\* 11/2022 Gallegos ..... B26B 1/08

\* cited by examiner

*Primary Examiner* — Philip S Hyder

(74) *Attorney, Agent, or Firm* — Ellenoff Grossman & Schole LLP; James M. Smedley; Alex Korona

(57) **CLAIM**

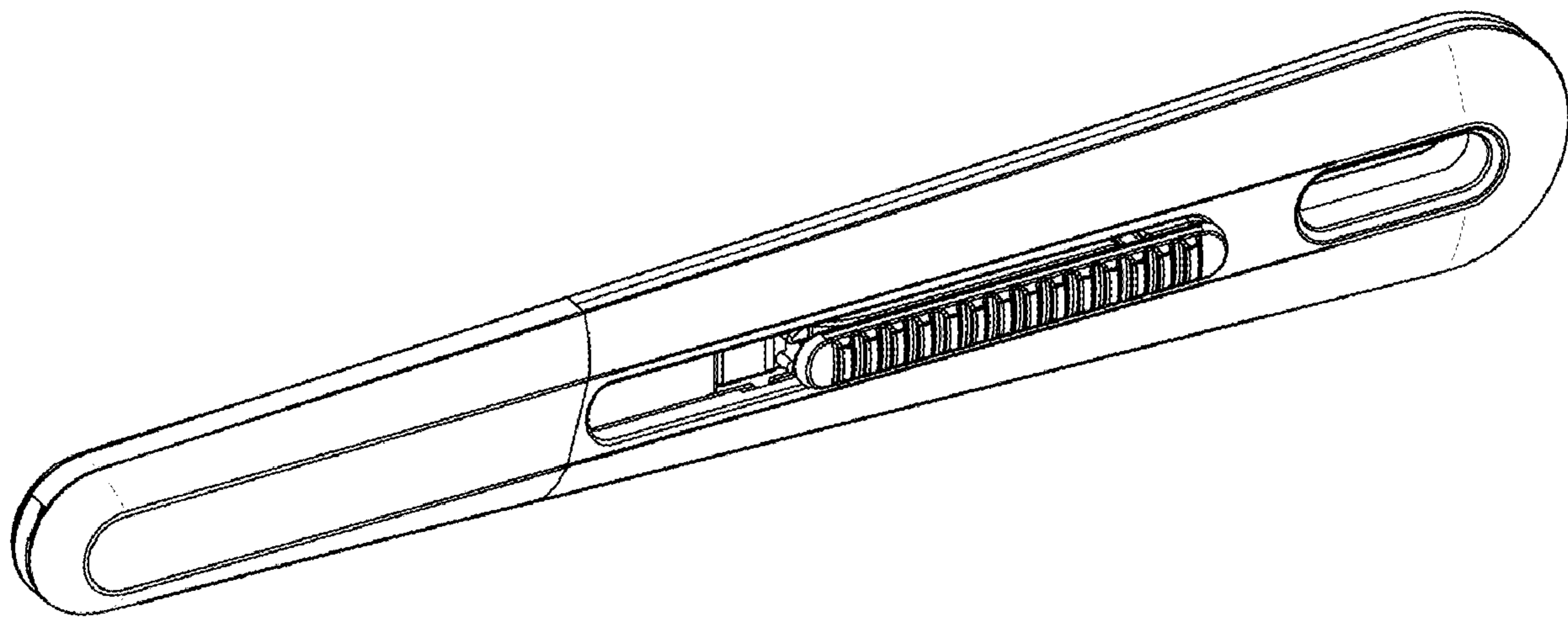
I claim the ornamental design for a slim pen cutter, as shown and described.

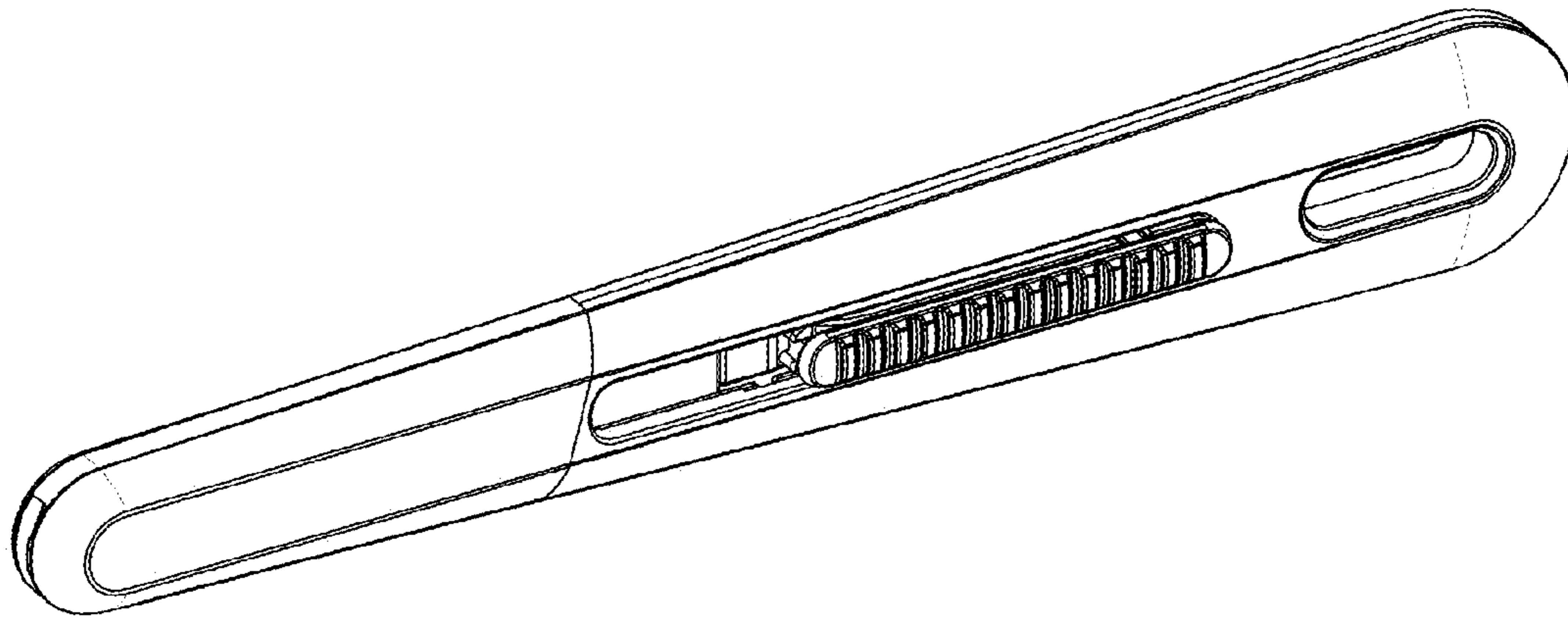
**DESCRIPTION**

FIG. 1 is a front, left side perspective view of the slim pen cutter.  
 FIG. 2 is a left side view of the slim pen cutter.  
 FIG. 3 is a right side view of the slim pen cutter.  
 FIG. 4 is a top view of the slim pen cutter.  
 FIG. 5 is a bottom view of the slim pen cutter.  
 FIG. 6 is a rear view of the slim pen cutter; and,  
 FIG. 7 is a front view of the slim pen cutter.  
 The shading lines shown in the drawings represent the approximate three-dimensional contour of the design, and are not intended to indicate surface decoration.

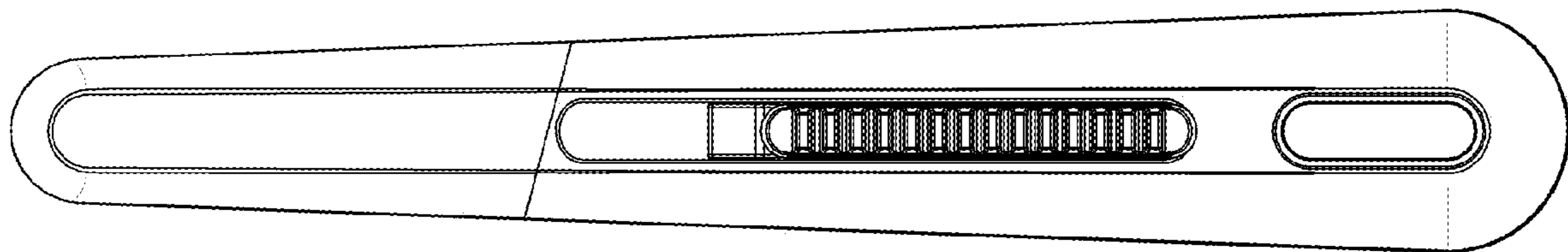
**1 Claim, 2 Drawing Sheets**

- (56) **References Cited**  
U.S. PATENT DOCUMENTS
- 3,079,686 A \* 3/1963 Christy ..... B26B 1/08  
30/162
- 4,200,977 A \* 5/1980 Kageyama ..... B26B 5/002  
30/162
- D354,900 S \* 1/1995 Hirai ..... D8/99
- D428,790 S \* 8/2000 Jacquet ..... D8/99
- D464,552 S \* 10/2002 Jacquet ..... D8/99
- D480,289 S \* 10/2003 Jacquet ..... D8/99

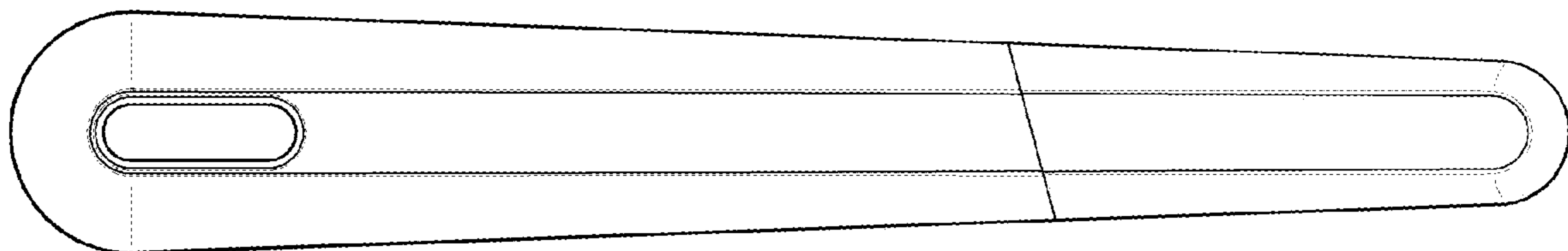




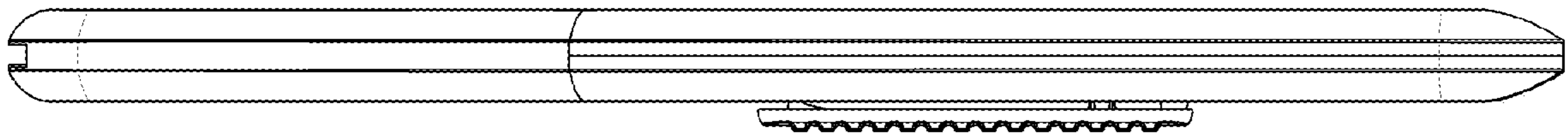
**FIG. 1**



**FIG. 2**



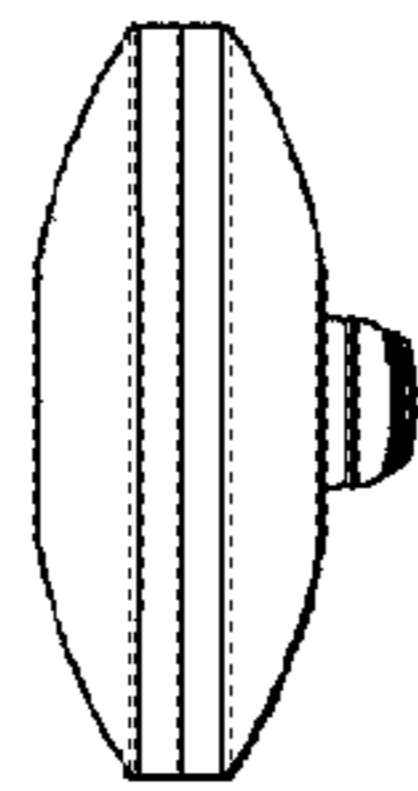
**FIG. 3**



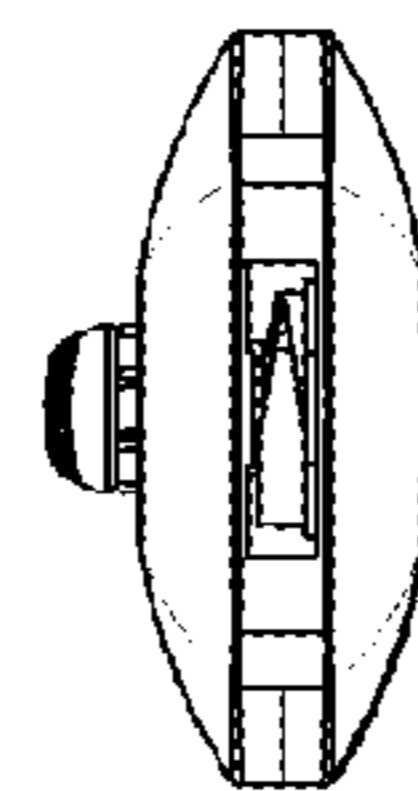
**FIG. 4**



**FIG. 5**



**FIG. 6**



**FIG. 7**