



US00D983003S

(12) **United States Design Patent** (10) **Patent No.:** **US D983,003 S**
Tissières (45) **Date of Patent:** **** Apr. 11, 2023**

- (54) **SCREW DRIVER BIT**
- (71) Applicant: **IPP industries Sàrl**, Bramois (CH)
- (72) Inventor: **Christian Tissières**, Bramois (CH)
- (73) Assignee: **IPP industries Sàrl**, Bramois (CH)
- (**) Term: **15 Years**
- (21) Appl. No.: **29/695,880**
- (22) Filed: **Jun. 24, 2019**

Related U.S. Application Data

- (62) Division of application No. 35/505,327, filed on Dec. 24, 2017 (U.S. filing date under 35 U.S.C. 384), and having an international filing date of Dec. 24, 2017, now abandoned.
- (51) **LOC (14) Cl.** **08-04**
- (52) **U.S. Cl.**
USPC **D8/86**
- (58) **Field of Classification Search**
USPC D8/14, 21, 82, 83, 84, 85, 86, 105, 387;
D15/139; D24/133
CPC B25B 15/00; B25B 15/001; B25B 15/002;
B25B 15/004; B25B 15/005; B25B
15/007; F16B 23/003; F16B 23/0053
See application file for complete search history.

(56) **References Cited**

U.S. PATENT DOCUMENTS

- 2,445,525 A * 7/1948 Gulden F16B 23/007
411/404
- 4,191,228 A * 3/1980 Fenton F16B 23/007
81/436
- D311,483 S * 10/1990 Espin D8/86
- D312,034 S * 11/1990 Espin D8/86
- 4,998,454 A * 3/1991 Chaconas B25B 15/005
81/436

- 5,291,811 A * 3/1994 Goss F16B 23/003
411/404
- D431,768 S * 10/2000 Feik D8/86
- 6,164,171 A * 12/2000 Kaneko B25B 15/005
81/436
- D455,627 S * 4/2002 Song D8/86
- D455,943 S * 4/2002 Lin D8/86
- 6,397,710 B1 * 6/2002 Baker B25B 15/005
81/436
- D474,388 S * 5/2003 Wu D8/86
- 7,111,531 B1 * 9/2006 Suzuki F16B 23/0007
81/460
- D576,009 S * 9/2008 Tanner D8/86
- D606,833 S * 12/2009 Robinson D8/86
- D606,834 S * 12/2009 Robinson D8/86
- D821,842 S * 7/2018 Hsu D8/86
- 2005/0268757 A1 * 12/2005 Walker B25B 15/005
81/460
- 2010/0037737 A1 * 2/2010 Pchola B25B 15/005
81/460
- 2010/0242687 A1 * 9/2010 Meng G09F 3/00
81/184

(Continued)

FOREIGN PATENT DOCUMENTS

- EP 2 447 550 B1 4/2018
- WO 2008/032137 A1 3/2008
- WO 2014/195410 A1 12/2014

Primary Examiner — Philip S Hyder
(74) *Attorney, Agent, or Firm* — Sughrue Mion, PLLC

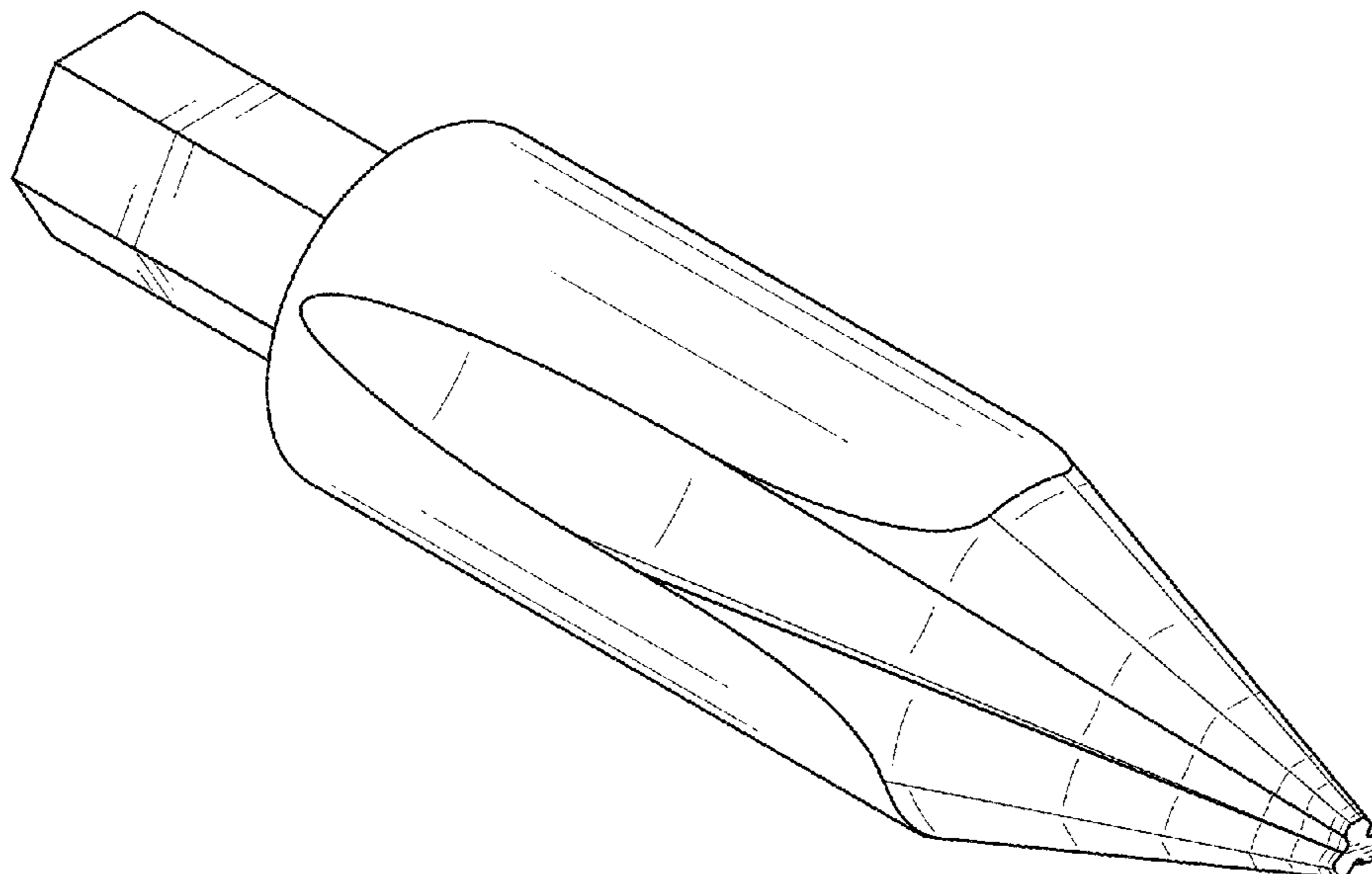
(57) **CLAIM**

The ornamental design for a screw driver bit, as shown and described.

DESCRIPTION

FIG. 1 is a perspective view of a screw driver bit, showing the new design;
FIG. 2 is a side elevation view thereof; and,
FIG. 3 is an enlarged end view of the tip.

1 Claim, 3 Drawing Sheets



(56)

References Cited

U.S. PATENT DOCUMENTS

2018/0117743 A1* 5/2018 Pinckard B25F 1/04
2018/0193986 A1* 7/2018 Tissieres F16B 23/003
2018/0347612 A1* 12/2018 Falkenstein B25B 15/005
2019/0358794 A1* 11/2019 Beckman B25B 15/001

* cited by examiner

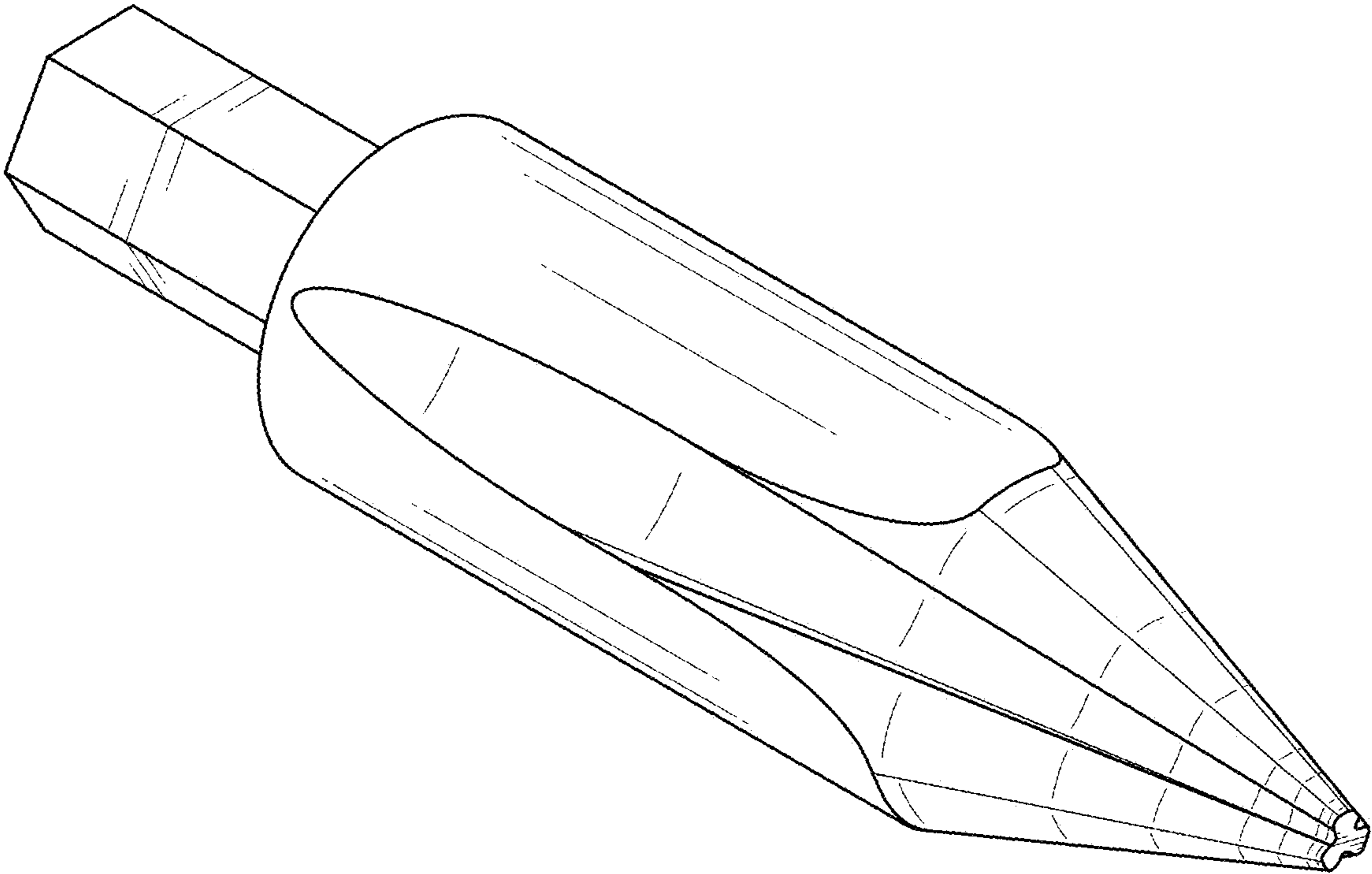


FIG. 1

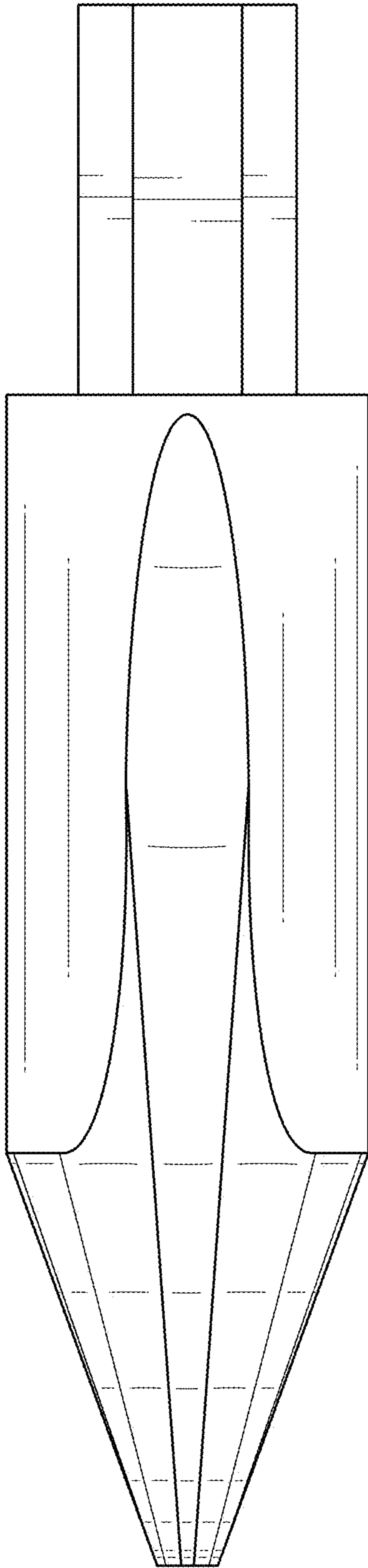


FIG. 2

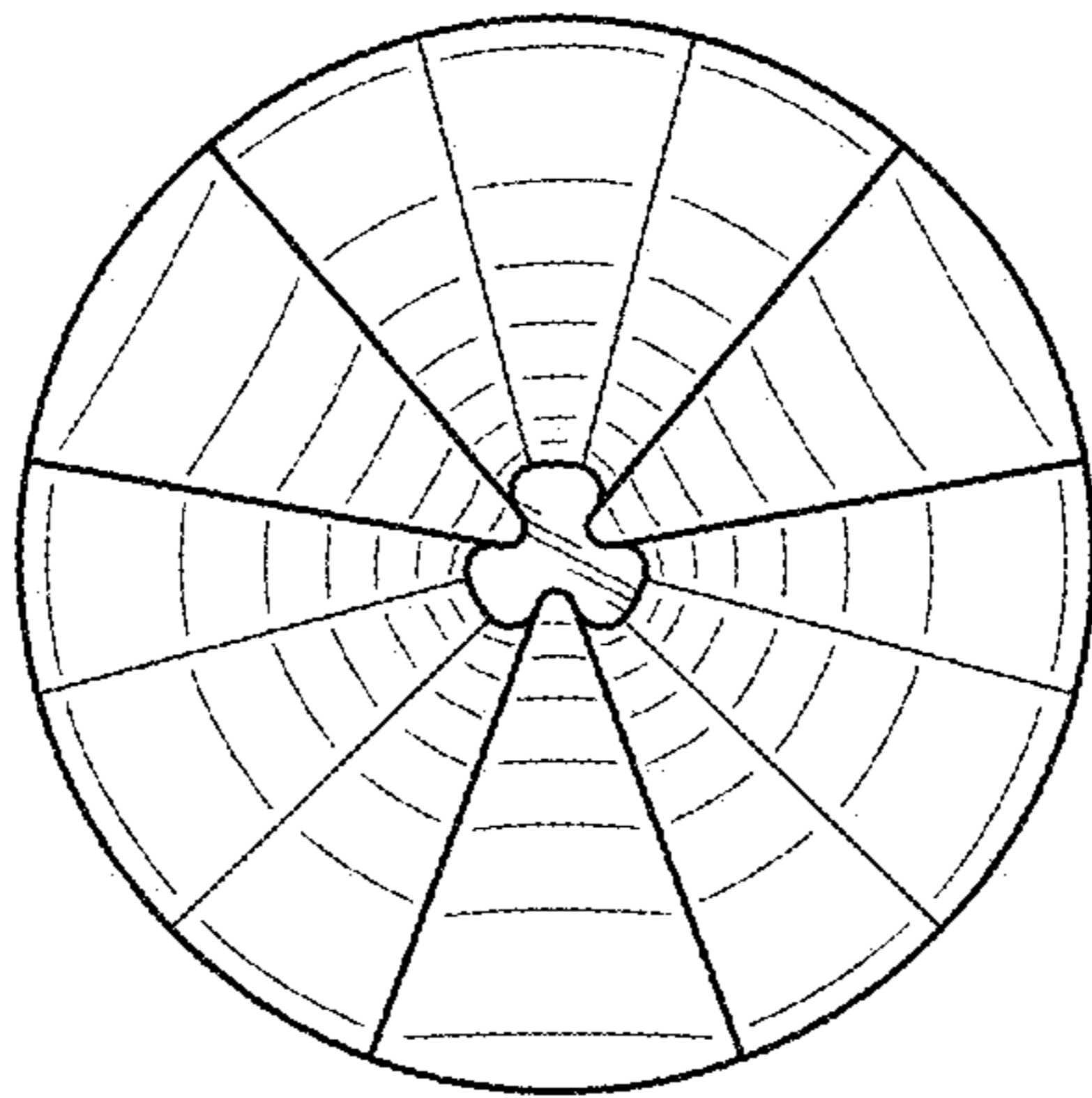


FIG. 3