



US00D983002S

(12) **United States Design Patent**
Dvorak

(10) **Patent No.:** **US D983,002 S**

(45) **Date of Patent:** **** Apr. 11, 2023**

(54) **GUN VISE**

(71) Applicant: **Good Sportsman Marketing, LLC**,
Irving, TX (US)

(72) Inventor: **Daniel Dvorak**, Henderson, NV (US)

(73) Assignee: **Good Sportsman Marketing, LLC**,
Irving, TX (US)

(**) Term: **15 Years**

(21) Appl. No.: **29/795,091**

(22) Filed: **Jun. 16, 2021**

(51) **LOC (14) Cl.** **08-05**

(52) **U.S. Cl.**

USPC **D8/74; D22/108**

(58) **Field of Classification Search**

USPC D8/71-74, 394-399, 59; D22/108

CPC . F41A 23/16; F41C 27/00; B25B 1/00; B25B

5/00

See application file for complete search history.

(56) **References Cited**

U.S. PATENT DOCUMENTS

D286,609 S *	11/1986	Hickman	D8/74
D364,080 S *	11/1995	Weyrauch	D8/74
D543,604 S *	5/2007	Minneman	D22/108
D557,093 S *	12/2007	Holt	D8/51
D621,209 S *	8/2010	Takagi	D7/397
D644,497 S *	9/2011	Livingston, Jr.	D8/72
D646,543 S *	10/2011	Galle	D8/74
D911,160 S *	2/2021	DeArmond	D8/394
D913,347 S *	3/2021	Hall	D15/138
D946,992 S *	3/2022	Ye	D8/74

2009/0026679 A1* 1/2009 Harman, III F41C 27/00
269/74

2010/0126055 A1* 5/2010 Potterfield F41A 23/16
206/505

2010/0164158 A1* 7/2010 Weissenborn A63C 11/26
269/282

* cited by examiner

Primary Examiner — David G Muller

(74) *Attorney, Agent, or Firm* — Lightbulb IP, LLC

(57) **CLAIM**

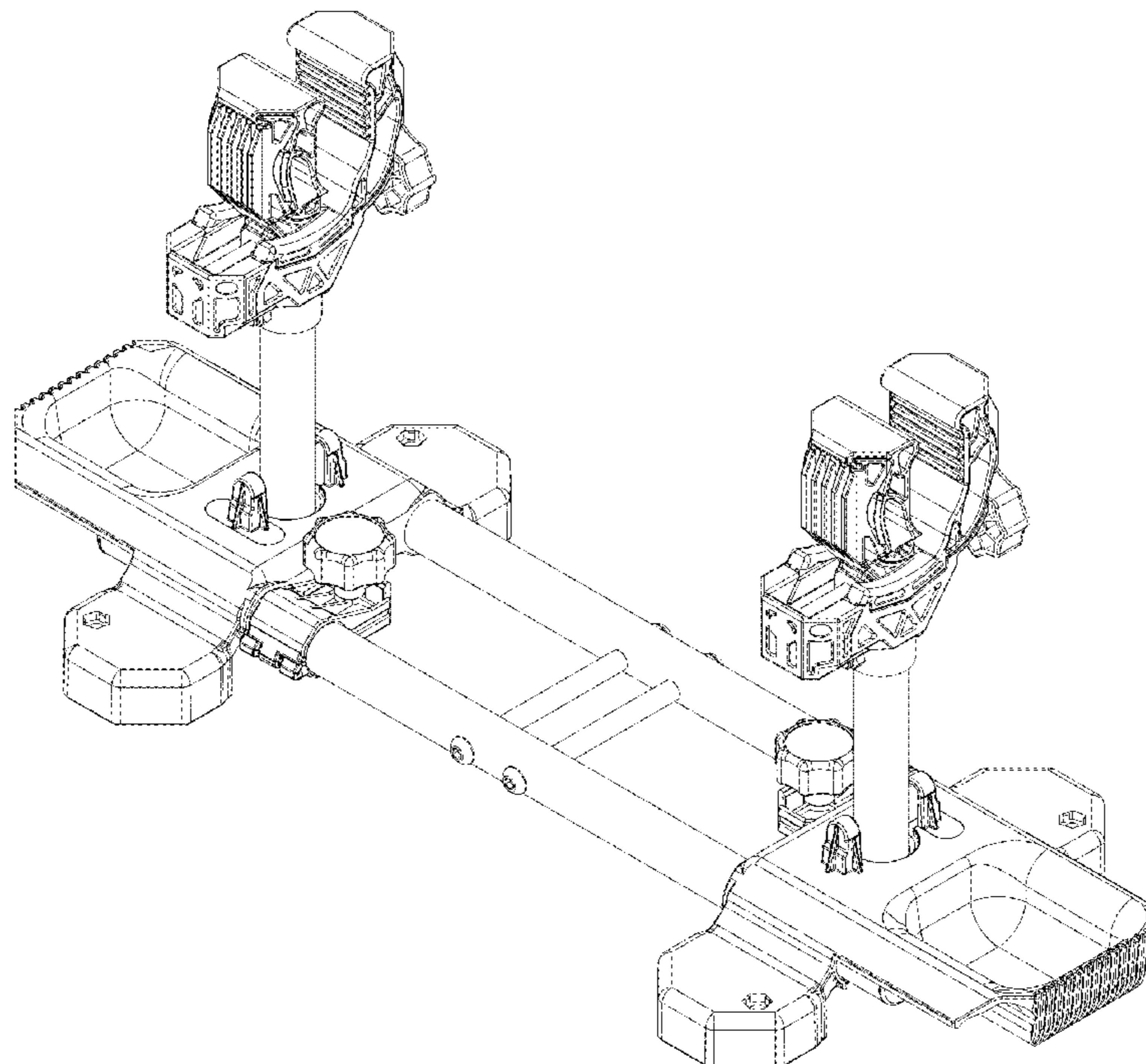
The ornamental design for a gun vise, as shown and described.

DESCRIPTION

FIG. 1 is a first perspective view of a gun vise;
 FIG. 2 is a second perspective view thereof;
 FIG. 3 is a back view thereof;
 FIG. 4 is a front view thereof;
 FIG. 5 is a top view thereof;
 FIG. 6 is a bottom view thereof;
 FIG. 7 is a side view thereof;
 FIG. 8 is an opposite side view thereof;
 FIG. 9 is a first perspective view of a gun vise in a folded and collapsed state;
 FIG. 10 is a second perspective view thereof;
 FIG. 11 is a back view thereof;
 FIG. 12 is a front view thereof;
 FIG. 13 is a top view thereof;
 FIG. 14 is a bottom view thereof;
 FIG. 15 is a side view thereof; and,
 FIG. 16 is an opposite side view thereof.

The broken lines in the figures show portions of the gun vise that form no part of the claimed design.

1 Claim, 8 Drawing Sheets



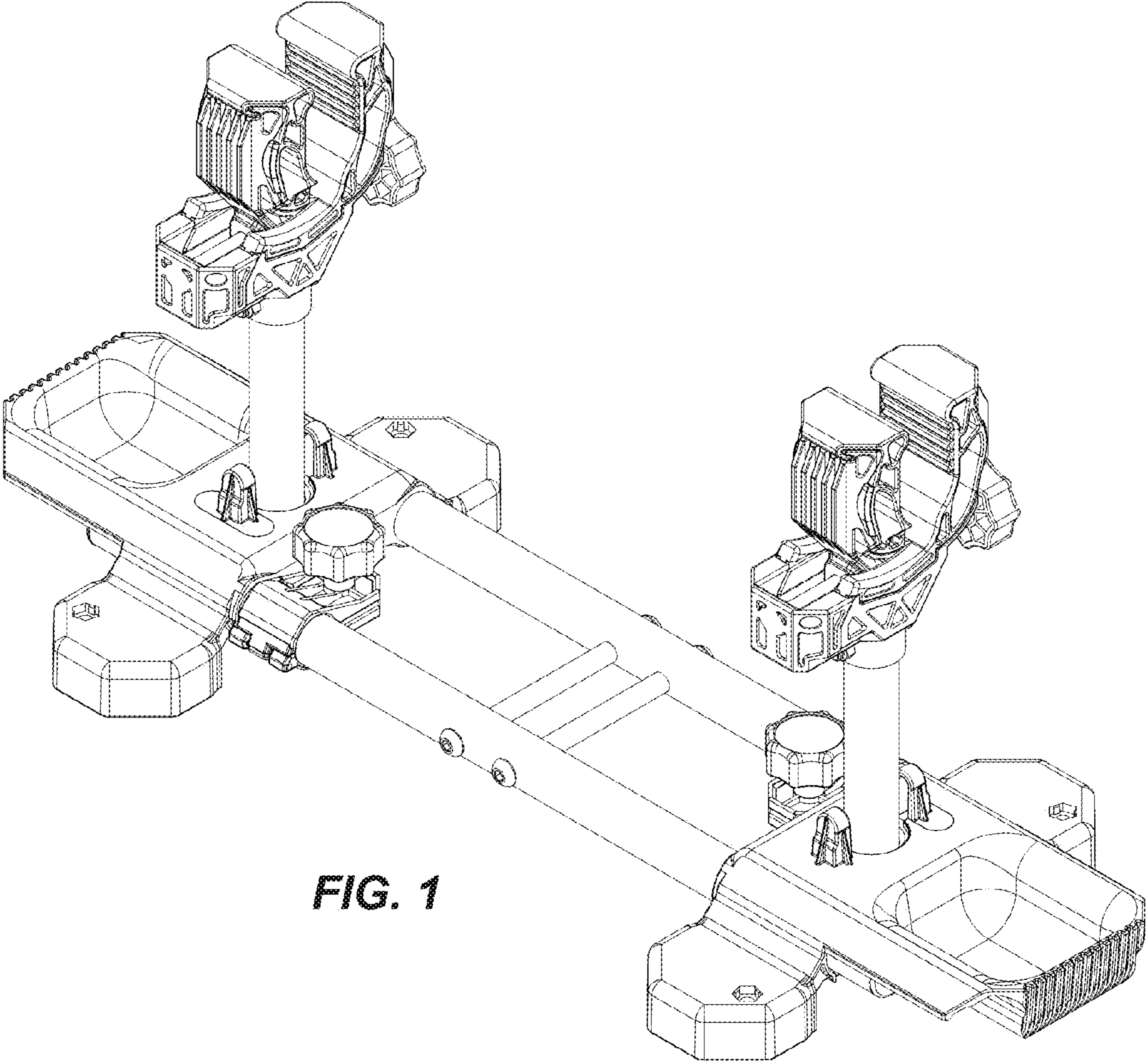


FIG. 1

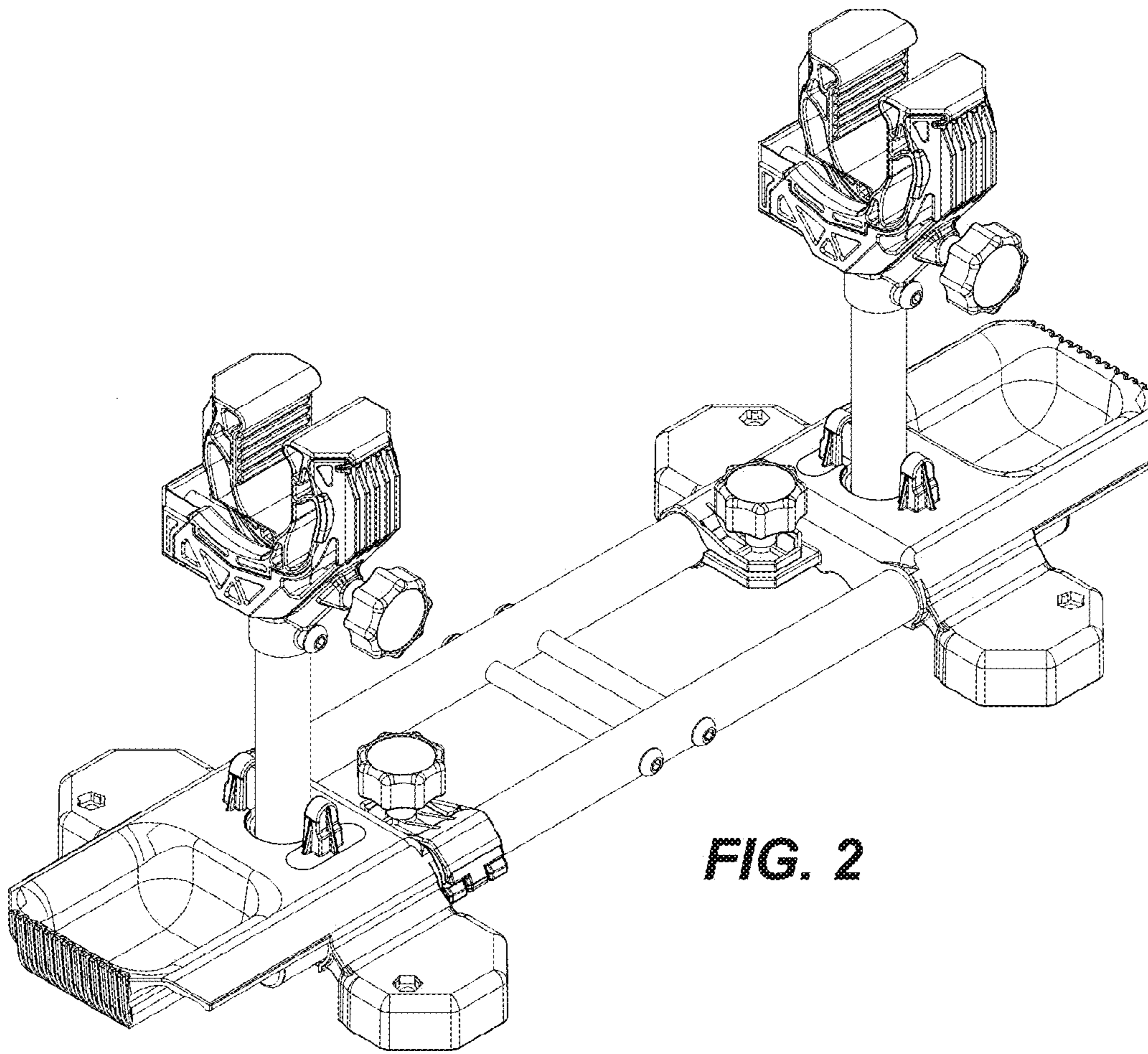


FIG. 2

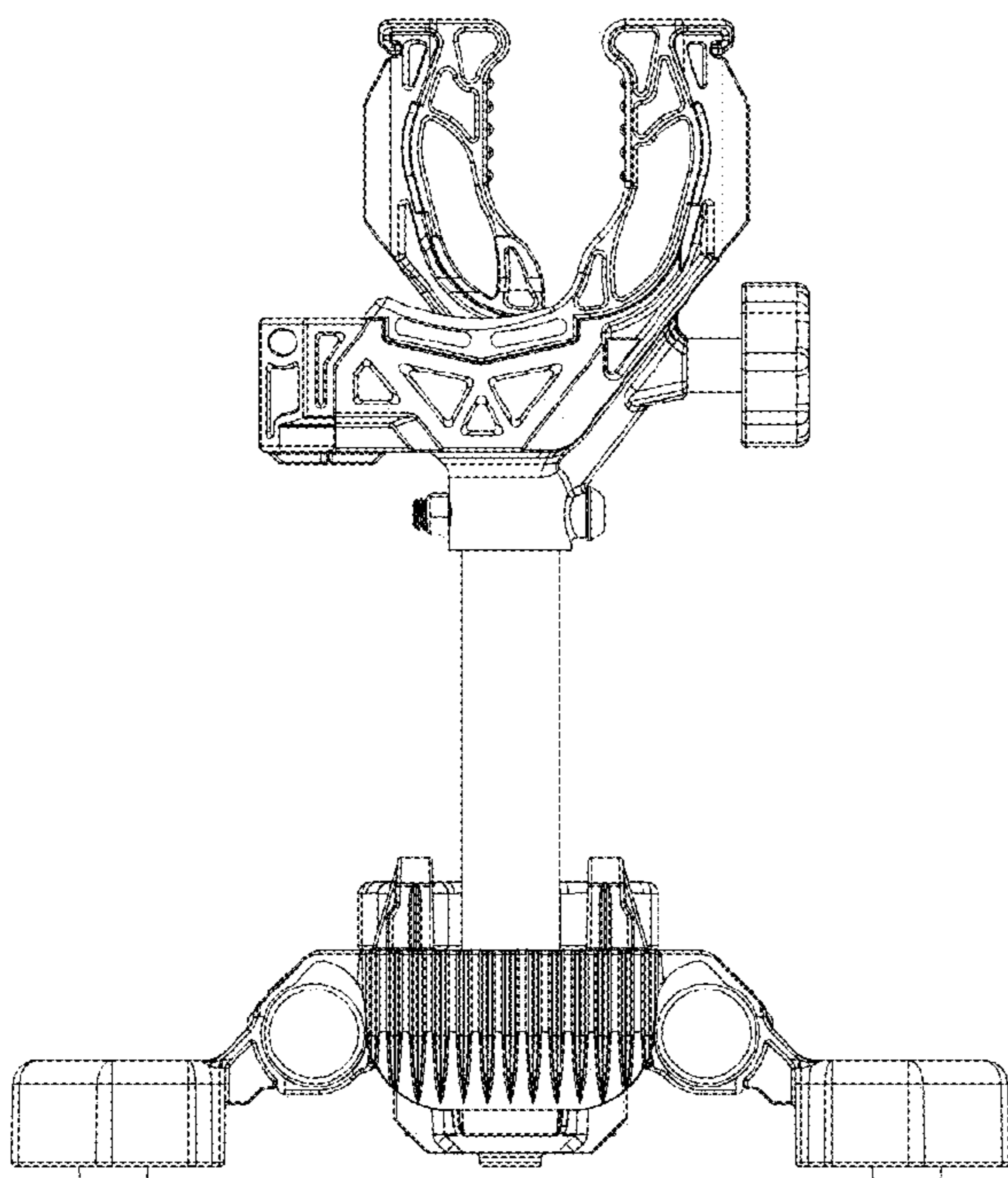


FIG. 3

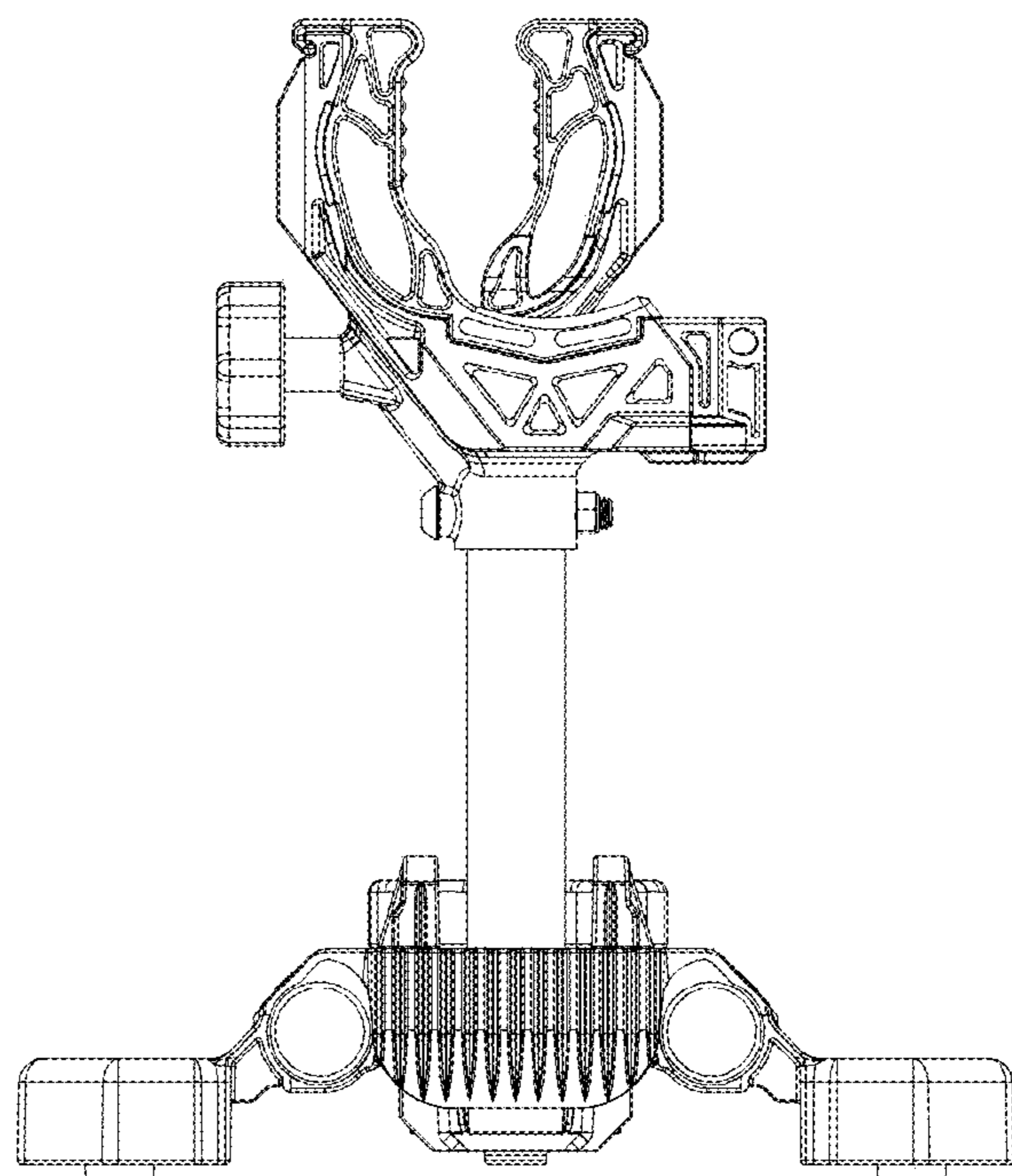


FIG. 4

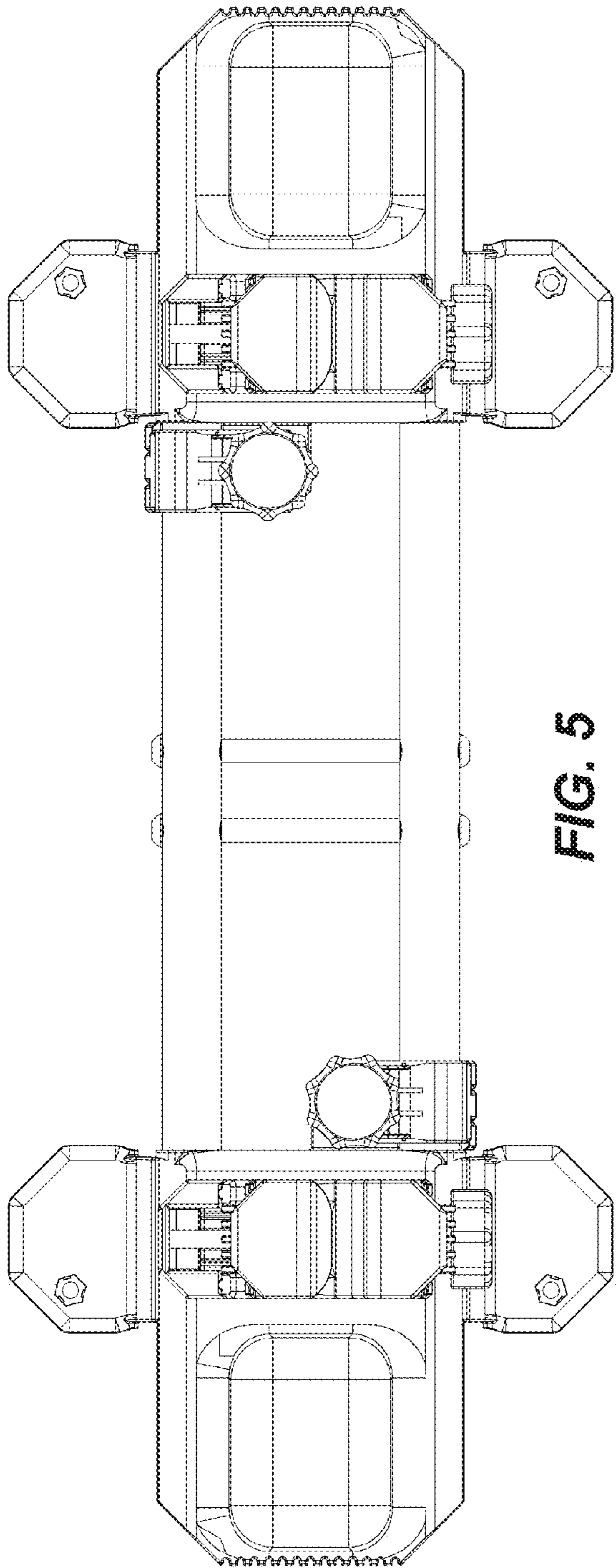


FIG. 5

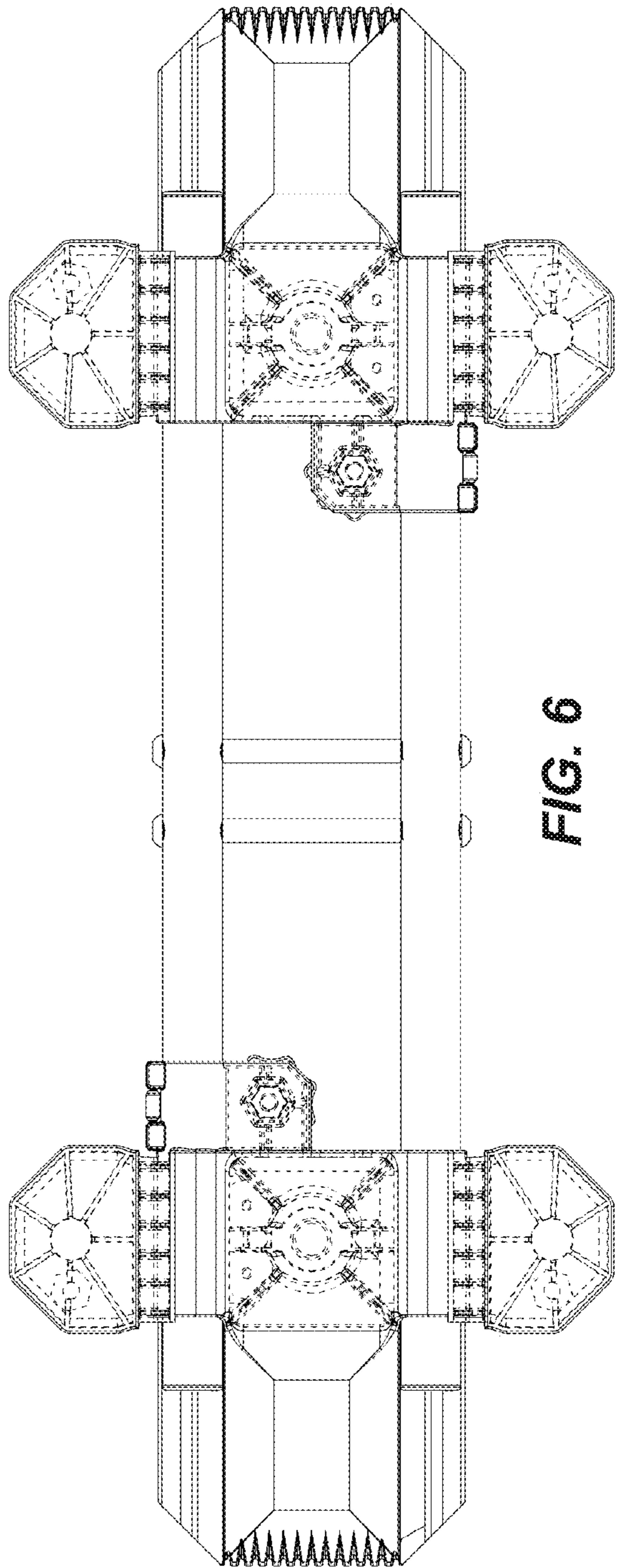


FIG. 6

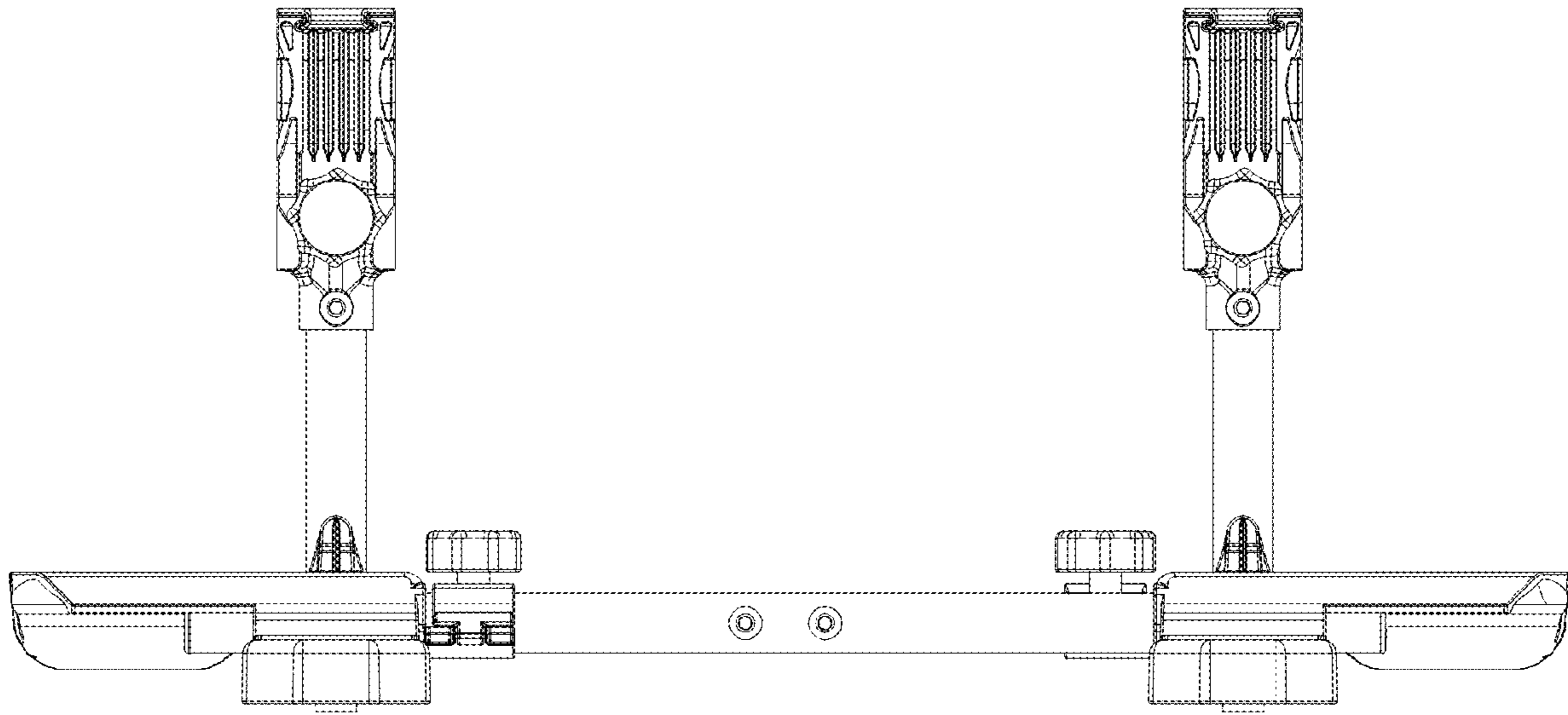


FIG. 7

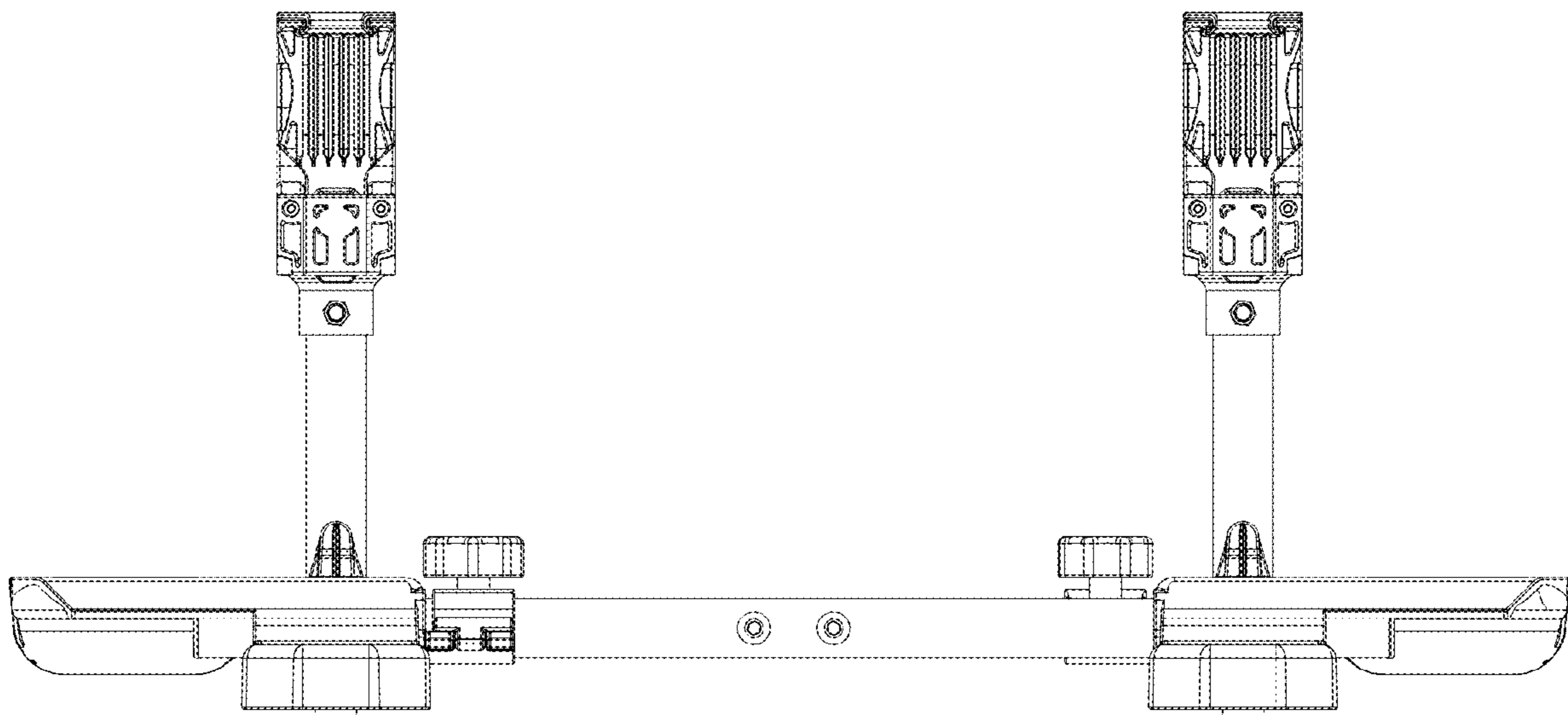


FIG. 8

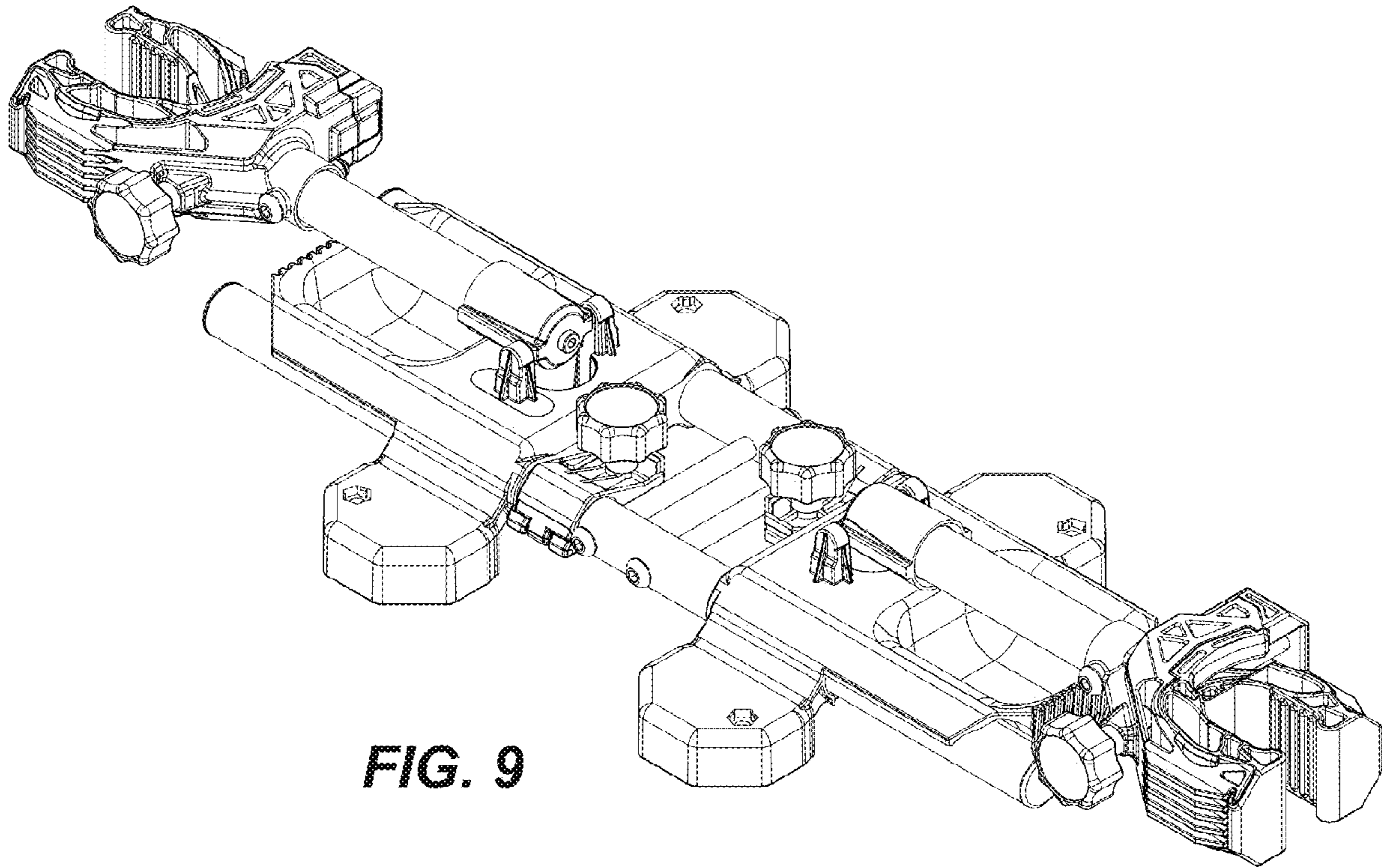


FIG. 9

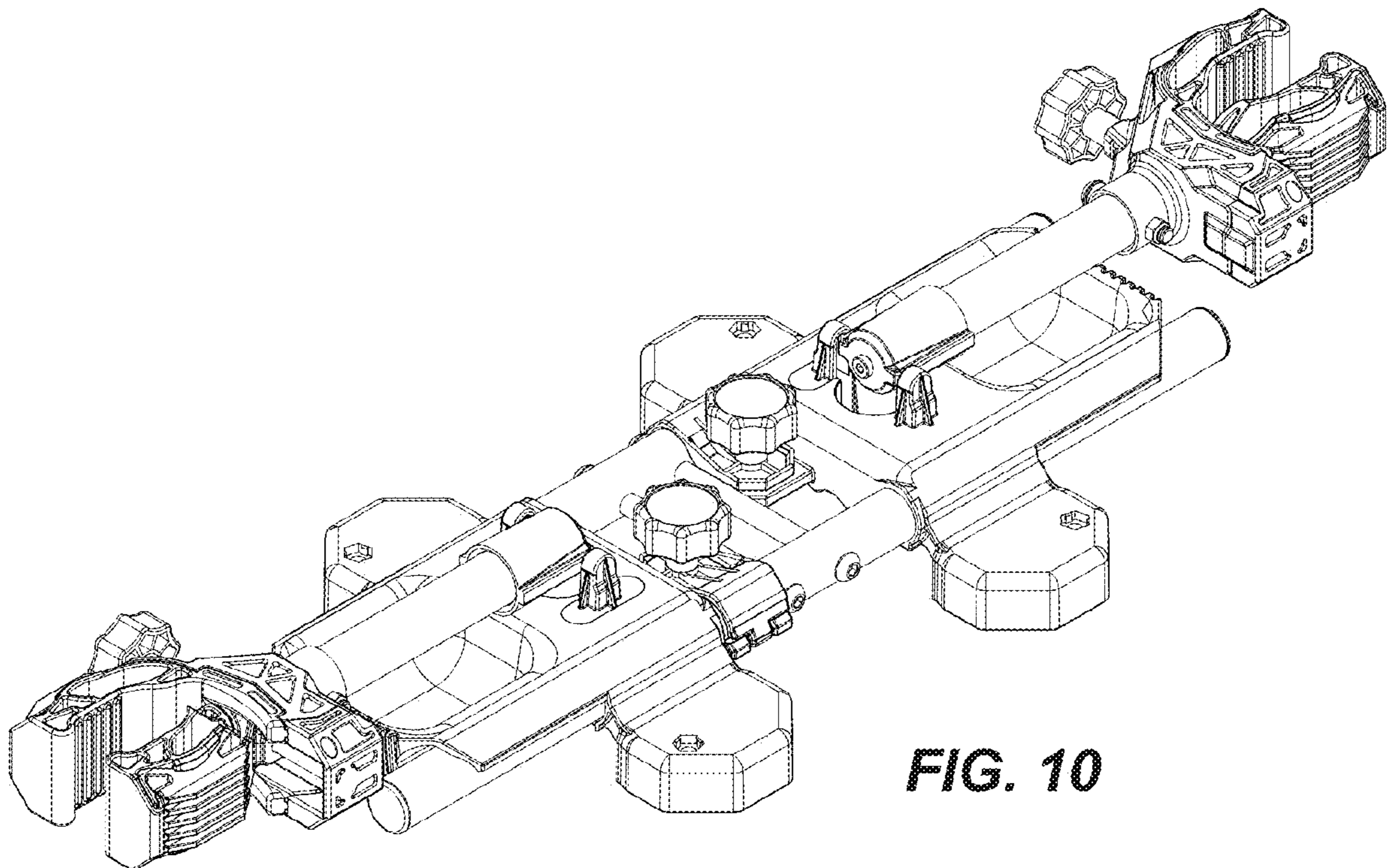


FIG. 10

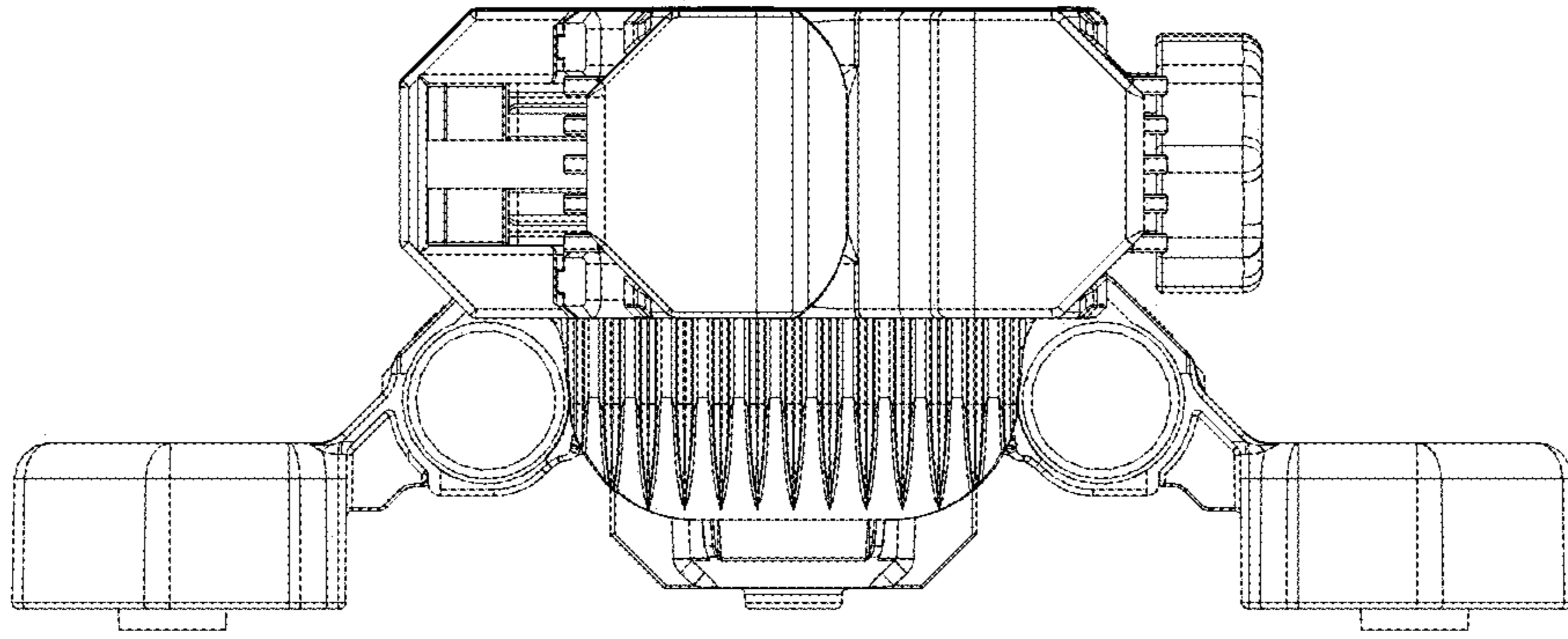


FIG. 11

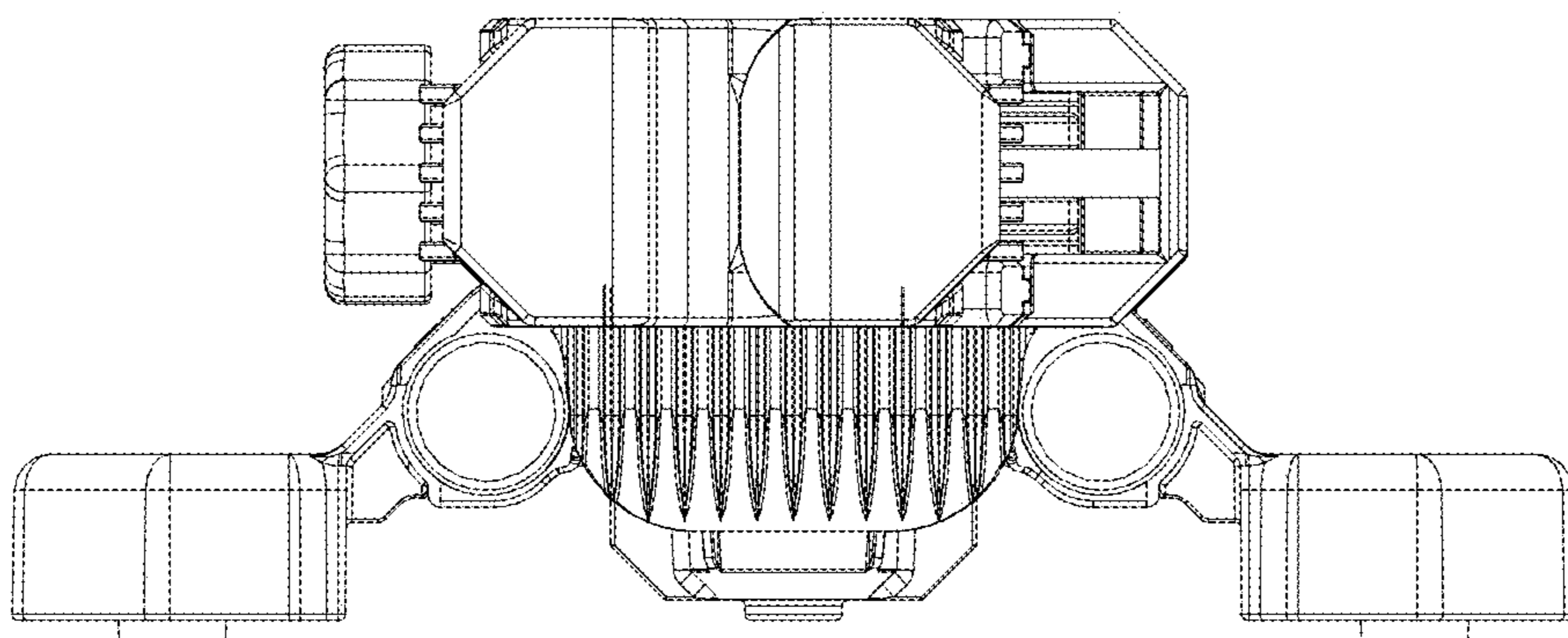
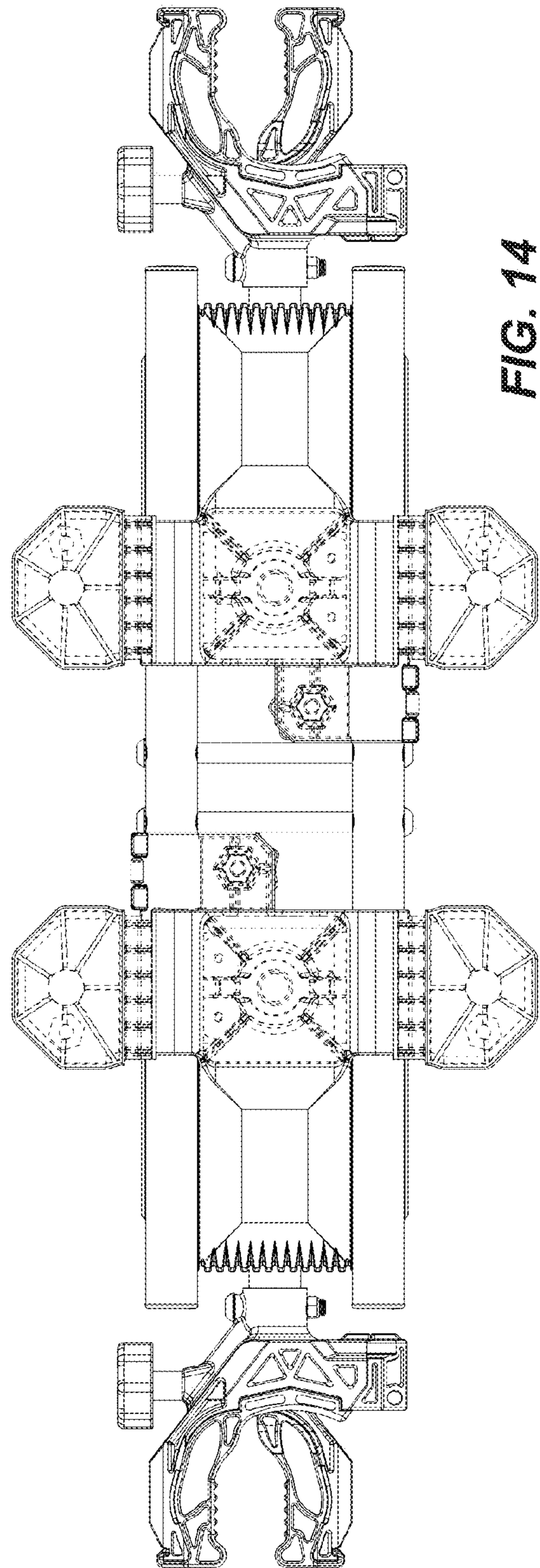
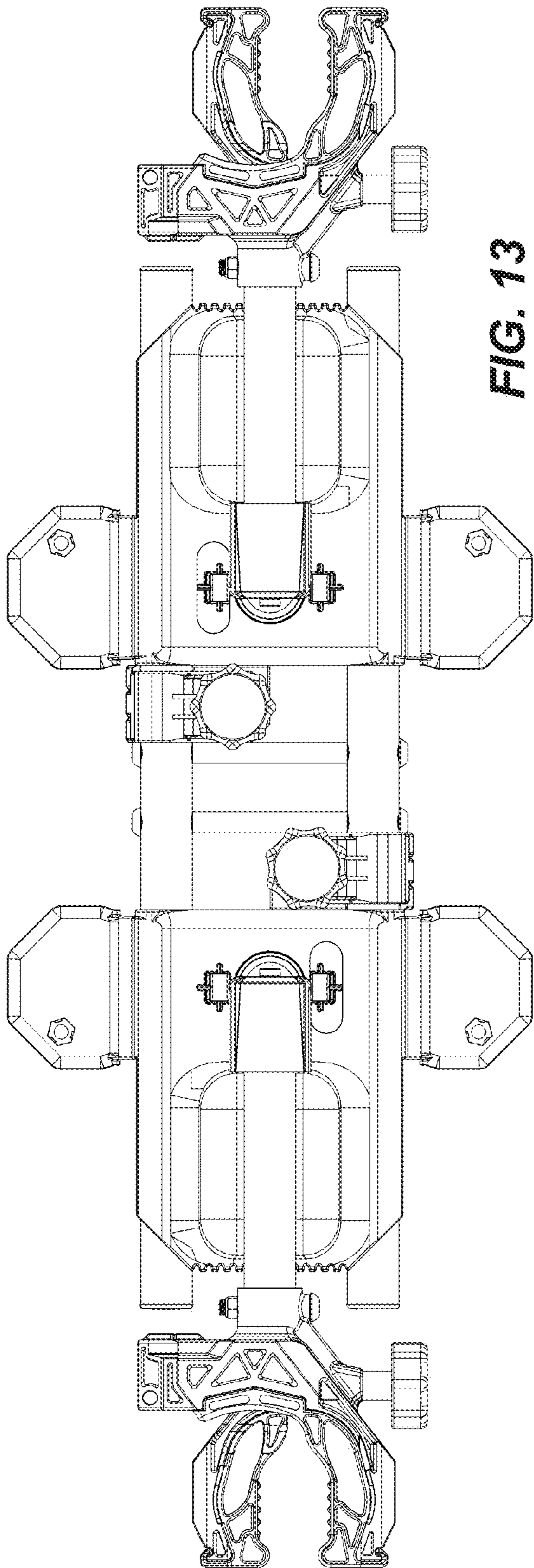


FIG. 12



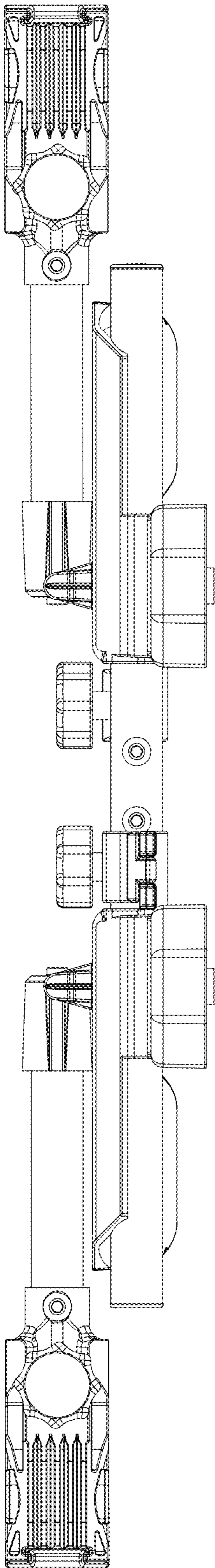


FIG. 15

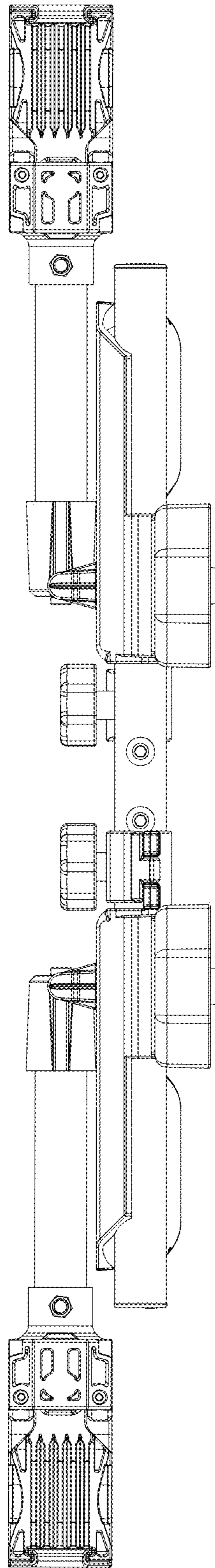


FIG. 16