



US00D983000S

(12) **United States Design Patent** (10) **Patent No.:** **US D983,000 S**
Luo (45) **Date of Patent:** **** Apr. 11, 2023**

(54) **SCISSORS**

(71) Applicant: **Bo Luo**, Shenzhen (CN)

(72) Inventor: **Bo Luo**, Shenzhen (CN)

(**) Term: **15 Years**

(21) Appl. No.: **29/838,097**

(22) Filed: **May 10, 2022**

(51) **LOC (14) Cl.** **08-03**

(52) **U.S. Cl.**
USPC **D8/57**

(58) **Field of Classification Search**
USPC D8/1, 60, 97, 61, 107, 11, 57, 26;
D15/28, 127; D24/148
CPC B27B 21/02; B27B 21/00; B27B 21/04;
B27B 21/06; B27B 21/08; B27B 23/00;
B27B 31/00; B27B 31/003; B27B 13/02;
B27B 33/10; B27L 7/00; B27L 5/06;
B23B 3/26; B23B 5/14; B23B 5/08
See application file for complete search history.

(56) **References Cited**

U.S. PATENT DOCUMENTS

| | | | | |
|----------------|---------|------------|-------|----------------------|
| D100,377 S * | 7/1936 | Lincoln | | D8/57 |
| D156,876 S * | 1/1950 | Fraim | | D8/1 |
| D244,828 S * | 6/1977 | Visco | | D8/57 |
| D372,783 S * | 8/1996 | Rollert | | D24/149 |
| D378,043 S * | 2/1997 | Ogura | | D8/57 |
| D391,819 S * | 3/1998 | Robinson | | D8/57 |
| D409,064 S * | 5/1999 | Olix | | D8/57 |
| D549,335 S * | 8/2007 | Junck | | D24/149 |
| 7,941,928 B2 * | 5/2011 | Fisher | | B26B 13/22 30/261 |
| D644,736 S * | 9/2011 | Fisher | | D24/148 |
| D669,179 S * | 10/2012 | Fisher | | D24/148 |
| D717,623 S * | 11/2014 | Savolainen | | D8/57 |
| D722,852 S * | 2/2015 | Savolainen | | D8/57 |
| D723,161 S * | 2/2015 | Goldstein | | D24/148 |
| D786,038 S * | 5/2017 | Roberts | | D8/57 |

| | | | | |
|--------------|---------|------------|-------|---------|
| D786,041 S * | 5/2017 | Roberts | | D8/57 |
| D834,389 S * | 11/2018 | Fisher | | D8/57 |
| D835,230 S * | 12/2018 | Rauwerdink | | D22/150 |
| D860,743 S | 9/2019 | Chang | | |
| D863,010 S * | 10/2019 | Racamier | | D8/57 |
| D944,613 S * | 3/2022 | Liu | | D8/57 |

OTHER PUBLICATIONS

First Aid EMT Scissors, by Travel Outdoor Sporting Store on aliexpress.com. Dated Mar. 3, 2022. Found online [Aug. 9, 2022]. Found online [Aug. 9, 2022]. <https://www.aliexpress.com/item/3256804256231361.html?spm=a2g0o.detail.1000014.8.7c8a50213v3q>.
Medical Scissors, by Rhino on aliexpress.com. Dated Mar. 14, 2022. Found online [Aug. 9, 2022]. <https://Travwww.aliexpress.com/item/3256801314827746.html?spm=a2g0o.productlist.0.0.3f357c700NRJD>.

* cited by examiner

Primary Examiner — Eliza Z Harvey
Assistant Examiner — Kayla Marie Bennett
(74) *Attorney, Agent, or Firm* — Justin Lampel

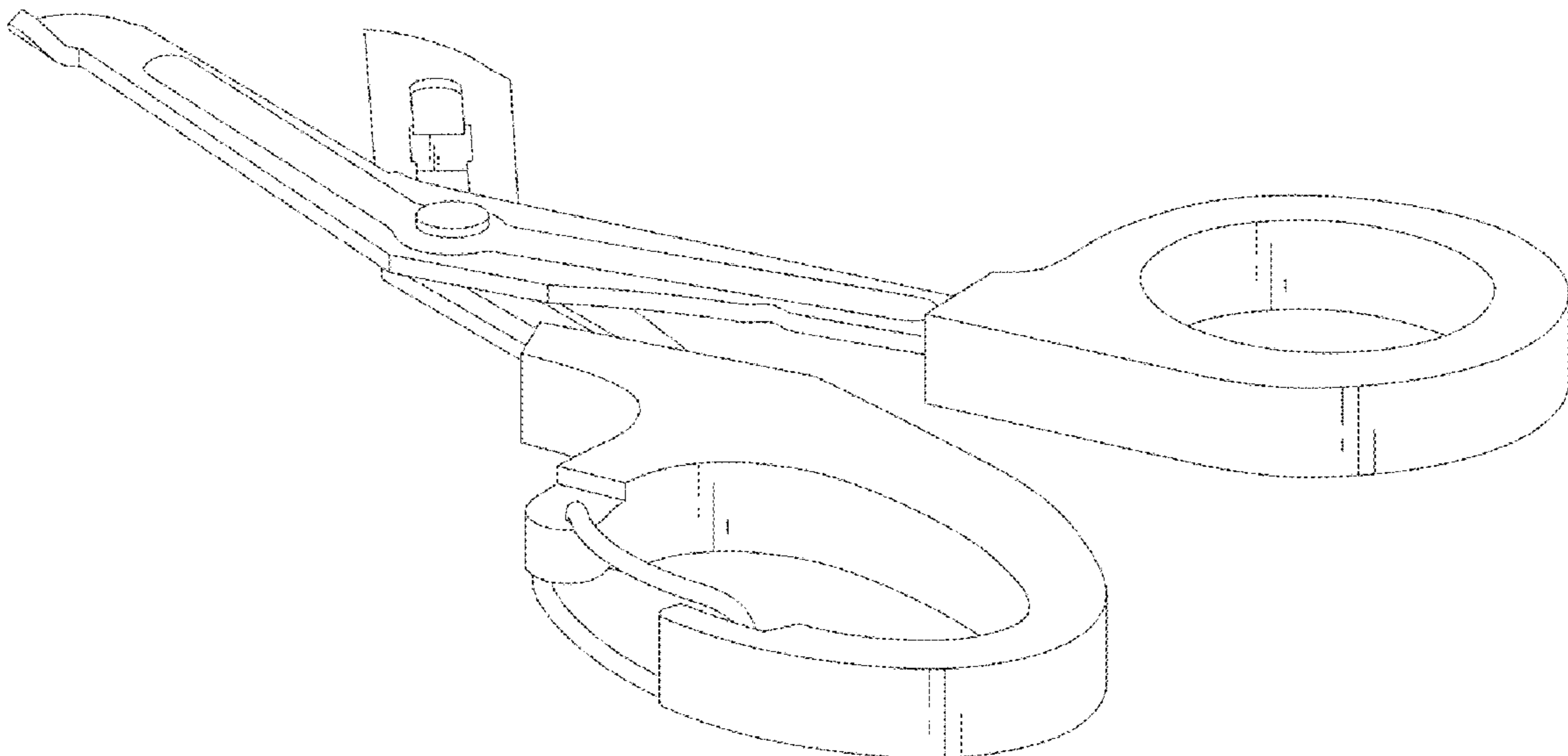
(57) **CLAIM**

The ornamental design for a scissors, as shown and described.

DESCRIPTION

FIG. 1 is a perspective view of a scissors showing my new design;
FIG. 2 is a top plan view thereof;
FIG. 3 is a rear elevational view thereof;
FIG. 4 is a left side view thereof;
FIG. 5 is a front elevational view thereof;
FIG. 6 is a right side view thereof; and,
FIG. 7 is a bottom plan view thereof.
The broken lines depict portions of the scissors that form no part of the claimed design.

1 Claim, 7 Drawing Sheets



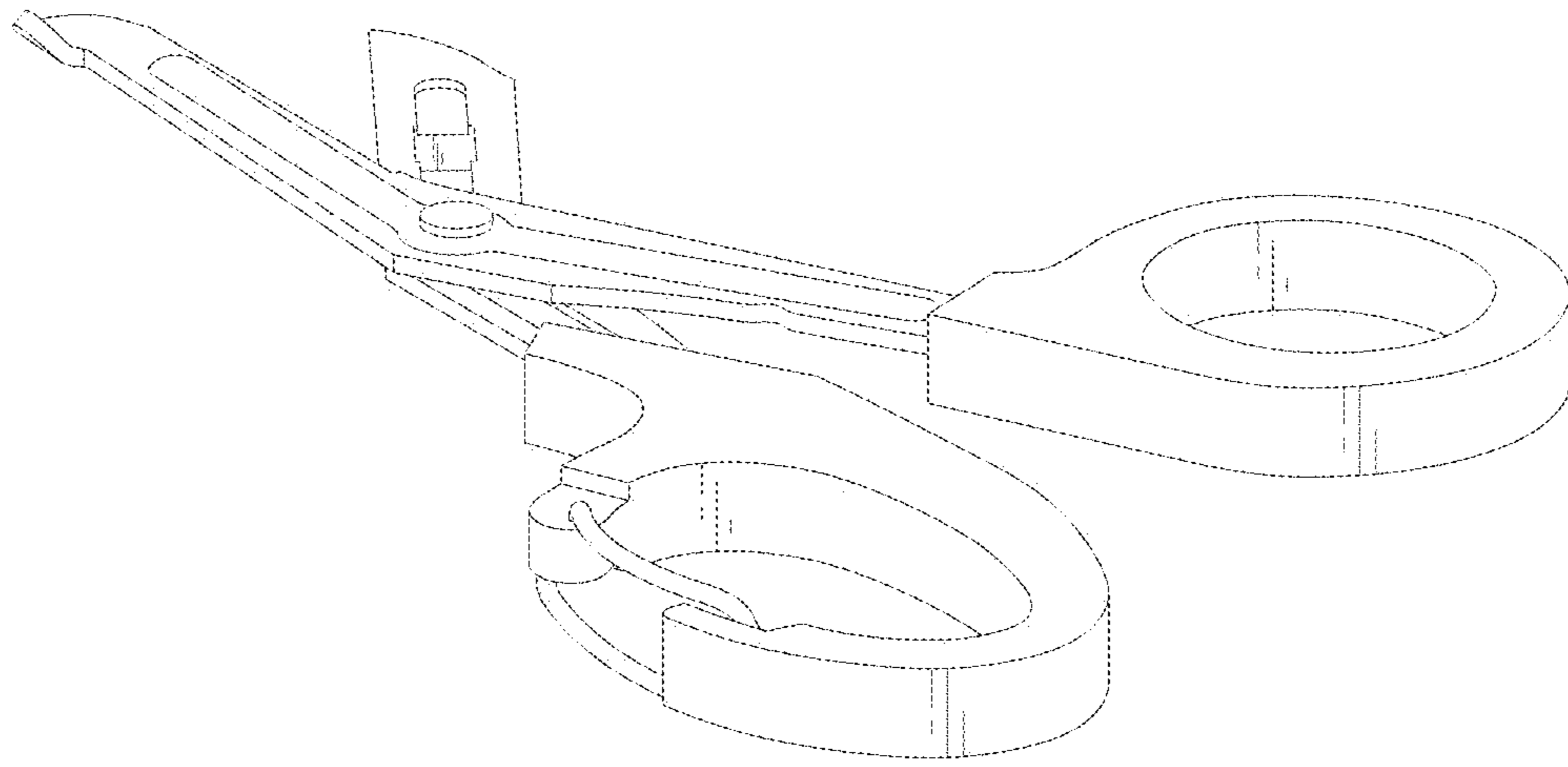


FIG.1

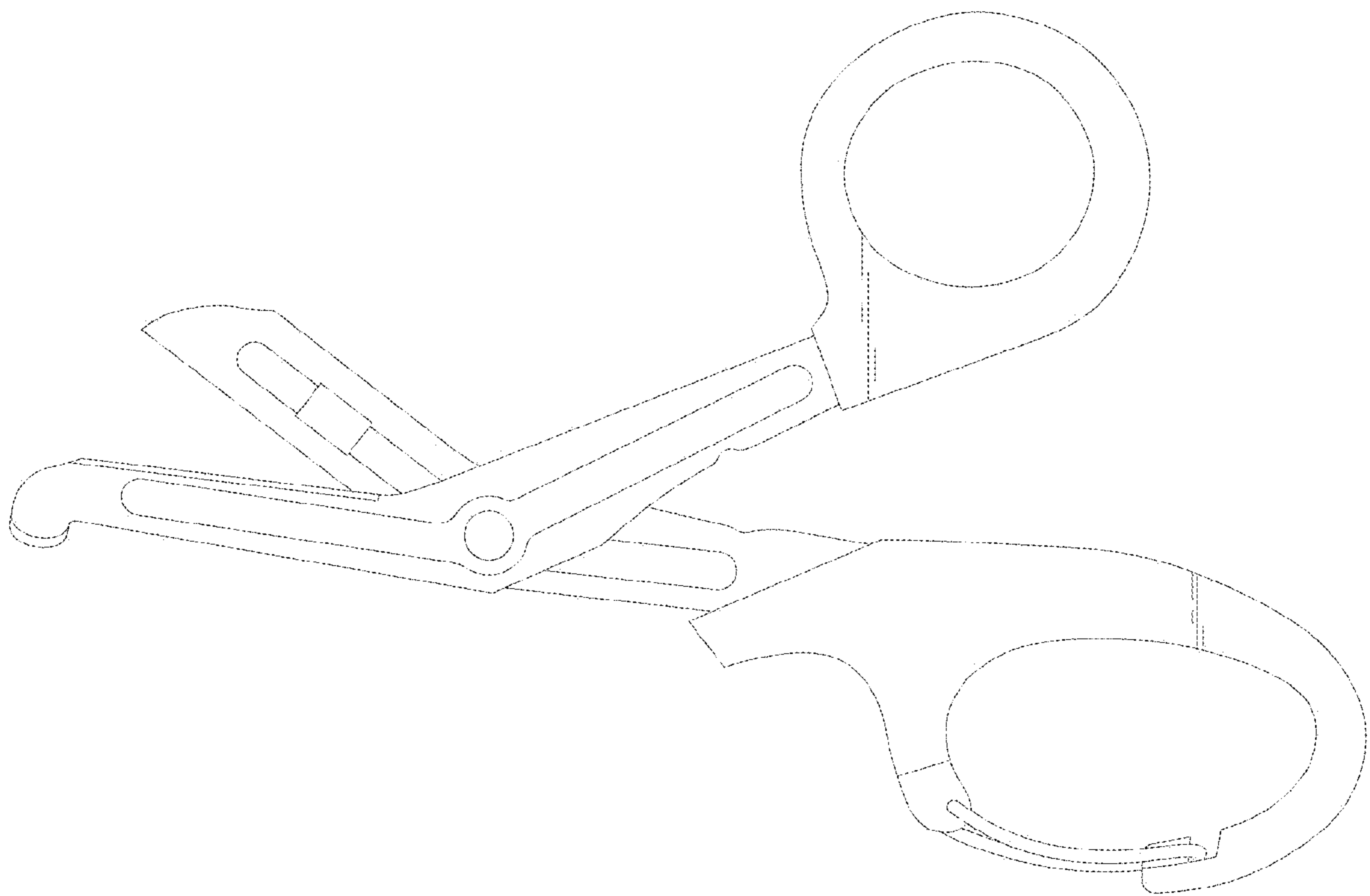


FIG.2

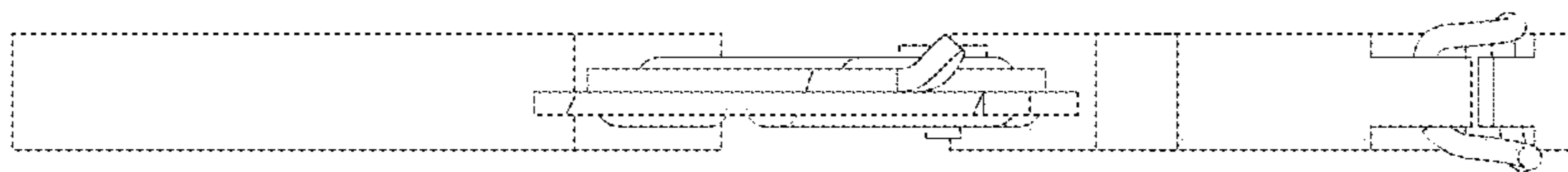


FIG. 3

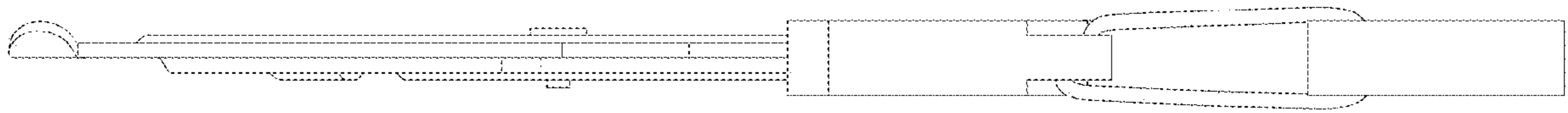


FIG.4

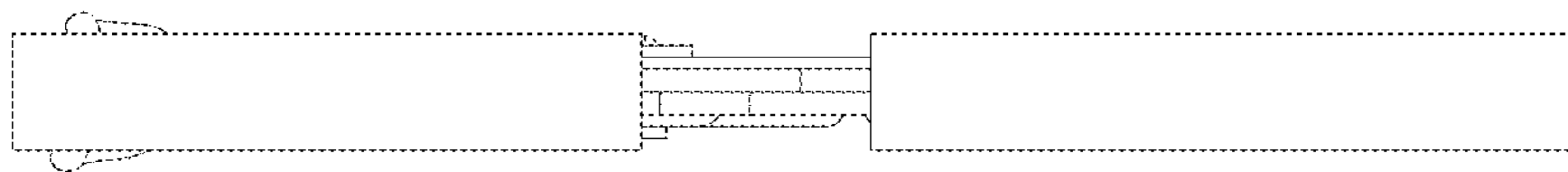


FIG.5

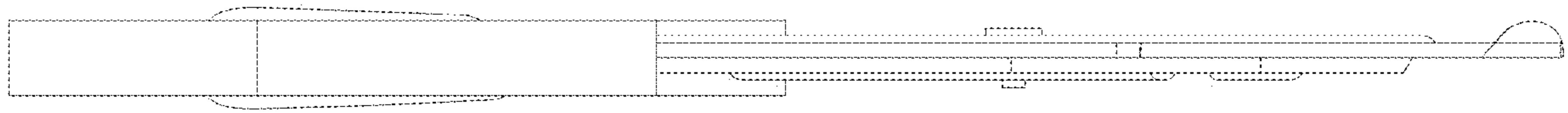


FIG.6

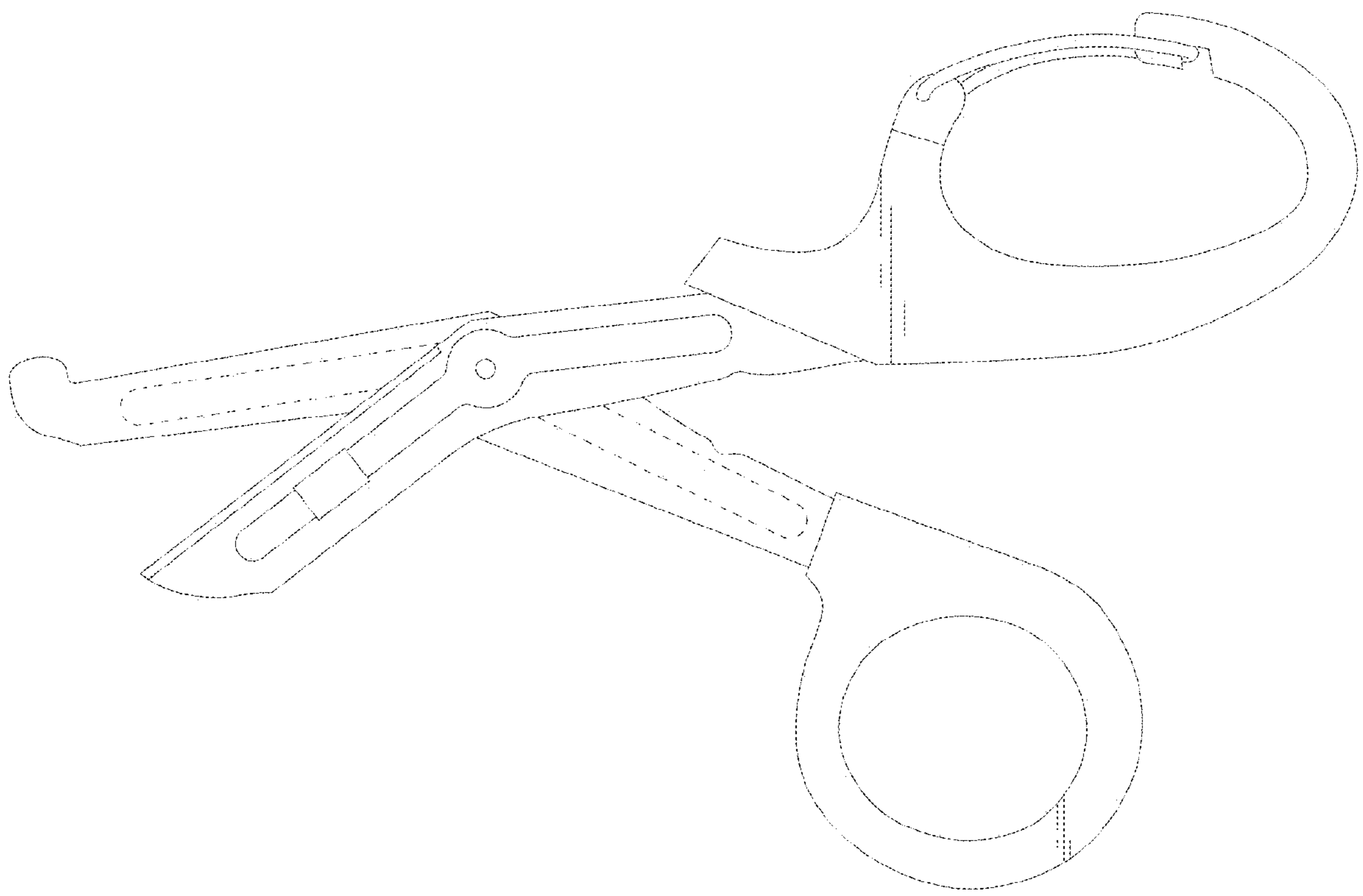


FIG. 7