



US00D982997S

(12) **United States Design Patent** (10) **Patent No.:** **US D982,997 S**
Lu (45) **Date of Patent:** **** Apr. 11, 2023**

(54) **POSITIONING TOOL FOR PUNCHING**

(71) Applicant: **Haiyan Lu**, Shenzhen (CN)

(72) Inventor: **Haiyan Lu**, Shenzhen (CN)

(**) Term: **15 Years**

(21) Appl. No.: **29/864,516**

(22) Filed: **Jun. 1, 2022**

(51) **LOC (14) Cl.** **08-05**

(52) **U.S. Cl.**
USPC **D8/51**

(58) **Field of Classification Search**
USPC D8/14, 71, 51; D15/128
CPC B25C 3/006; B25C 9/00
See application file for complete search history.

(56) **References Cited**

U.S. PATENT DOCUMENTS

- 1,980,583 A * 11/1934 Gurley B25C 9/00
81/44
- 2,481,304 A * 9/1949 Frevel B25C 9/00
81/44
- 3,847,193 A * 11/1974 Brunstetter B25C 3/006
D8/71
- 4,960,235 A * 10/1990 Gregory B25C 3/006
227/147
- 5,165,588 A * 11/1992 Rowland B25C 3/006
227/147
- 5,529,234 A * 6/1996 Juneau B25C 1/02
227/147
- D374,802 S * 10/1996 Spirer B25C 1/02
D8/51
- 6,345,755 B1 * 2/2002 Fields B25C 1/02
227/119
- D511,356 S * 11/2005 Oh D19/72
- D526,667 S * 8/2006 Sakamoto D15/135
- 7,407,073 B2 * 8/2008 Rafaeli B25C 1/02
227/18
- D615,569 S * 5/2010 Greenleaf D15/128

- 7,775,412 B2 * 8/2010 Nemeth B25C 3/006
173/90
- D694,788 S * 12/2013 Carper D15/128
- D718,585 S 12/2014 Zieger
- D719,590 S * 12/2014 Johnston D15/128
- D742,441 S * 11/2015 Johnston D15/128
- D763,933 S * 8/2016 Johnston D15/128
- D765,746 S * 9/2016 Johnston D15/128
- D780,242 S 2/2017 Hamayde
- D924,044 S 7/2021 Vandenberg et al.
- D945,870 S 3/2022 Vandenberg
- 2011/0203417 A1 * 8/2011 Hill, III B25C 9/00
81/44
- 2016/0375479 A1 * 12/2016 Ishikawa B21D 28/34
72/329

(Continued)

Primary Examiner — Philip S Hyder
(74) *Attorney, Agent, or Firm* — Daniel M. Cohn;
Howard M. Cohn

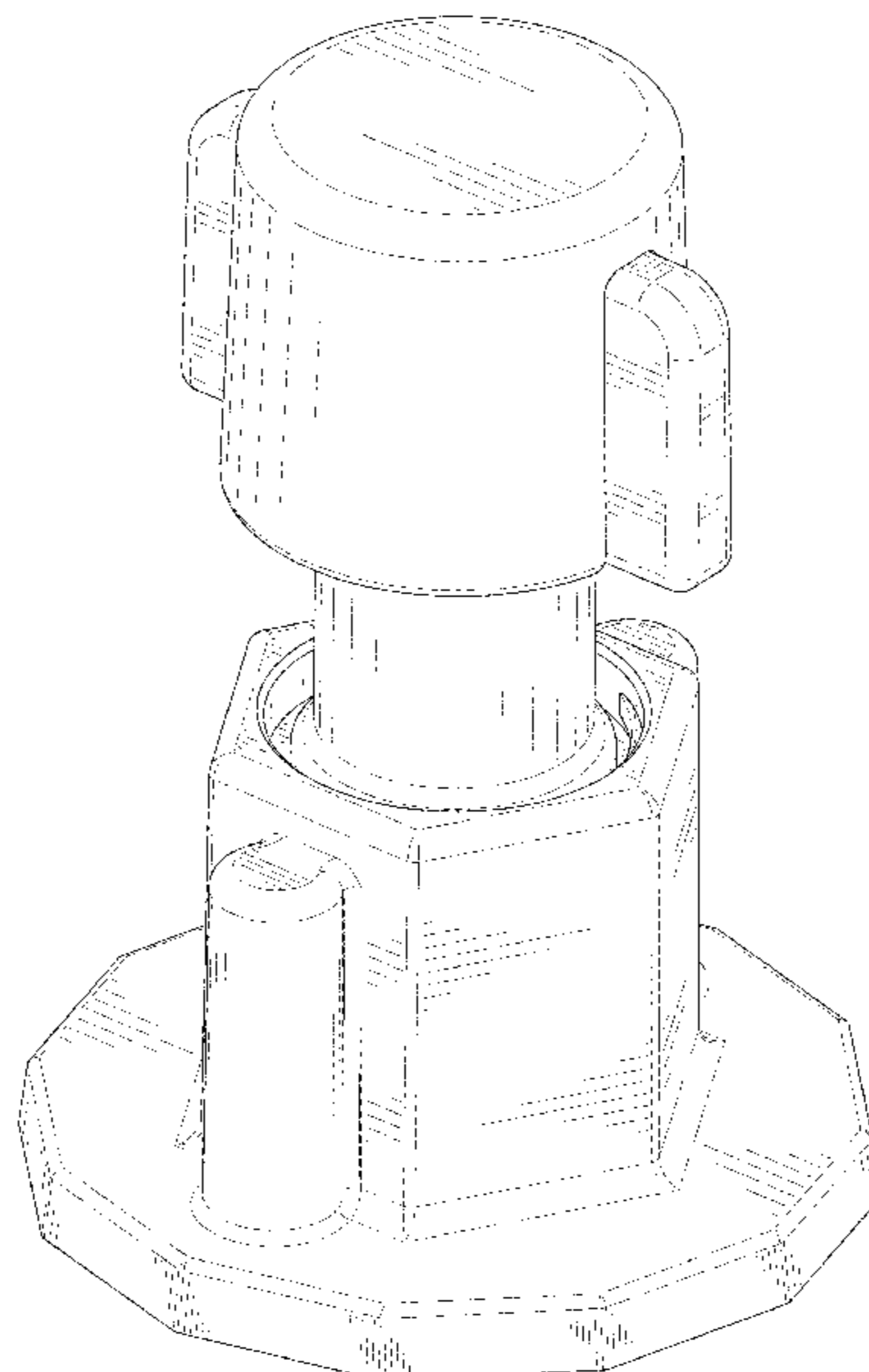
(57) **CLAIM**

The ornamental design for a positioning tool for punching, as shown and described.

DESCRIPTION

FIG. 1 is a perspective view of a positioning tool for punching showing my new design; FIG. 2 is another perspective view thereof; FIG. 3 is a front elevational view thereof; FIG. 4 is a rear elevational view thereof; FIG. 5 is a left side elevational view thereof; FIG. 6 is a right side elevational view thereof; FIG. 7 is a top plan view thereof; FIG. 8 is a bottom plan view thereof; and, FIG. 9 is an exploded perspective view of the positioning tool for punching. The broken lines in the drawings depict portions of the positioning tool for punching that form no part of the claimed design.

1 Claim, 9 Drawing Sheets



(56)

References Cited

U.S. PATENT DOCUMENTS

2021/0094086 A1* 4/2021 Laut B21D 28/34

* cited by examiner

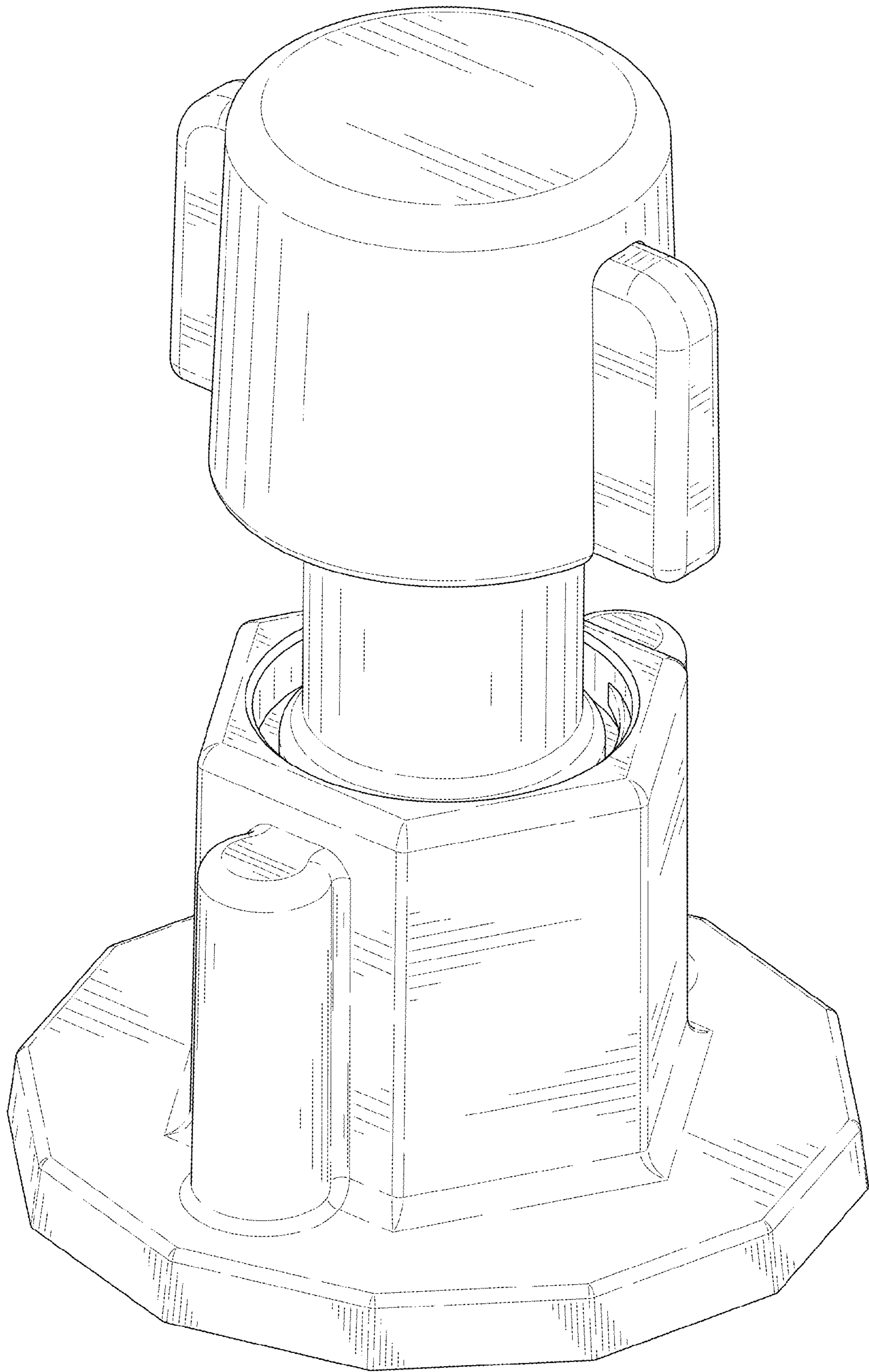


FIG. 1

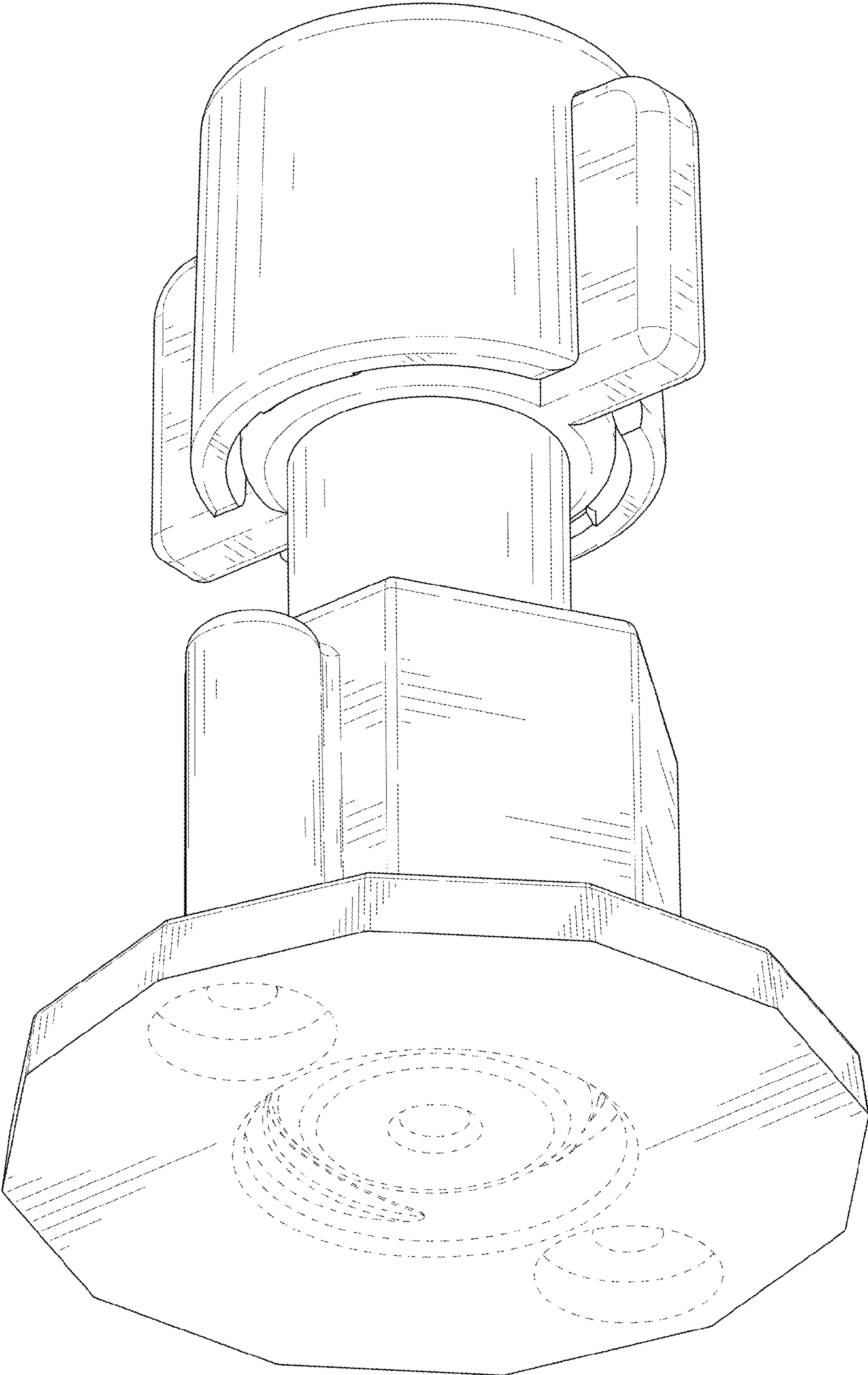


FIG. 2

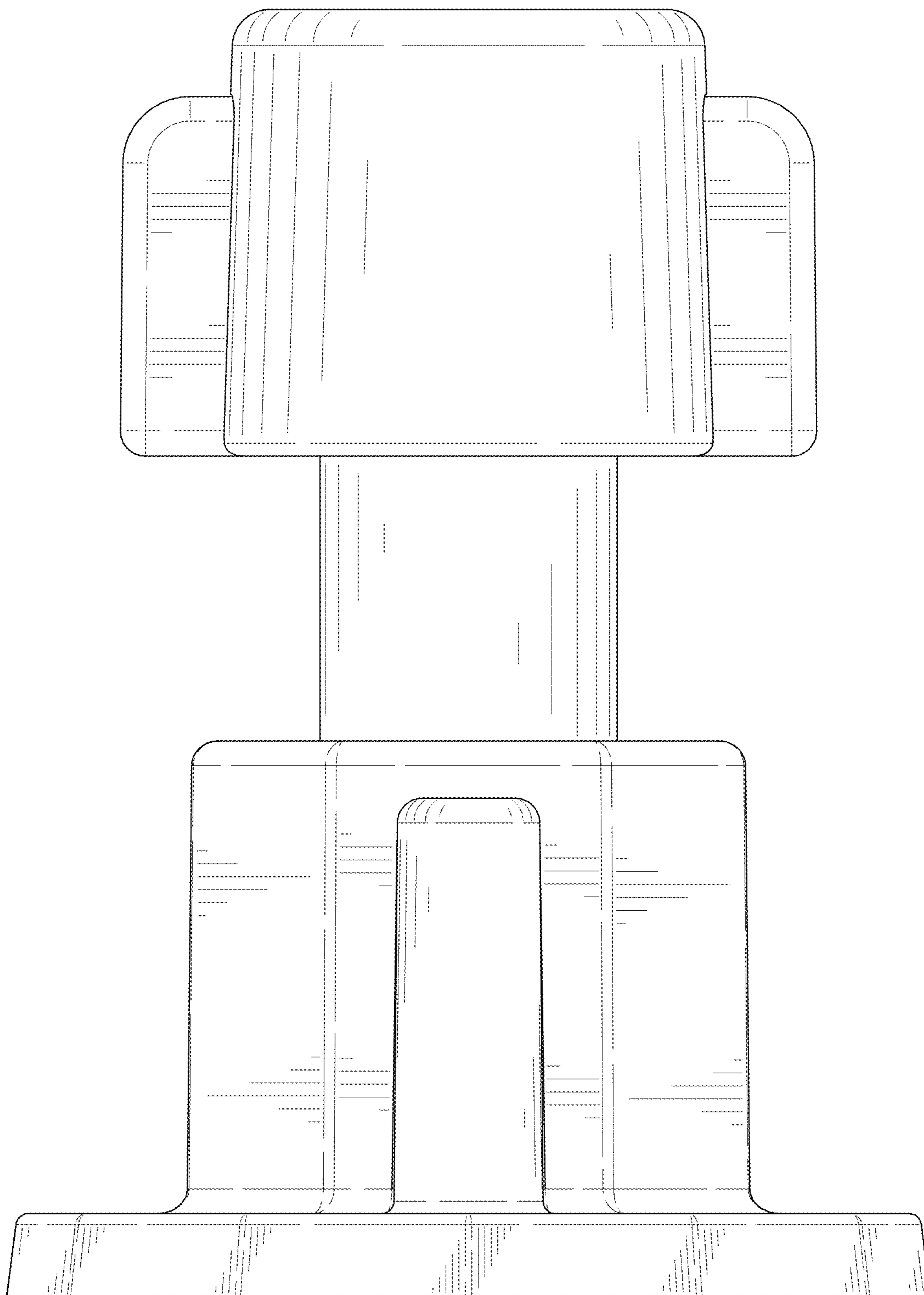


FIG. 3

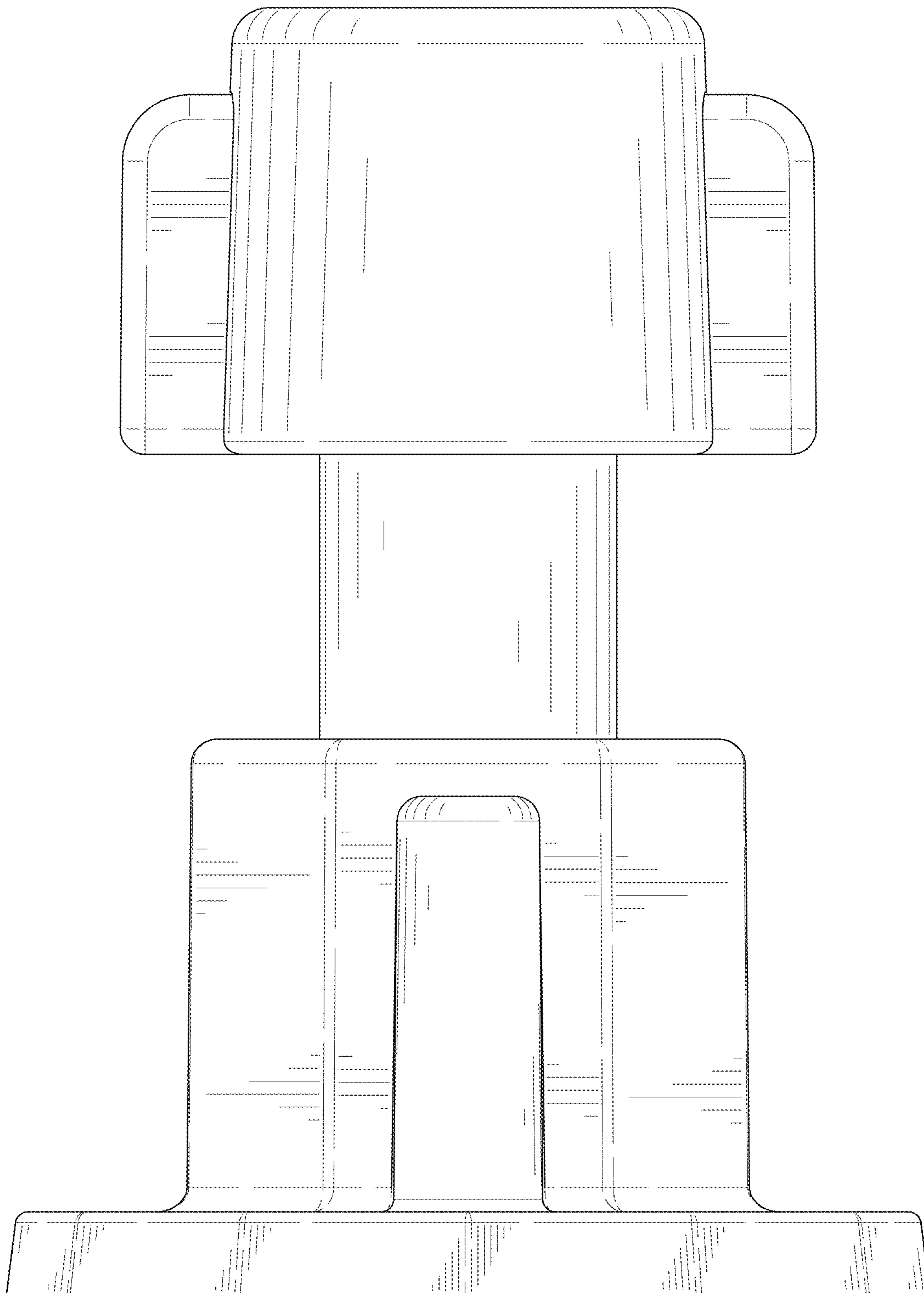


FIG. 4

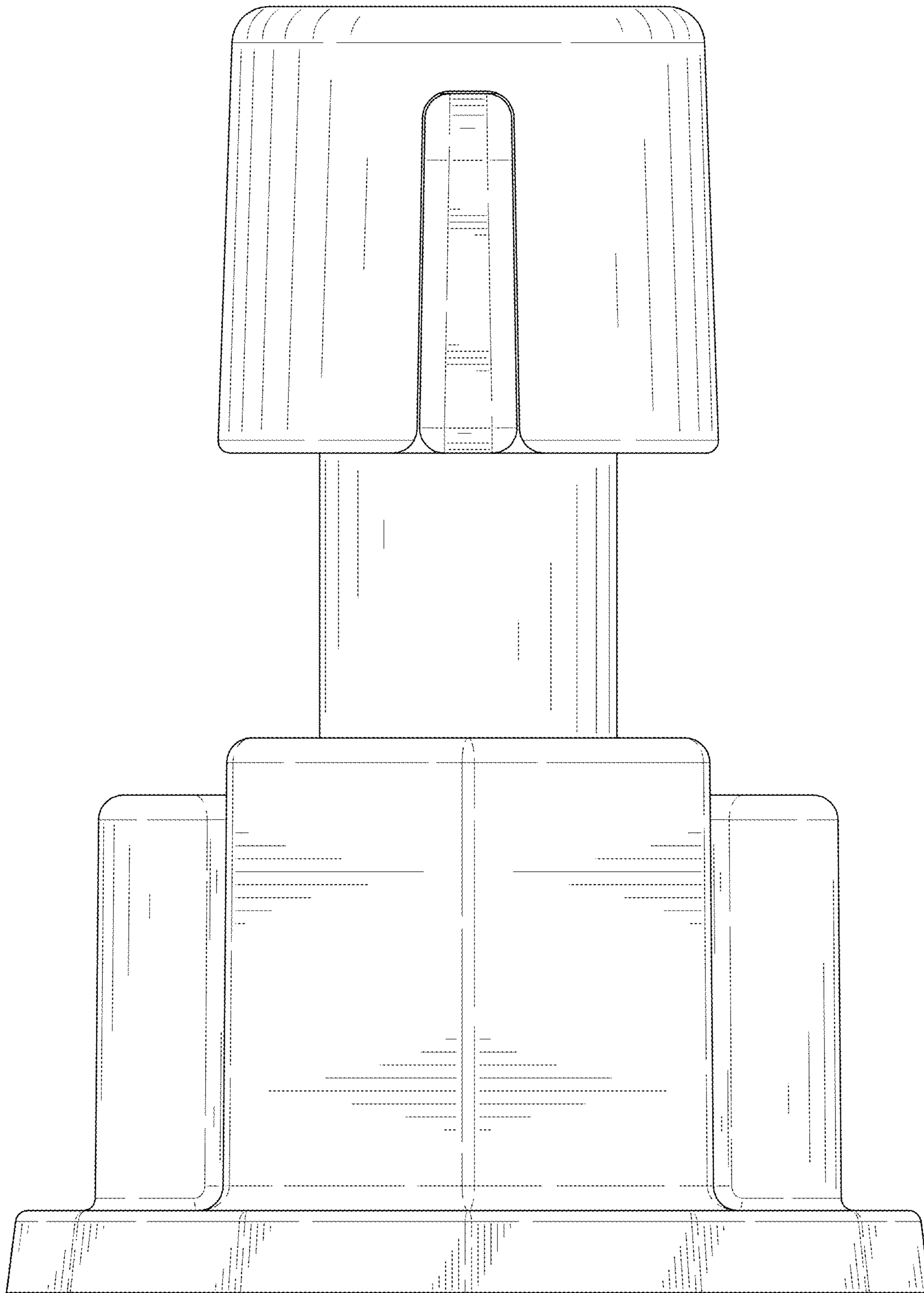


FIG. 5

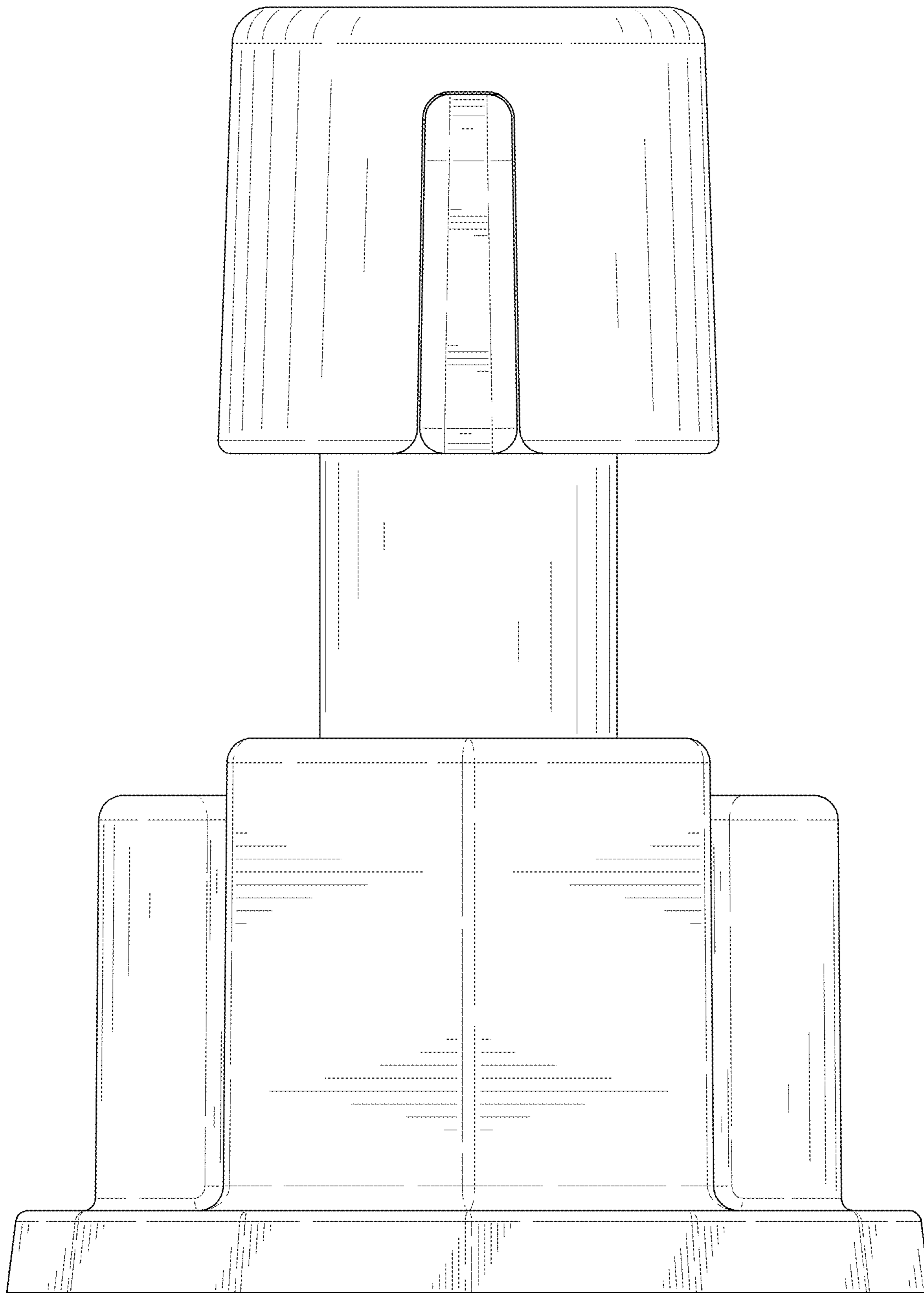


FIG. 6

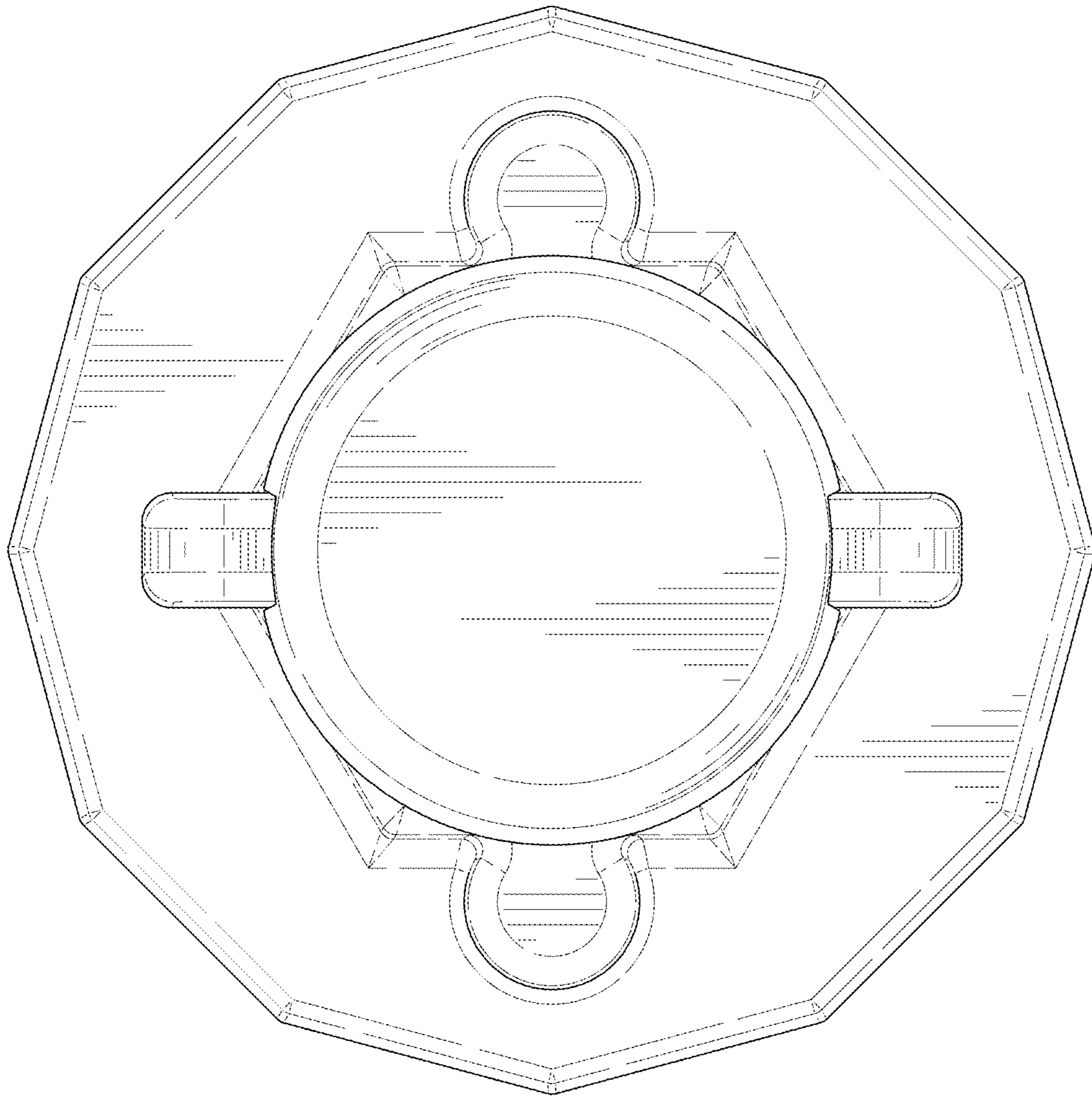


FIG. 7

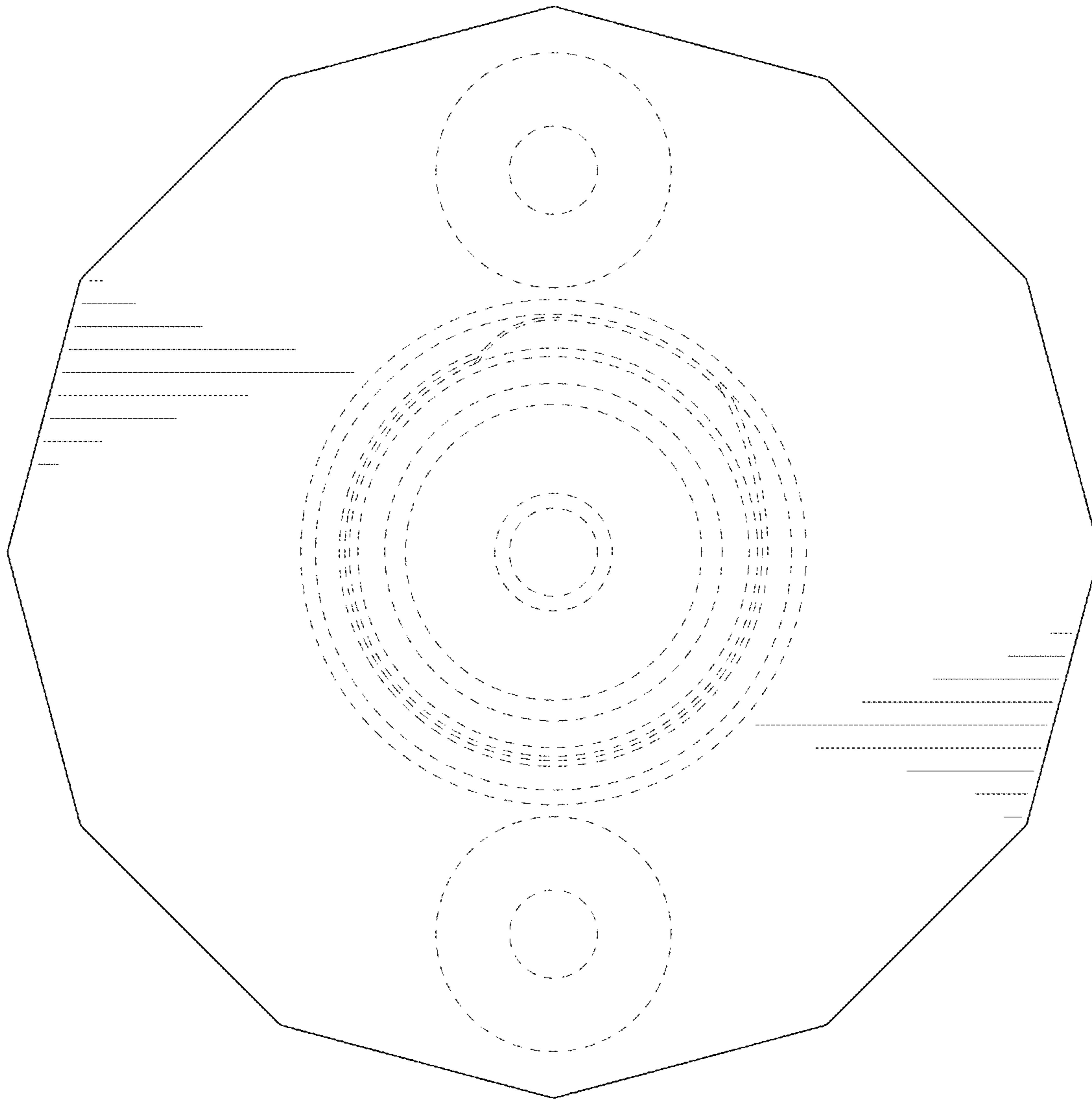


FIG. 8

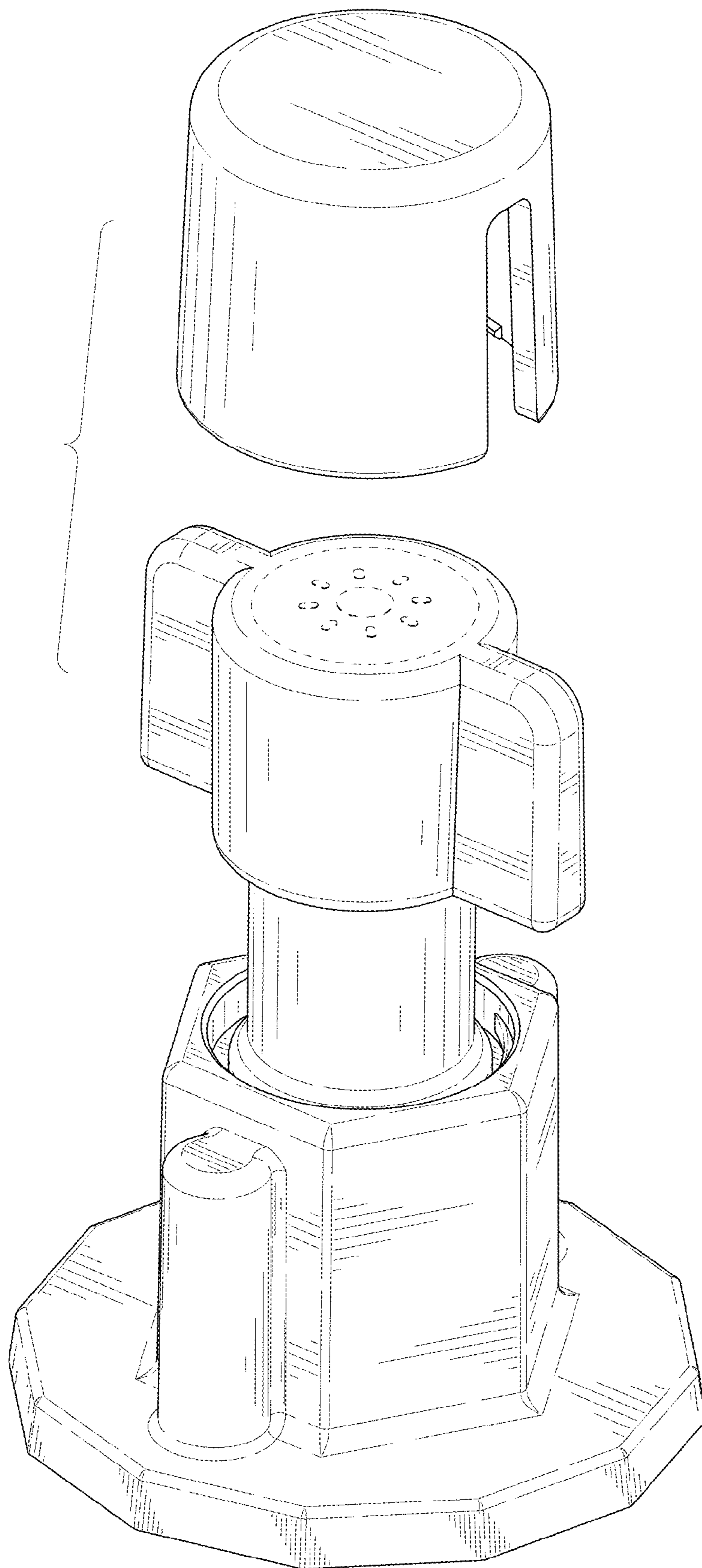


FIG. 9