



US00D982995S

(12) **United States Design Patent** (10) **Patent No.:** **US D982,995 S**
Song (45) **Date of Patent:** **** Apr. 11, 2023**

(54) **AIR PUMP WINE OPENER**

(71) Applicant: **Zhuhai Kelitong Electronic Co., Ltd.**,
Zhuhai (CN)

(72) Inventor: **Xiaoxian Song**, Zhuhai (CN)

(73) Assignee: **Zhuhai Kelitong Electronic Co., LTD.**,
Zhuhai (CN)

(**) Term: **15 Years**

(21) Appl. No.: **29/779,086**

(22) Filed: **Apr. 16, 2021**

(51) **LOC (14) Cl.** **07-06**

(52) **U.S. Cl.**
USPC **D8/42**

(58) **Field of Classification Search**
USPC D8/42; D19/115, 170
CPC B67D 1/04; B67D 1/0425; B67D
2001/0096; B67D 3/048; B67B 7/08;
B67B 3/206; B67B 1/045; B67B 7/06;
B67B 7/24

See application file for complete search history.

(56) **References Cited**

U.S. PATENT DOCUMENTS

1,739,457	A *	12/1929	Harrison	B67B 7/16 D7/671
3,085,454	A *	4/1963	Federighi	B67B 7/08 81/3.2
3,192,803	A *	7/1965	Federighi	B67B 7/08 D8/42
D252,972	S *	9/1979	Essig	D8/42
6,502,481	B1 *	1/2003	Lin	B67B 7/08 81/3.2
D562,382	S *	2/2008	Qiu	D19/170
D949,239	S *	4/2022	Bauten	D19/170
2005/0076741	A1 *	4/2005	Chan	B67B 7/08 81/3.2
2017/0129758	A1 *	5/2017	Hume	B67B 7/08
2019/0031481	A1 *	1/2019	Soussan	B67B 7/08
2022/0106176	A1 *	4/2022	Spencer	B67B 7/08

OTHER PUBLICATIONS

Cork Genius, posted Aug. 11, 2020 [online], [retrieved Aug. 31, 2022]. Retrieved from internet, https://www.amazon.com/dp/B08GMBLYC3?pd_rd_i=B08GMBLYC3&pf_rd_p=0e085ce4-a814-4f4b-b24c-1b9dbfa919e0&pf_rd_r=AP1Z4DEF1K4XT%E2%80%A6 (Year: 2020).*

* cited by examiner

Primary Examiner — Calvin E Vansant

Assistant Examiner — Benjamin Lucas Gray

(74) *Attorney, Agent, or Firm* — Avek IP, LLC

(57) **CLAIM**

The ornamental design for an air pump wine opener, as shown and described.

DESCRIPTION

FIG. 1 is a perspective view of an air pump wine opener in a closed configuration showing the new design.

FIG. 2 is a perspective view of the air pump wine opener of FIG. 1 in an open configuration.

FIG. 3 is a front view of the air pump wine opener of FIG. 1 showing a blade of the air pump wine opener in a closed configuration.

FIG. 4 is a front view of the air pump wine opener of FIG. 1 showing the blade of the air pump wine opener in an open configuration.

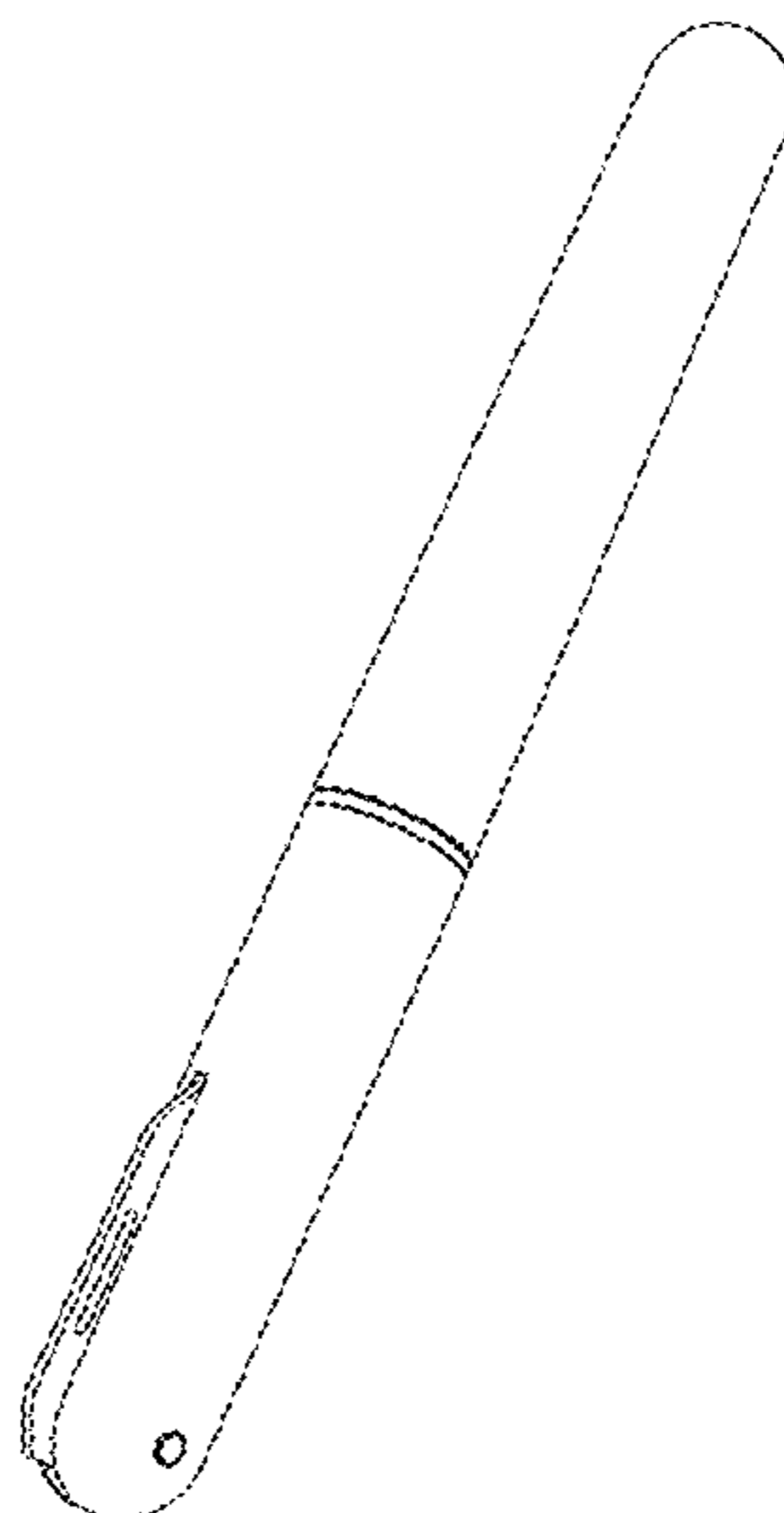
FIG. 5 is a rear view of the air pump wine opener of FIG. 1.

FIG. 6 is a side view of the air pump wine opener of FIG. 1.

FIG. 7 is an opposite side view the air pump wine opener of FIG. 1.

FIG. 8 is a top view the air pump wine opener of FIG. 1; and, FIG. 9 is a bottom view the air pump wine opener of FIG. 1.

1 Claim, 9 Drawing Sheets



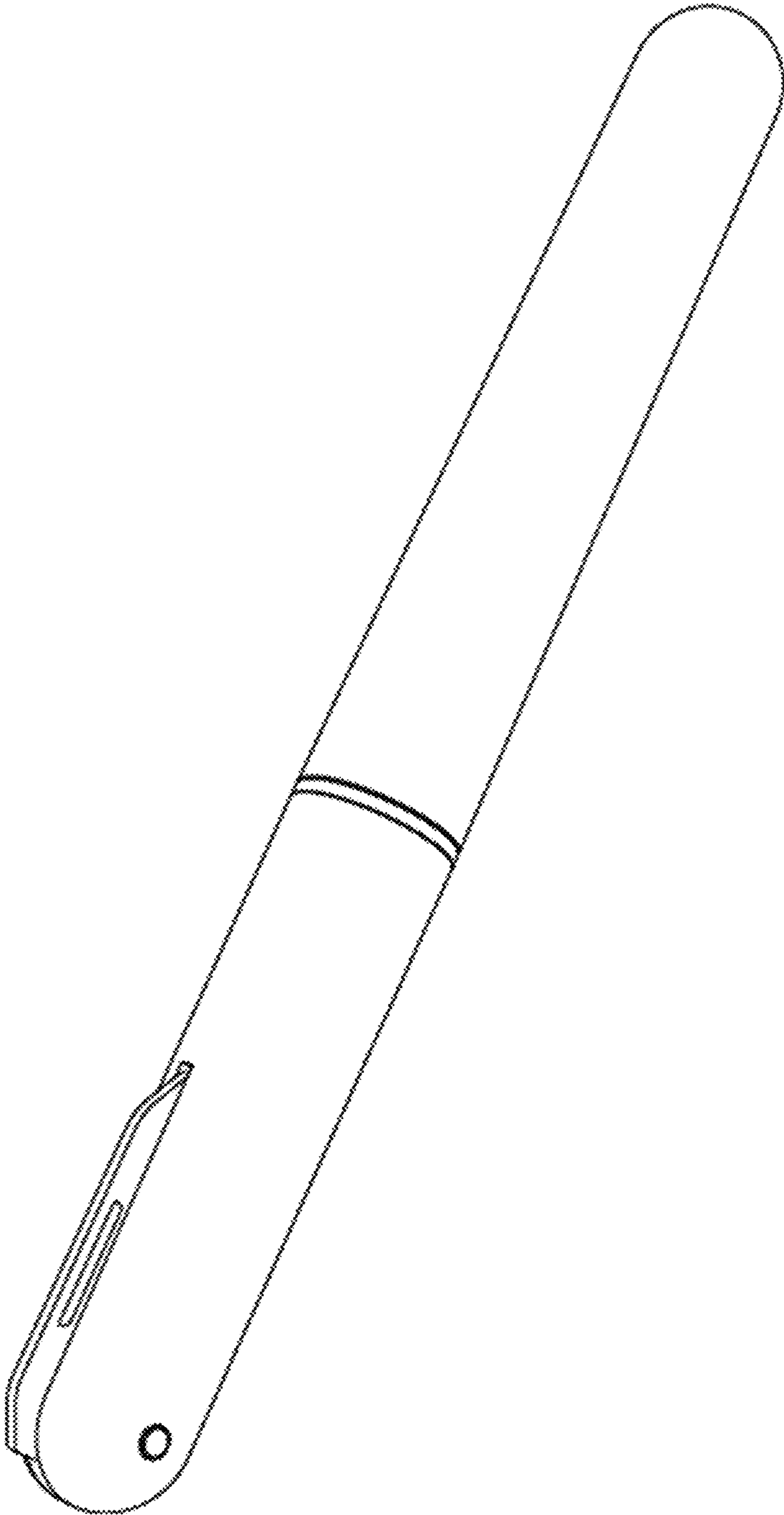


FIG. 1

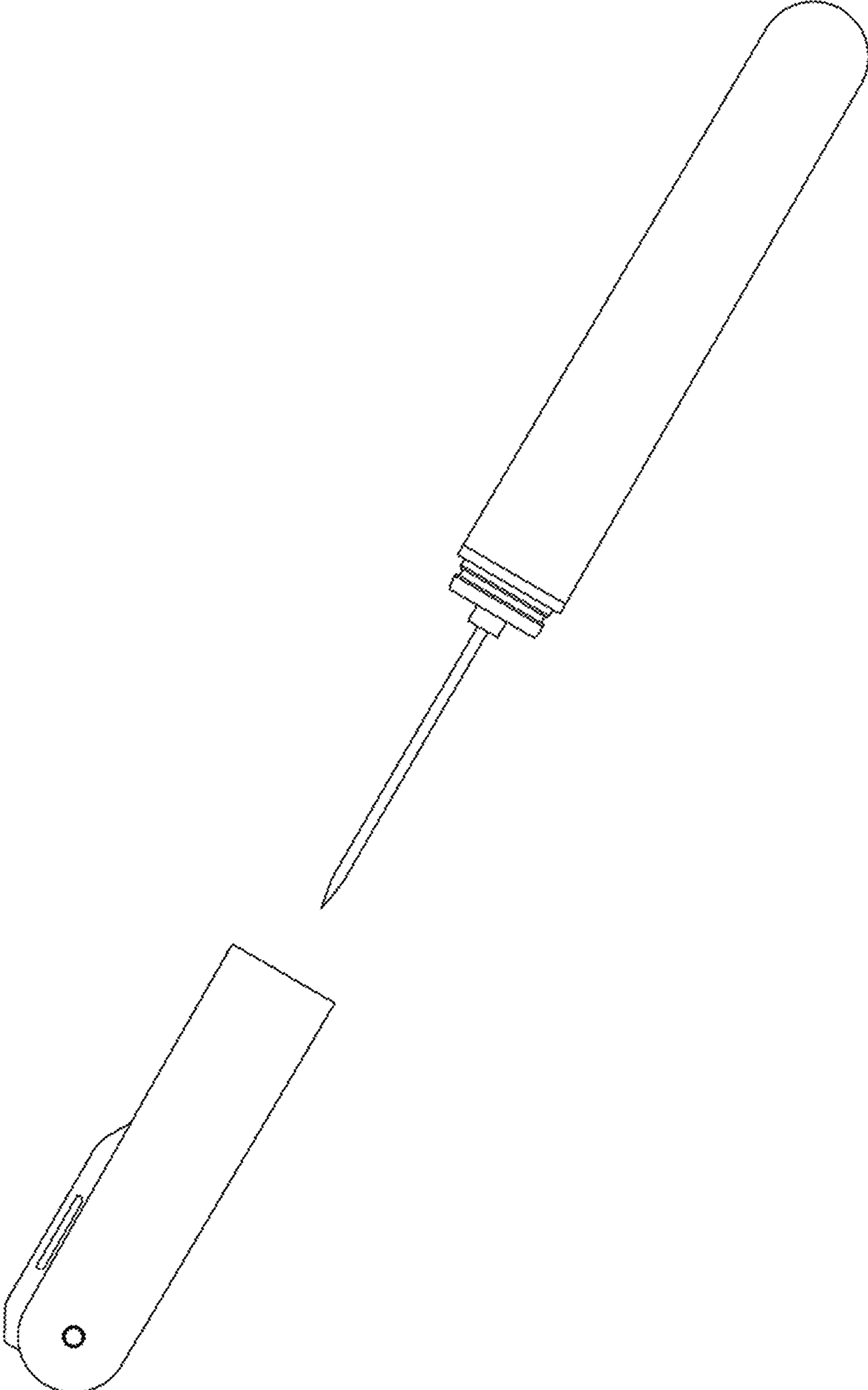


FIG. 2

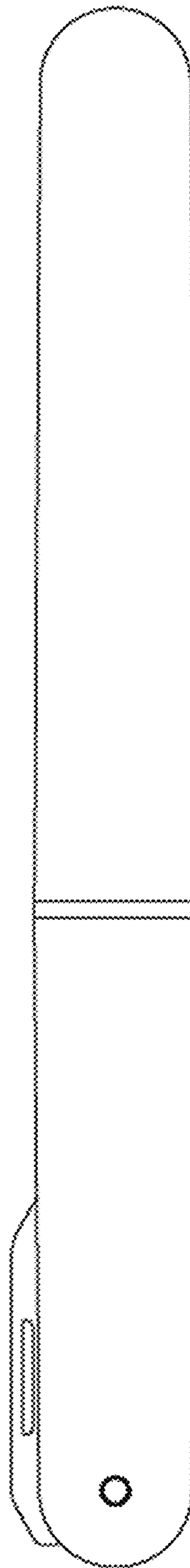


FIG. 3

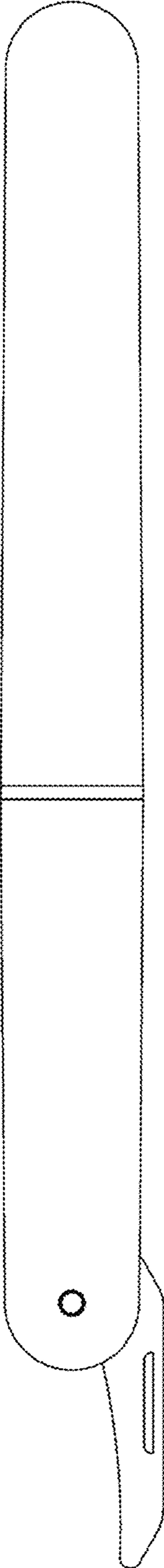


FIG. 4

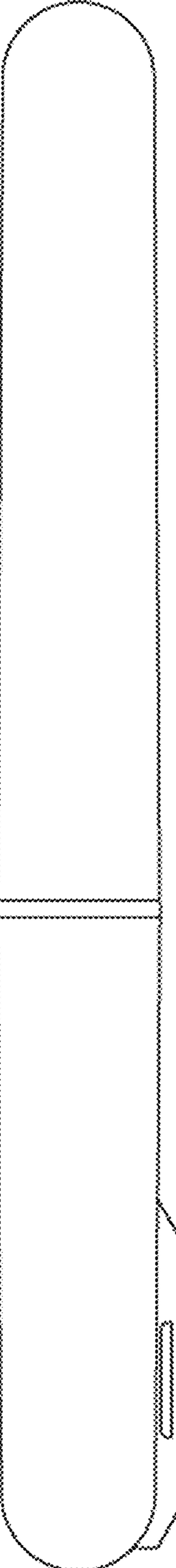


FIG. 5

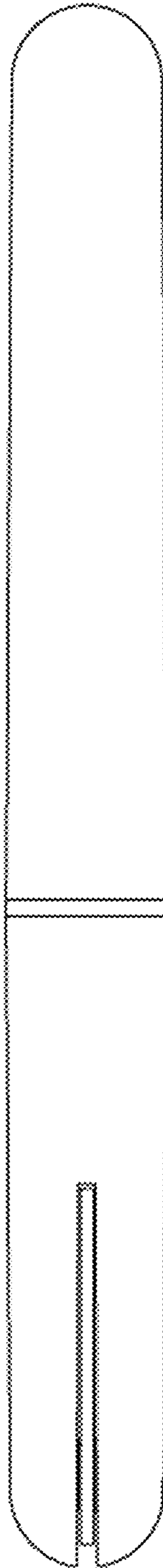


FIG. 6



FIG. 7

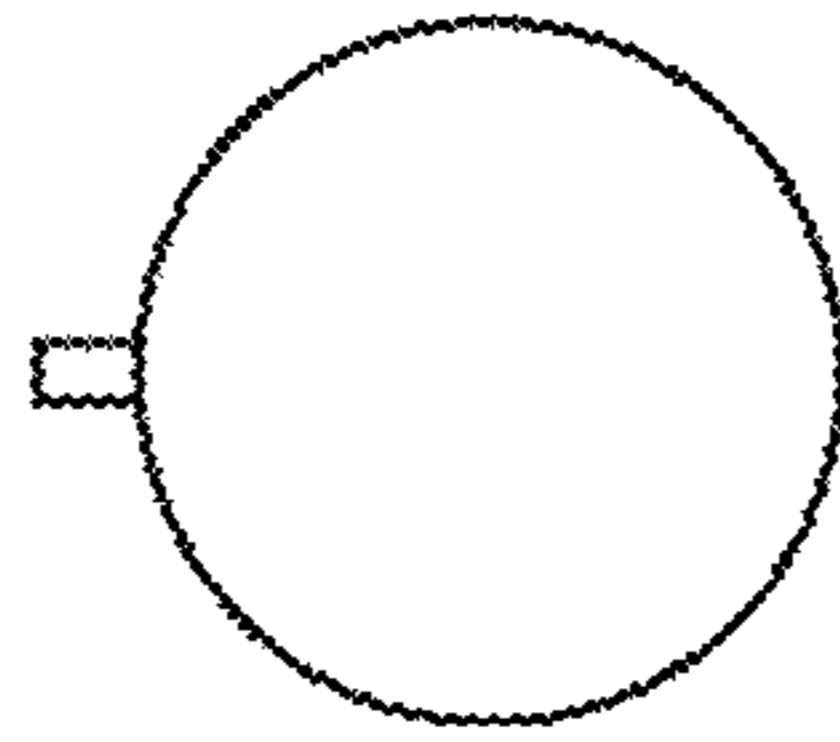


FIG. 8

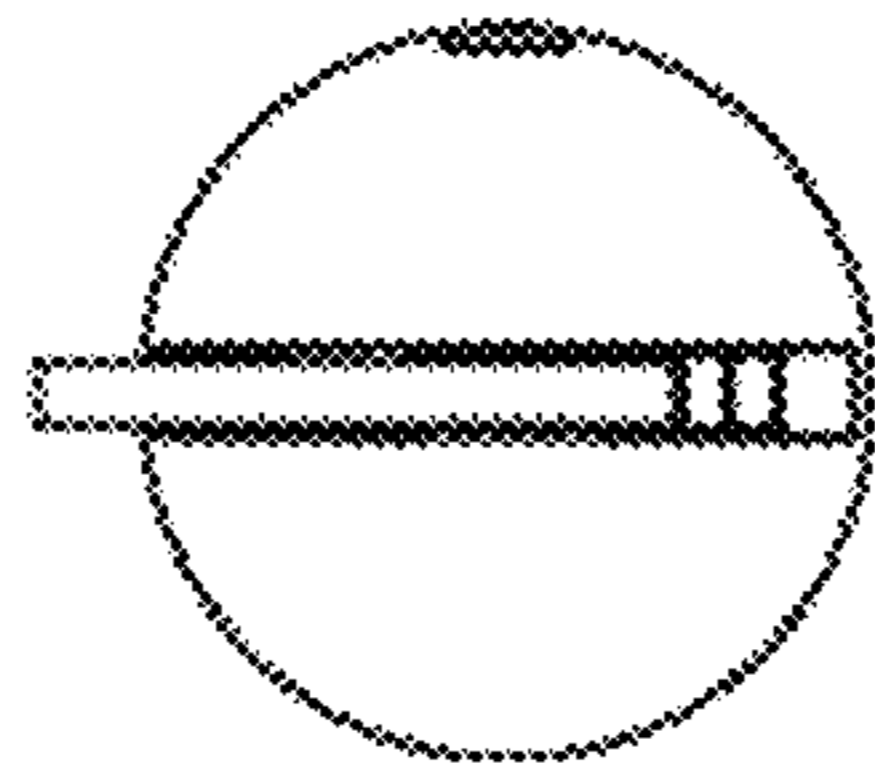


FIG. 9