



US00D982994S

(12) **United States Design Patent** (10) **Patent No.:** **US D982,994 S**
Yu (45) **Date of Patent:** **** Apr. 11, 2023**

(54) **CAR DENT REPAIR TOOL** 9,669,442 B1 * 6/2017 Alvarez B21D 1/06
D860,741 S 9/2019 Yang
D860,742 S * 9/2019 Yang B21D 1/06
D878,885 S 3/2020 Lin
D879,570 S * 3/2020 Lin D8/51
D901,267 S * 11/2020 Yan B21D 1/06
D8/51
D925,314 S * 7/2021 Müller B21D 1/12
D8/51
2002/0035863 A1 * 3/2002 Lowery B21D 1/06
72/705

(**) **Term:** **15 Years**
(21) **Appl. No.:** **29/846,647**

(22) **Filed:** **Jul. 18, 2022**
(51) **LOC (14) Cl.** **08-05**
(52) **U.S. Cl.**
USPC **D8/14; D8/51**
(58) **Field of Classification Search**
USPC D8/14, 51, 52, 75; D15/140, 199;
D34/28, 34
CPC . B21D 1/06; B21D 1/065; B21D 1/10; B21D
53/88; Y10S 72/705; F04B 37/14; F04B
11/007; B25B 11/007
See application file for complete search history.

(56) **References Cited**
U.S. PATENT DOCUMENTS
4,502,317 A * 3/1985 Hultquist B21D 1/06
72/705
D311,317 S * 10/1990 Ishihara D8/51
5,727,418 A * 3/1998 Strozier B21D 1/06
72/457
5,730,023 A * 3/1998 Gmeilbauer B21D 1/06
72/705
6,722,179 B1 * 4/2004 Ventura B21D 1/06
72/705
D495,831 S * 9/2004 Hsu D28/50
D661,960 S * 6/2012 Padula D8/30
D670,979 S * 11/2012 Chan D7/669
8,381,358 B1 * 2/2013 Frey A45F 5/10
16/444

(Continued)

OTHER PUBLICATIONS

FCHO Glass Suction Cup, by FCHO on Amazon.com. Dated Jun. 17, 2019. Found online [Sep. 21, 2022]. <https://www.amazon.com/dp/B07T59QX6K>.
Primary Examiner — Marissa J Cash
Assistant Examiner — Kayla Marie Bennett
(74) *Attorney, Agent, or Firm* — Jeenam Park

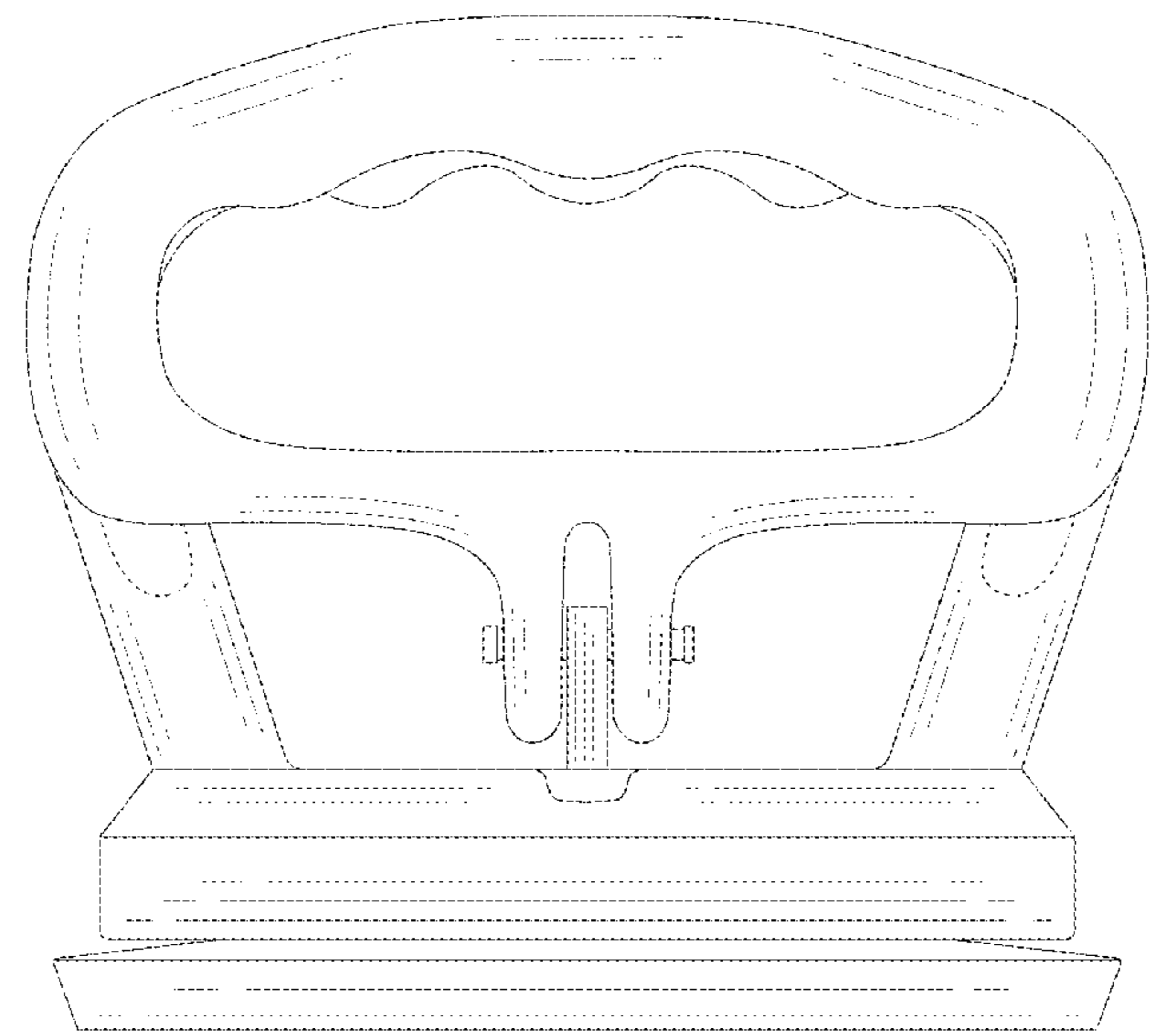
(57) **CLAIM**

The ornamental design for a car dent repair tool, as shown and described.

DESCRIPTION

FIG. 1 is a front view of a car dent repair tool, showing my new design;
FIG. 2 is a rear view thereof;
FIG. 3 is a left side view thereof;
FIG. 4 is a right side view thereof;
FIG. 5 is a top plan view thereof;
FIG. 6 is a bottom plan view thereof;
FIG. 7 is a perspective view thereof; and,
FIG. 8 is another perspective view thereof.
The broken lines in the drawings depict portions of the car dent repair tool that form no part of the claimed design.

1 Claim, 8 Drawing Sheets



(56)

References Cited

U.S. PATENT DOCUMENTS

2007/0056349 A1* 3/2007 Knowles B21D 1/06
72/705
2010/0294017 A1* 11/2010 Janversan B21D 1/06
72/458
2010/0294018 A1* 11/2010 Janversan B21D 1/06
72/459
2020/0246852 A1* 8/2020 White B21D 1/06

* cited by examiner

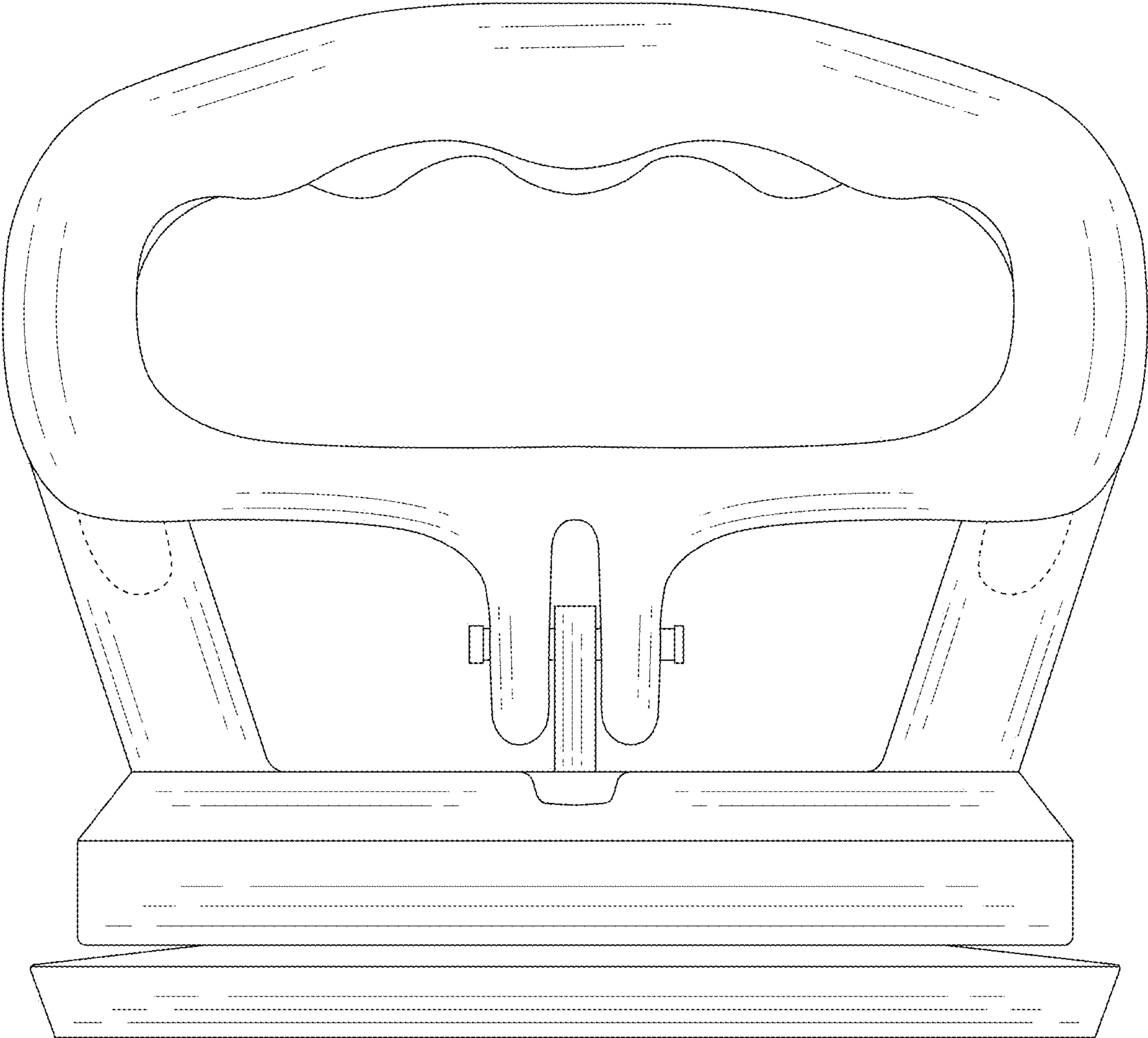


FIG. 1

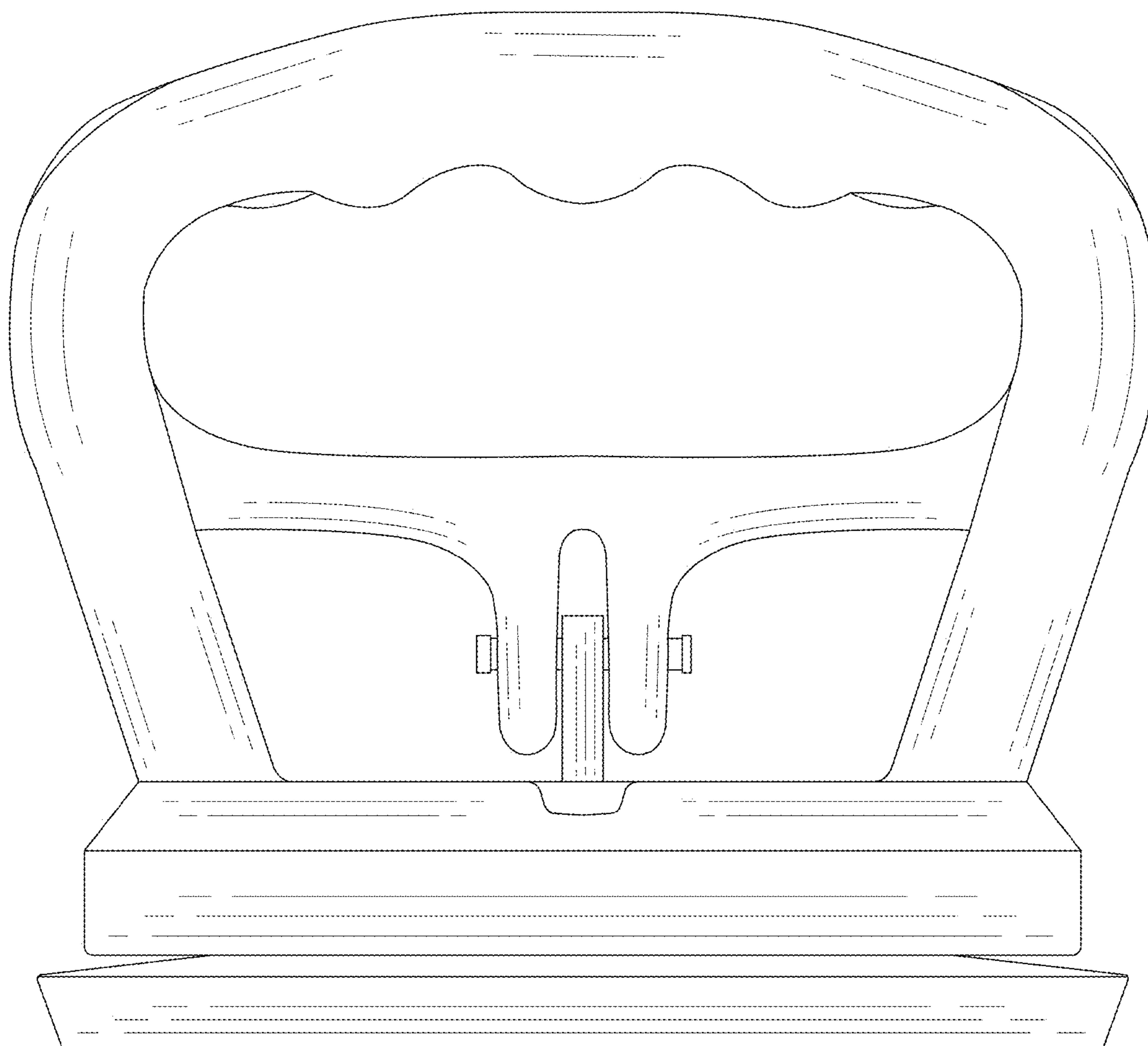


FIG. 2

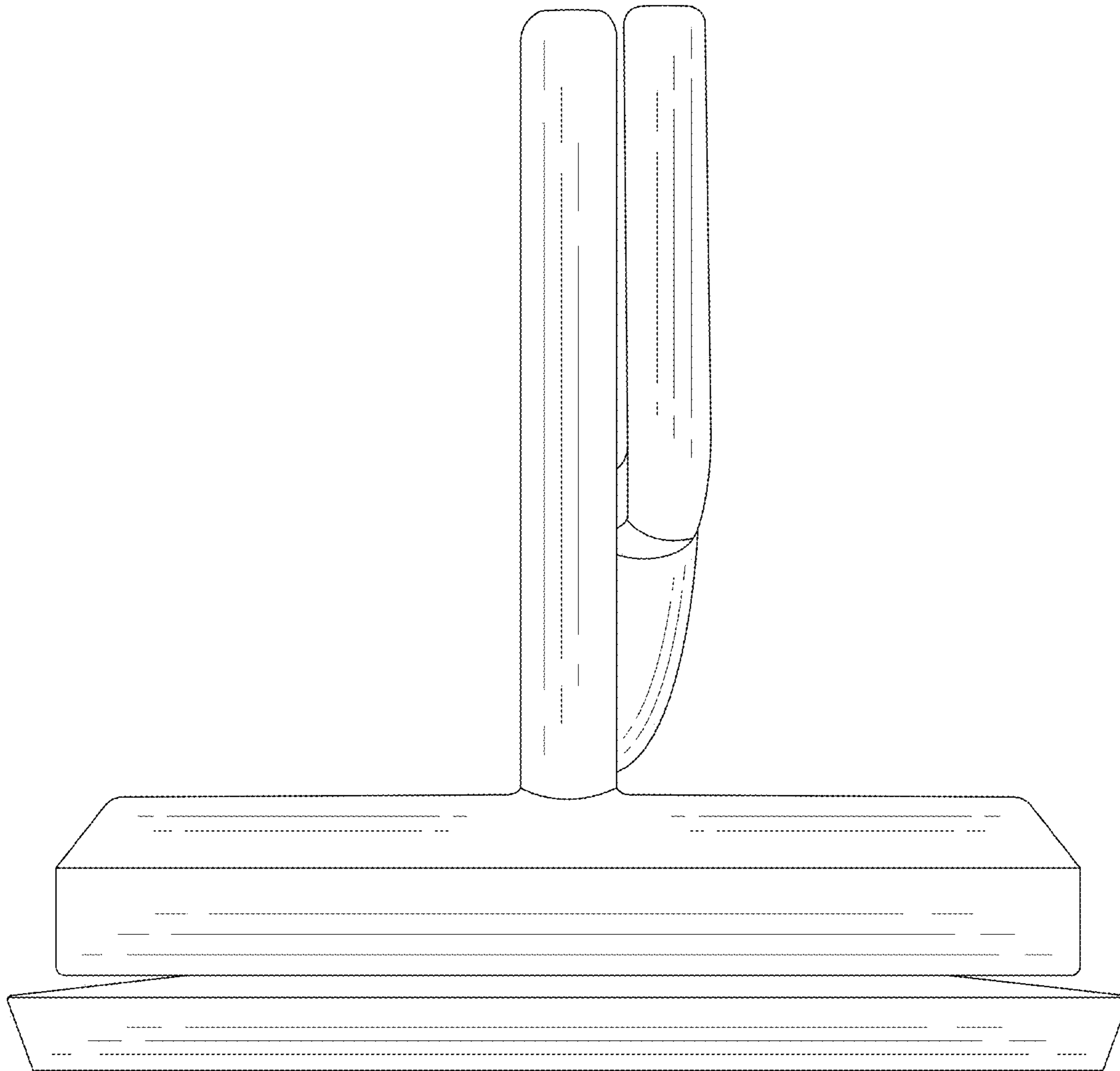


FIG. 3

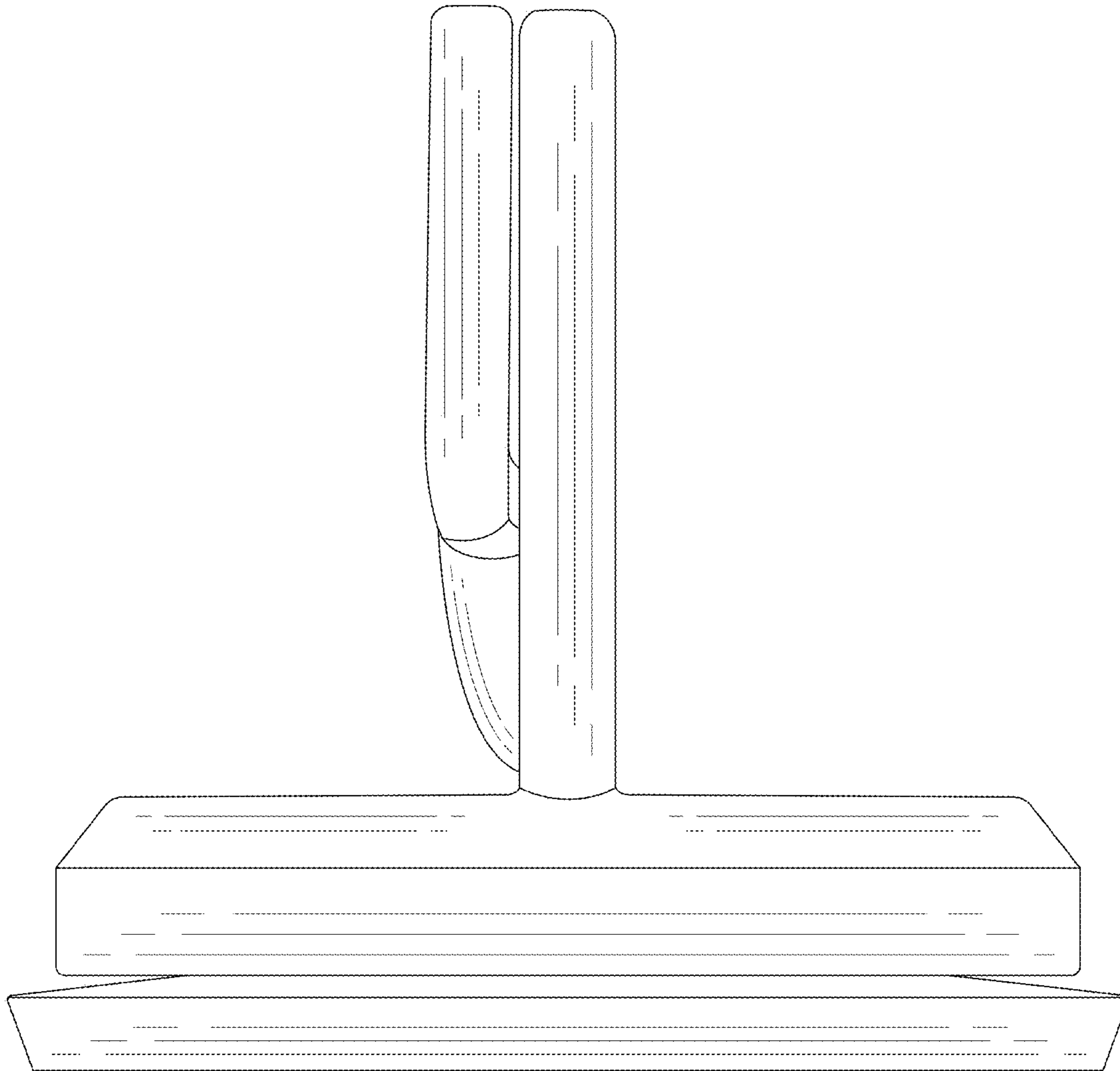


FIG. 4

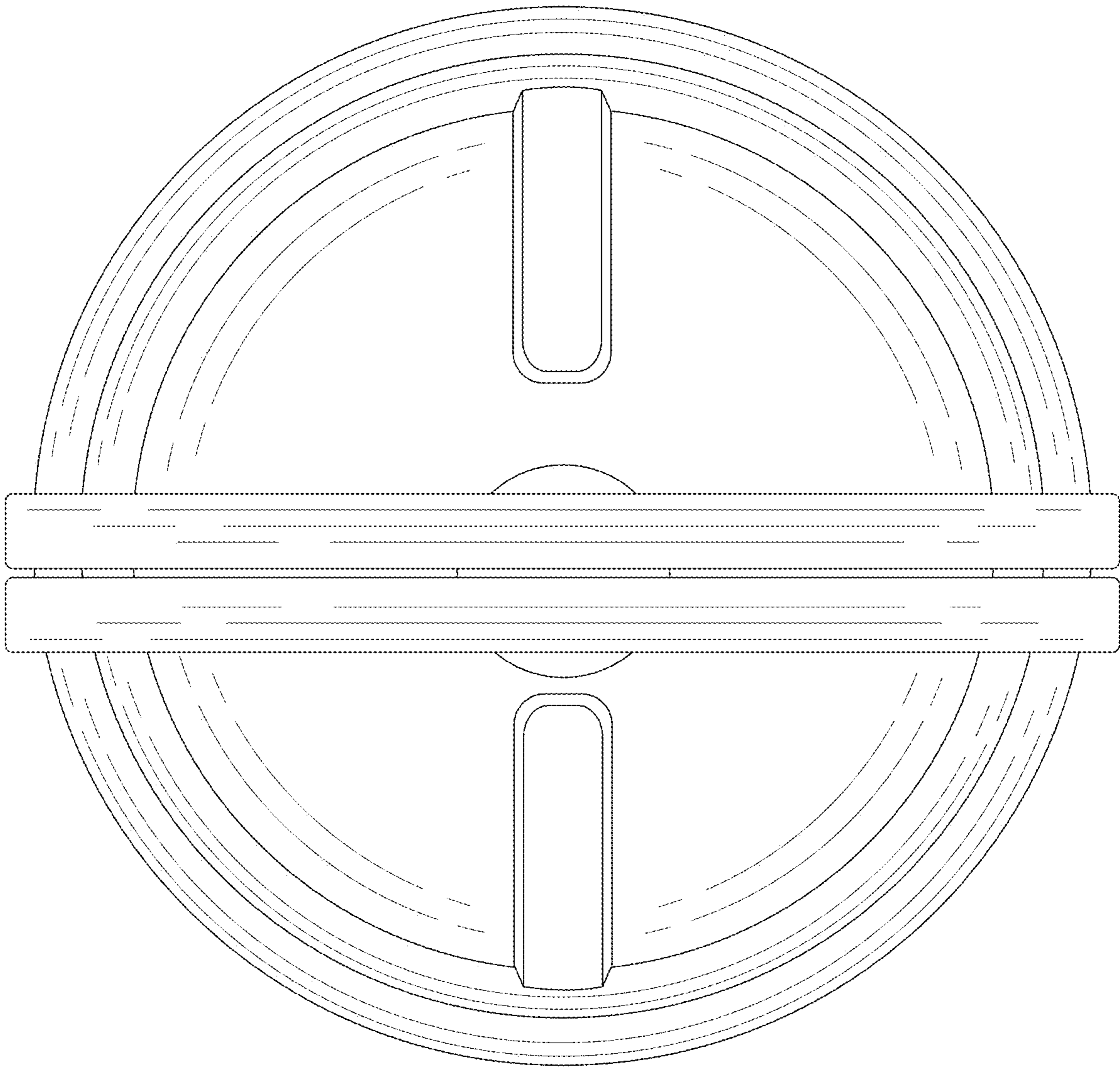


FIG. 5

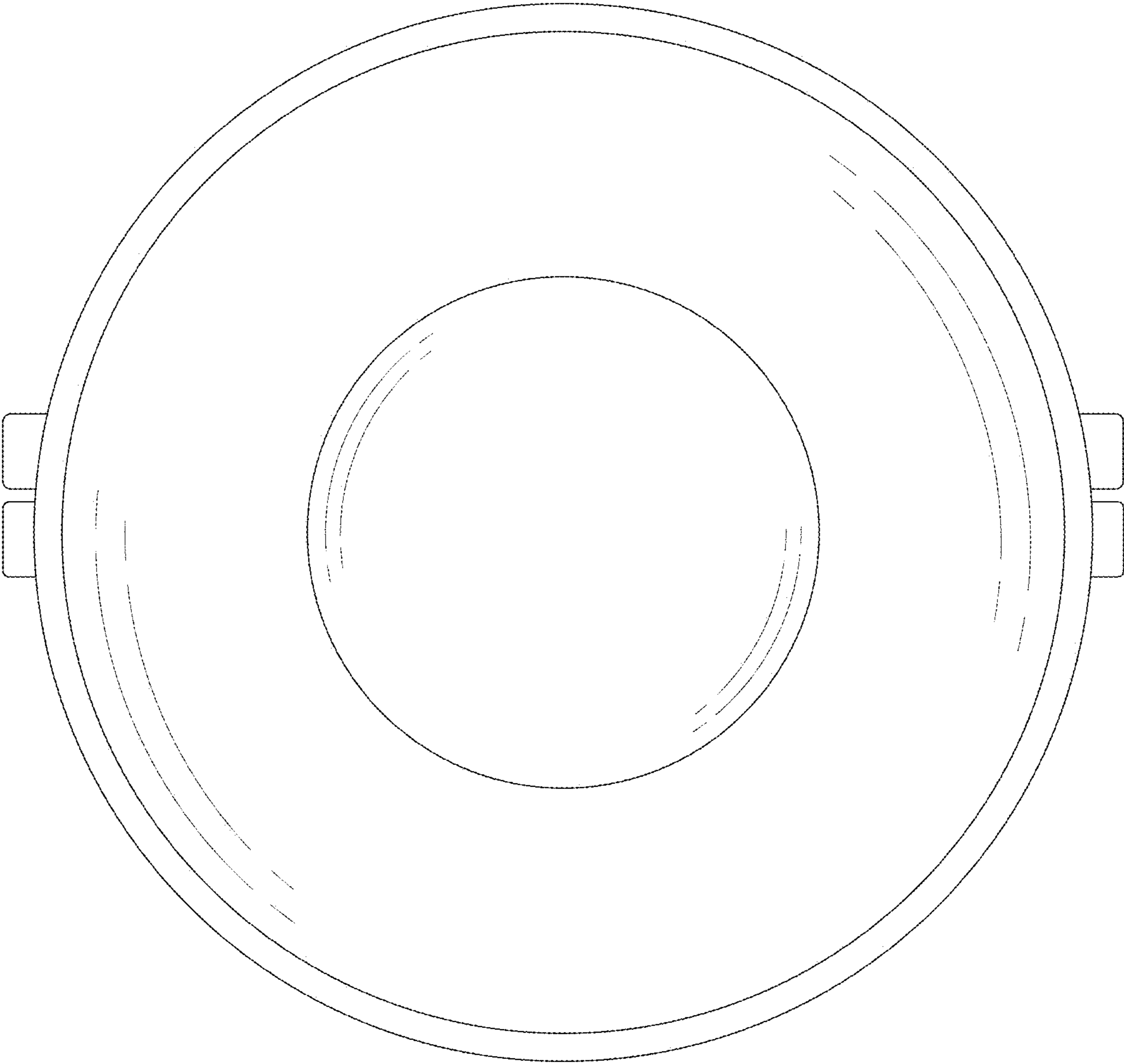


FIG. 6

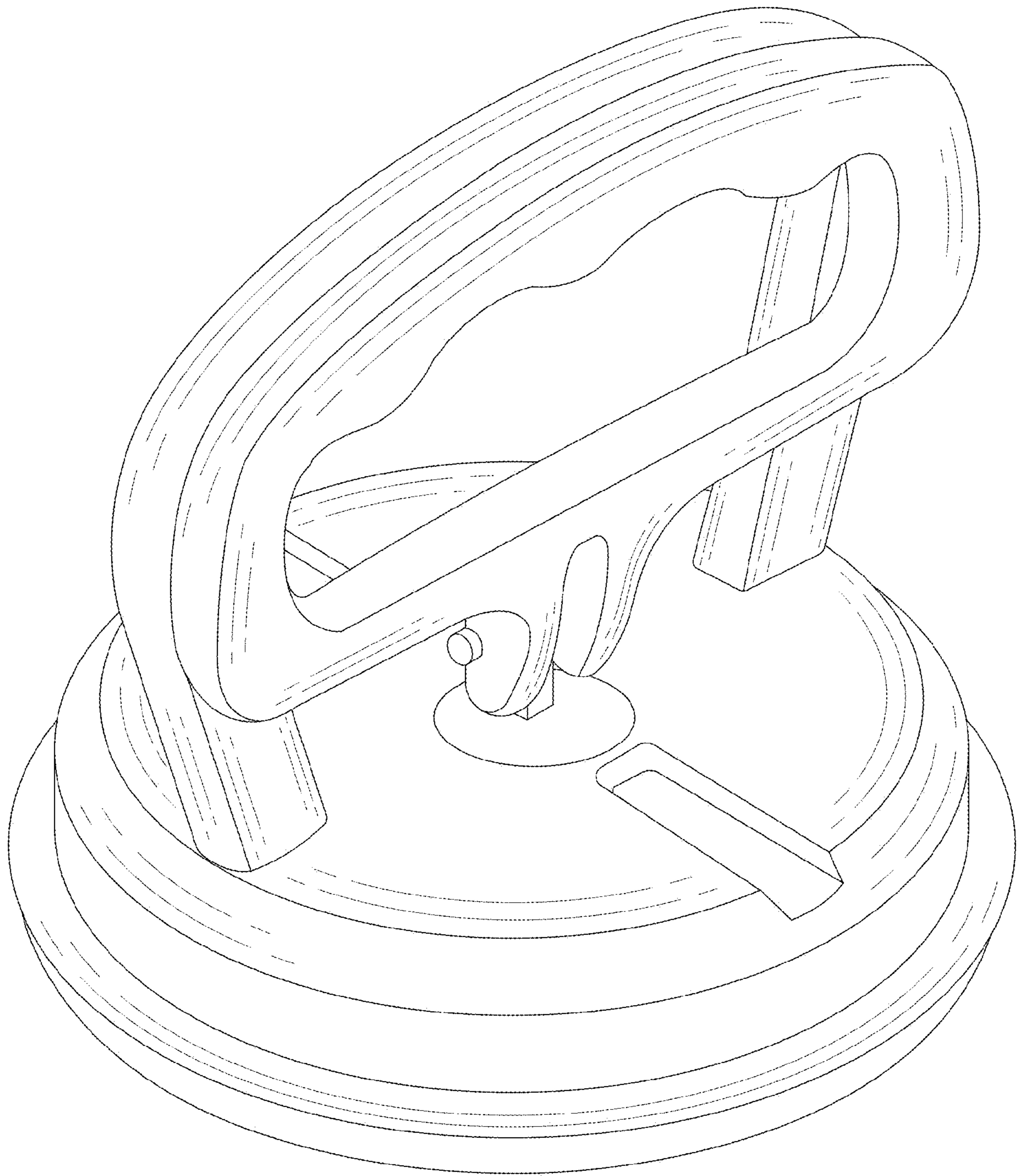


FIG. 7

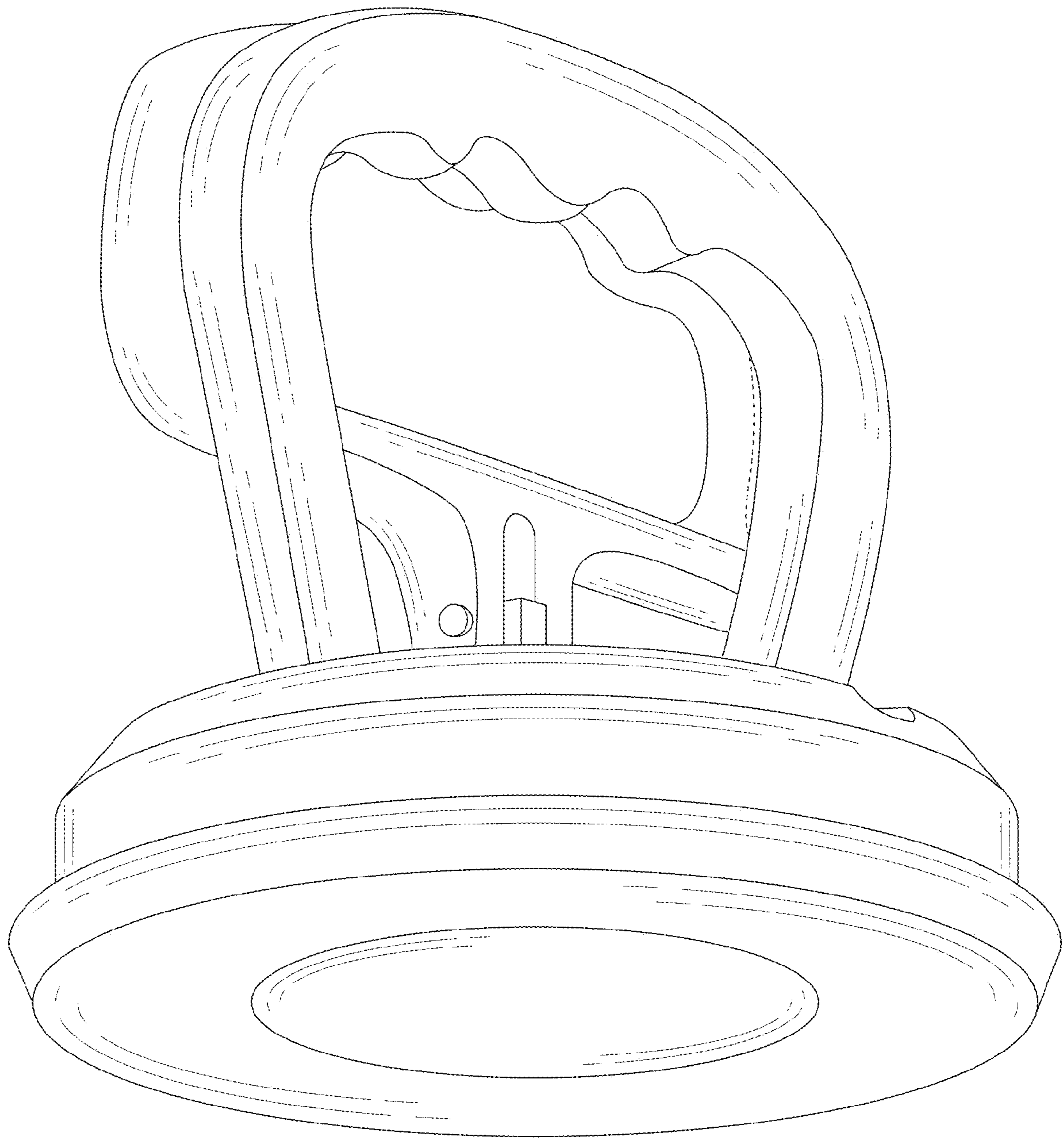


FIG. 8