



US00D982993S

(12) **United States Design Patent** (10) **Patent No.:** **US D982,993 S**  
**Liu** (45) **Date of Patent:** **\*\* Apr. 11, 2023**

(54) **GRASS WHIP**

(71) Applicant: **Fan Liu**, Suzhou (CN)

(72) Inventor: **Fan Liu**, Suzhou (CN)

(\*\*) Term: **15 Years**

(21) Appl. No.: **29/827,677**

(22) Filed: **Feb. 22, 2022**

(51) **LOC (14) Cl.** ..... **08-03**

(52) **U.S. Cl.**  
USPC ..... **D8/12**

(58) **Field of Classification Search**

USPC ..... D8/1, 4, 5, 7, 9, 11, 12, 13, 18, 20, 33,  
D8/34, 35, 36, 38, 40, 90, 92, 93, 98, 99,  
D8/100, 104, 105; D7/649, 653, 667,  
D7/683, 685, 686, 687, 692; D15/13;  
30/155, 161, 408; 7/118, 158, 113  
CPC ..... B26B 5/005; B26B 5/006; B26B 9/00;  
B26B 9/02; B67B 7/00; B67B 7/16;  
B67B 7/30; B67B 7/34; B67B 2007/303;  
B67B 2007/306; A01C 5/02; A01B 1/165;  
E21B 25/00

See application file for complete search history.

(56) **References Cited**

**U.S. PATENT DOCUMENTS**

83,290 A \* 10/1868 King ..... A01B 1/08  
172/381  
88,659 A \* 4/1869 Munger ..... A01B 1/08  
172/381  
D19,562 S \* 1/1890 Douglas ..... A01B 1/16  
172/375  
907,333 A \* 12/1908 Gesford ..... F16B 7/0486  
403/3  
926,220 A \* 6/1909 Sordi ..... F16B 12/2009  
403/245  
1,127,015 A \* 2/1915 Keeler ..... A01B 1/06  
172/372  
1,185,581 A \* 5/1916 Beymer ..... A01B 1/08  
172/381

(Continued)

**OTHER PUBLICATIONS**

True Temper 2942600 Grass Whip with Double-Edged Serrated Steel Blade; True Temper; Amazon.co.uk; Apr. 14, 2011; Accessed Aug. 5, 2022; URL:< https://www.amazon.co.uk/Companies-Inc-2942600-Temper-Hardwood/dp/B077G1TBR5?th=1 > (Year: 2011).\*

*Primary Examiner* — Rachel A. Voorhies

*Assistant Examiner* — Benjamin D. Wannemacher

(74) *Attorney, Agent, or Firm* — Che-Yang Chen; Law Office of Michael Chen

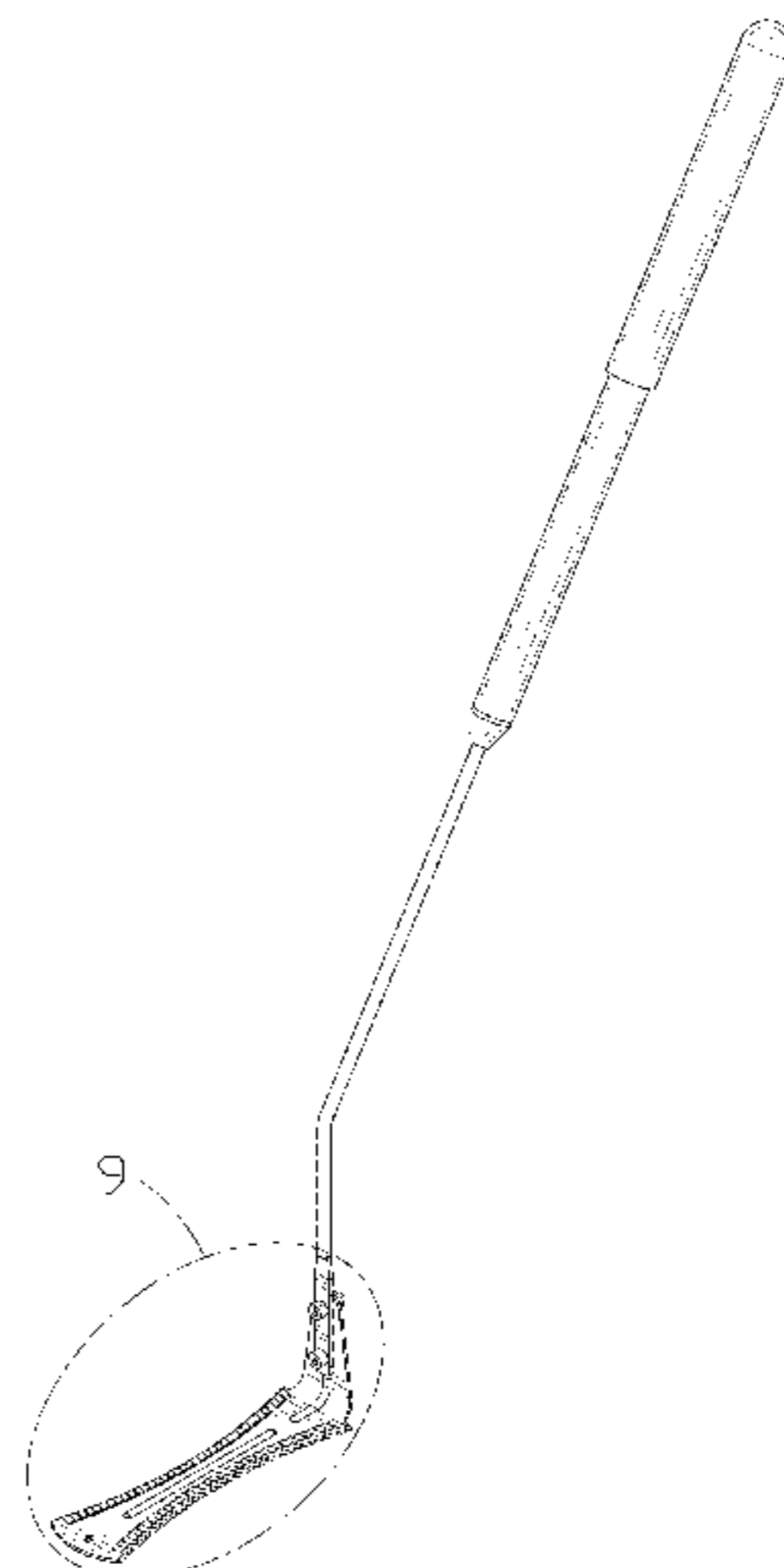
(57) **CLAIM**

The ornamental design for a grass whip, as shown and described.

**DESCRIPTION**

FIG. 1 is a perspective view of the grass whip showing my new design;  
FIG. 2 is a perspective view thereof from another angle;  
FIG. 3 is a front elevational view thereof;  
FIG. 4 is a rear elevational view thereof;  
FIG. 5 is a left side elevational view thereof;  
FIG. 6 is a right side elevational view thereof;  
FIG. 7 is a top plan view thereof;  
FIG. 8 is a bottom plan view thereof;  
FIG. 9 is a partial enlarged view of portion 9 in FIG. 1;  
FIG. 10 is a partial enlarged view of portion 10 in FIG. 2;  
and,  
FIG. 11 is a partial enlarged view of portion 11 in FIG. 2.  
The dash-dot broken lines of FIGS. 1 and 2 depict the limits of the enlarged views and form no part of the claimed design. The dash-dot lead lines in FIGS. 1 and 2 labeled 9, 10, and 11 indicate the areas from which the enlargements in FIGS. 1 and 2 are taken and form no part of the claimed design.

**1 Claim, 11 Drawing Sheets**



(56)

**References Cited**

U.S. PATENT DOCUMENTS

1,342,392	A *	6/1920	Oleen .....	A01G 20/30 172/372
1,529,781	A *	3/1925	Foster .....	A01B 1/08 30/318
1,896,441	A *	2/1933	Enderes .....	A01B 1/08 172/381
1,962,025	A *	6/1934	May .....	A01B 1/22 172/381
2,697,877	A *	12/1954	Reynolds .....	A01D 1/06 30/299
D181,828	S *	12/1957	Zappa .....	A01D 1/06 D8/11
D220,307	S *	3/1971	Liechty .....	A01B 1/08 D8/12
D225,205	S *	11/1972	Miller .....	A01B 1/08 D8/12
3,841,414	A *	10/1974	Perkins .....	A01B 1/16 30/314
D263,549	S *	3/1982	Bennett .....	A01B 1/22 D8/12
5,097,910	A *	3/1992	Traczek .....	A01B 1/12 172/381
D435,203	S *	12/2000	Roser .....	D8/9
D716,118	S	10/2014	Lee	
D867,836	S	11/2019	Juarez	
2010/0319943	A1 *	12/2010	Holdredge .....	A01B 1/08 29/428
2013/0062081	A1 *	3/2013	Gerent .....	A01B 1/22 172/381

\* cited by examiner

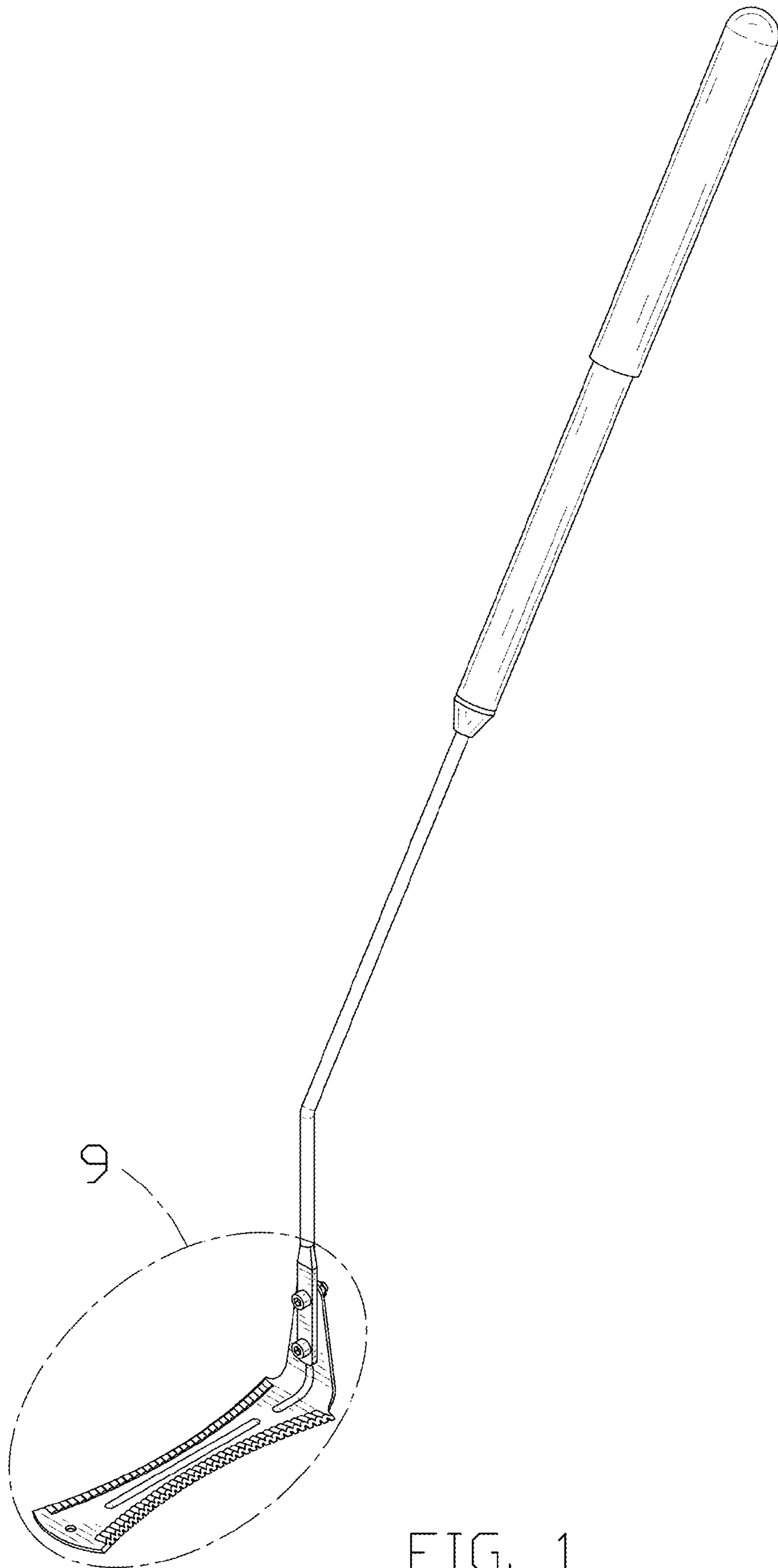


FIG. 1

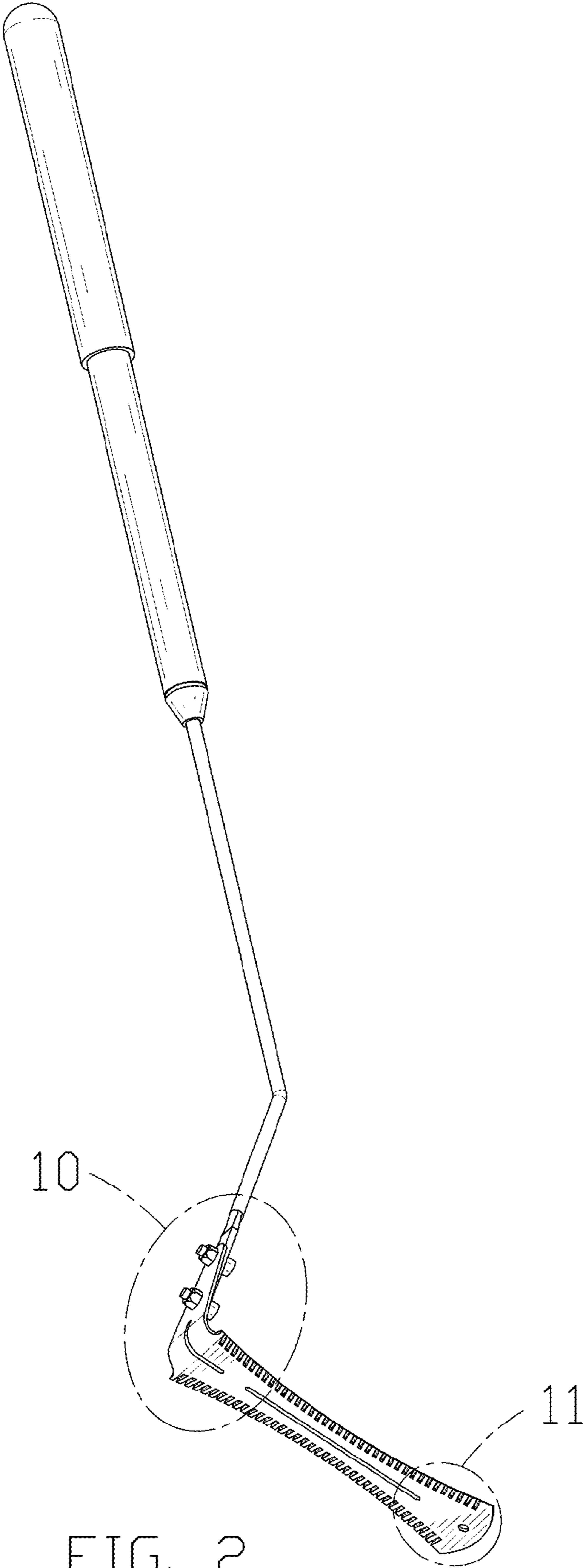


FIG. 2

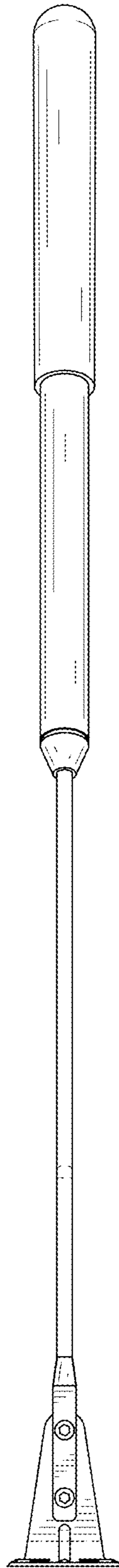


FIG. 3

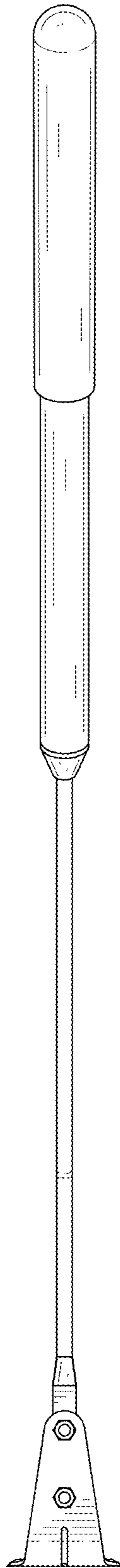


FIG. 4

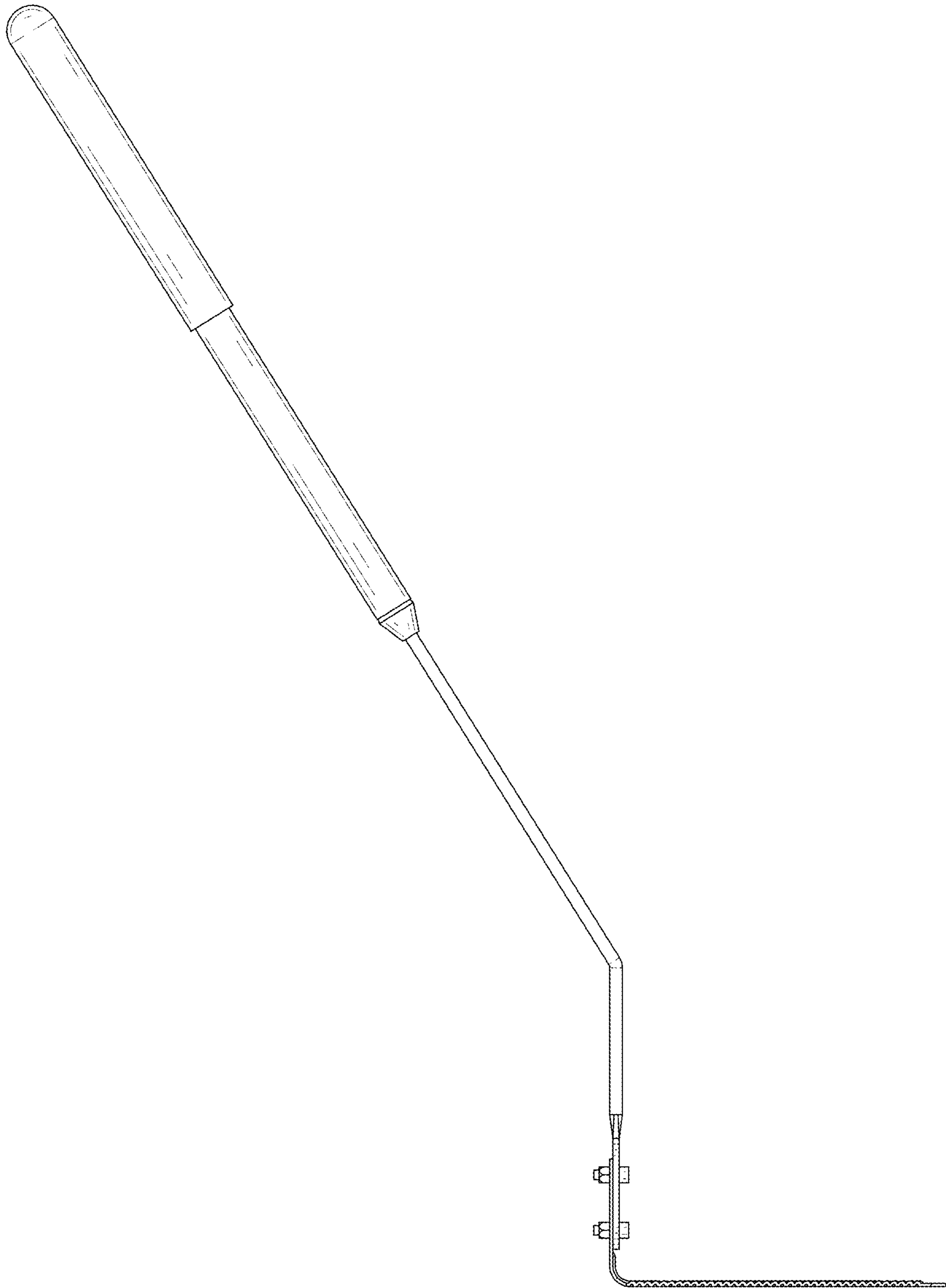


FIG. 5

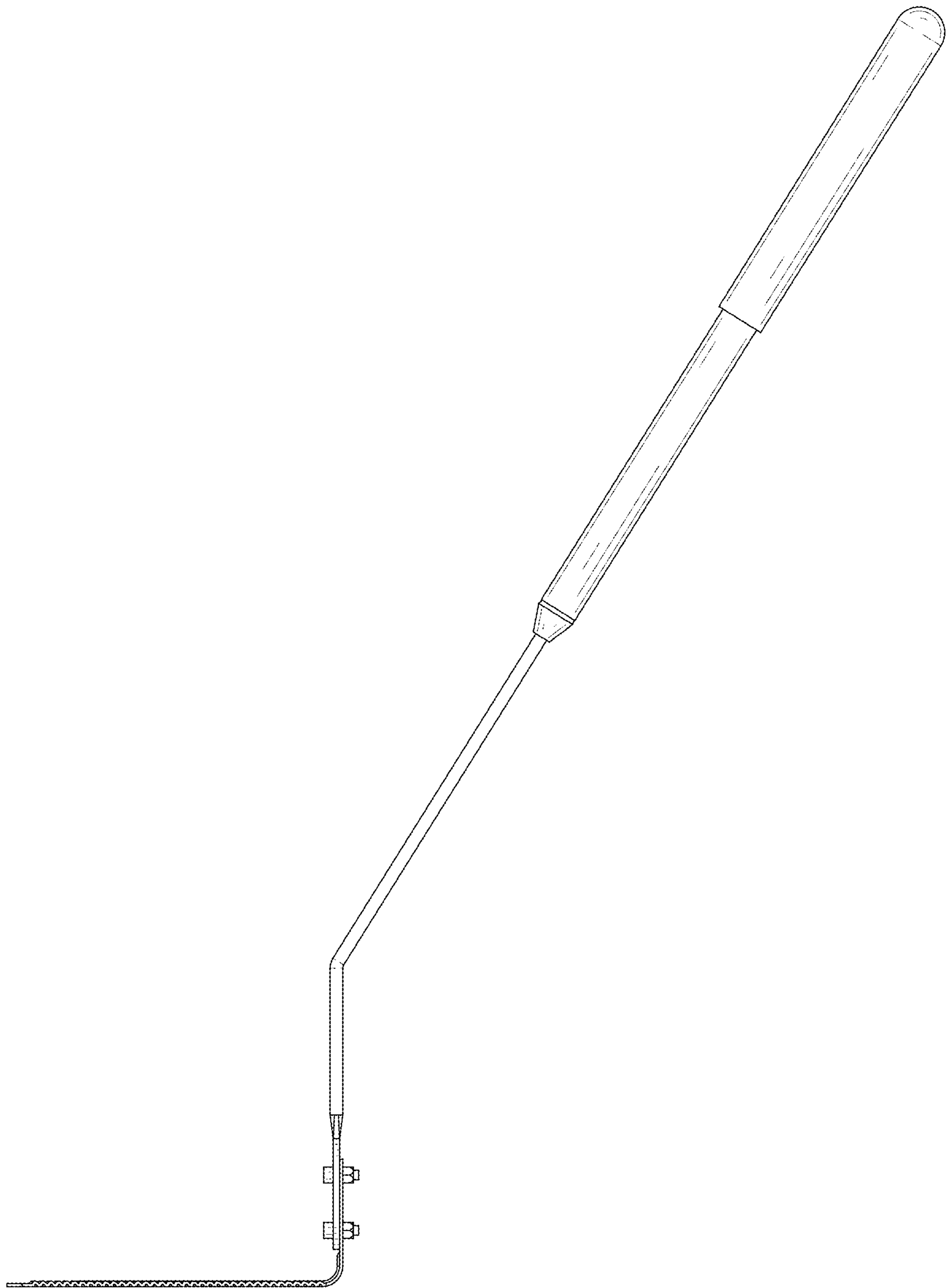


FIG. 6



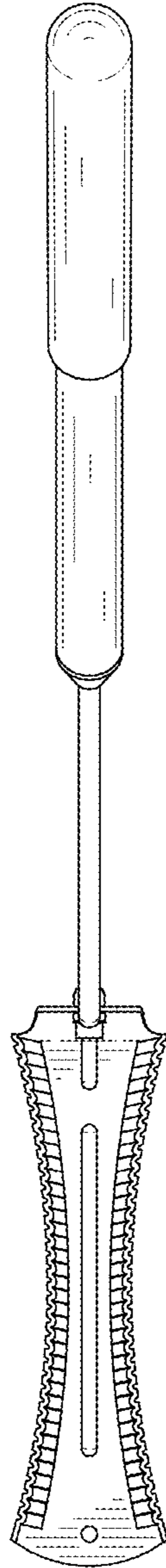


FIG. 7

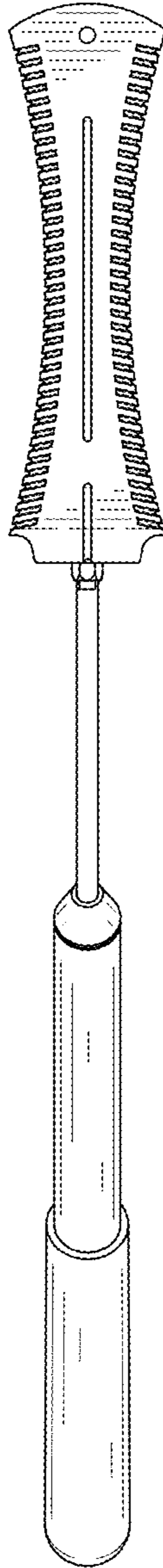


FIG. 8

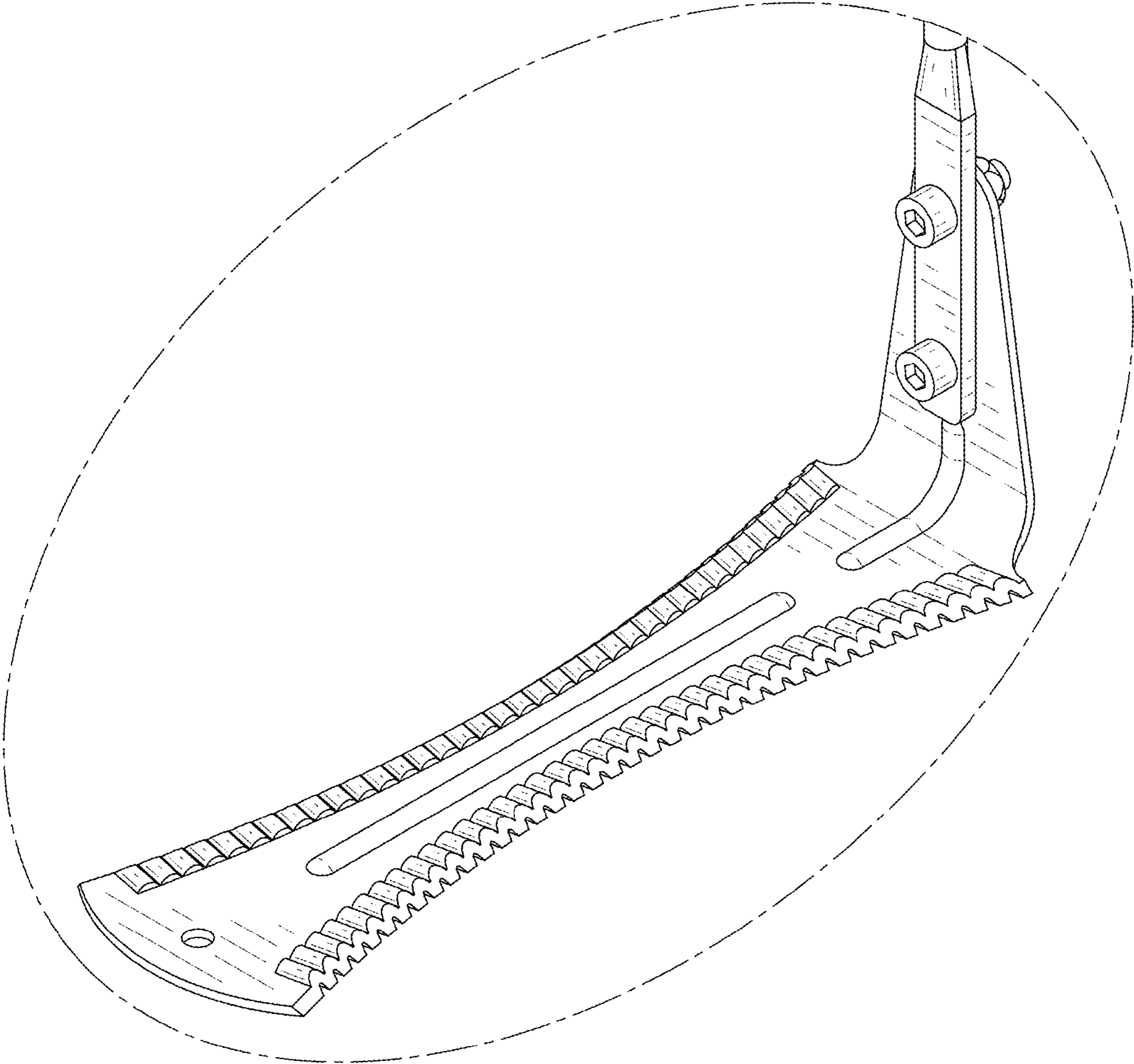


FIG. 9

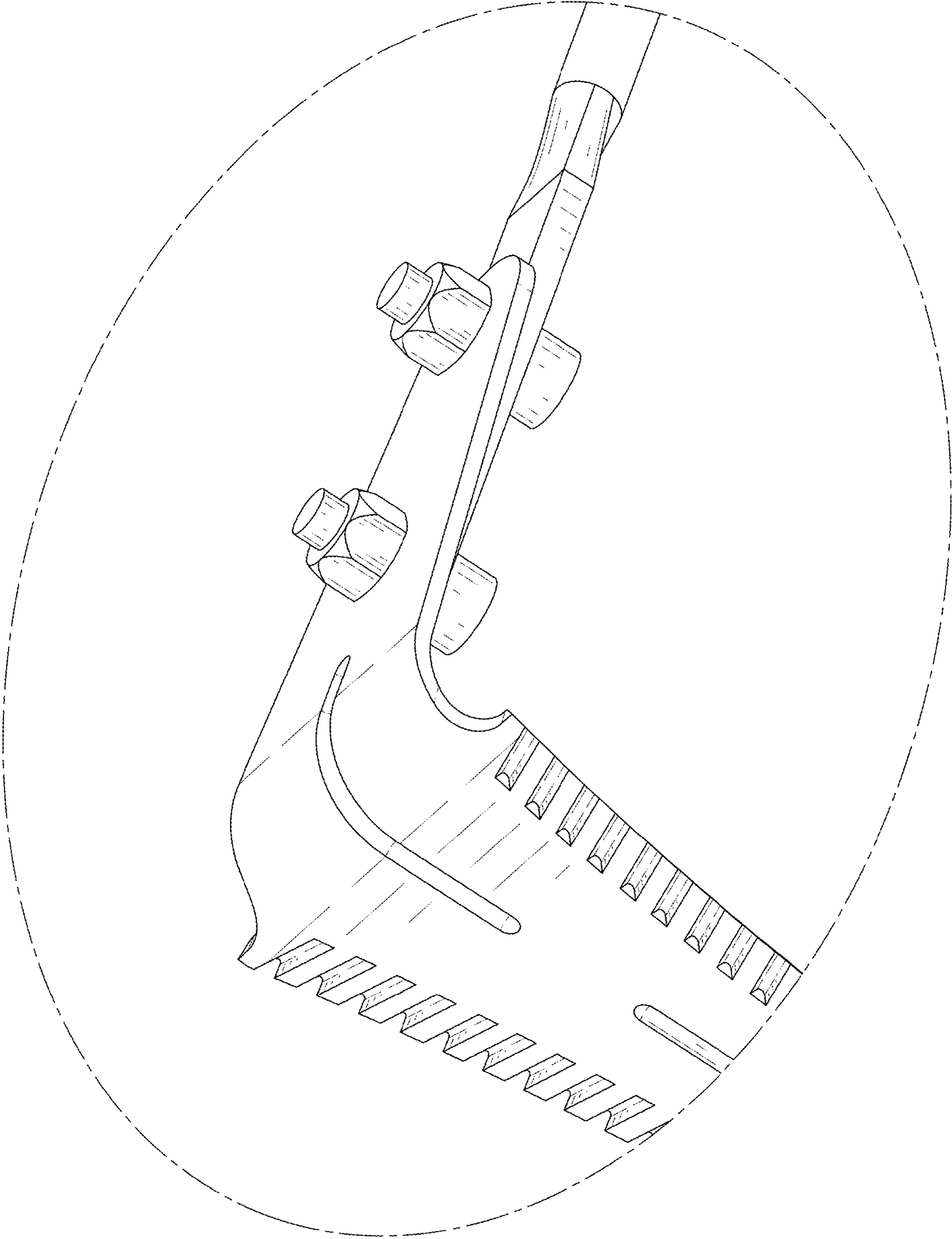


FIG. 10

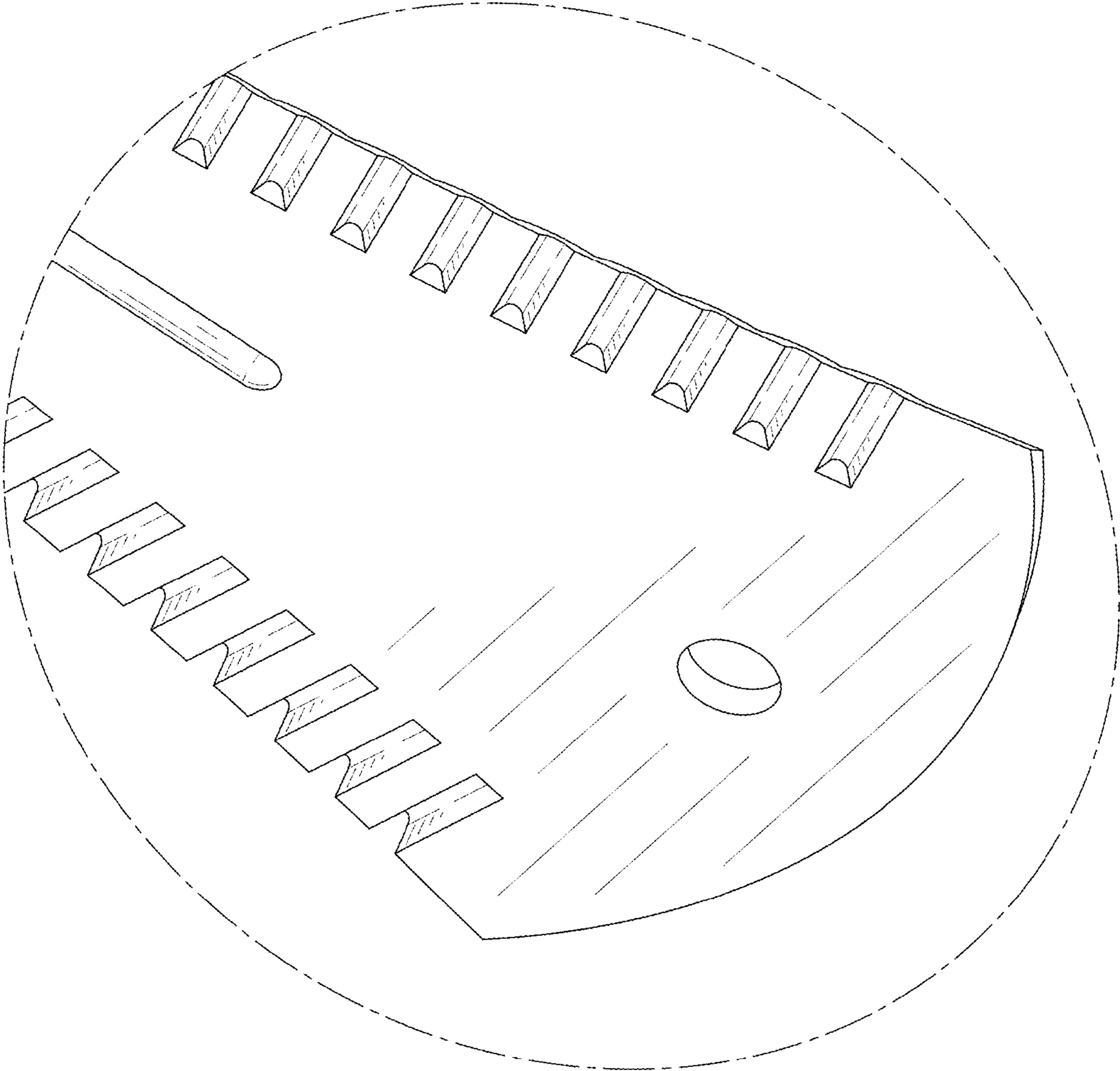


FIG. 11