



US00D982991S

(12) **United States Design Patent**
Lou

(10) **Patent No.:** **US D982,991 S**
(45) **Date of Patent:** **** Apr. 11, 2023**

(54) **ICE AUGER**

(71) Applicant: **Haiying Lou**, Jinhua (CN)

(72) Inventor: **Haiying Lou**, Jinhua (CN)

(**) Term: **15 Years**

(21) Appl. No.: **29/853,952**

(22) Filed: **Sep. 21, 2022**

(30) **Foreign Application Priority Data**

Aug. 30, 2022 (CN) 202230570023.1

(51) **LOC (14) Cl.** **08-03**

(52) **U.S. Cl.**
USPC **D8/7**

(58) **Field of Classification Search**
USPC D8/1, 7, 8, 9; D15/139; 175/18
CPC .. E21B 10/44; E21B 7/008; F25C 5/04; F25C
5/043
See application file for complete search history.

(56) **References Cited**

U.S. PATENT DOCUMENTS

123,847 A *	2/1872	Spees	E21B 10/44 175/391
153,807 A *	8/1874	Collins	E21B 10/44 175/323
161,374 A *	3/1875	Arnold	E21B 10/44 175/388
228,044 A *	5/1880	Dine	E21B 10/44 175/388
641,960 A *	1/1900	Herfert	E21B 11/005 175/316
646,538 A *	4/1900	Haun	E21B 27/00 175/242
664,902 A *	1/1901	Scott	E21B 25/00 175/309
732,479 A *	6/1903	Wheeler	E21B 7/003 175/286

957,128 A *	5/1910	Vesey	E21B 11/005 175/241
1,116,154 A *	11/1914	Stowers	E21B 17/22 175/323
2,401,250 A *	5/1946	Kandle	E21B 10/44 175/242

(Continued)

FOREIGN PATENT DOCUMENTS

CN 307187931 * 3/2022

OTHER PUBLICATIONS

Jayzod Ice Drill Auger,7.5" Diameter Stainless Steel Ice Auger Dual-Purpose for Gas Powered Pose Hole Digger and Spade Handle Drill with 4pcs Sharp Blades,14" Adjustable Extension Rod and Accessories; Jayzod; Amazon.com; Aug. 20, 2022; Accessed Nov. 4, 2022; URL<<https://www.amazon.com/dp/B0BB97BFYS>> (Year: 2022).*

Primary Examiner — Rachel A. Voorhies
Assistant Examiner — Benjamin D. Wannemacher

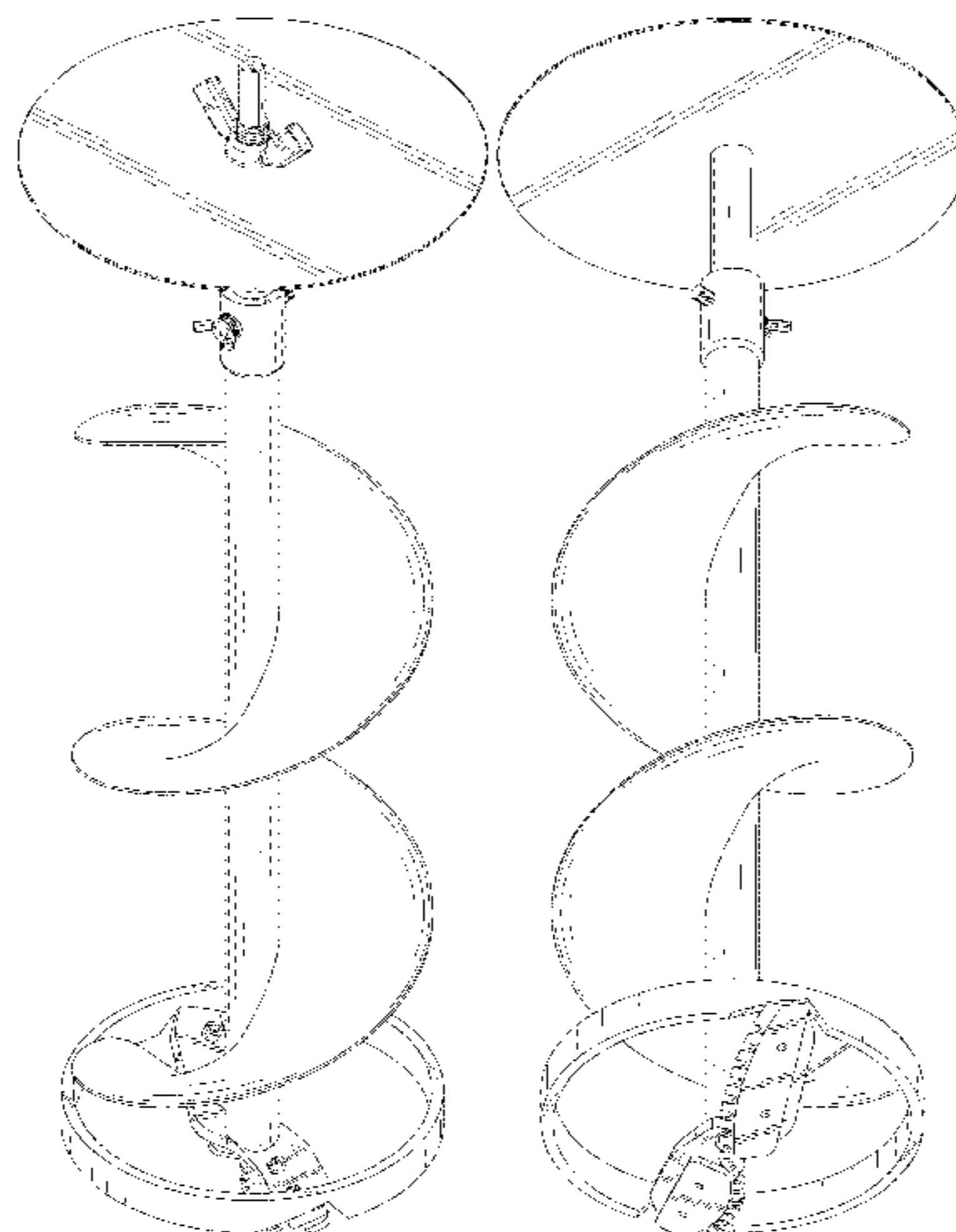
(57) **CLAIM**

The ornamental design for an ice auger, as shown and described.

DESCRIPTION

FIG. 1 is a front, right, and top perspective view of an ice auger, showing my new design;
FIG. 2 is a rear, left, and bottom elevation view thereof;
FIG. 3 is a front elevation view thereof;
FIG. 4 is a rear view thereof;
FIG. 5 is a left side elevation view thereof;
FIG. 6 is a right side elevation view thereof;
FIG. 7 is a top plan view thereof;
FIG. 8 is a bottom plan view thereof; and,
FIG. 9 is a front, right, and top perspective view of FIG. 1 in an alternate extended configuration.

(Continued)



The broken lines shown in the drawings are included for the purpose of illustrating portions of the ice auger that form no part of the claimed design.

1 Claim, 9 Drawing Sheets

(56)

References Cited

U.S. PATENT DOCUMENTS

2,666,623 A * 1/1954 Johnson F25C 5/043
175/323
2,709,572 A * 5/1955 Ageborn E21B 7/008
175/320
2,912,228 A * 11/1959 Kandle E21B 10/44
175/391
3,026,953 A * 3/1962 Pettee A01C 5/04
175/385
3,032,126 A * 5/1962 Rexine E21B 10/44
175/18
3,051,253 A * 8/1962 McCann A01K 97/01
175/18
3,080,006 A * 3/1963 Brolin F25C 5/043
175/18
3,129,775 A * 4/1964 Connelly E21B 11/005
175/394
3,178,210 A * 4/1965 Dickinson E21B 17/22
175/323
D208,416 S * 8/1967 Sudmeier D8/8
3,387,674 A * 6/1968 Watson E21B 10/44
175/392
4,074,780 A * 2/1978 Gilbert E21B 10/44
175/323
D267,405 S * 12/1982 Wilson D8/8

4,364,441 A * 12/1982 Geeting E21B 10/44
175/84
4,756,129 A * 7/1988 Webb E02D 5/801
52/157
5,038,870 A * 8/1991 Kuronen E21B 7/008
175/323
D368,211 S * 3/1996 Skold D8/1
D381,892 S * 8/1997 Porter D8/387
5,685,382 A * 11/1997 Deeter E21B 7/005
175/122
D546,167 S * 7/2007 Noethe D8/387
D624,569 S * 9/2010 Norling D15/139
D635,599 S * 4/2011 Furseth D15/139
D711,201 S 8/2014 Mäkipelto et al.
9,270,152 B2 * 2/2016 Schamberger E21B 7/005
D8/8
D856,386 S * 8/2019 Banjo E02D 5/801
52/157
D942,517 S 2/2022 Li
D943,650 S 2/2022 Li
2005/0205298 A1 * 9/2005 Kollasch F25C 5/04
175/18
2005/0247544 A1 * 11/2005 Chesack B65G 45/14
198/494
2006/0254818 A1 * 11/2006 Pepple A01K 97/01
175/18
2012/0151704 A1 * 6/2012 White A47G 21/04
15/236.05
2012/0318577 A1 * 12/2012 Ruppel E21B 11/005
D15/139
2015/0361724 A1 * 12/2015 Feldmann F02M 21/0233
D8/8
2017/0298695 A1 * 10/2017 Kluge E21B 10/44
D8/387
2019/0032412 A1 * 1/2019 Banjo E21B 7/008
D8/387

* cited by examiner

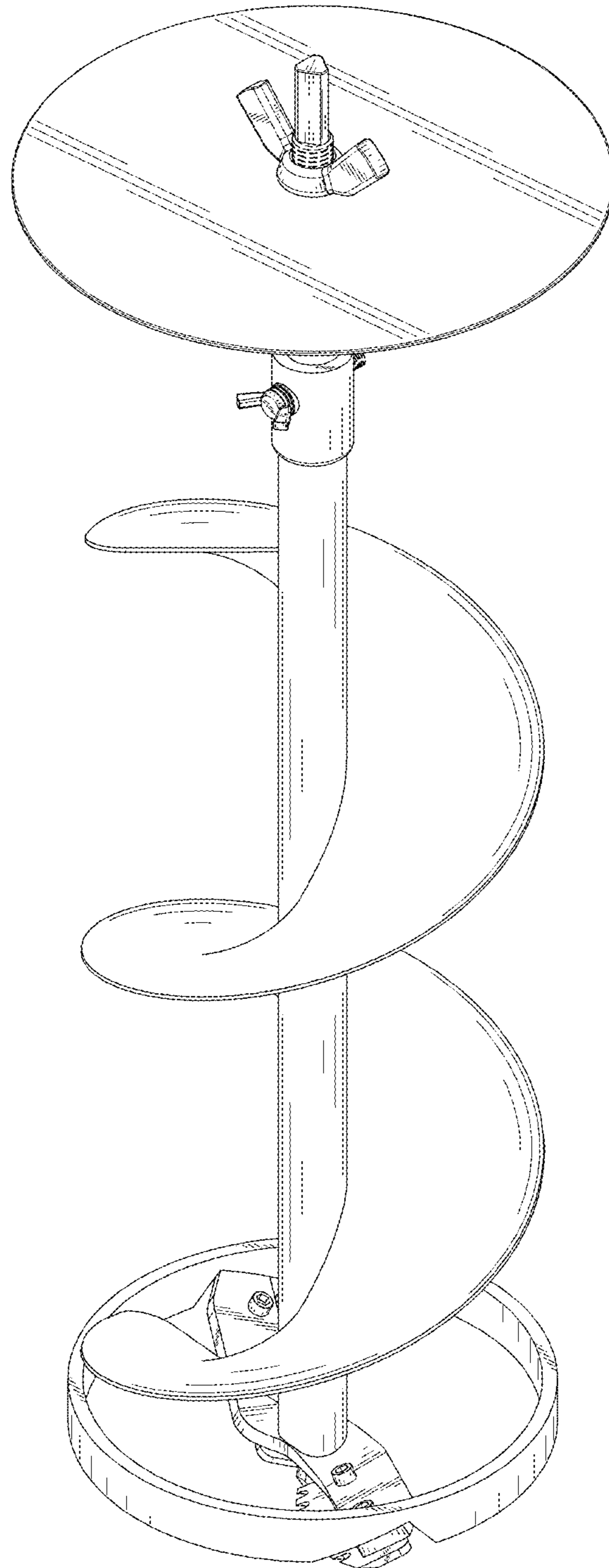


FIG. 1

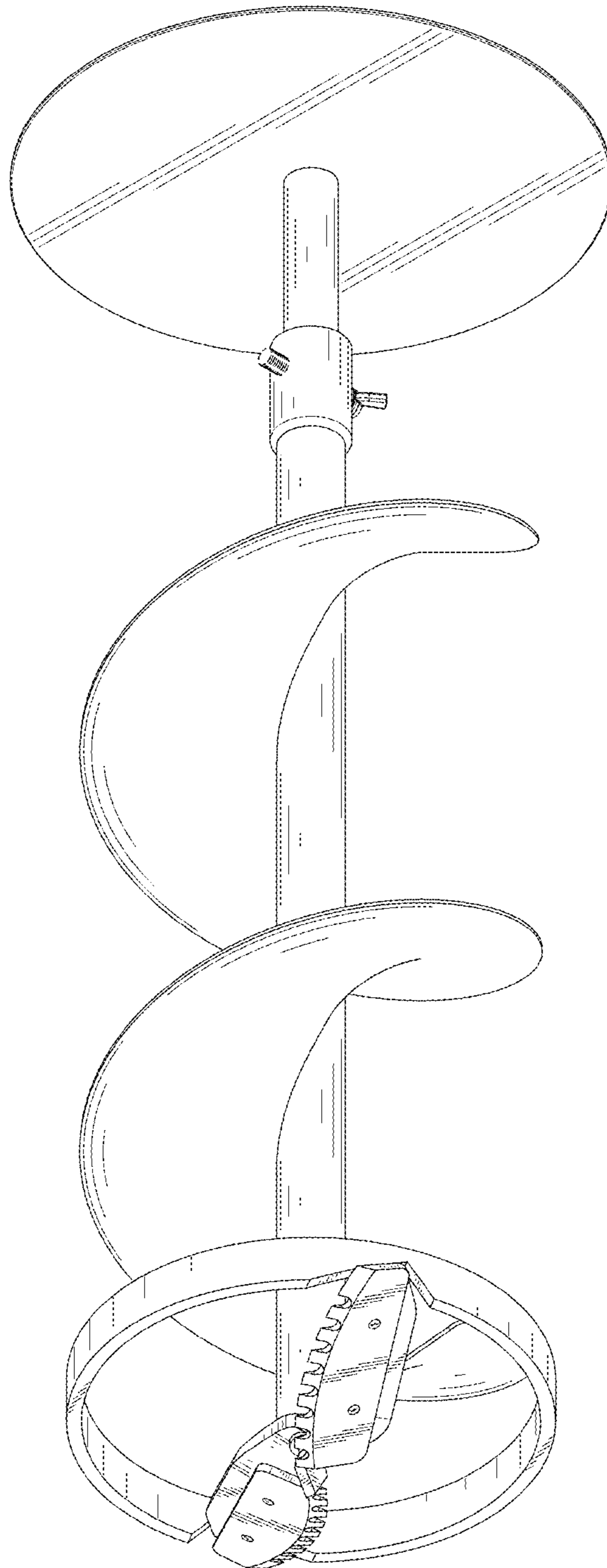


FIG. 2

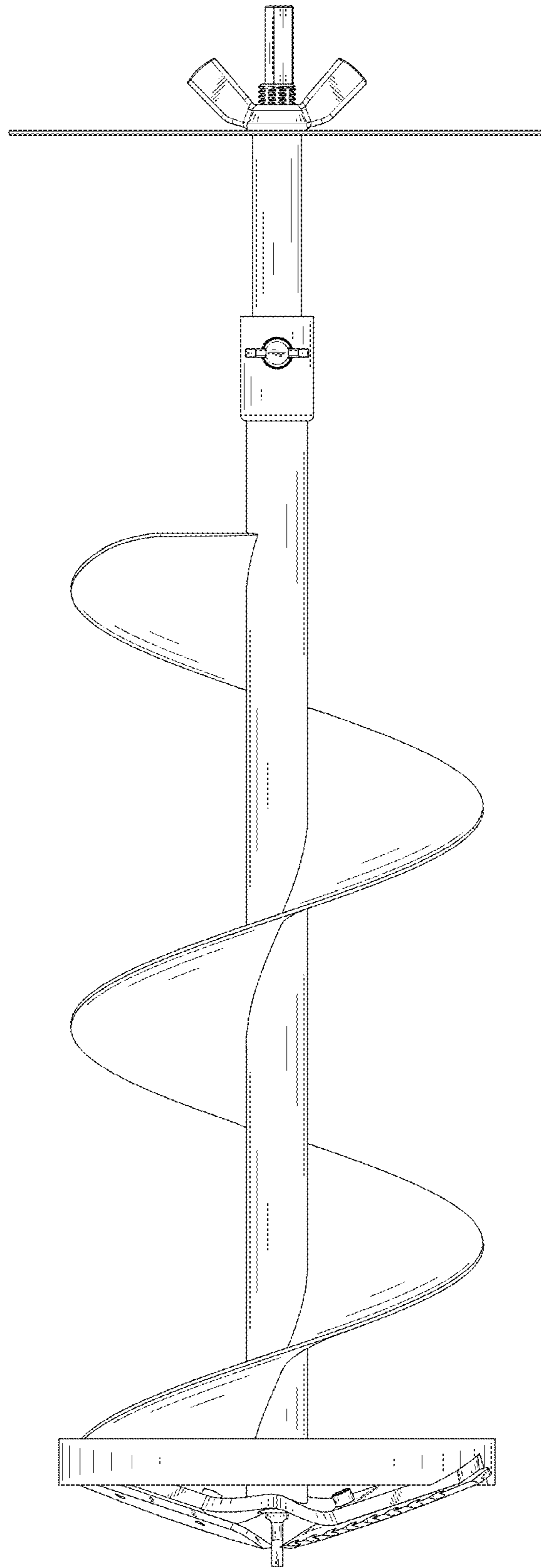


FIG. 3

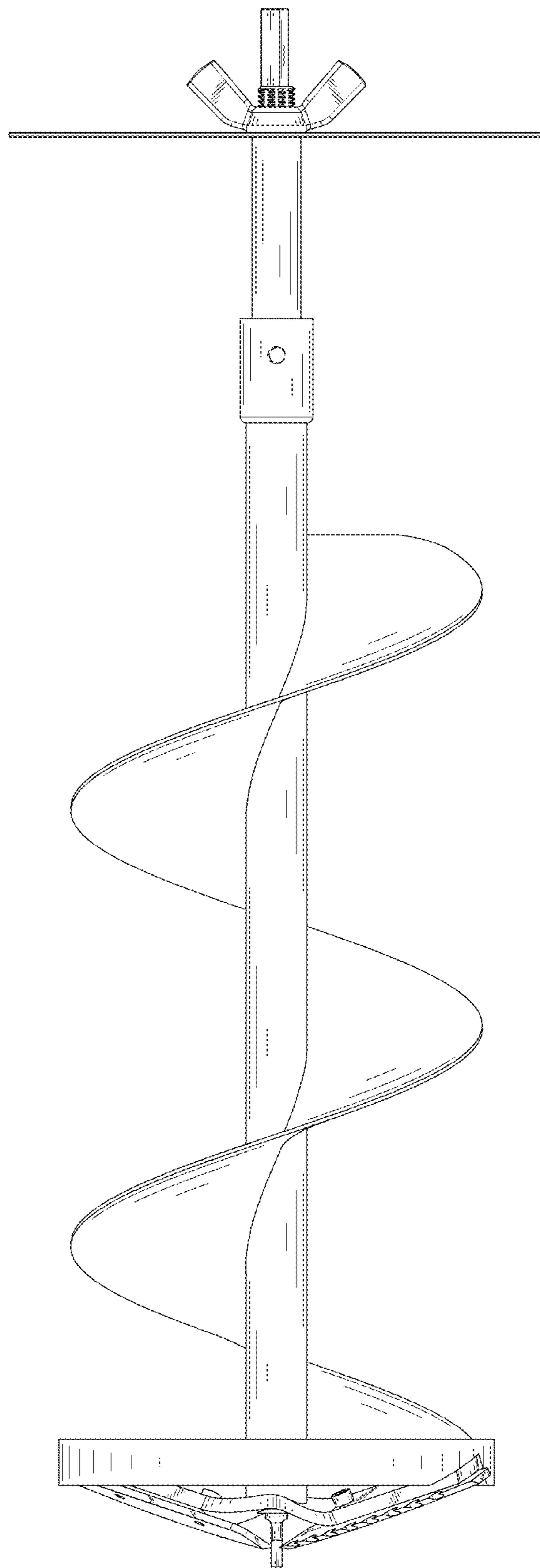


FIG. 4

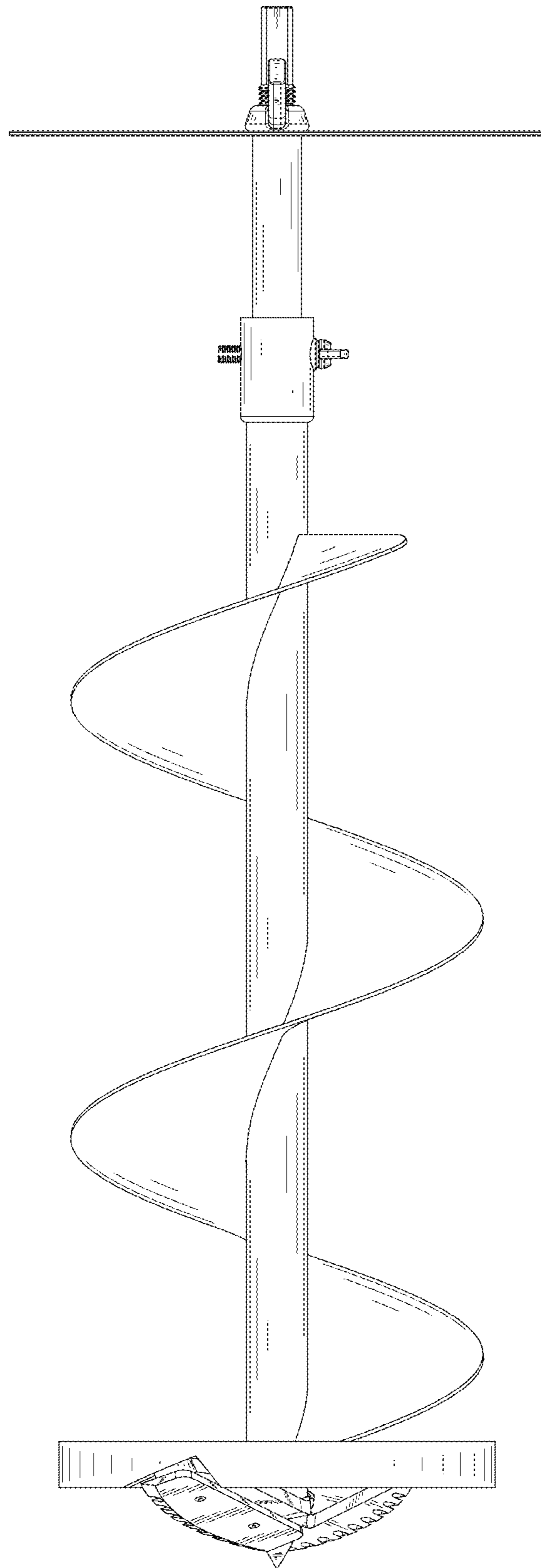


FIG. 5

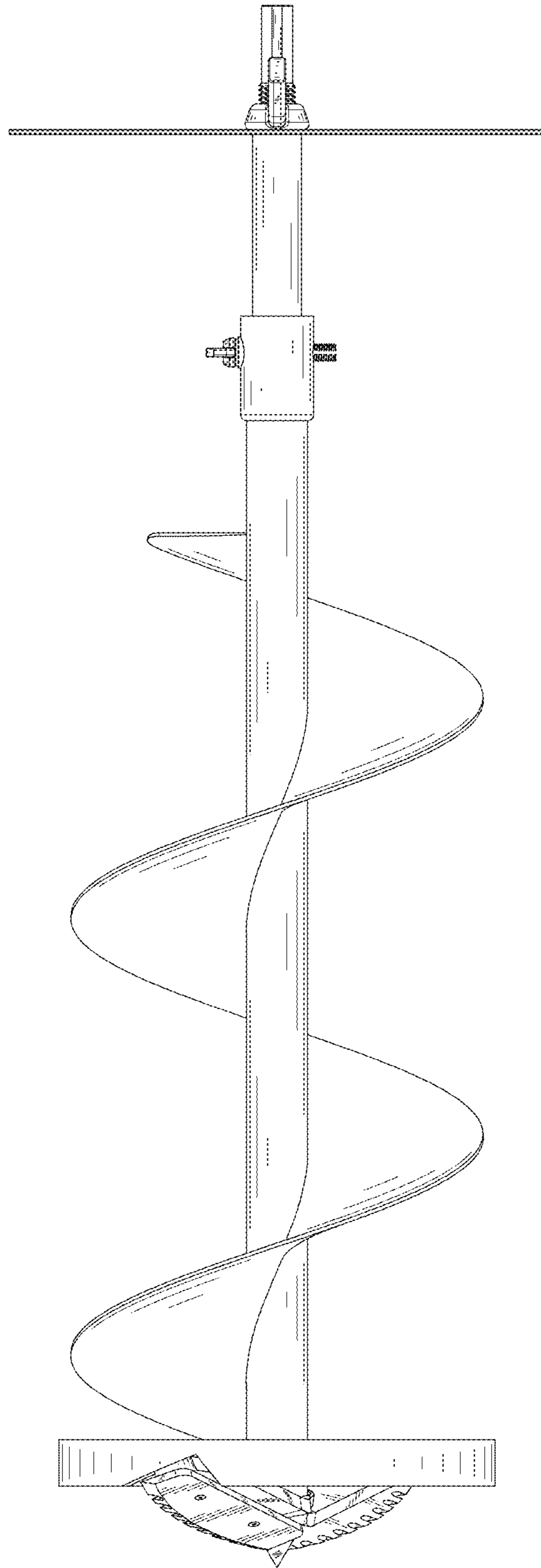


FIG. 6

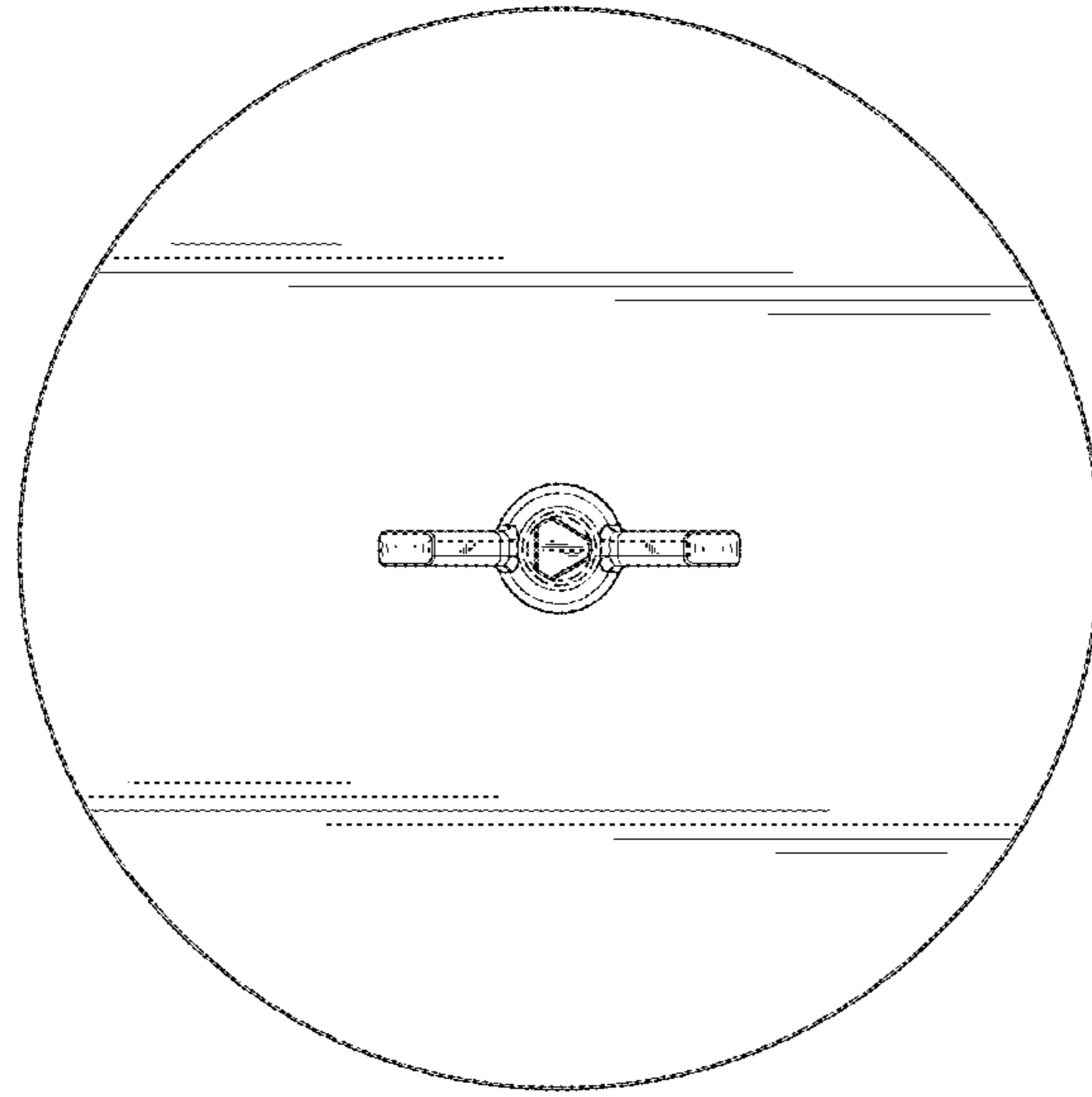


FIG. 7

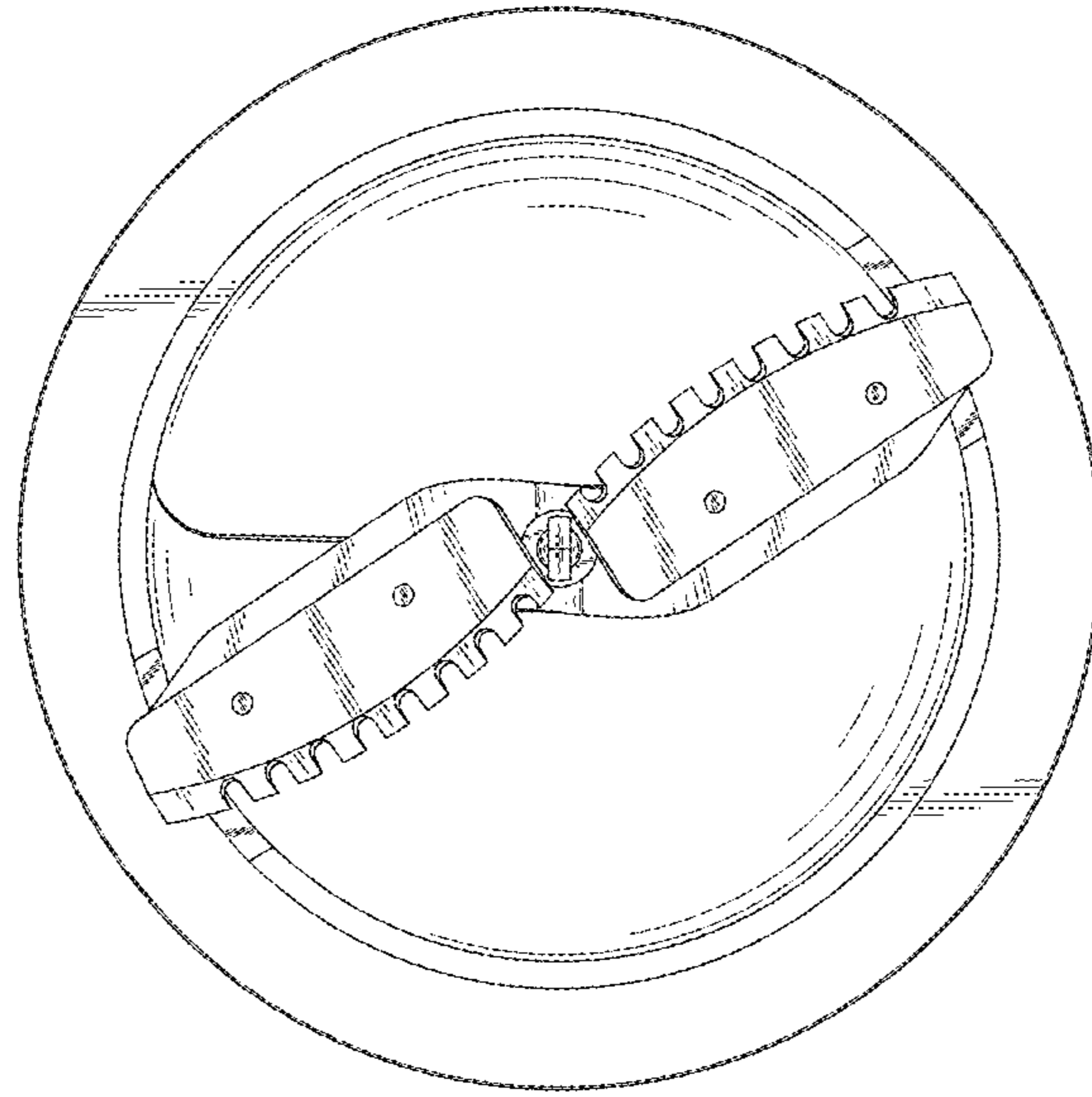


FIG. 8

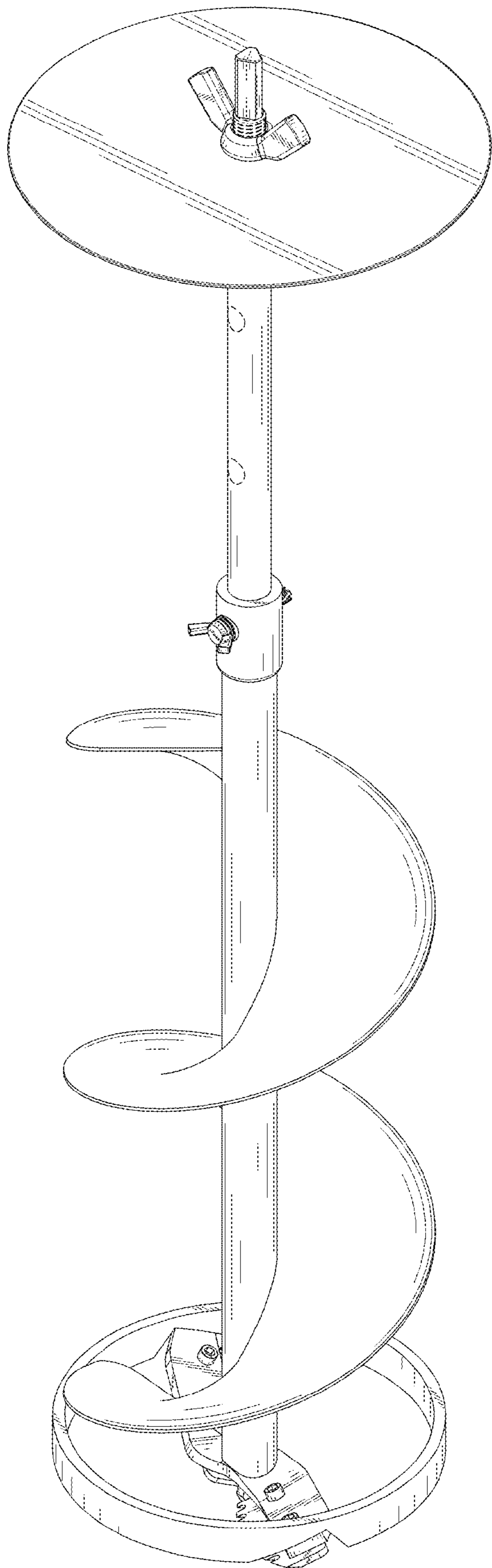


FIG. 9