



US00D982989S

(12) **United States Design Patent**  
**Yin**

(10) **Patent No.:** **US D982,989 S**  
(45) **Date of Patent:** **\*\* Apr. 11, 2023**

(54) **PLANT COVER**

(71) Applicant: **Shenzhen Aichong Industry Co., Ltd,**  
Shenzhen (CN)

(72) Inventor: **Aicheng Yin,** Changning (CN)

(\*\*) Term: **15 Years**

(21) Appl. No.: **29/862,301**

(22) Filed: **Dec. 8, 2022**

(51) **LOC (14) Cl.** ..... **25-03**

(52) **U.S. Cl.**  
USPC ..... **D8/1**

(58) **Field of Classification Search**  
USPC ..... D8/1; D21/834, 838, 837; D25/15  
CPC .... A01G 13/04; A01G 13/043; A01G 13/046;  
A01G 13/0243; A01G 13/10; A01G  
13/0212; A01G 13/0237; E04H 15/40;  
E04H 15/48; E04H 15/28  
See application file for complete search history.

(56) **References Cited**

**U.S. PATENT DOCUMENTS**

- 1,190,605 A \* 7/1916 Stockfleth ..... A01G 13/04  
47/29.3
- 2,864,389 A \* 12/1958 Smith ..... E04H 15/28  
135/120.2
- 3,874,397 A \* 4/1975 Oberhaus ..... E04H 15/28  
135/117
- 4,304,068 A \* 12/1981 Beder ..... A01G 13/043  
47/29.1
- 5,078,096 A \* 1/1992 Bishop ..... E04H 15/40  
119/497
- 5,456,043 A \* 10/1995 Dacon, Sr. .... A01G 13/10  
47/31
- D366,401 S 1/1996 Smith
- 6,325,086 B1 \* 12/2001 Shinner ..... E04H 15/40  
135/117
- 6,776,177 B2 \* 8/2004 Wu ..... A01G 13/0212  
135/98
- D514,747 S \* 2/2006 Bertoli ..... D30/108

- 7,628,165 B2 \* 12/2009 Rothweil ..... E04H 15/48  
135/147
  - 8,079,176 B1 \* 12/2011 Thead ..... A01G 13/043  
47/29.6
  - D653,919 S \* 2/2012 Ward ..... D8/1
  - D659,585 S \* 5/2012 Strand ..... D11/145
  - D673,016 S 12/2012 Grimes
  - D823,968 S \* 7/2018 Xiao ..... D21/837
- (Continued)

**OTHER PUBLICATIONS**

Flower Greenhouse Green Transparent Greenhouse Portable Insulation Plant Vegetables Winter Antifreeze Equipment; ZWWS-YJ; Amazon.ca; Nov. 6, 2018 ;Accessed Jan. 23, 2023; URL:< https://www.amazon.ca/dp/B07K77FJKX > (Year: 2018).\*

(Continued)

*Primary Examiner* — Vy N Koenig  
*Assistant Examiner* — Benjamin D. Wannemacher  
(74) *Attorney, Agent, or Firm* — Daniel M. Cohn;  
Howard M. Cohn

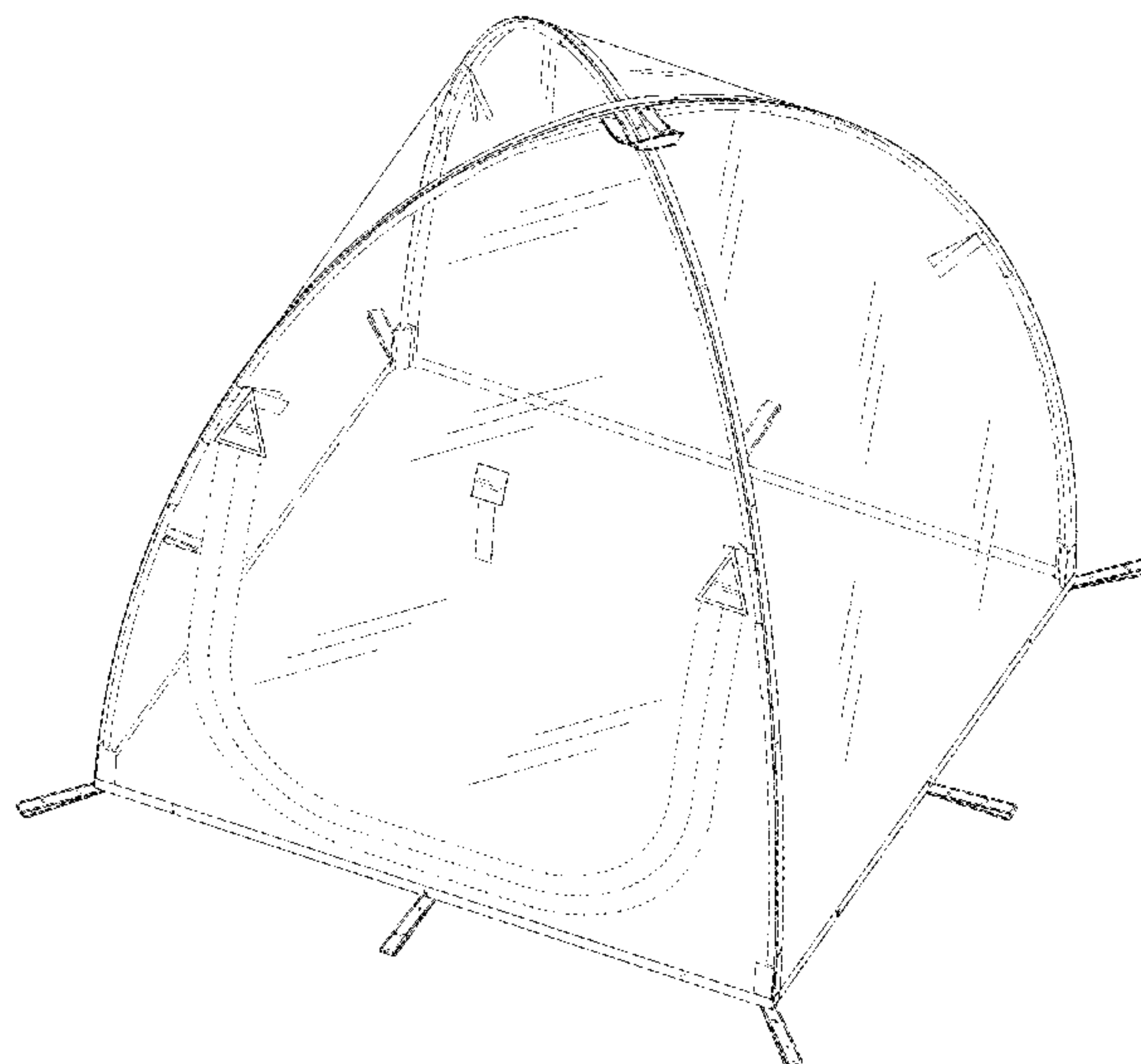
(57) **CLAIM**

The ornamental design for a plant cover, as shown and described.

**DESCRIPTION**

FIG. 1 is a perspective view of a plant cover showing my new design;  
FIG. 2 is a front view thereof;  
FIG. 3 is a back view thereof;  
FIG. 4 is a left view thereof;  
FIG. 5 is a right view thereof;  
FIG. 6 is a top plan view thereof; and,  
FIG. 7 is a bottom plan view of a plant cover as shown.  
The broken lines are for the purpose of illustrating portions of the plant cover that form no part of the claimed design.

**1 Claim, 7 Drawing Sheets**



(56)

**References Cited**

U.S. PATENT DOCUMENTS

|              |      |         |         |       |             |
|--------------|------|---------|---------|-------|-------------|
| D931,400     | S *  | 9/2021  | Mei     | ..... | D21/837     |
| D932,579     | S *  | 10/2021 | Barnett | ..... | D21/834     |
| D955,059     | S *  | 6/2022  | Li      | ..... | D30/109     |
| D961,035     | S *  | 8/2022  | Zhu     | ..... | D21/834     |
| 11,457,572   | B2 * | 10/2022 | Battoe  | ..... | A01G 13/04  |
| D973,823     | S *  | 12/2022 | Yin     | ..... | D21/834     |
| 2005/0081903 | A1 * | 4/2005  | Wang    | ..... | E04H 15/40  |
|              |      |         |         |       | 135/126     |
| 2006/0112621 | A1 * | 6/2006  | White   | ..... | A01G 13/043 |
|              |      |         |         |       | 47/31       |
| 2009/0151242 | A1 * | 6/2009  | Kellogg | ..... | A01G 13/043 |
|              |      |         |         |       | 47/29.6     |
| 2017/0311557 | A1 * | 11/2017 | Kish    | ..... | A01G 13/043 |
| 2022/0061234 | A1 * | 3/2022  | Battoe  | ..... | A01G 13/043 |

OTHER PUBLICATIONS

NuVue Products 24244 Pop-Open Greenhouse, 22"×22"×22", 2 Pack, Clear; Nuvue; Amazon.ca; Jan. 10, 2020; Accessed Jan. 23,

2023; URL:< <https://www.amazon.ca/dp/B0831SBVM1> > (Year: 2020).\*

Pop up Greenhouse Cover, Transparent PVC Mini Small Grow Plant House Tent, Gardening Flowerpot Warm Room Backyard Flower Shelter for Indoor Outdoor (27"×27"×31" ); KBD; Amazon.ca; Feb. 24, 2021; Accessed Jan. 23, 2023; URL:< <https://www.amazon.ca/dp/B08T232LW1> > (Year: 2021).\*

Gardzen Pop Up Greenhouse; Gardzen; Amazon.ca; Dec. 1, 2021; Accessed Jan. 23, 2023; URL:< <https://www.amazon.ca/dp/B09FGN8DJN> > (Year: 2021).\*

Porayhut Pop Up Greenhouse Cover Flower House, Pack of 2, Mini Gardening Plant Sunshine Room, Backyard PVC Cover for Cold Frost Protector Gardening Plants; porayhut; Amazon.ca; Jun. 5, 2022; Accessed Jan. 23, 2023; URL:< <https://www.amazon.ca/dp/B09M7VDYKM> > (Year: 2022).\*

Plant Covers Freeze Protection, Plant Protector and Cover, Winter Snow & Frost Covers with Stakes, Warm Plant Protection Tent, Protecting Fruit Tree Potted Plants and Shrub from Freezing Animals Eating.; YLSAZL; Amazon.ca; Jul. 7, 2022; Accessed Jan. 23, 2023; URL:< <https://www.amazon.ca/dp/B0B5FCV18Q> > (Year: 2022).\*

\* cited by examiner

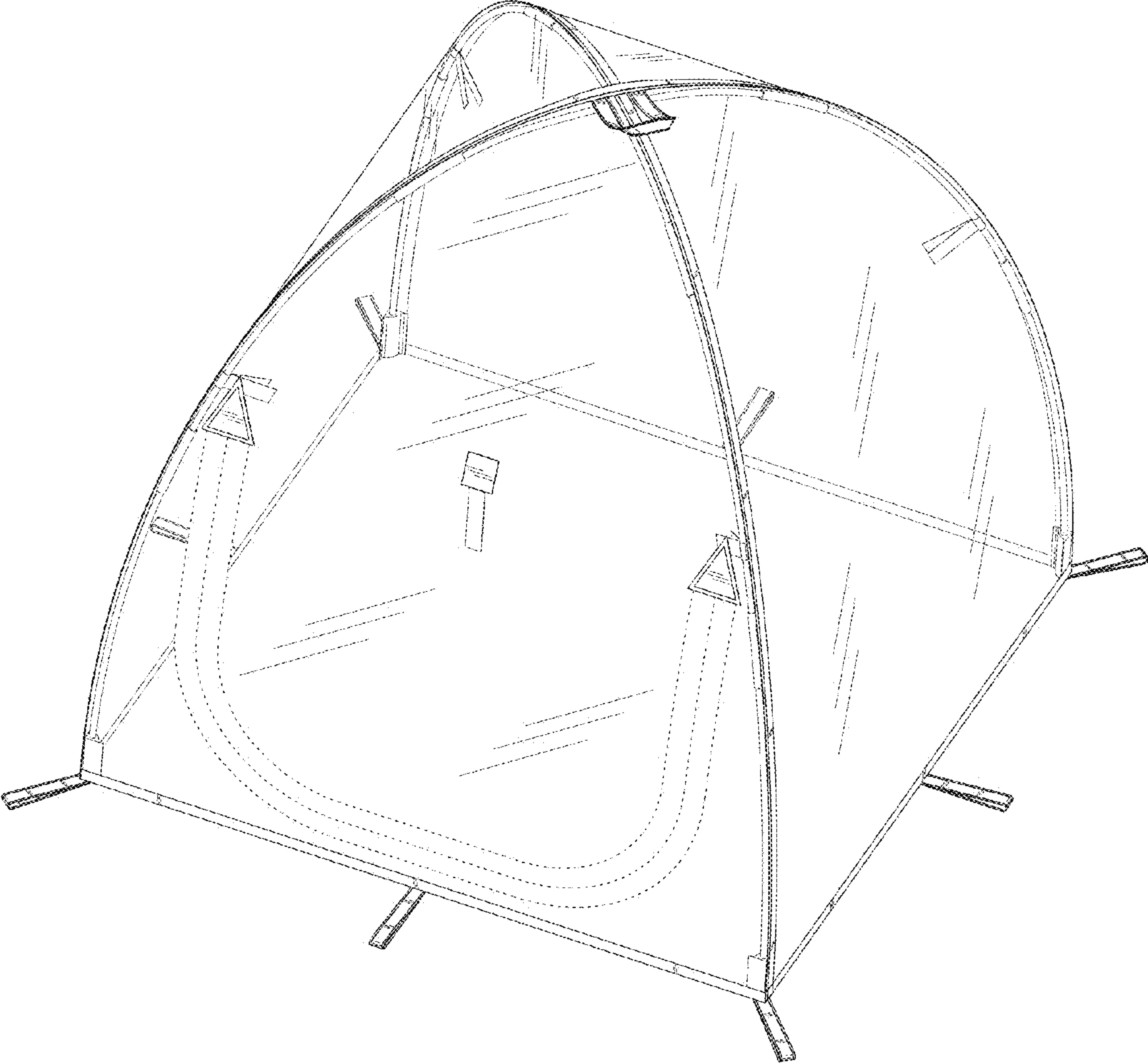


FIG. 1

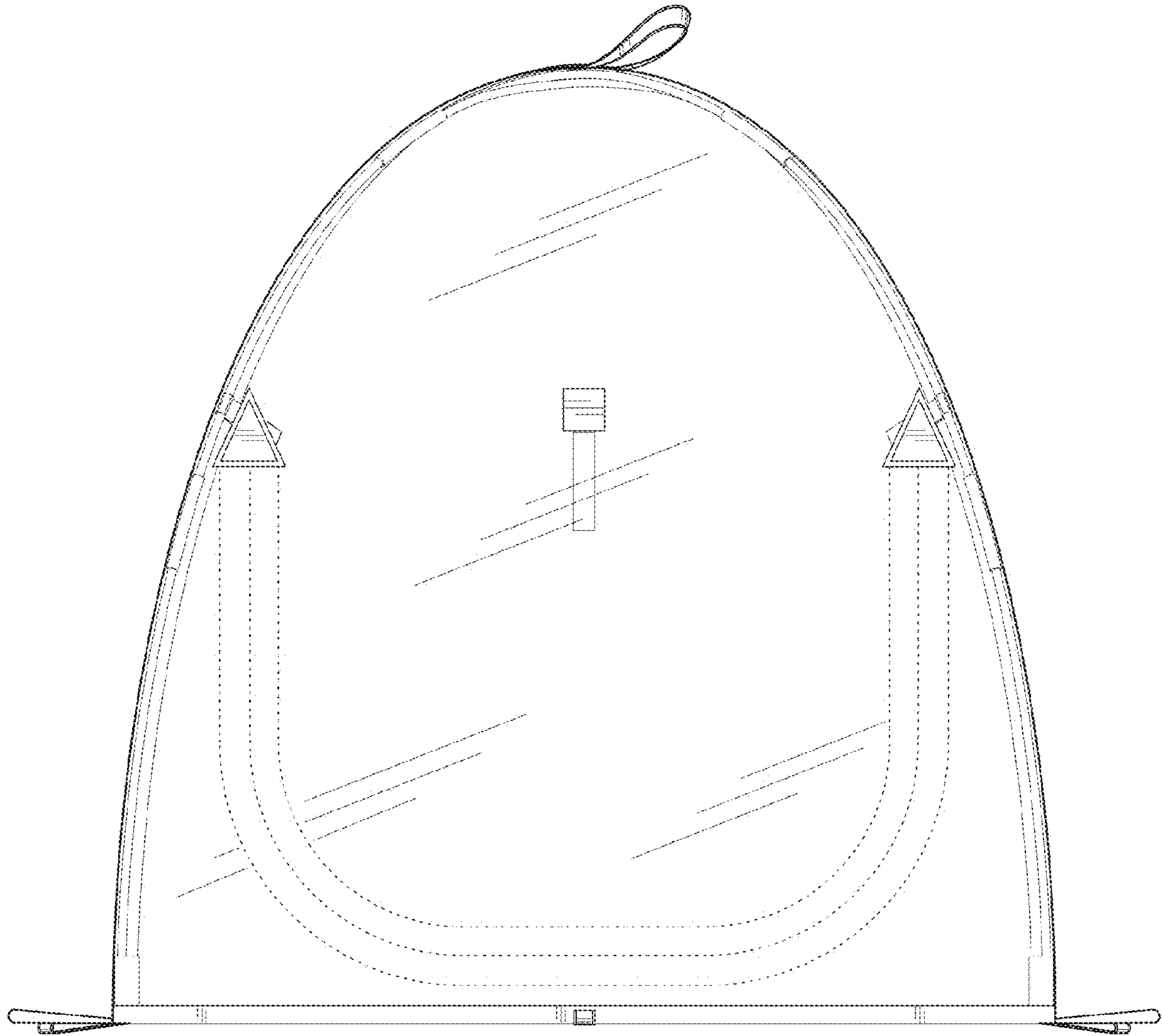


FIG.2



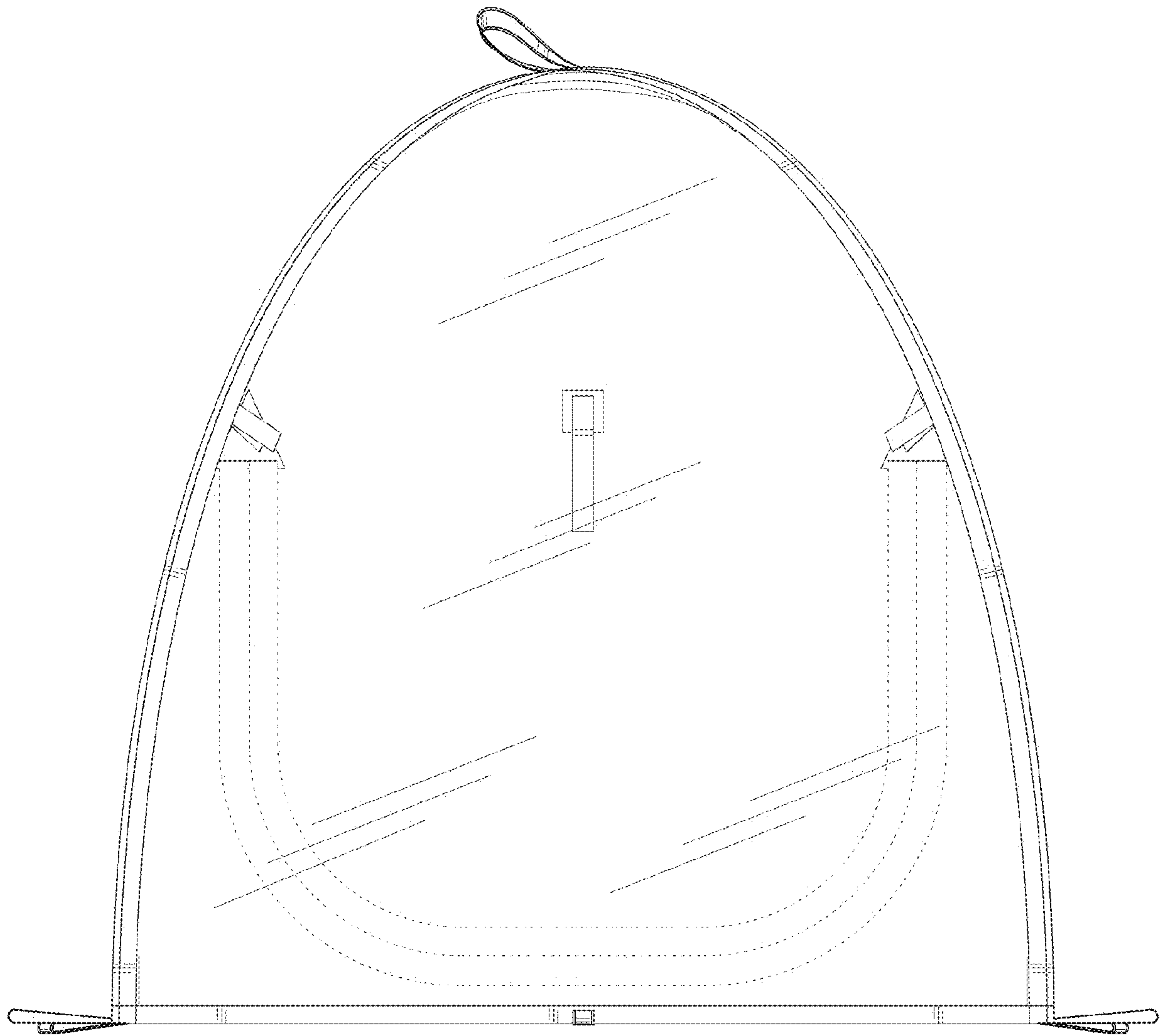


FIG.3

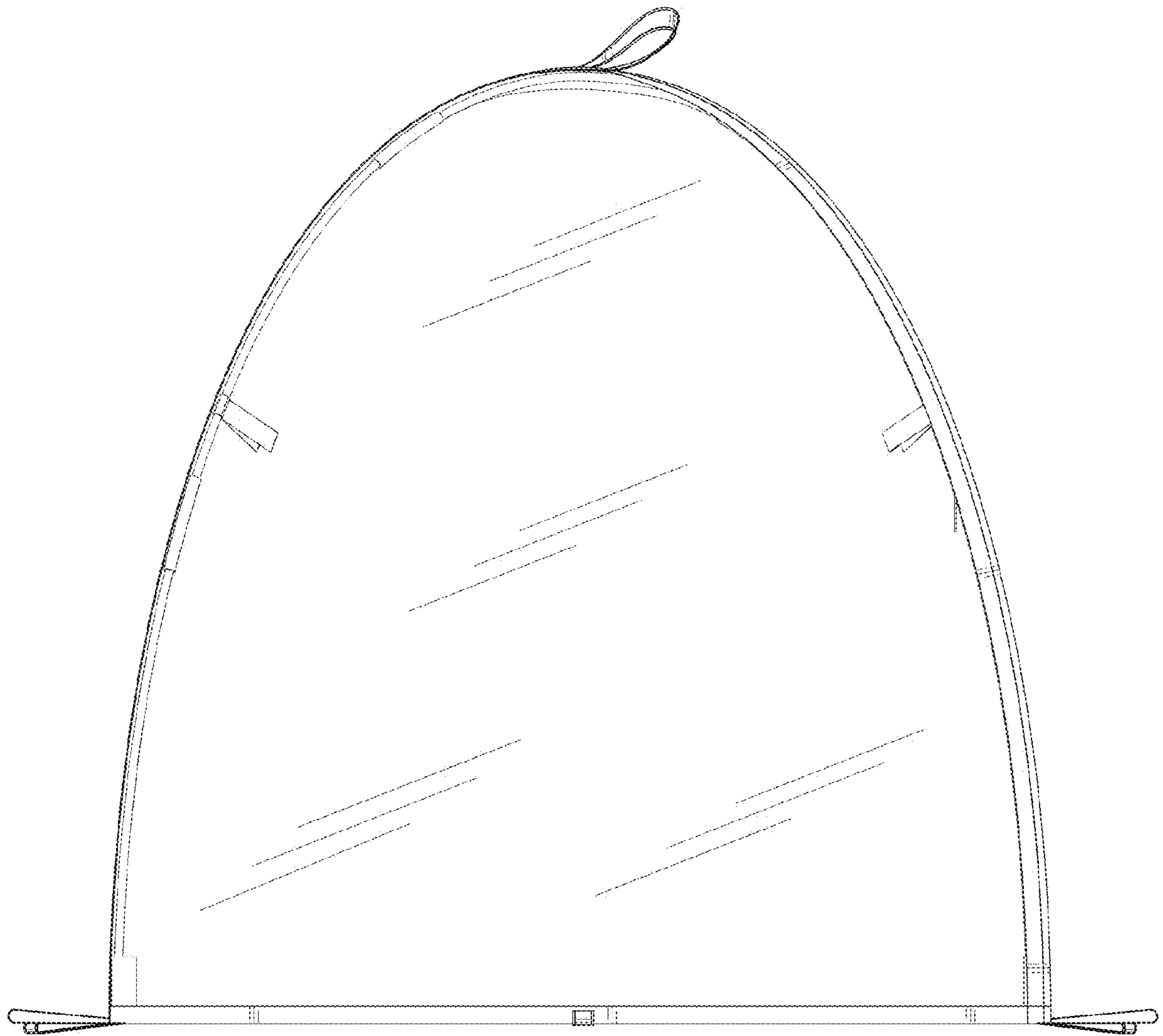


FIG.4

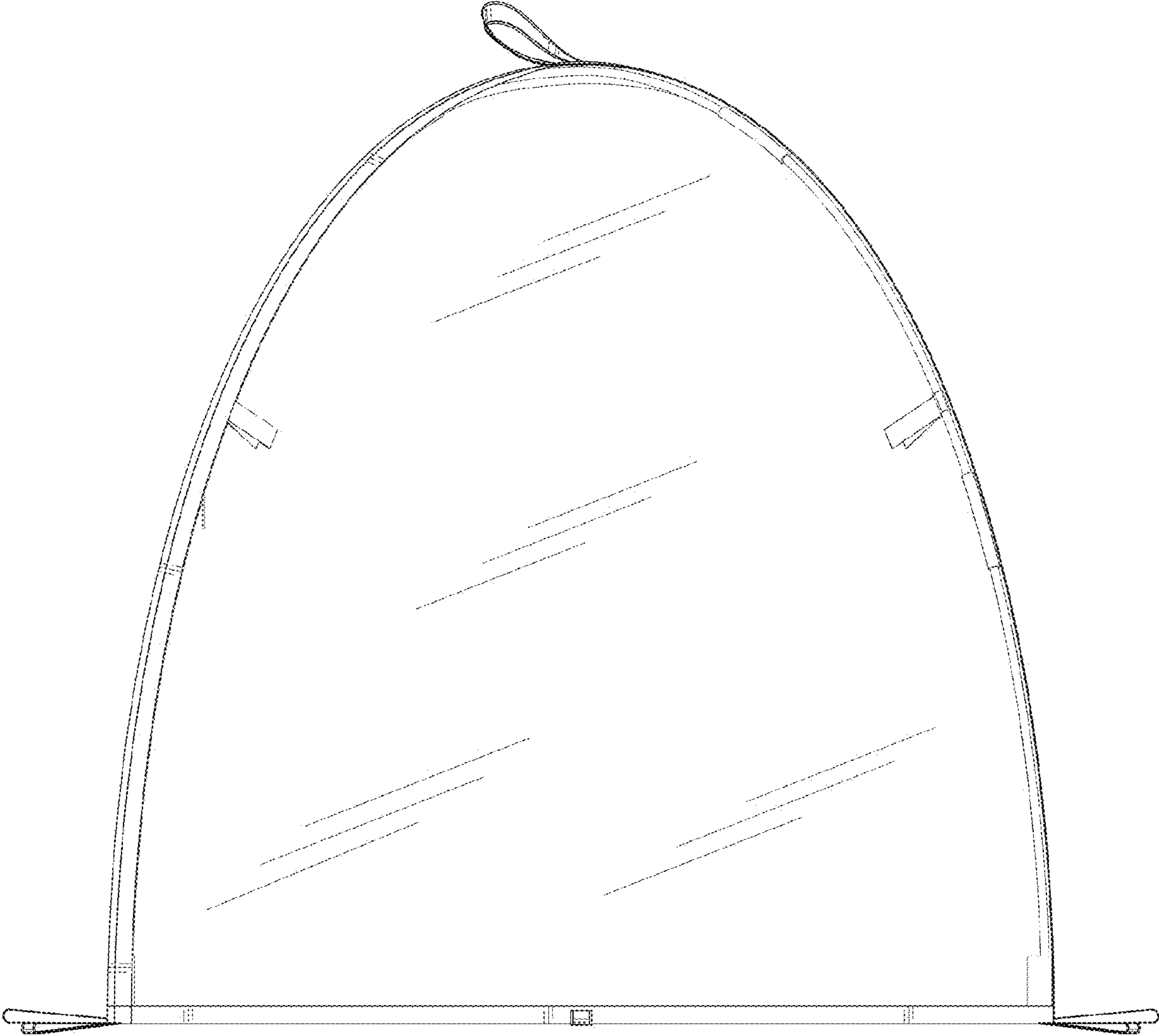


FIG.5

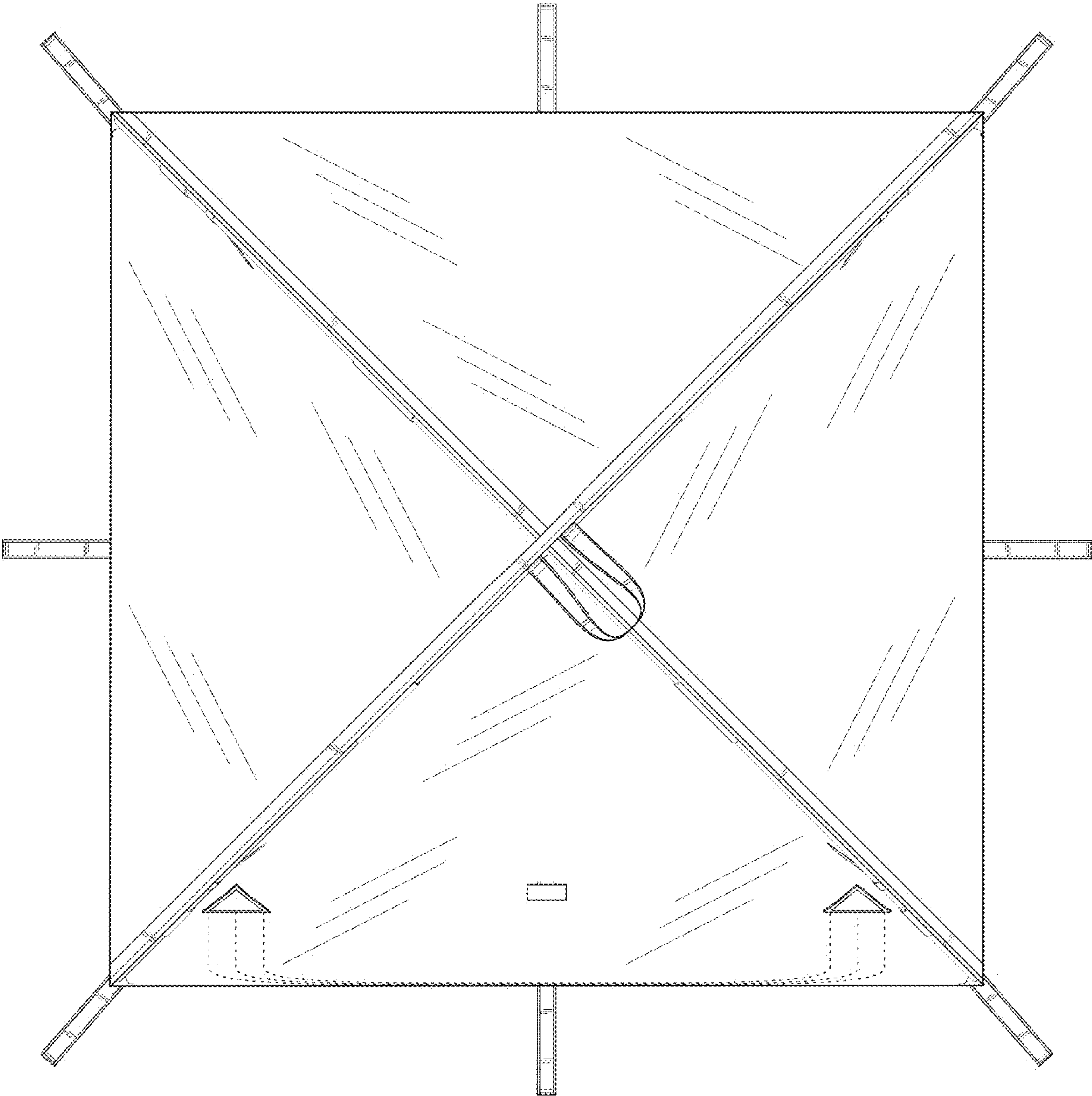


FIG.6



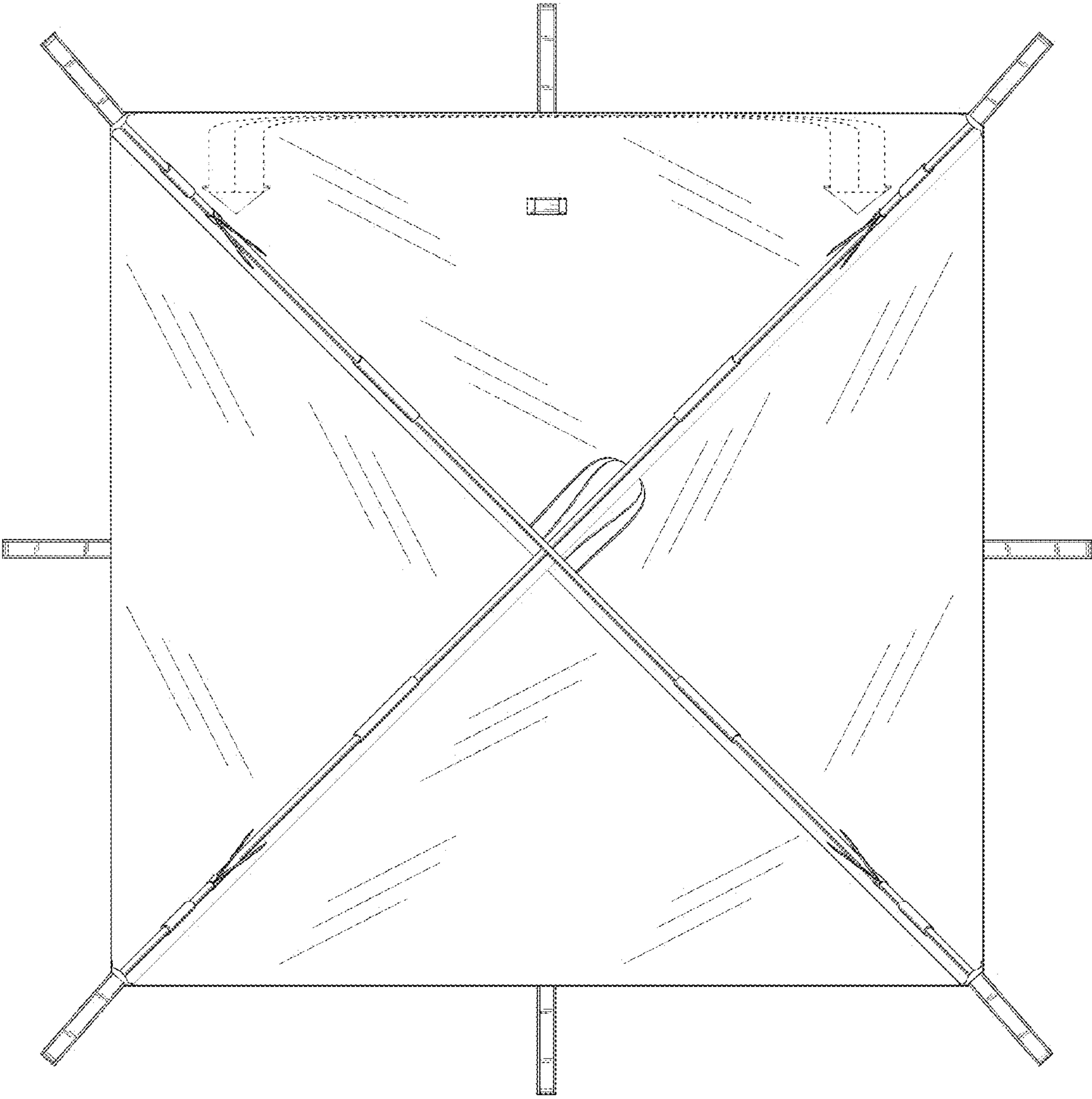


FIG.7