



US00D982988S

(12) **United States Design Patent** (10) **Patent No.:** **US D982,988 S**
Liu (45) **Date of Patent:** **** Apr. 11, 2023**

(54) **SPREADER**

(71) Applicant: **Fan Liu**, Suzhou (CN)

(72) Inventor: **Fan Liu**, Suzhou (CN)

(**) Term: **15 Years**

(21) Appl. No.: **29/826,818**

(22) Filed: **Feb. 15, 2022**

(51) **LOC (14) Cl.** **08-01**

(52) **U.S. Cl.**
USPC **D8/1**

(58) **Field of Classification Search**
USPC D8/1, 4, 5, 7, 9, 11, 12, 13, 18, 20, 33,
D8/34, 35, 36, 38, 40, 90, 92, 93, 98, 99,
D8/100, 104, 105; D7/649, 653, 667,
D7/683, 685, 686, 687, 692; D15/13;
30/155, 161, 408; 7/118, 158, 113
CPC B26B 5/005; B26B 5/006; B26B 9/00;
B26B 9/02; B67B 7/00; B67B 7/16;
B67B 7/30; B67B 7/34; B67B 2007/303;
B67B 2007/306; A01C 5/02; A01B 1/165;
A01B 1/06; A01B 1/08; E21B 25/00;
B28C 5/44

See application file for complete search history.

(56) **References Cited**

U.S. PATENT DOCUMENTS

1,538,550	A *	5/1925	Hamilton	A01B 29/02 172/350
1,618,564	A *	2/1927	Bell	A01B 29/02 172/350
1,676,941	A *	7/1928	Cantu	A01B 29/02 172/350
1,924,644	A *	8/1933	Himmelberger	A01B 29/02 180/19.1
2,029,518	A *	2/1936	Budd	A01B 29/02 172/350

(Continued)

OTHER PUBLICATIONS

EzzDoo Compost Spreader for Lawn and Garden—Peat Moss Spreader Manure Spreader Top Soil Spreader . . . ; EzzDoo; amazon.co.uk; Jan. 9, 2022; Accessed Aug. 5, 2022; URL:< https://www.amazon.co.uk/dp/B09Q21RVKZ/ > (Year: 2022).*

(Continued)

Primary Examiner — Rachel A. Voorhies

Assistant Examiner — Benjamin D. Wannemacher

(74) *Attorney, Agent, or Firm* — Che-Yang Chen; Law Office of Michael Chen

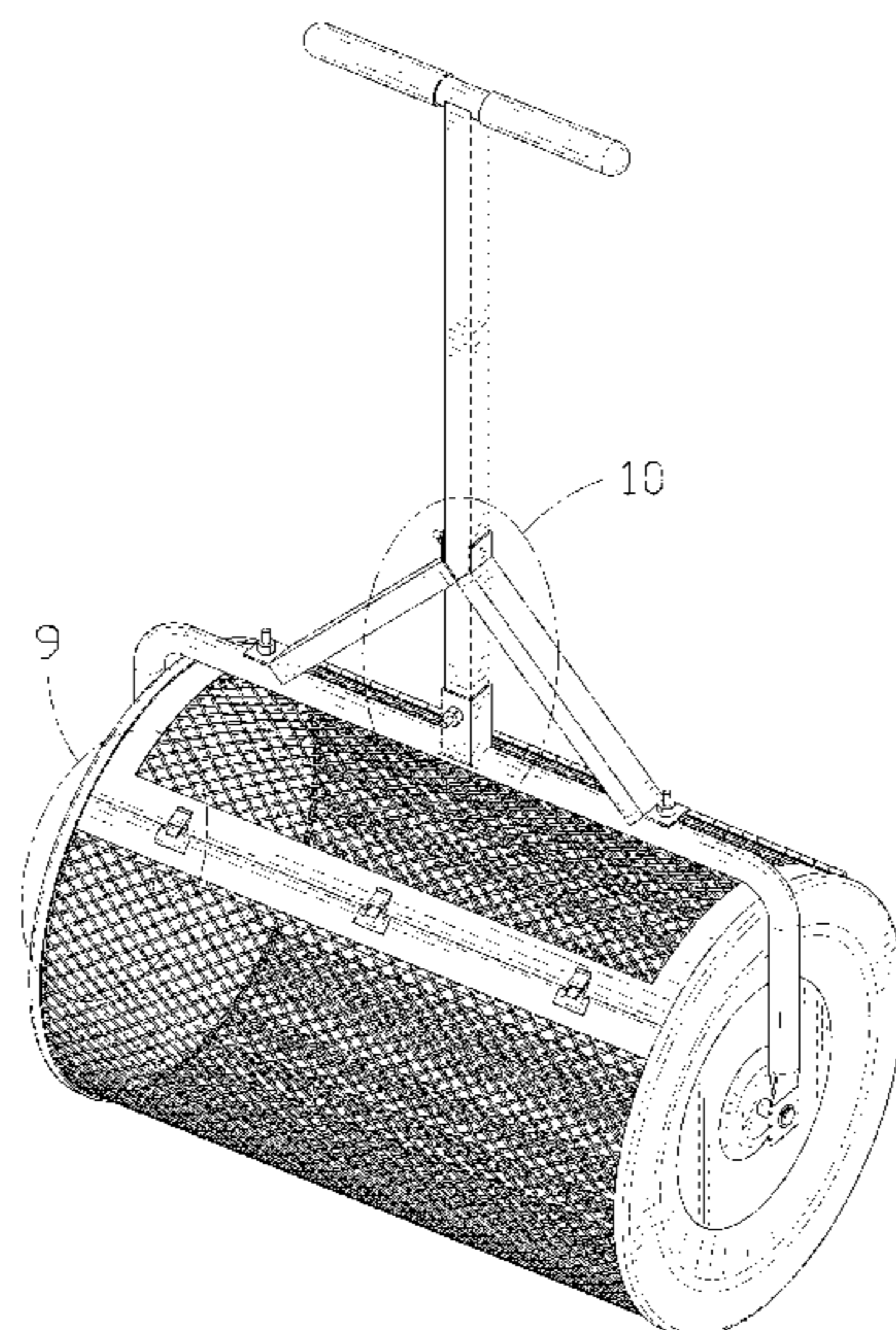
(57) **CLAIM**

The ornamental design for a spreader, as shown and described.

DESCRIPTION

FIG. 1 is a perspective view of the spreader showing my new design;
 FIG. 2 is a perspective view thereof from another angle;
 FIG. 3 is a front elevational view thereof;
 FIG. 4 is a rear elevational view thereof;
 FIG. 5 is a left side elevational view thereof;
 FIG. 6 is a right side elevational view thereof;
 FIG. 7 is a top plan view thereof;
 FIG. 8 is a bottom plan view thereof;
 FIG. 9 is a partial enlarged view of portion 9 in FIG. 1;
 FIG. 10 is a partial enlarged view of portion 10 in FIG. 1;
 and,
 FIG. 11 is a partial enlarged view of portion 11 in FIG. 2.
 The dash-dash broken lines shown in the drawings are included for the purpose of illustrating portions of the spreader that forms no part of the claimed design.
 The dash-dot broken lines of FIGS. 1 and 2 depict the limits of the enlarged views and form no part of the claimed design. The dash-dot lead lines in FIGS. 1 and 2 labeled 9, 10, and 11 indicate the areas from which the enlargements in FIGS. 1 and 2 are taken and form no part of the claimed design.

1 Claim, 11 Drawing Sheets



(56)

References Cited

U.S. PATENT DOCUMENTS

2,135,077 A * 11/1938 Hove A47L 13/22
118/308
2,580,084 A * 12/1951 Donnelly A01B 29/02
172/350
2,740,634 A * 4/1956 Mayfield A01C 15/00
222/189.02
2,741,968 A * 4/1956 Harris A01B 29/06
172/554
3,219,239 A * 11/1965 Watral A01G 13/0287
D8/8
4,218,015 A * 8/1980 Dean A01M 7/0085
280/836
D307,205 S * 4/1990 Galeser A01G 13/0287
D32/38
D632,311 S 2/2011 Labbe et al.
D652,060 S 1/2012 Elliot
D854,051 S 7/2019 Haggard
2015/0208588 A1 * 7/2015 Cady A01G 20/43
15/98

OTHER PUBLICATIONS

Walensee 24 Inch Compost Spreader Peat Moss Spreader with Upgrade T Shaped Handle for Planting, Seeding; Walensee; amazon.co.uk; Feb. 27, 2022; Accessed Aug. 5, 2022; URL:< <https://www.amazon.co.uk/Walensee-Spreader-Planting-Lightweight-Spreaders/dp/B09P8LSYLQ/> > (Year: 2022).*

* cited by examiner

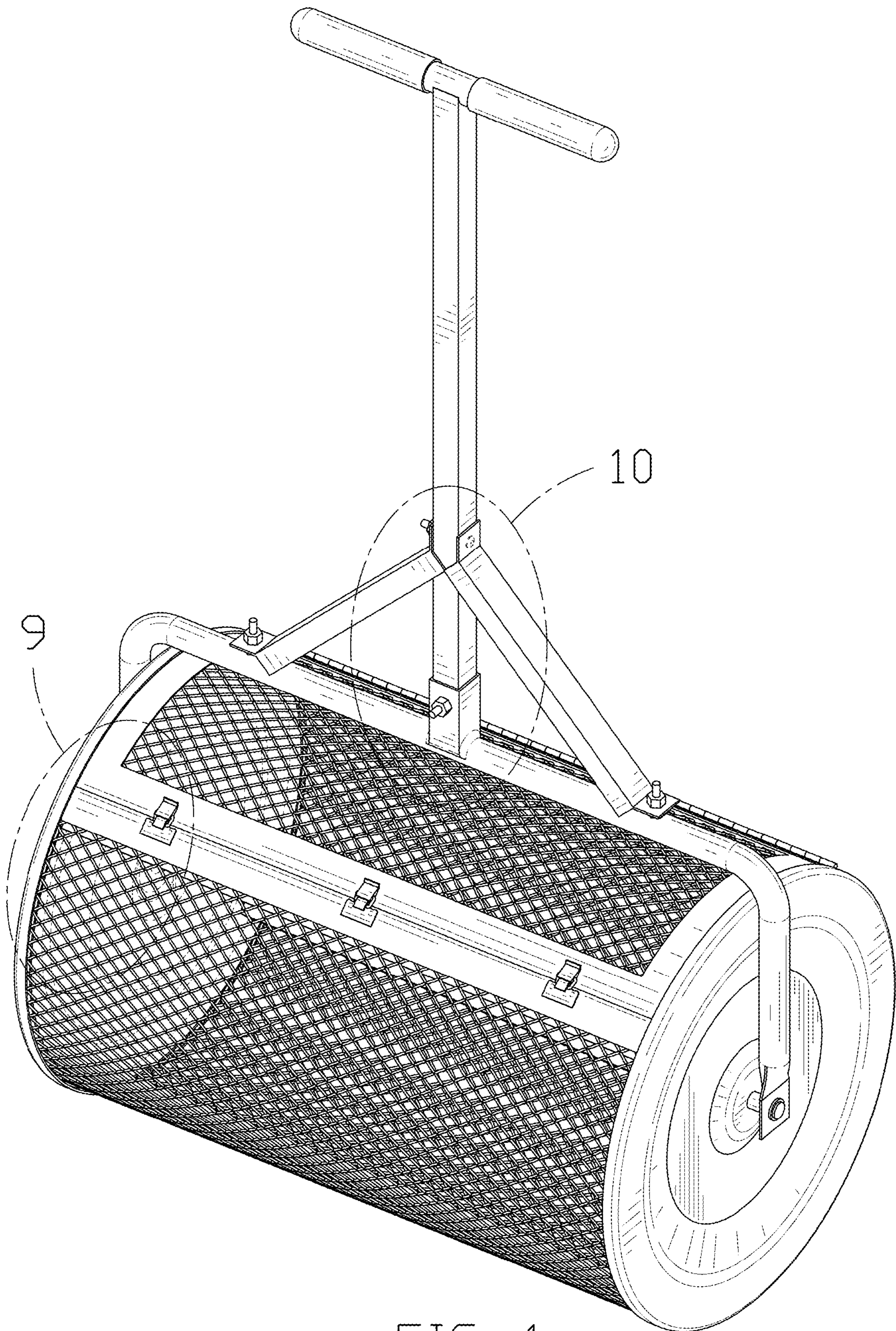


FIG. 1

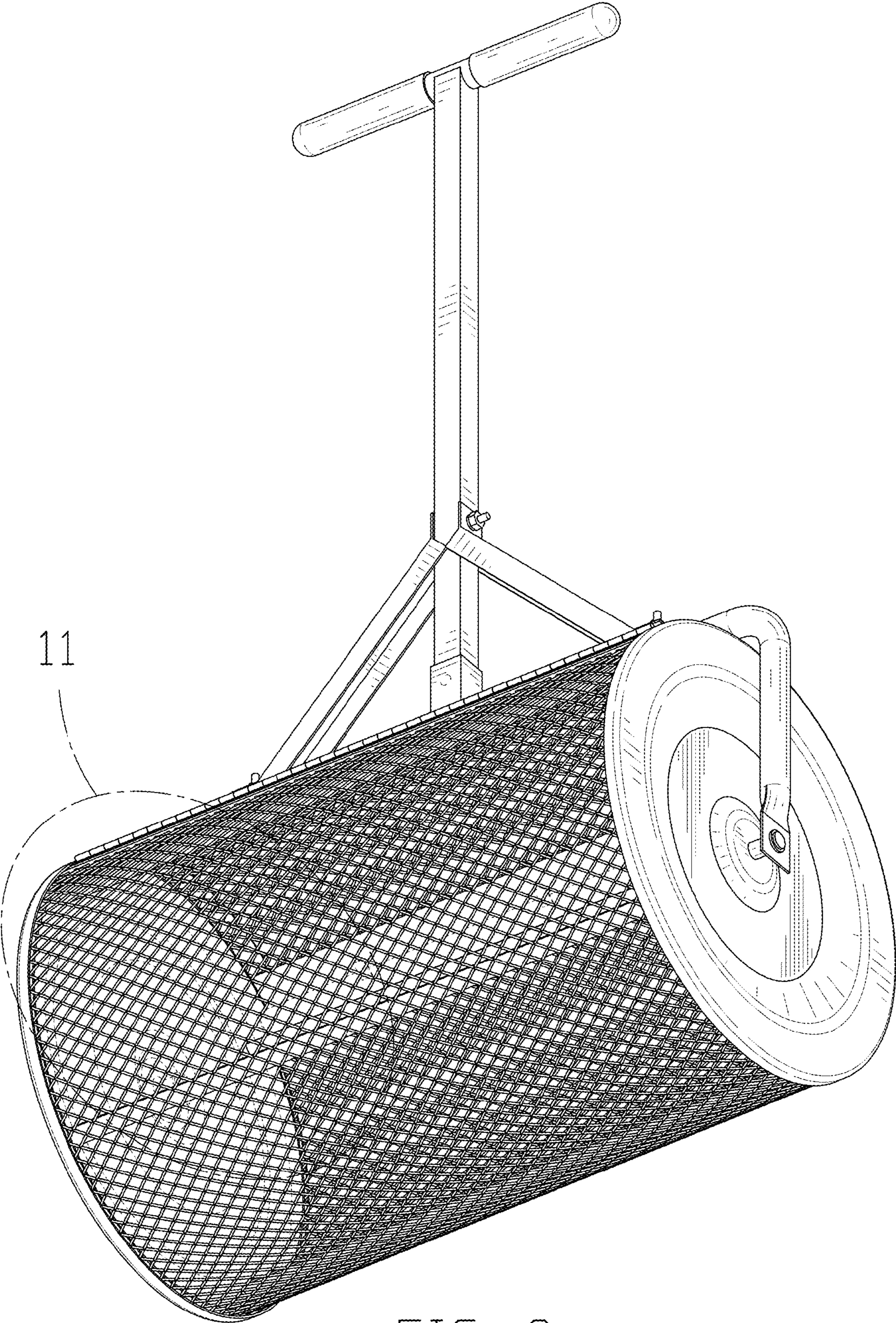


FIG. 2

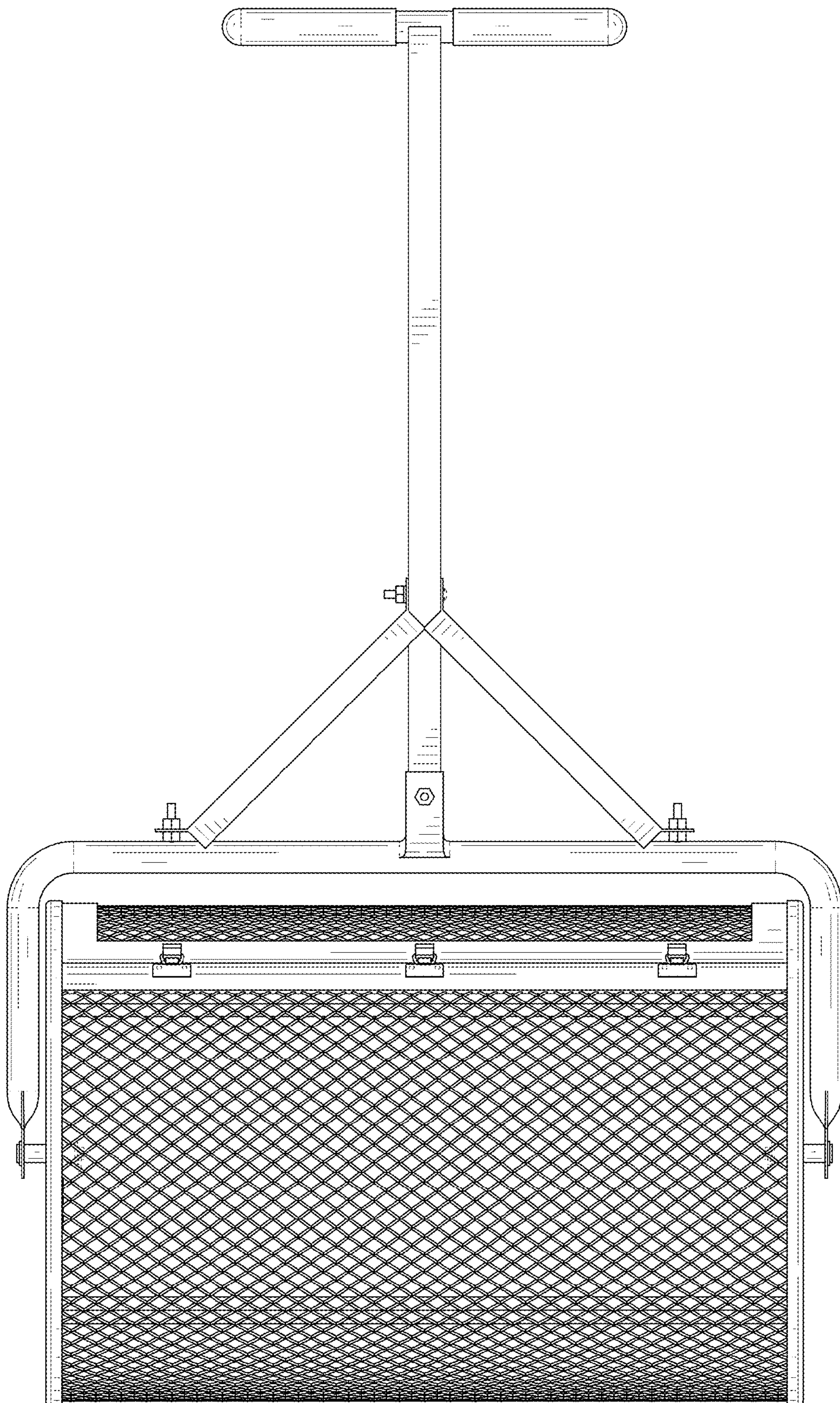


FIG. 3

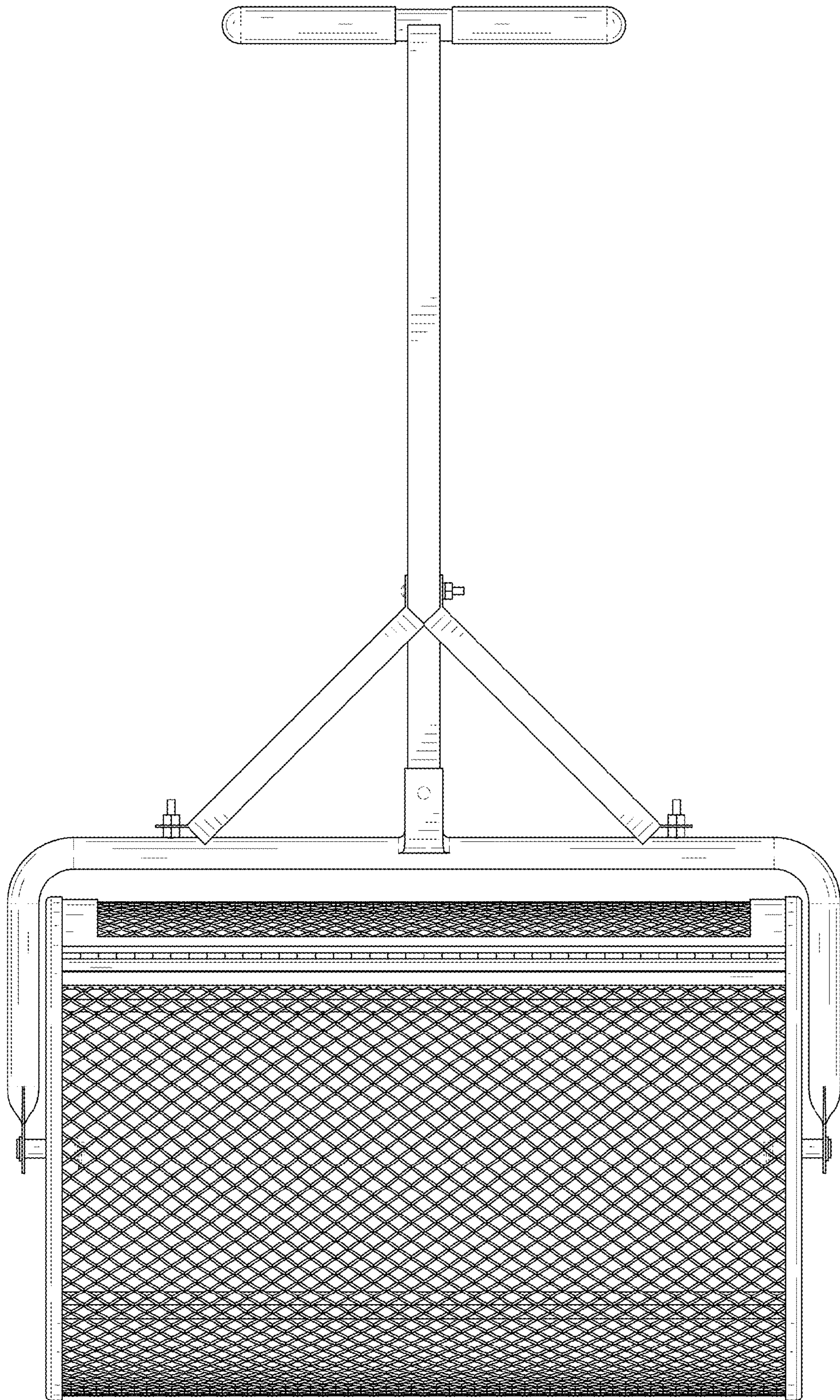


FIG. 4

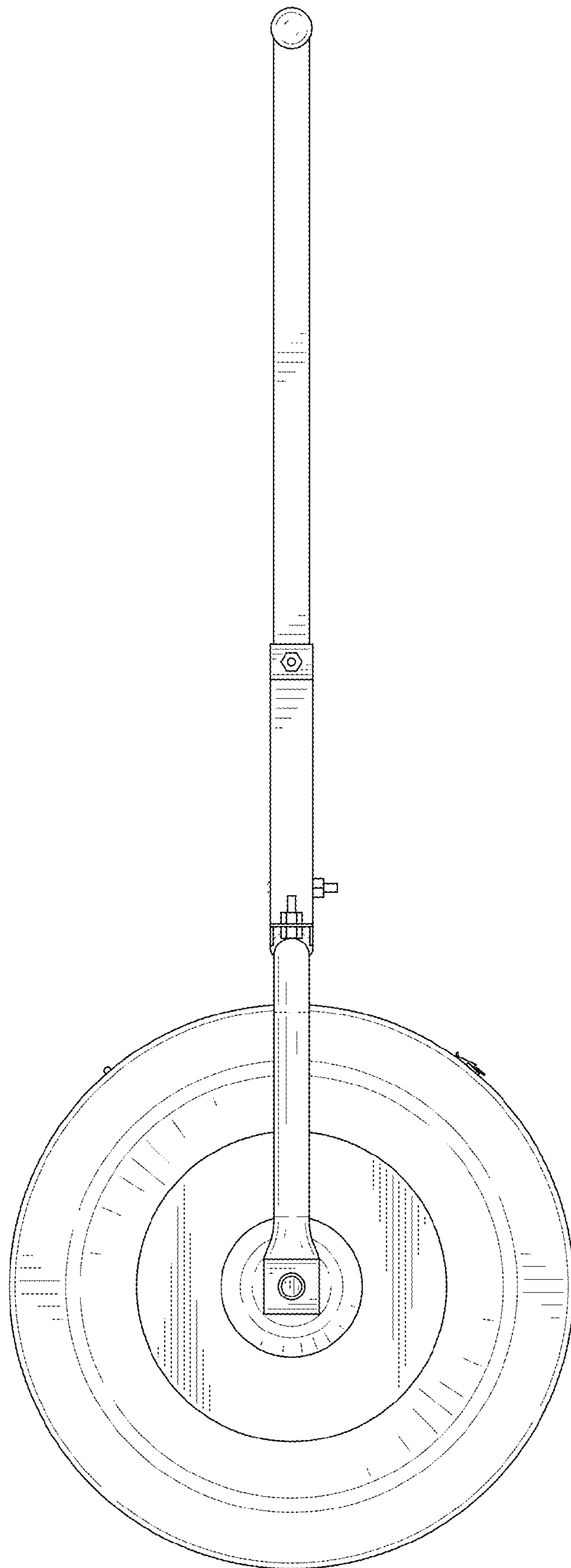


FIG. 5

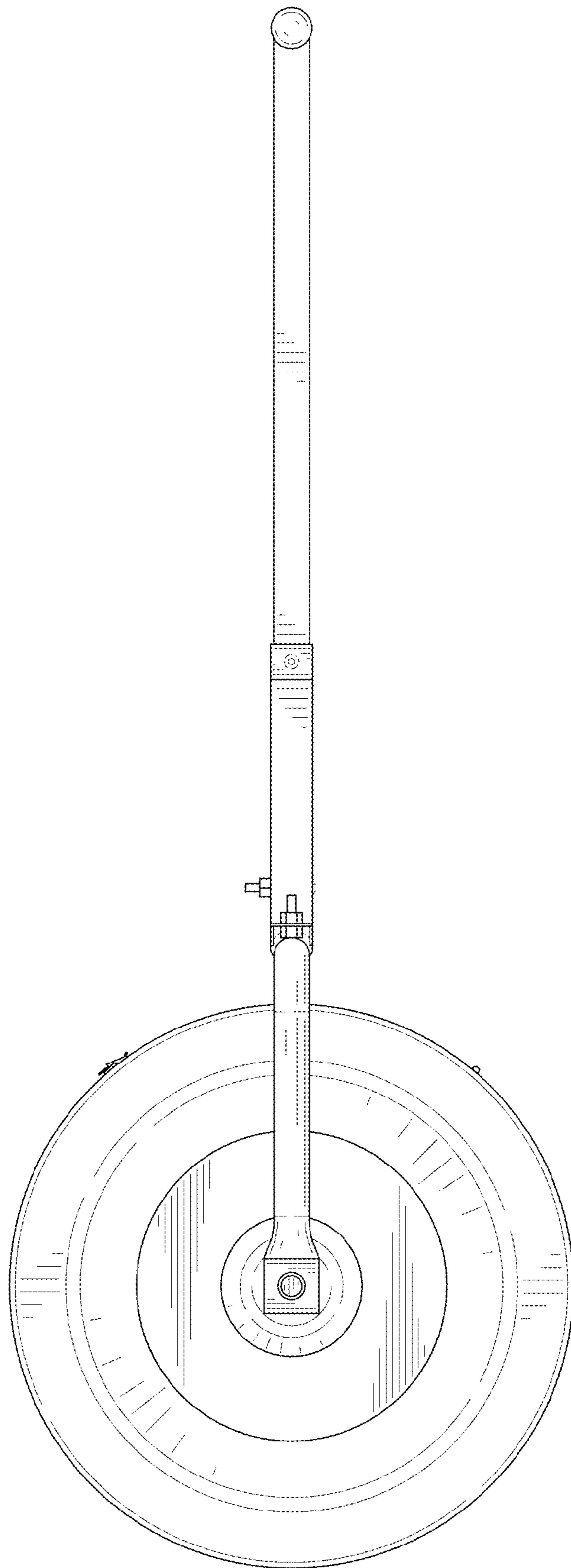


FIG. 6

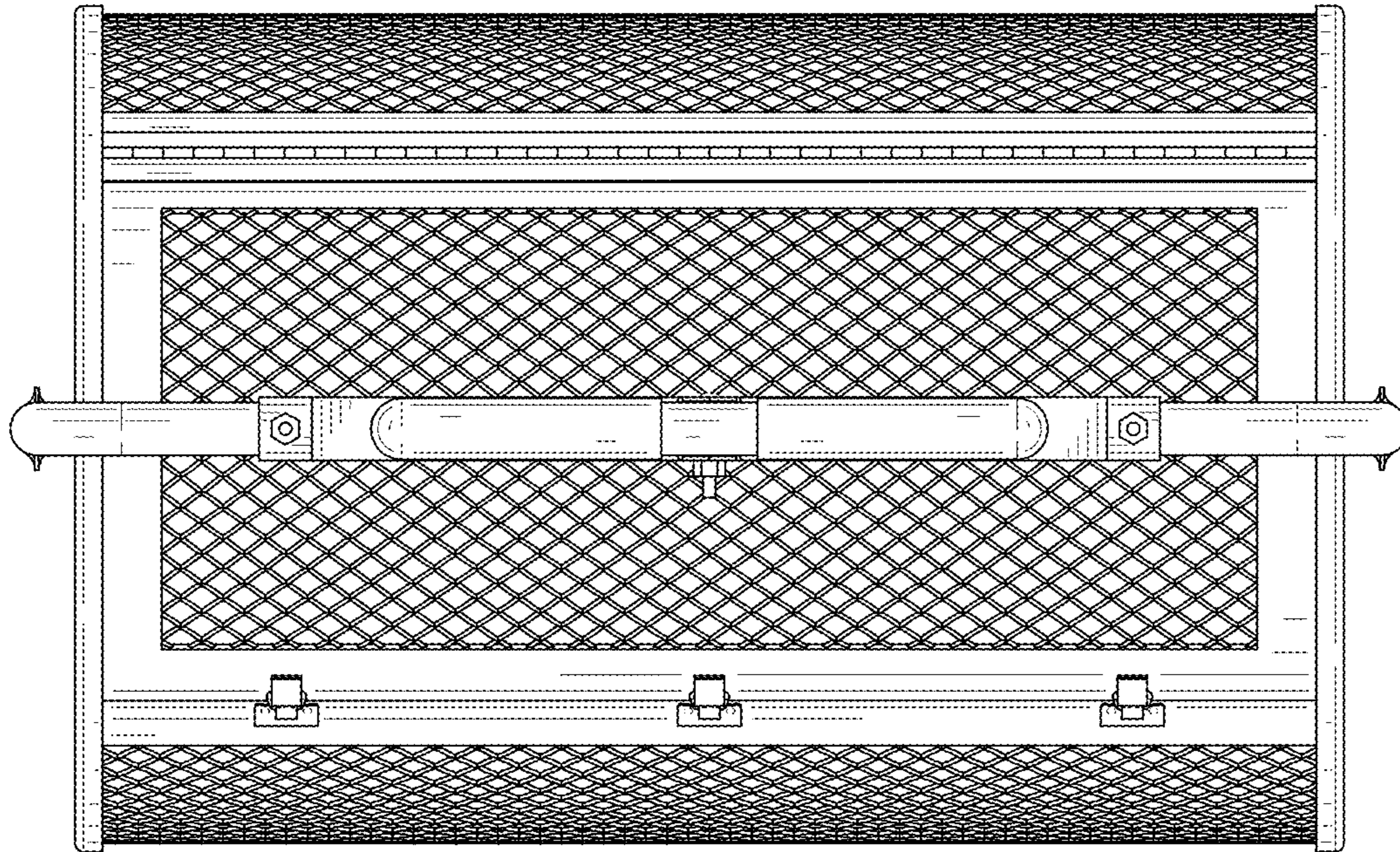


FIG. 7

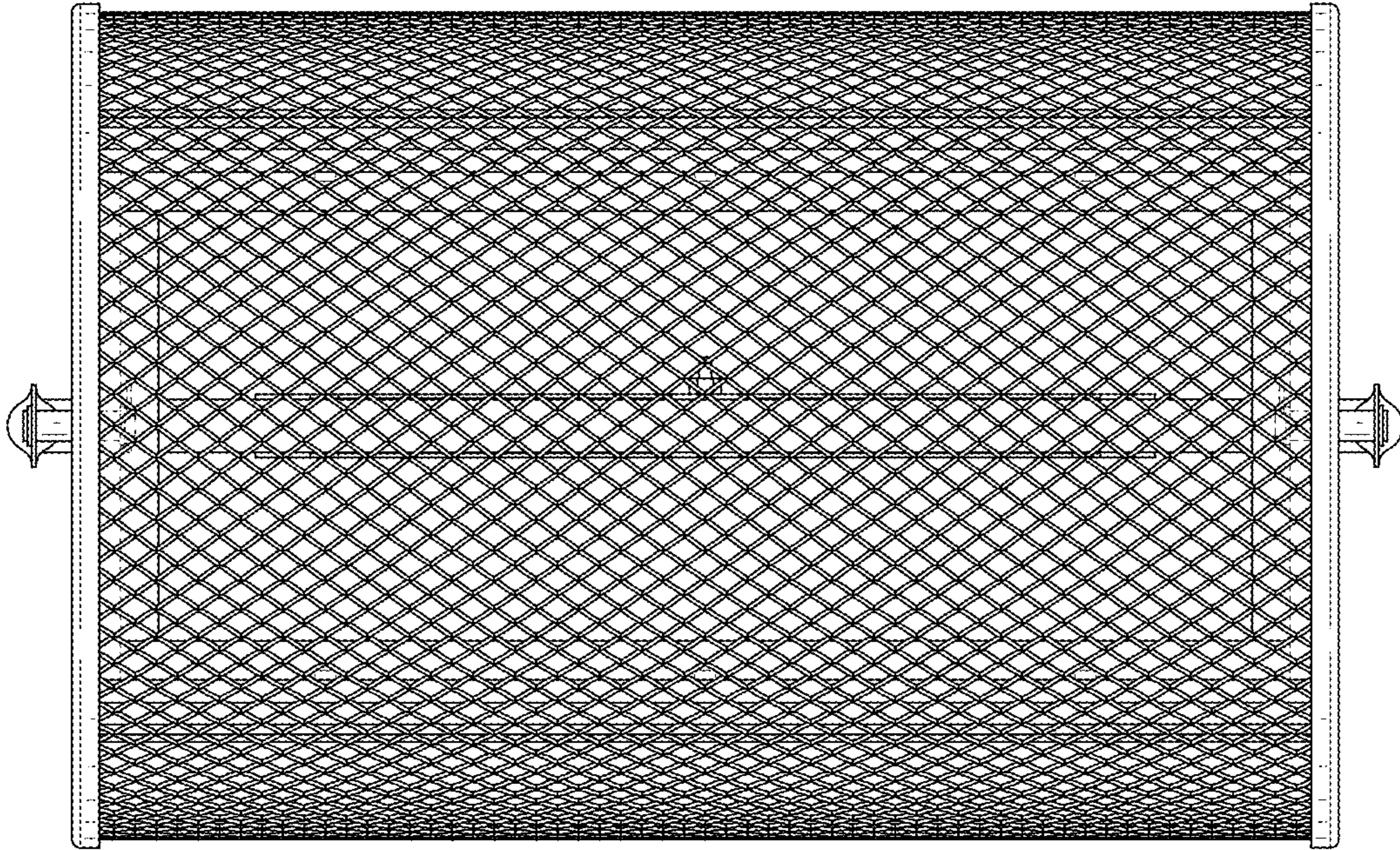


FIG. 8

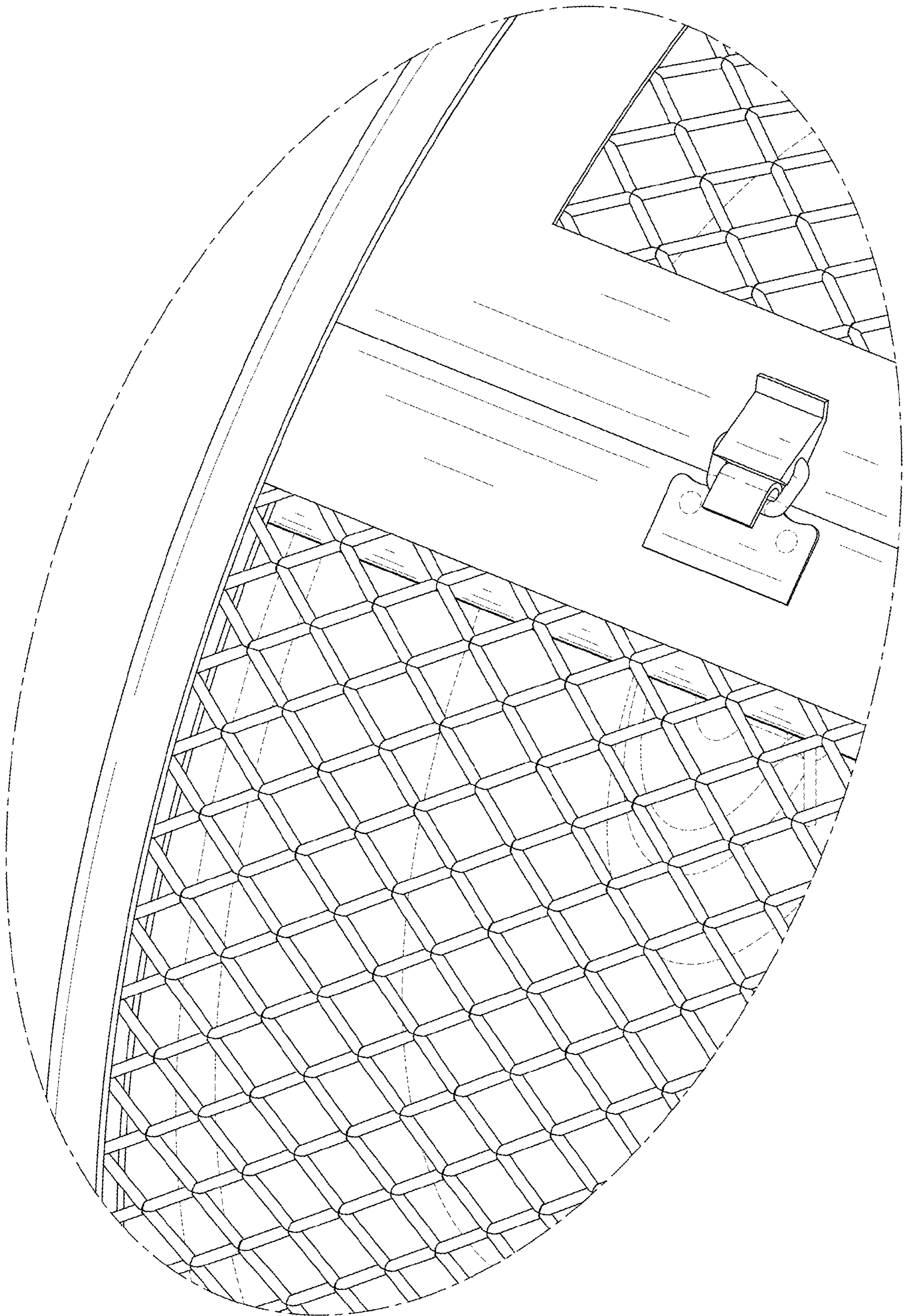


FIG. 9

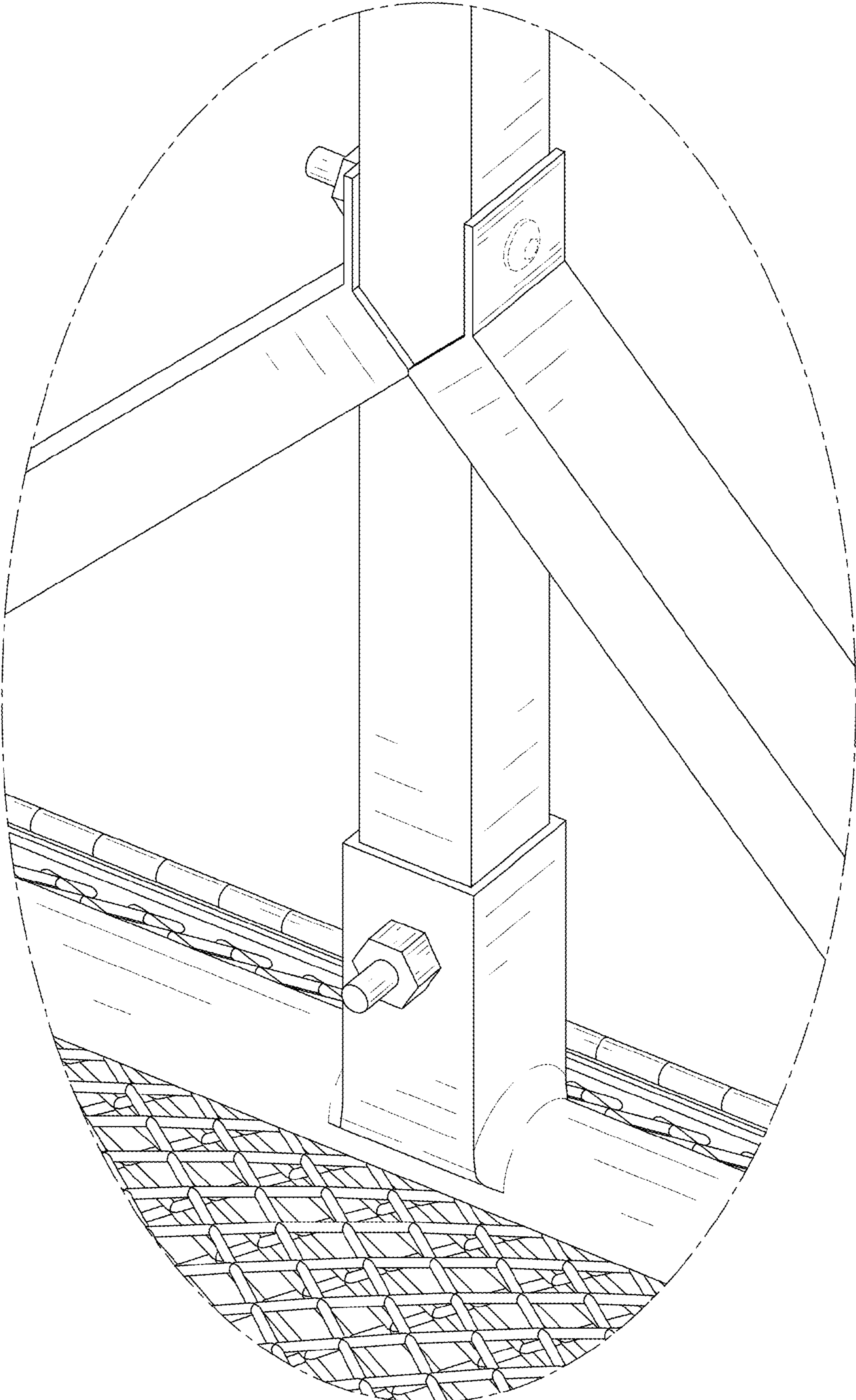


FIG. 10

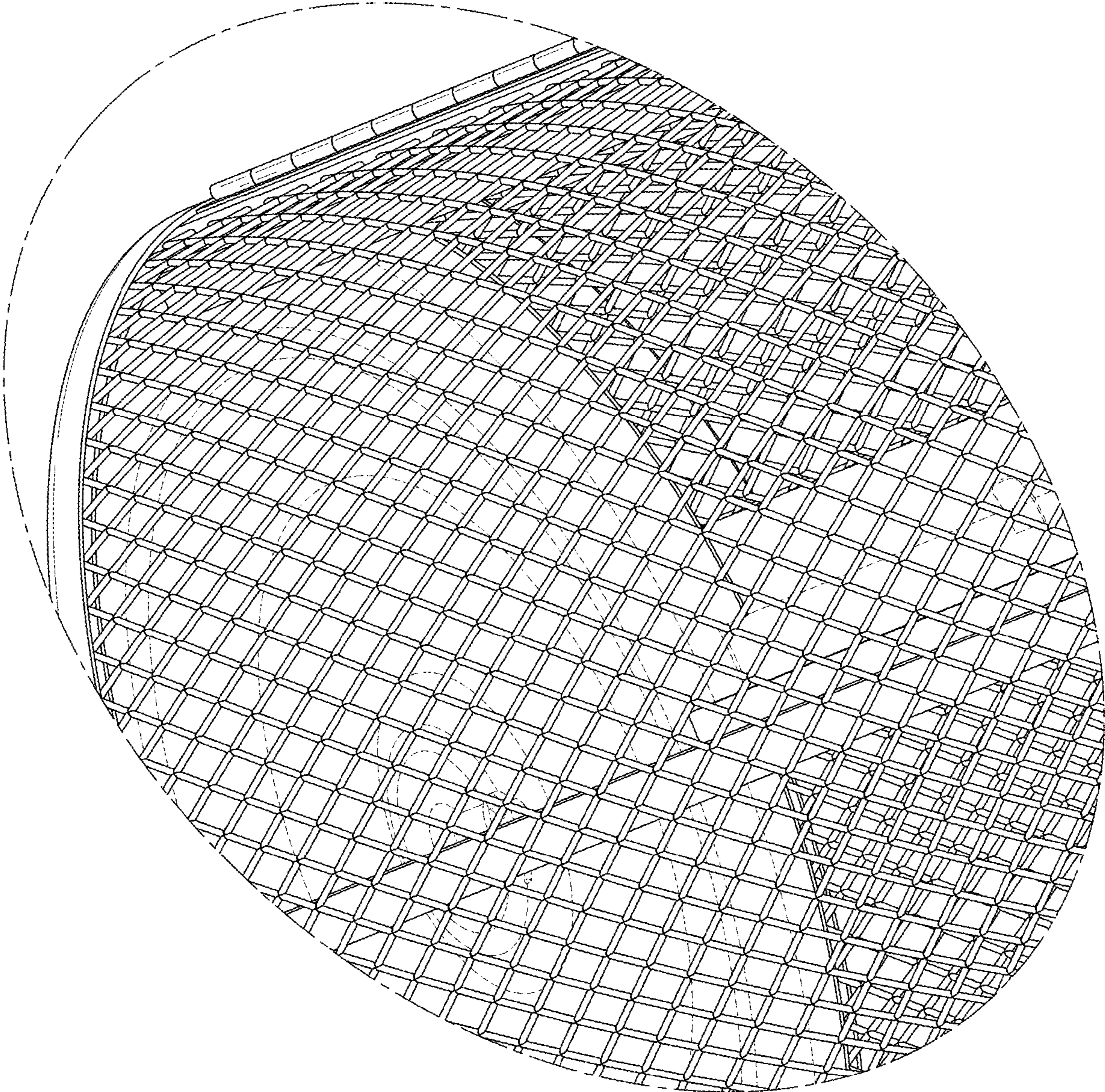


FIG. 11