



US00D982987S

(12) **United States Design Patent** (10) **Patent No.:** **US D982,987 S**  
**Au** (45) **Date of Patent:** **\*\* Apr. 11, 2023**

(54) **TURNING PEEL**  
(71) Applicant: **9666052 Canada Inc.**, Toronto (CA)  
(72) Inventor: **Matthew Au**, Toronto (CA)  
(73) Assignee: **9666052 CANADA INC.**, Toronto (CA)  
(\*\*) Term: **15 Years**  
(21) Appl. No.: **29/754,549**  
(22) Filed: **Oct. 12, 2020**  
(51) **LOC (14) Cl.** ..... **07-04**  
(52) **U.S. Cl.**  
USPC ..... **D7/692**  
(58) **Field of Classification Search**  
USPC ..... D7/680-696, 393, 395, 368, 669  
CPC ..... A21B 3/003; A21B 3/00; A47G 21/045;  
A47J 43/288; A47J 43/283; A47J 43/281;  
A47J 43/28; A47J 43/00; A47F 13/08  
See application file for complete search history.

Amazon.com, Chef Pomodoro Aluminum 9 Inch Turning Pizza Peel, Chef Pomodoro Store, ASIN: B0841PRDV2, 13 pages, date first available Jan. 19, 2020. (Year: 2020).\*

Amazon.com, Chef Pomodoro Aluminum 9 inch Turning Pizza Peel with detachable Wood Handle, Chef Pomodoro Store, ASIN: B08JMB1LNW, 9 pages, date first available Sep. 21, 2020. (Year: 2020).\*

Amazon.com, Chef Pomodoro Aluminum 9 inch Turning Pizza Peel, Chef Pomodoro Store, ASIN: B0841PRDV2, 13 pages, date first available Jan. 19, 2020 (Year: 2020).\*

\* cited by examiner

*Primary Examiner* — Terry A Wallace  
(74) *Attorney, Agent, or Firm* — Barlow, Josephs & Holmes, Ltd.; Stephen J. Holmes

(57) **CLAIM**

The ornamental design for a turning peel, as shown and described.

(56) **References Cited**

**U.S. PATENT DOCUMENTS**

573,574 A \* 12/1896 Davies ..... A47J 37/0694  
99/402  
D197,478 S \* 2/1964 Larson ..... D7/688  
4,753,472 A \* 6/1988 Fout ..... A47J 43/283  
294/8  
5,104,166 A \* 4/1992 Corsaro ..... A47J 43/283  
294/8  
5,213,384 A \* 5/1993 Baker ..... A21B 3/003  
294/7  
D394,192 S \* 5/1998 Deglon ..... D7/688  
D829,514 S \* 10/2018 Lin ..... D7/683

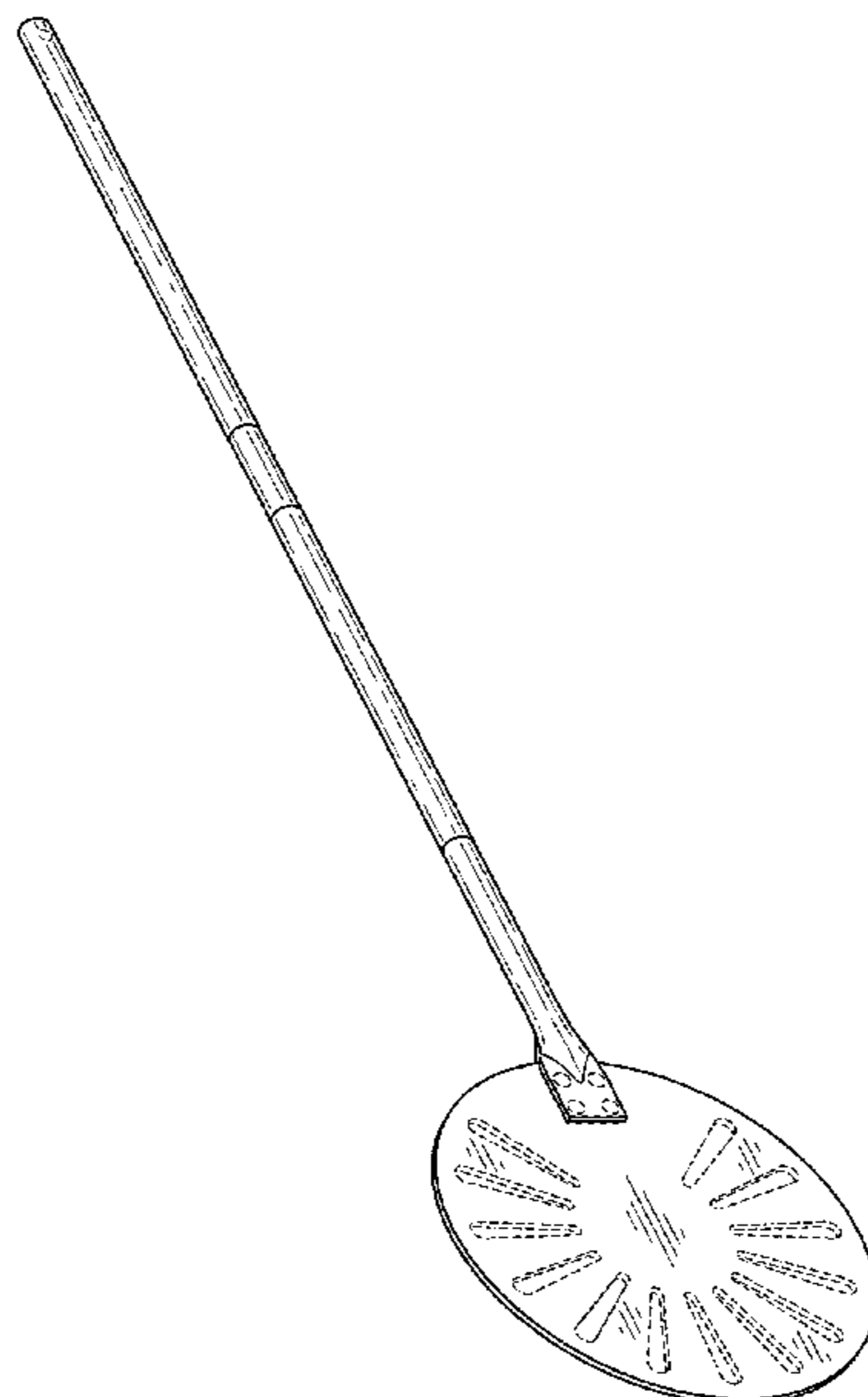
**OTHER PUBLICATIONS**

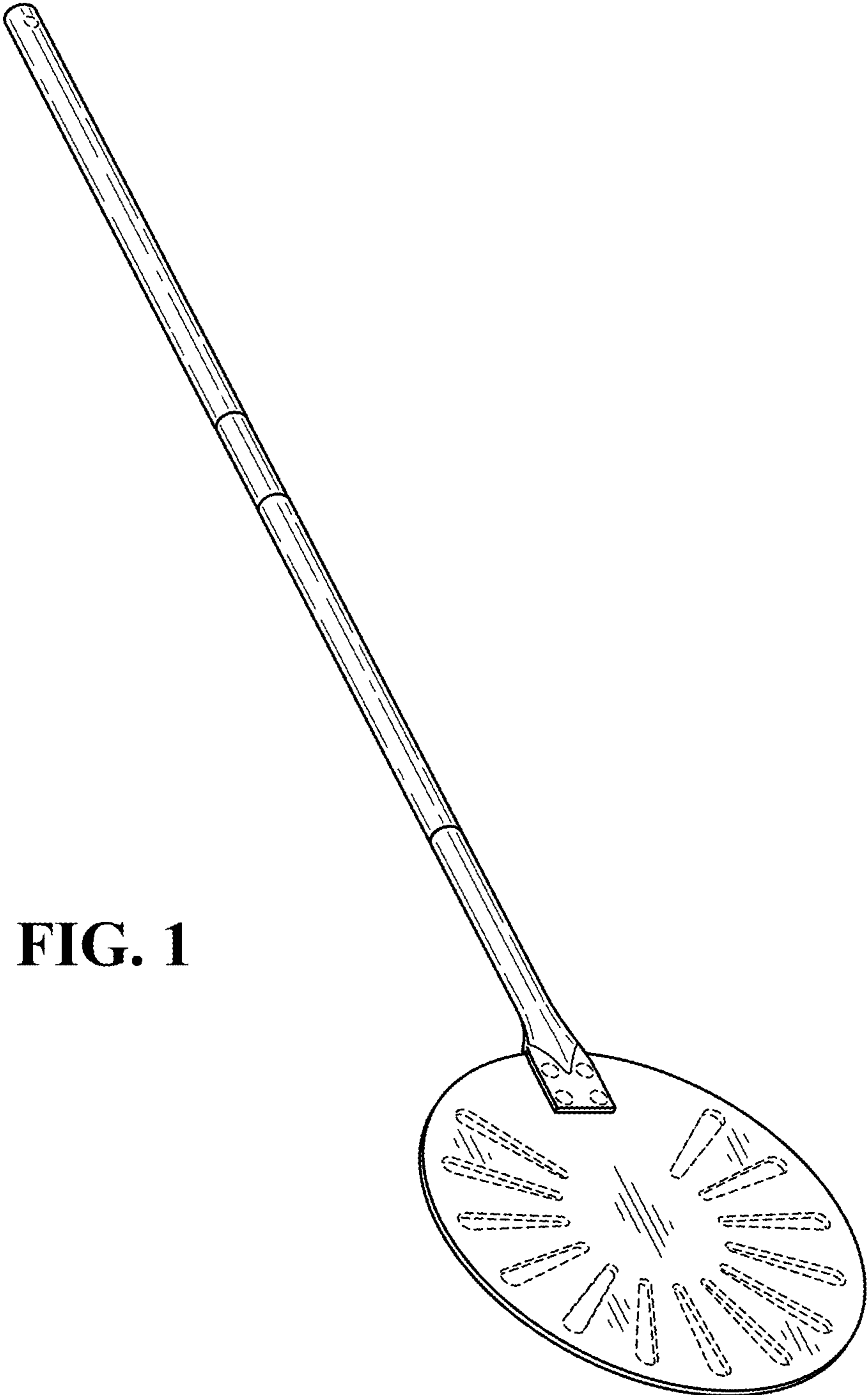
Amazon.com, Turning Pizza Peel, RTT Store, Turning Pizza Peel, ASIN: B091MG9LGR, 11 pages, date first available Apr. 2, 2021. (Year: 2021).\*

**DESCRIPTION**

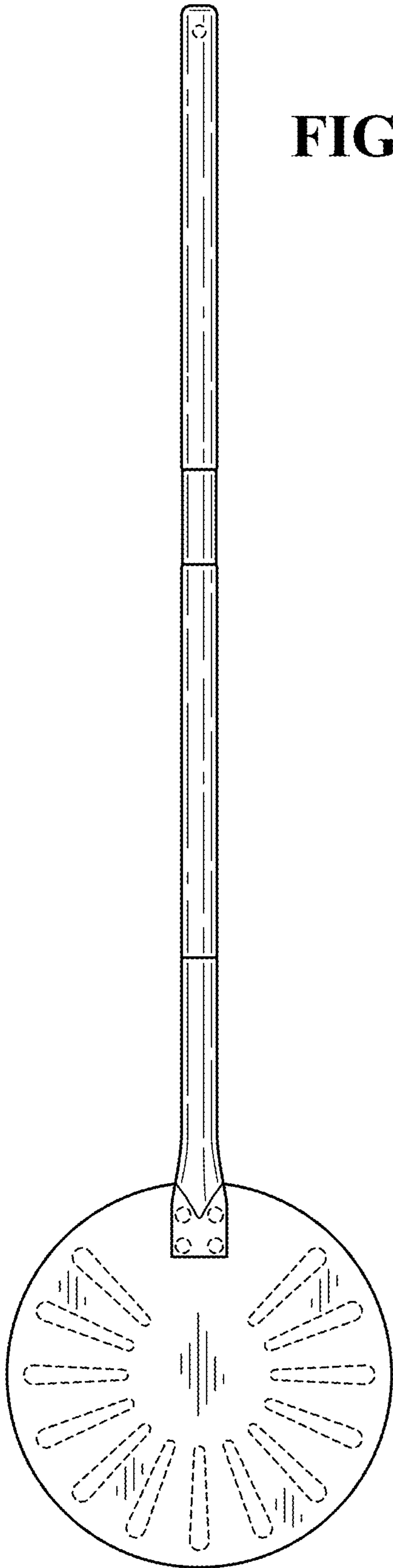
FIG. 1 is a perspective view of a turning peel in accordance with the present design and showing a handle in a fully extended state;  
FIG. 2 is a top view thereof;  
FIG. 3 is a bottom view thereof;  
FIG. 4 is a front view thereof;  
FIG. 5 is a rear view thereof;  
FIG. 6 is a right side view thereof;  
FIG. 7 is a left side view thereof;  
FIG. 8 is a top view thereof with the handle in an unextended state; and,  
FIG. 9 is a top view thereof with the handle in a disassembled state.  
The elements shown in broken lines in the Figures form no part of the claimed design.

**1 Claim, 6 Drawing Sheets**

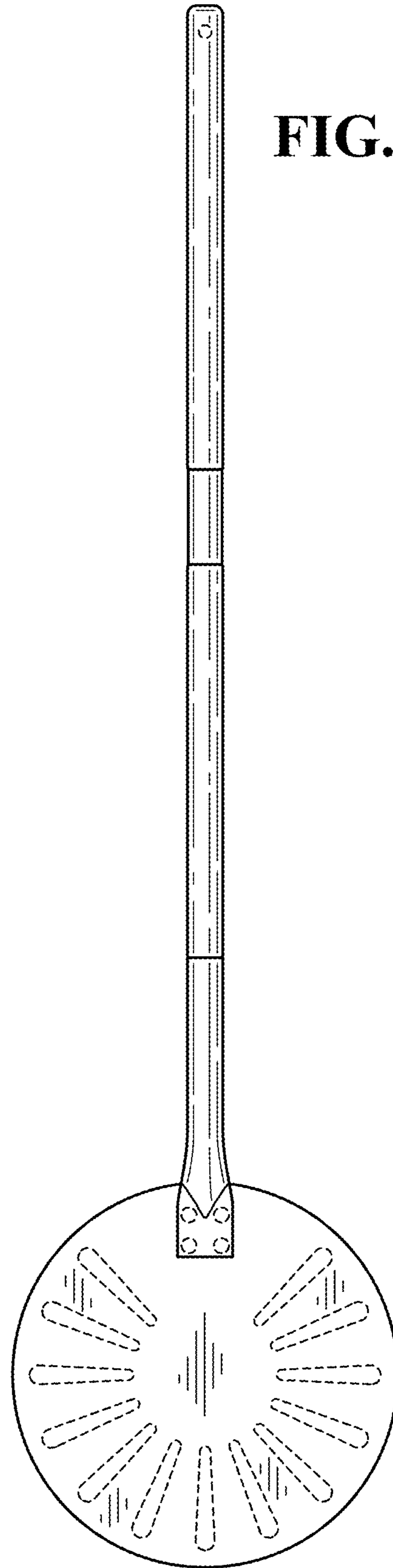




**FIG. 1**



**FIG. 2**



**FIG. 3**



**FIG. 4**



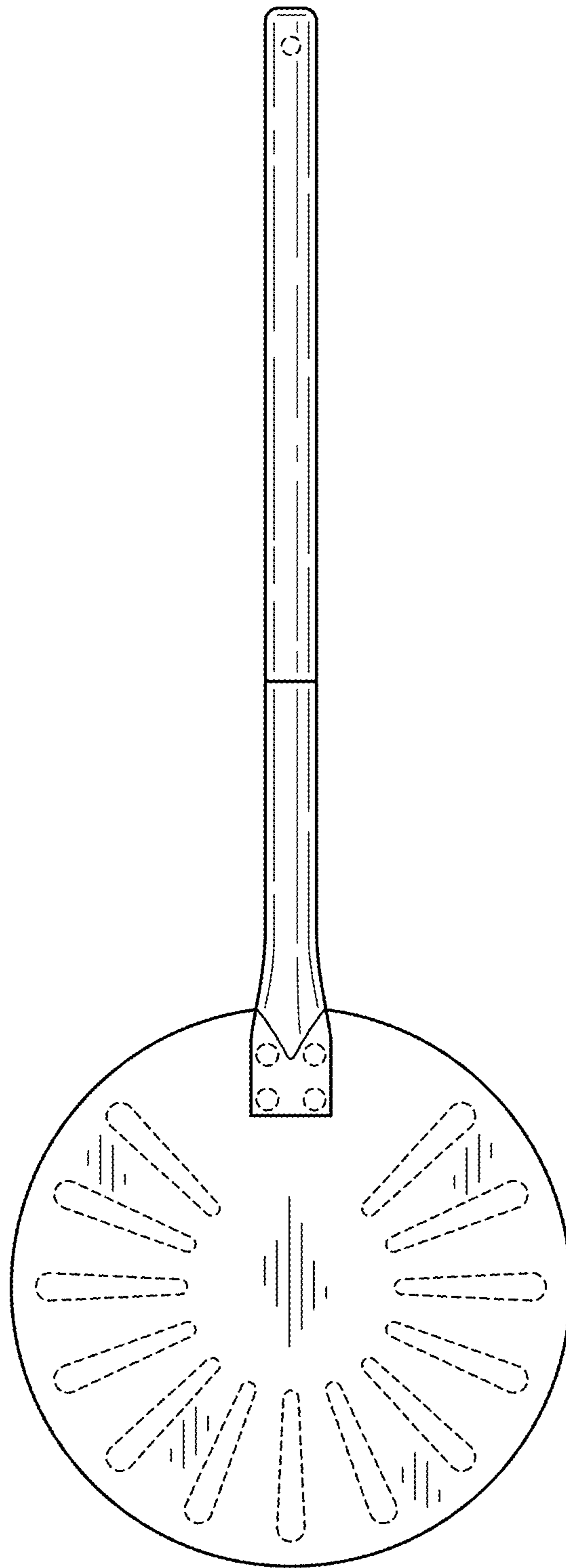
**FIG. 5**



**FIG. 6**



**FIG. 7**



**FIG. 8**

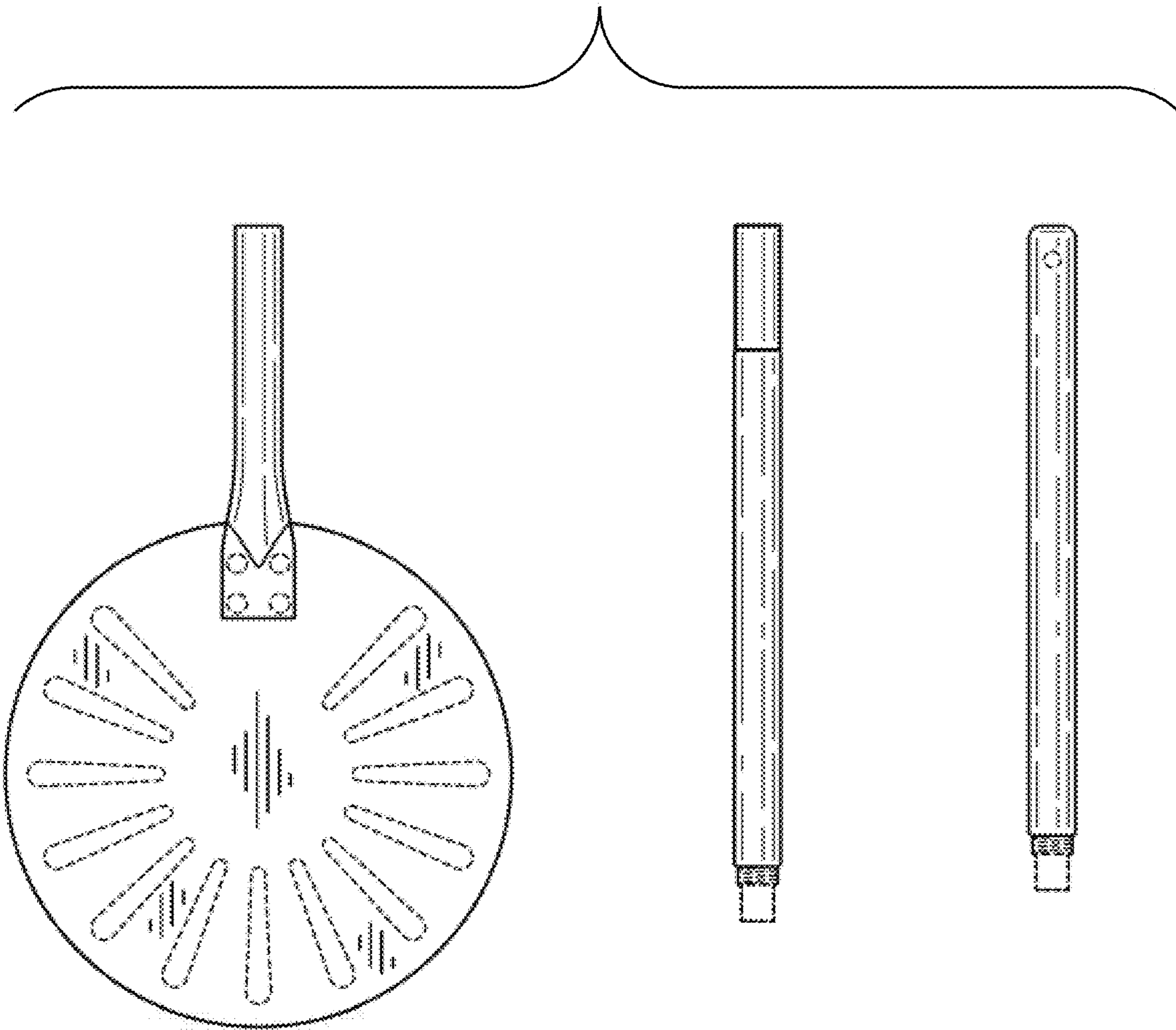


FIG. 9