



US00D982985S

(12) **United States Design Patent**
Jeong

(10) **Patent No.:** **US D982,985 S**
(45) **Date of Patent:** **** Apr. 11, 2023**

(54) **BOTTLE SLEEVE**
(71) Applicant: **Jiwon Jeong**, Seoul (KR)
(72) Inventor: **Jiwon Jeong**, Seoul (KR)
(**) Term: **15 Years**

5,022,235 A * 6/1991 Grissom F25D 3/08
62/530
5,915,580 A * 6/1999 Melk B65D 81/3886
220/592.24
D421,366 S * 3/2000 Mogil D7/625
(Continued)

(21) Appl. No.: **29/774,437**
(22) Filed: **Mar. 17, 2021**

(30) **Foreign Application Priority Data**

Sep. 22, 2020 (KR) 30-2020-0045466

(51) **LOC (14) Cl.** **07-01**

(52) **U.S. Cl.**
USPC **D7/624.1**; D7/607

(58) **Field of Classification Search**
USPC D7/605-608, 619.1-625; D3/229;
D9/444

CPC B65D 81/38; B65D 81/3876; B65D
81/3879; B65D 81/3881; B65D 81/3886;
B65D 81/3888; B65D 81/389; B65D
81/3893; B65D 81/3895; B65D 81/3869;
B65D 81/3897; B65D 81/3883; B65D
81/3837; B65D 81/3839; B65D 81/3841;
B65D 81/3844; B65D 81/3846; A47G
23/0241; A47G 23/0216; A47G 23/0258;
A47G 23/0266; F25D 3/08; F25D 31/007;
F25D 31/008; F25D 31/002; F25D
31/006; A45C 11/20
See application file for complete search history.

(56) **References Cited**

U.S. PATENT DOCUMENTS

2,376,194 A * 5/1945 Samuels B65D 65/08
D3/202
4,871,597 A * 10/1989 Hobson B32B 27/065
220/903

OTHER PUBLICATIONS

Amazon.Com, FLES, Forsit 64 oz Water Bottle—Half Gallon Water
Bottle with Sleeve, ASIN: B08PNRF8WD, 11 pages, date first
available Dec. 4, 2020 (Year: 2020).*

Primary Examiner — Terry A Wallace

(74) *Attorney, Agent, or Firm* — Willie Jacques; Emanus,
LLC

(57) **CLAIM**

The ornamental design for a bottle sleeve, as shown and
described.

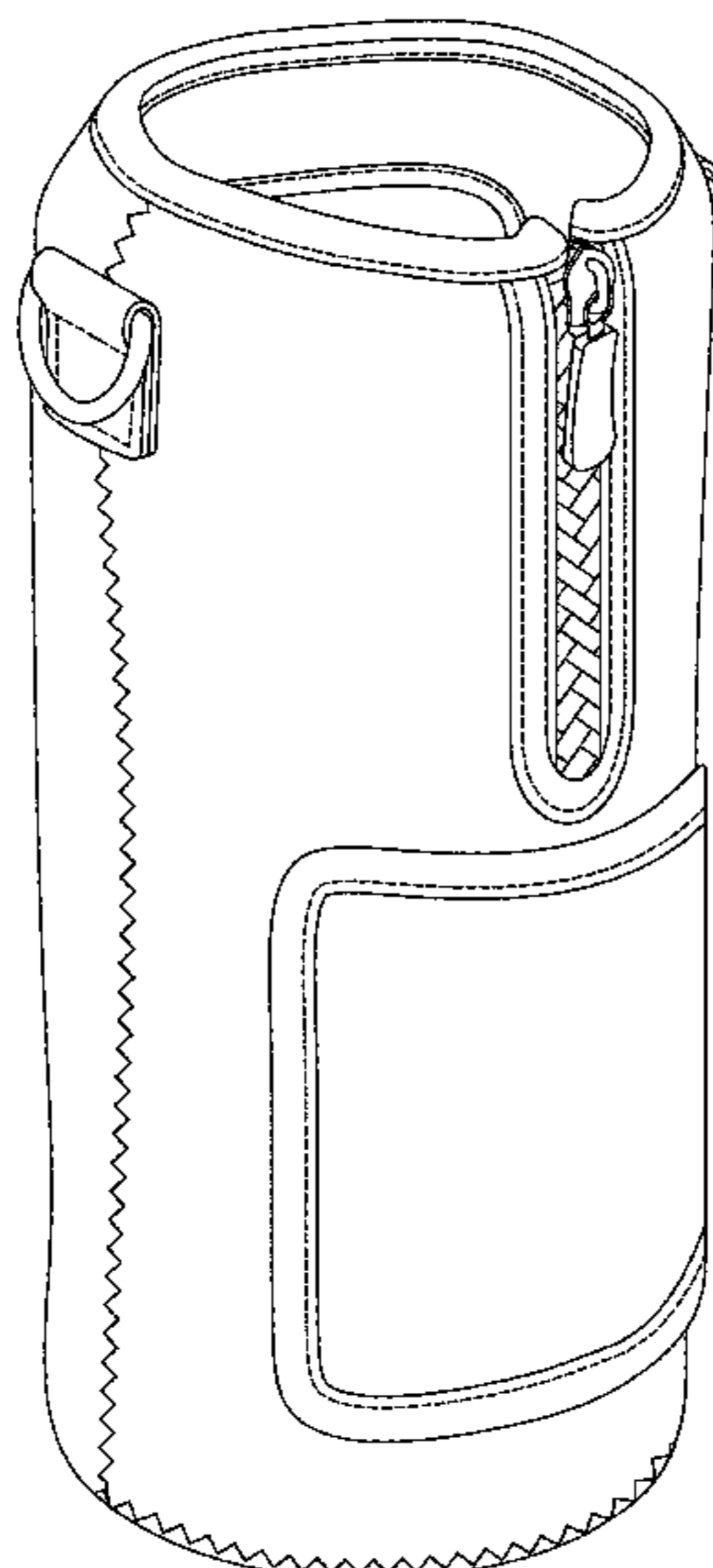
DESCRIPTION

FIG. 1 illustrates a perspective view of a bottle sleeve;
FIG. 2 illustrates a front view of the bottle sleeve of FIG. 1;
FIG. 3 illustrates a rear view of the bottle sleeve of FIG. 1;
FIG. 4 illustrates a left side view of the bottle sleeve of FIG.
1;
FIG. 5 illustrates a right side view of the bottle sleeve of
FIG. 1;
FIG. 6 illustrates a top view of the bottle sleeve of FIG. 1;
FIG. 7 illustrates a bottom view of the bottle sleeve of FIG.
1; and,
FIG. 8 illustrate another perspective view of the bottle sleeve
of FIG. 1.

The broken line shown in FIG. 8 are for the purpose of
illustrating portions of the bottle sleeve which form no part
of the claimed design.

The bottle sleeve of the present invention is used by the user
for covering the water bottle and to store the mobile phone
in the pocket of the bottle sleeve.

1 Claim, 8 Drawing Sheets



(56)

References Cited

U.S. PATENT DOCUMENTS

D666,060 S *	8/2012	Welch	D7/606
D681,326 S	5/2013	Willows et al.	
D701,433 S *	3/2014	Ahlstrom	D7/608
D735,472 S	8/2015	Waltrip	
D776,489 S	1/2017	Lee	
D796,270 S *	9/2017	McConnell	D7/625
D807,710 S *	1/2018	Halter	F25D 3/08 D7/607
D808,152 S	1/2018	Giannopoulos et al.	

* cited by examiner

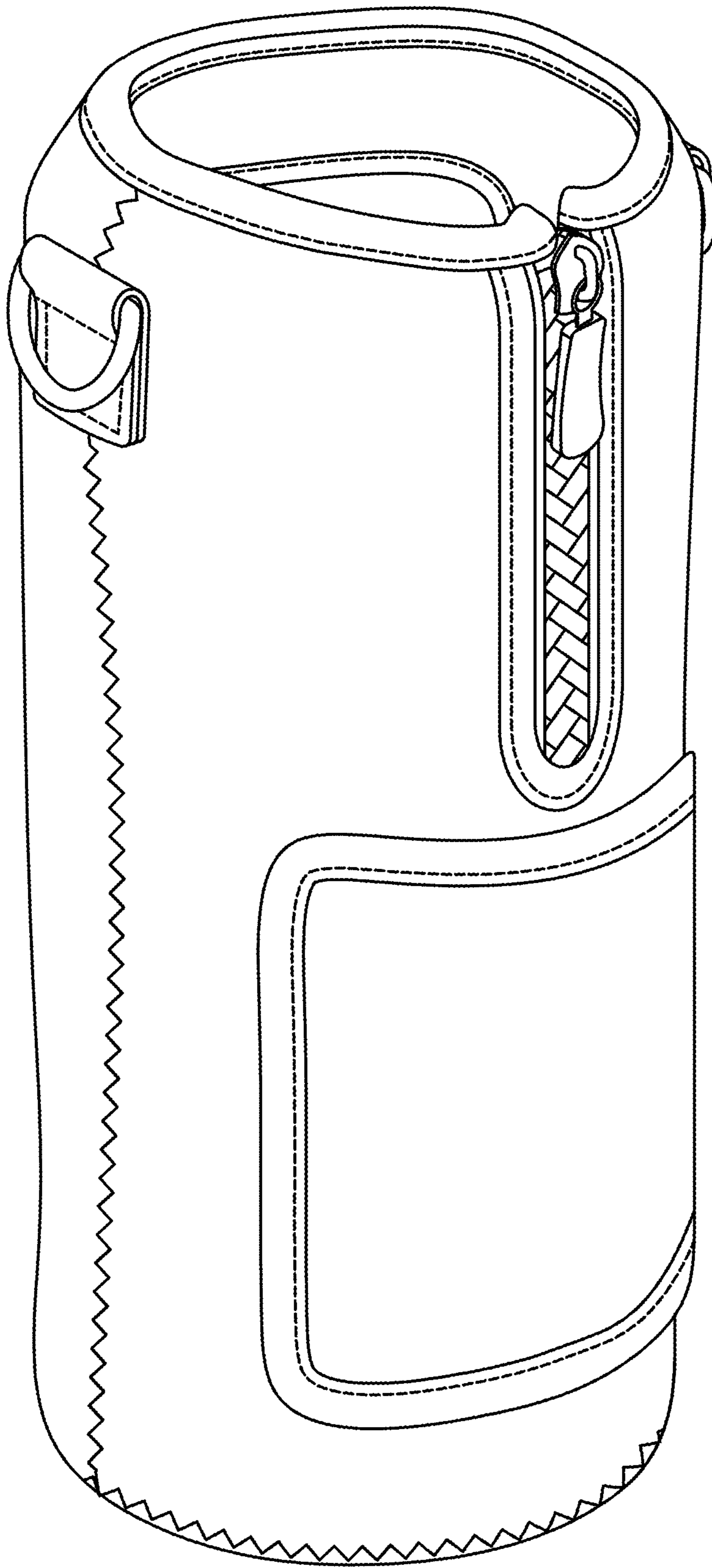


FIG. 1

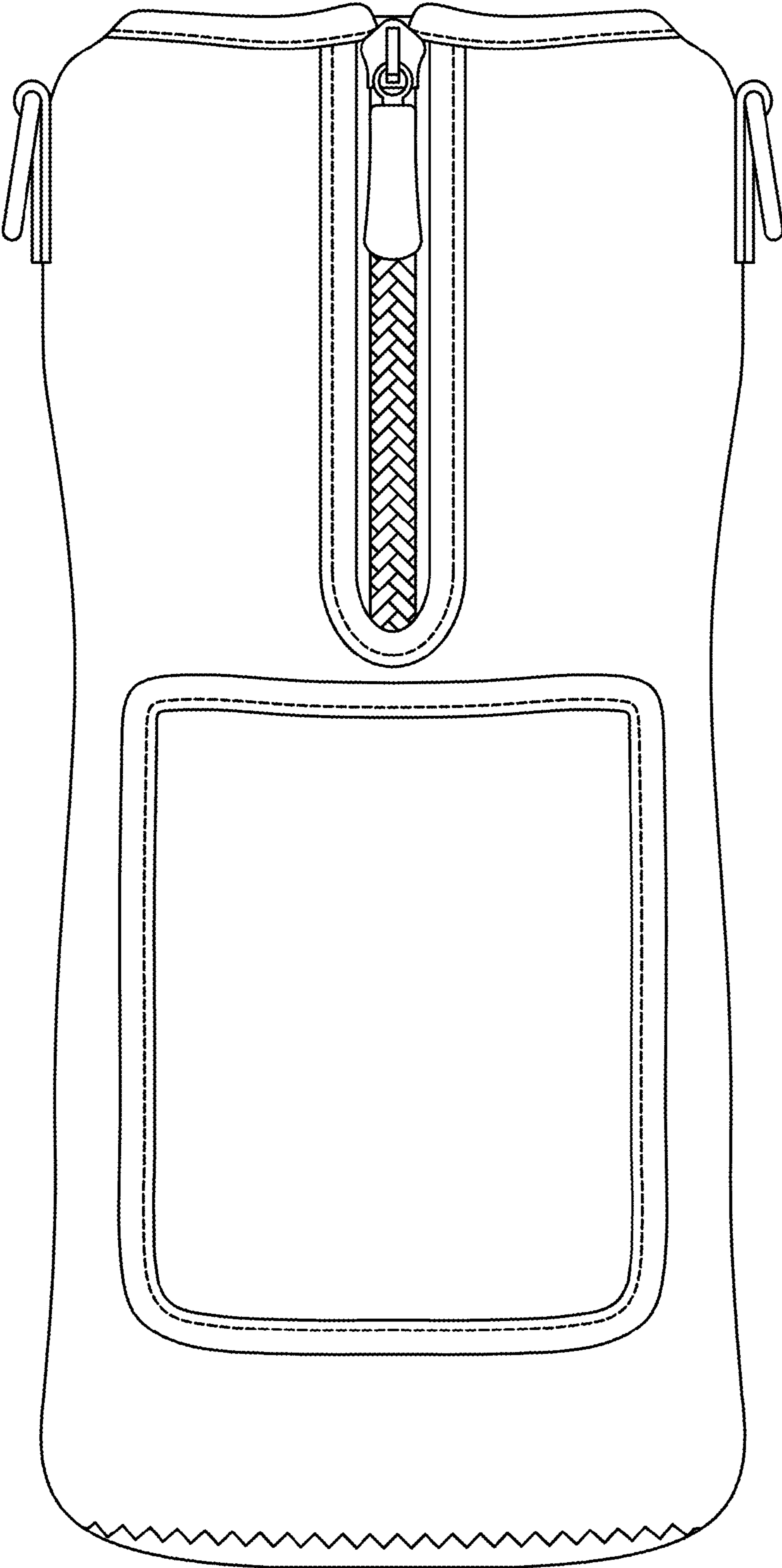


FIG. 2

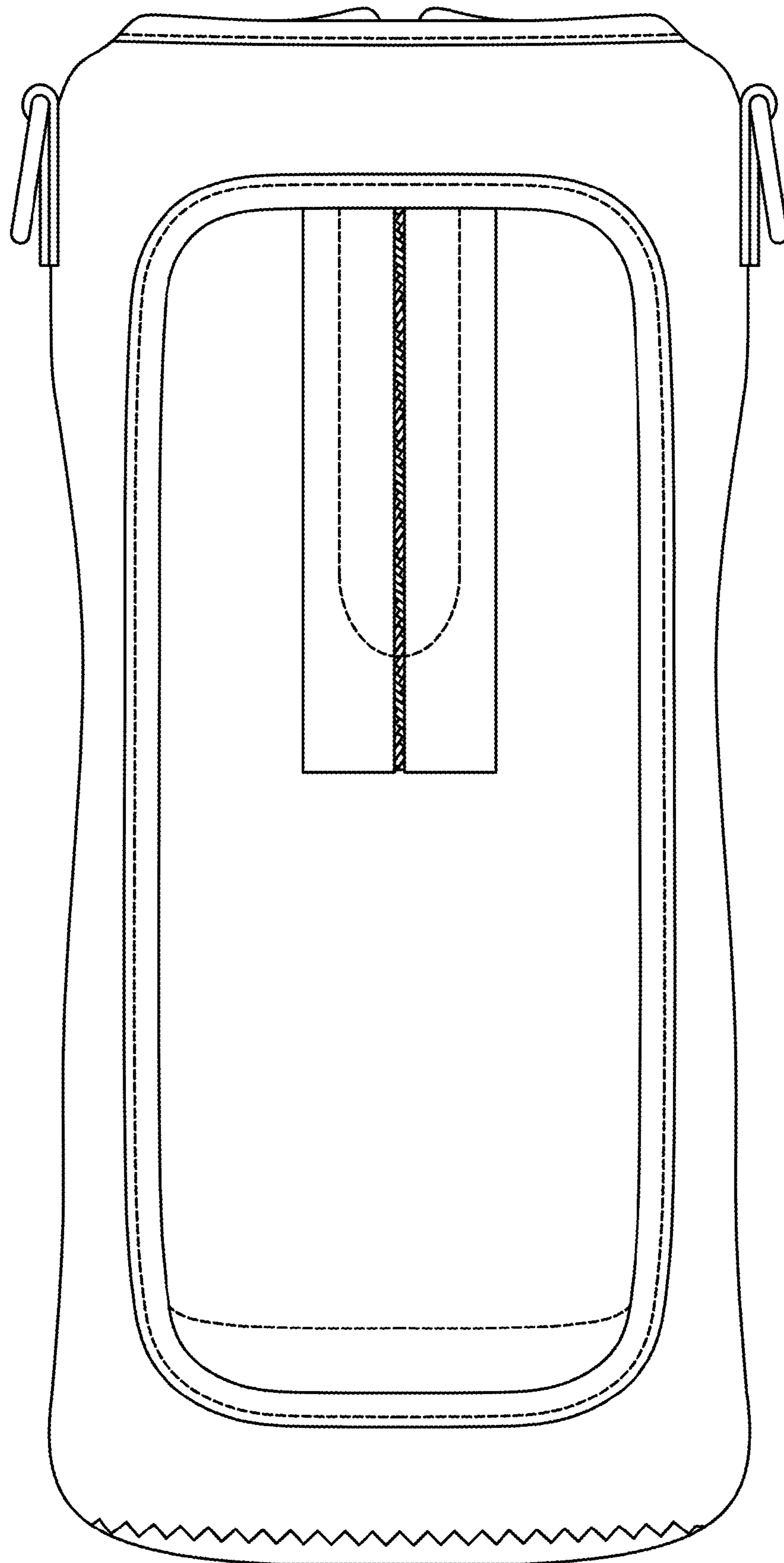


FIG. 3

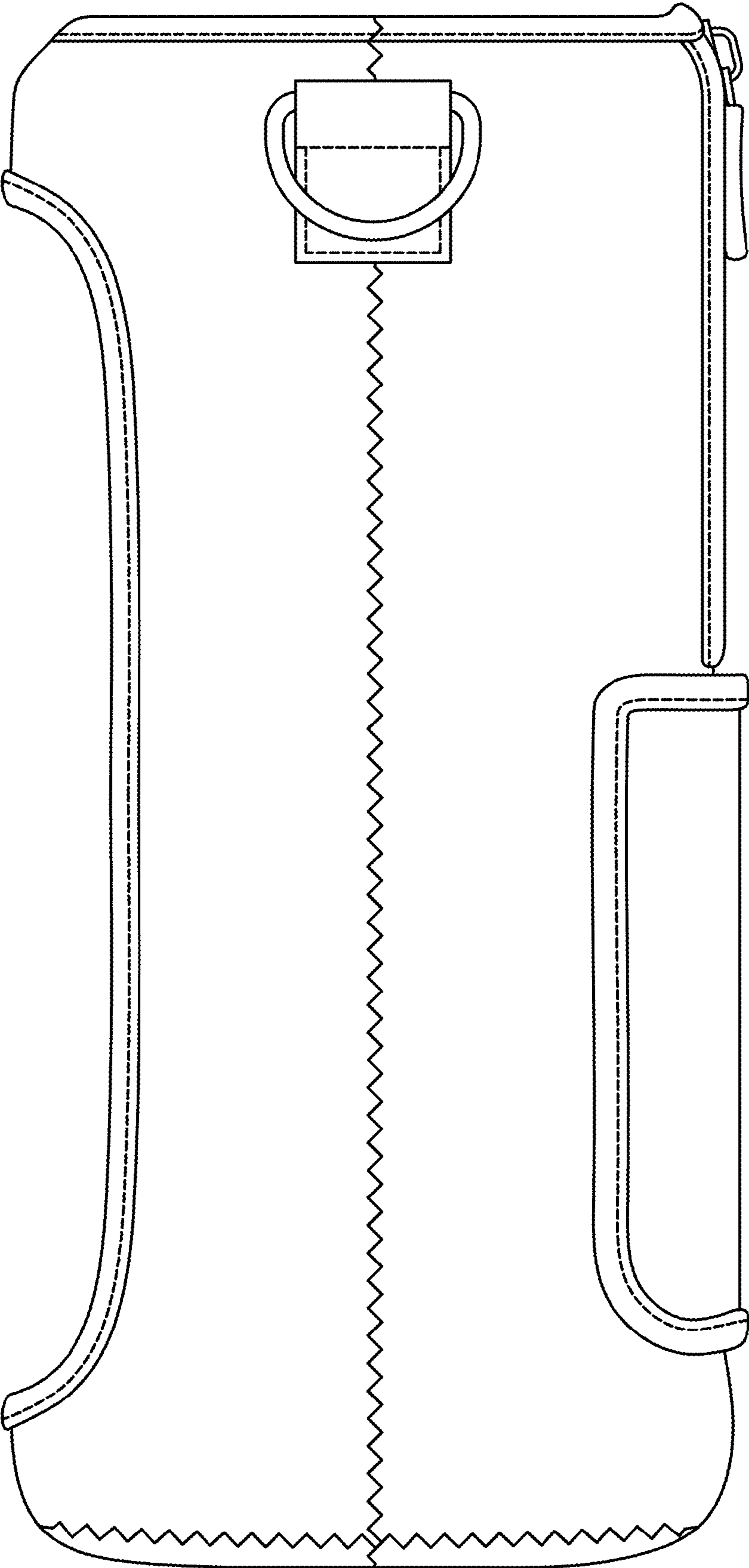


FIG. 4

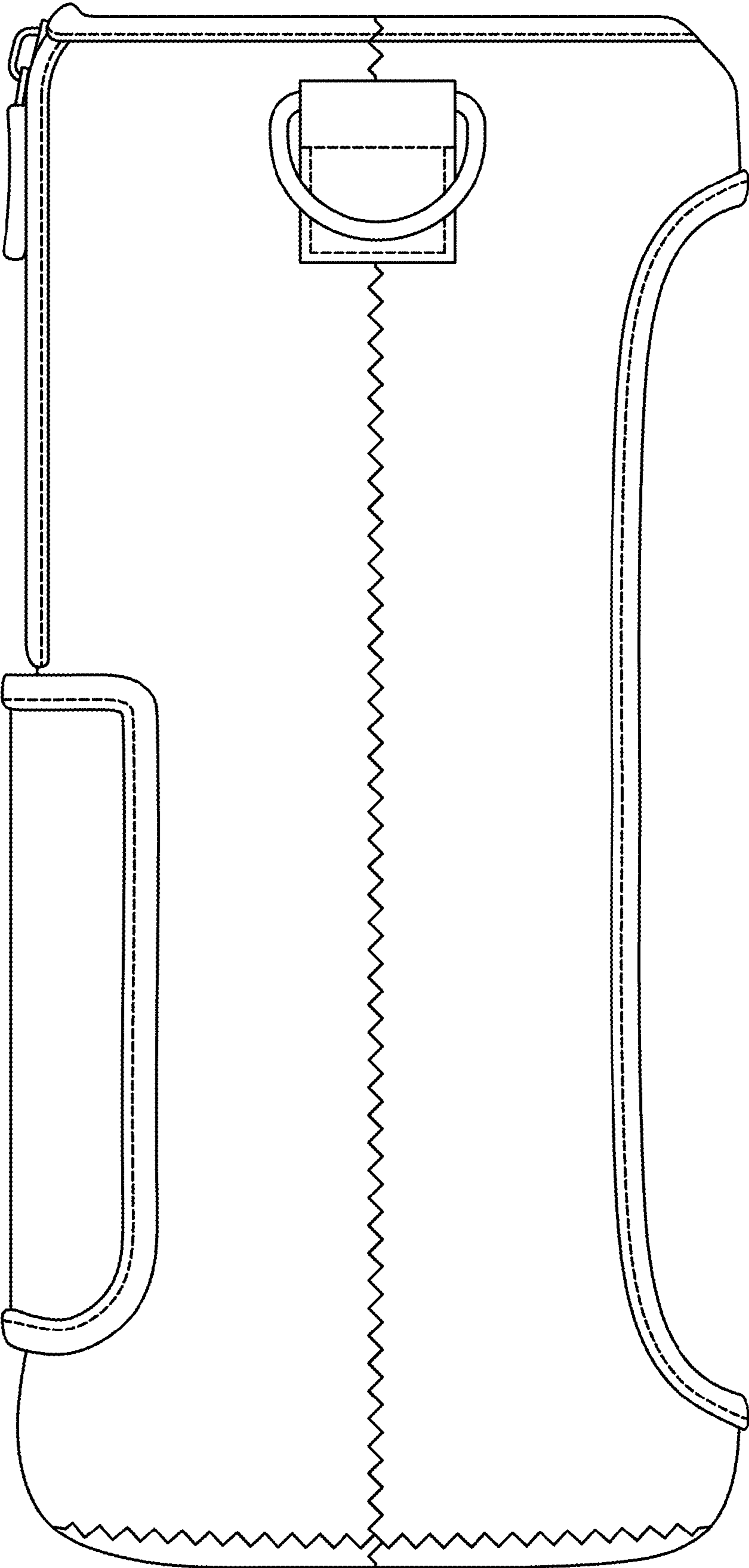


FIG. 5

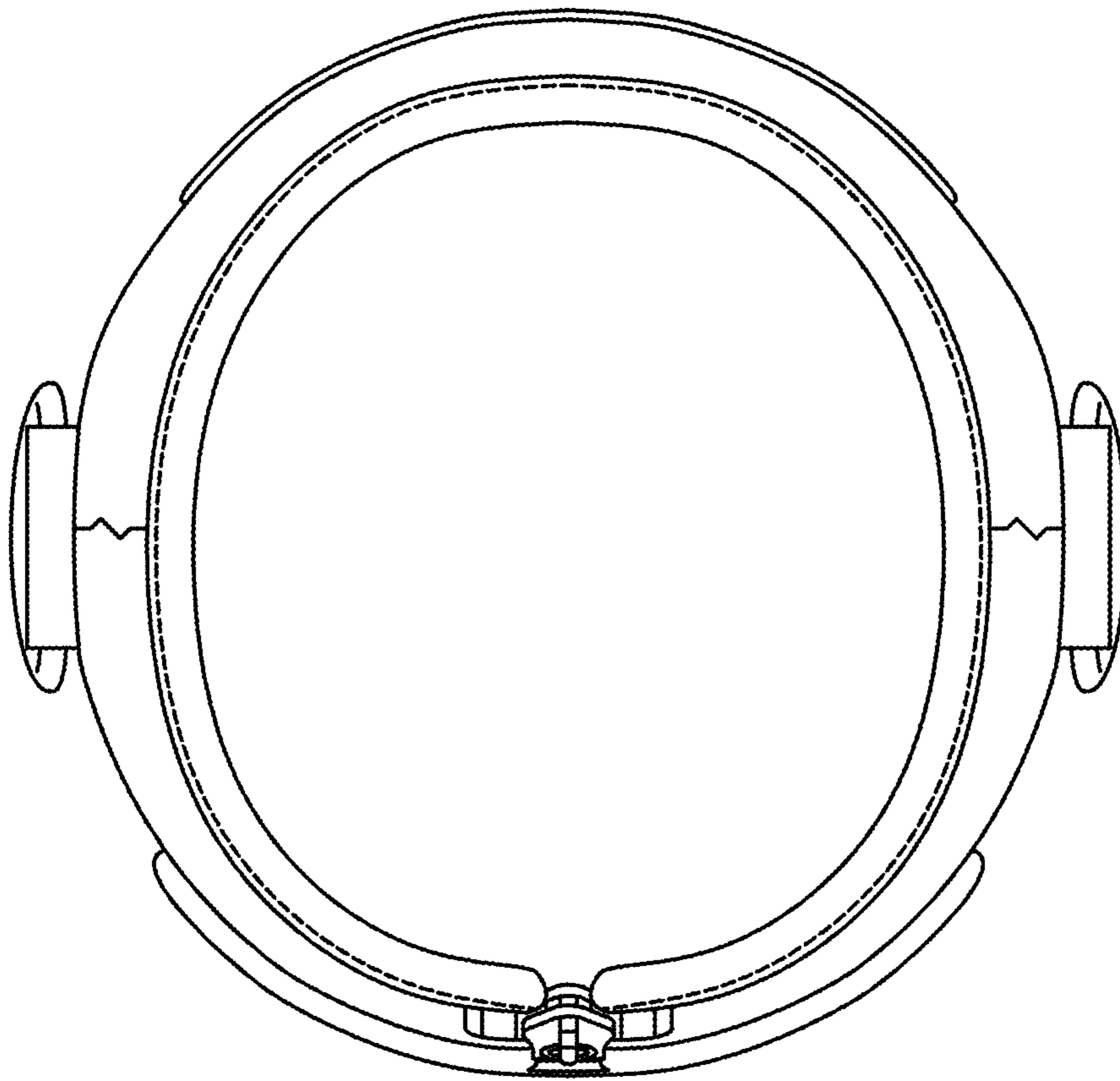


FIG. 6

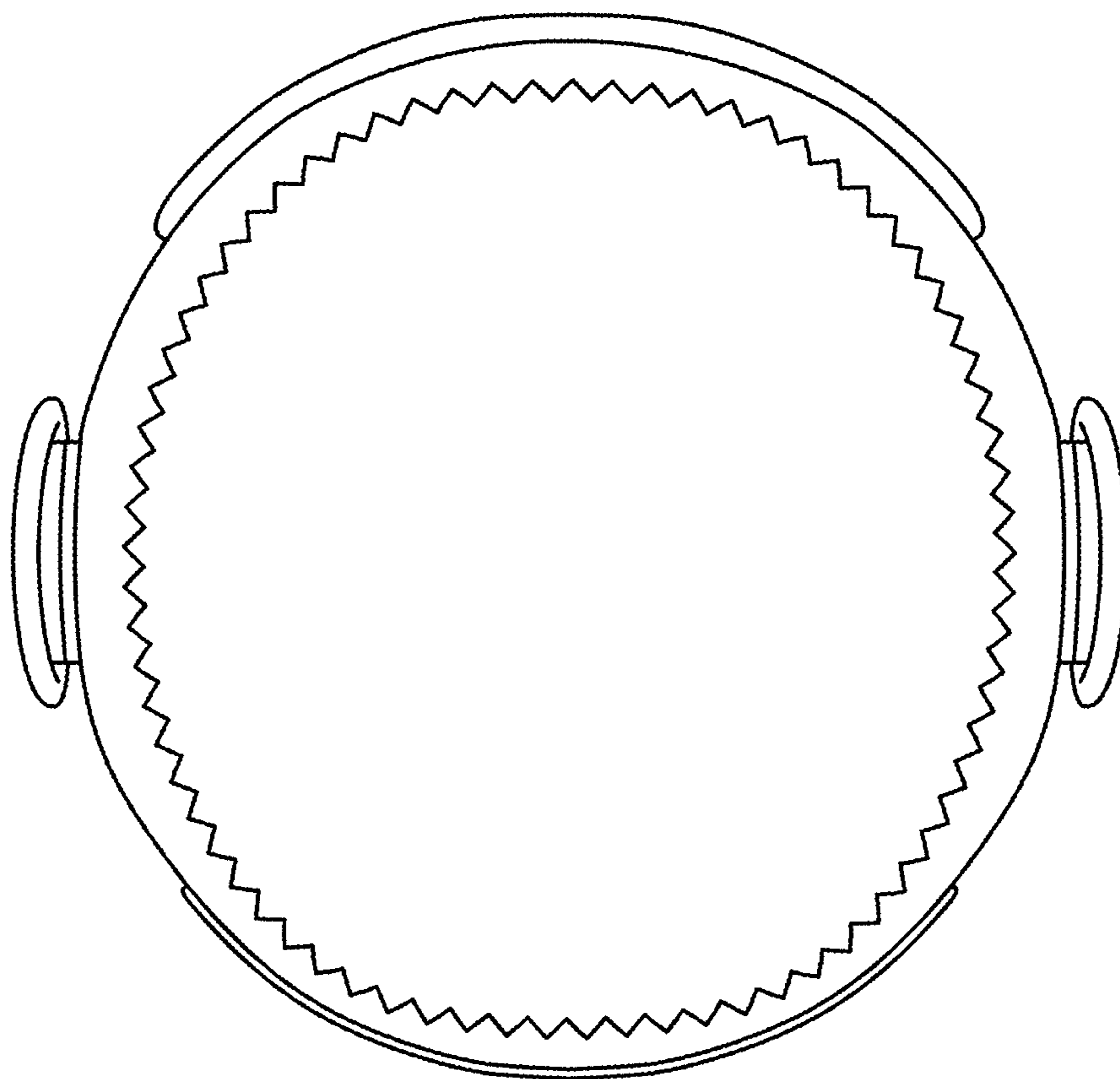


FIG. 7

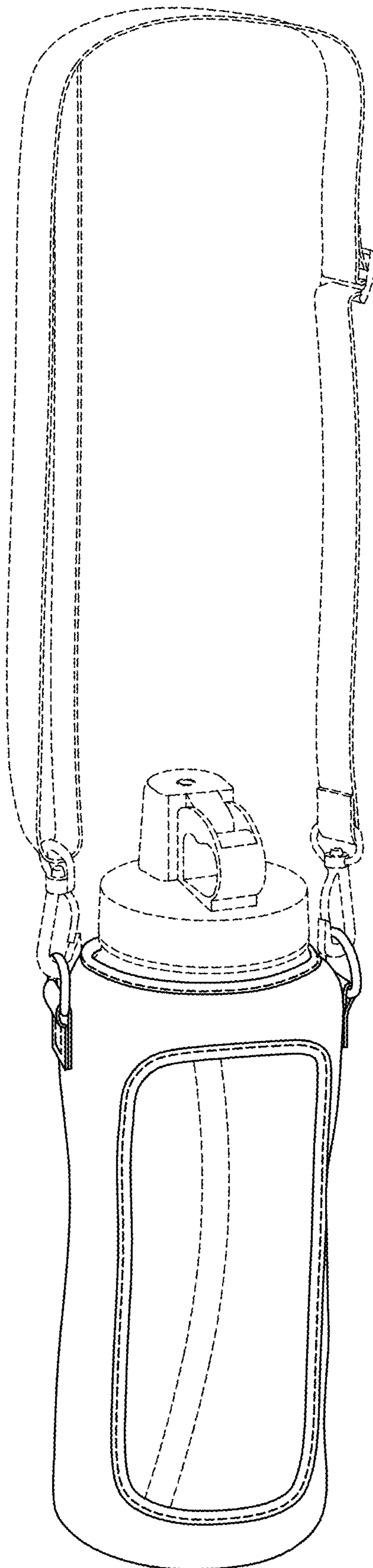


FIG. 8