



US00D982983S

(12) **United States Design Patent** (10) **Patent No.:** **US D982,983 S**
Stevens et al. (45) **Date of Patent:** **** Apr. 11, 2023**

(54) **CONDIMENT DISPENSER**
(71) Applicants: **Bryan Stevens**, Pasco, WA (US); **Chris Stevens**, Pasco, WA (US)
(72) Inventors: **Bryan Stevens**, Pasco, WA (US); **Chris Stevens**, Pasco, WA (US)
(**) Term: **15 Years**
(21) Appl. No.: **29/767,662**
(22) Filed: **Jan. 25, 2021**
(51) **LOC (14) Cl.** **07-06**
(52) **U.S. Cl.**
USPC **D7/590**
(58) **Field of Classification Search**
USPC D7/401.1, 500, 505, 509-511, 513, 590,
D7/591, 596, 597, 599, 601, 602, 629;
D9/503, 523, 524, 516, 526, 529, 530,
D9/537, 538, 549, 554, 556, 558, 741,
D9/743, 761
CPC A47G 19/18; A47G 19/183; A47G 19/24;
A47G 2019/122; B65D 1/02; B65D
1/0223; B65D 1/04; B65D 47/04; B65D
47/06; B65D 47/147
See application file for complete search history.

D895,362 S * 9/2020 Lue D9/524
D957,263 S * 7/2022 Tse A45D 40/22
D9/741
2016/0096673 A1* 4/2016 Leibovitch B65D 1/04
426/2

OTHER PUBLICATIONS

7 More Bifurcated, Dual-Chambered Bottles, first available Jun. 12, 2015, Beach Packaging Design, [online], [site visited Nov. 4, 2022], Available from internet URL: <https://beachpackagingdesign.com/boxvox/7-more-bifurcated-dual-chambered-bottles> (Year: 2015).*
Multi-Squeeze Inc., Fundable, [online], [site visited Nov. 4, 2022], Available from internet URL: <https://www.fundable.com/multi-squeeze> (Year: 2022).*

* cited by examiner

Primary Examiner — Mary Ann Calabrese
Assistant Examiner — Natalya M Rapundalo
(74) *Attorney, Agent, or Firm* — Dean A. Craine, P.S.

(57) **CLAIM**

The ornamental design for a condiment dispenser, as shown and described.

DESCRIPTION

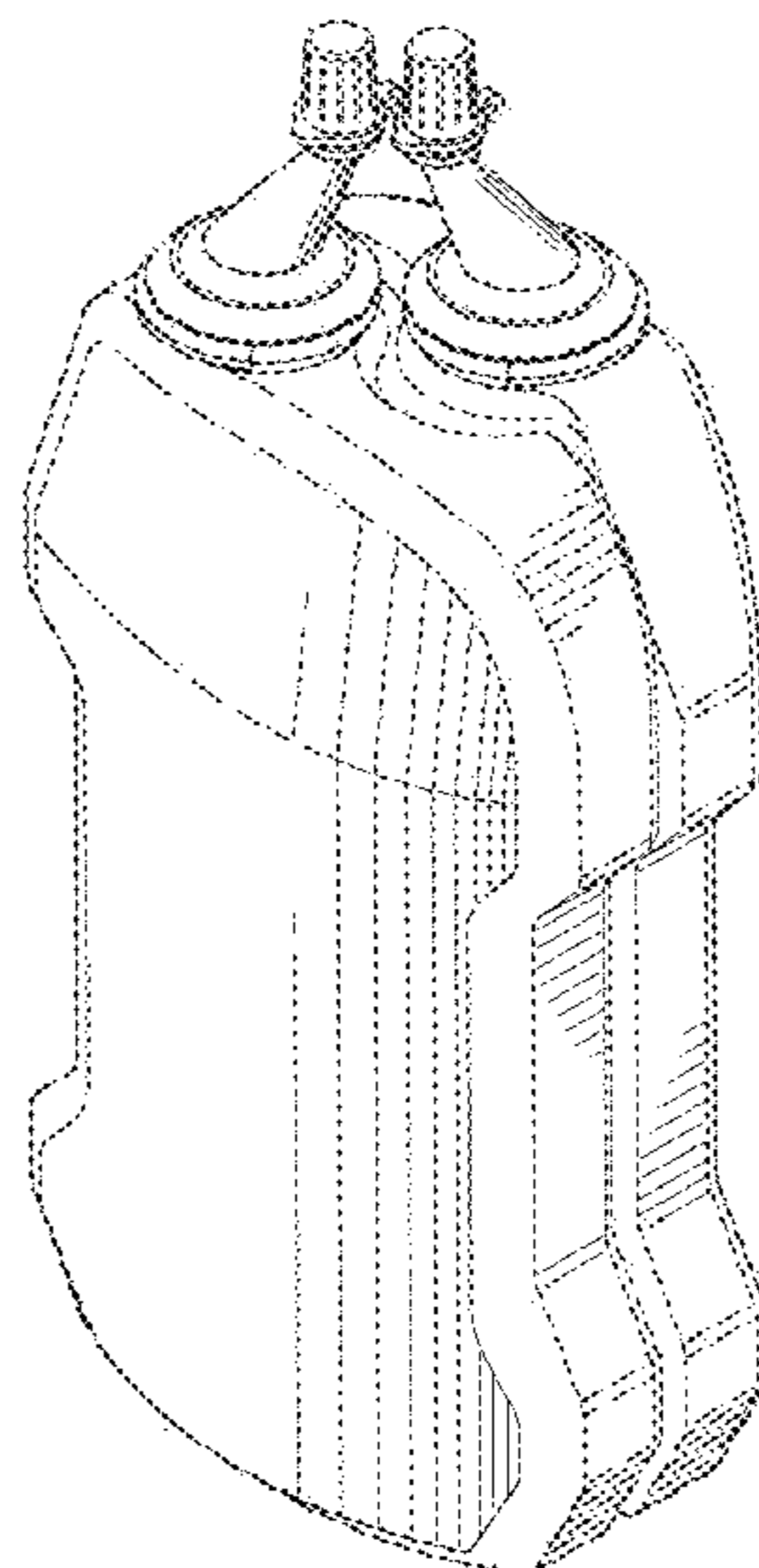
FIG. 1 is a top, front perspective view of a condiment dispenser showing our new design;
FIG. 2 is a front elevational view thereof;
FIG. 3 is a top plan view thereof;
FIG. 4 is back elevational view thereof;
FIG. 5 is a right side elevational view thereof.
FIG. 6 is a bottom plan view thereof;
FIG. 7 is a left side elevational view thereof; and
FIG. 8 is a sectional view taken along line 8-8 in FIG. 2.
FIG. 9 is an elevational view showing the rear surface of the front condiment container; and,
FIG. 10 is an elevational view showing the front surface of the rear condiment container.

1 Claim, 4 Drawing Sheets

(56) **References Cited**

U.S. PATENT DOCUMENTS

D175,598 S * 9/1955 Hills D7/590
D340,518 S * 10/1993 Stahmer, Jr. D7/510
D374,797 S * 10/1996 Squire D7/510
D432,918 S * 10/2000 Aftoora D7/590
D539,167 S * 3/2007 Garrett D9/563
D539,668 S * 4/2007 Muhlhausen D9/741
D556,058 S * 11/2007 Bowers D9/741
D649,057 S * 11/2011 Renz D9/516
D673,814 S * 1/2013 Honein D7/590
D767,342 S * 9/2016 Alyas D7/590
D773,898 S * 12/2016 Fellin D7/602
D805,401 S * 12/2017 Boctor D9/741



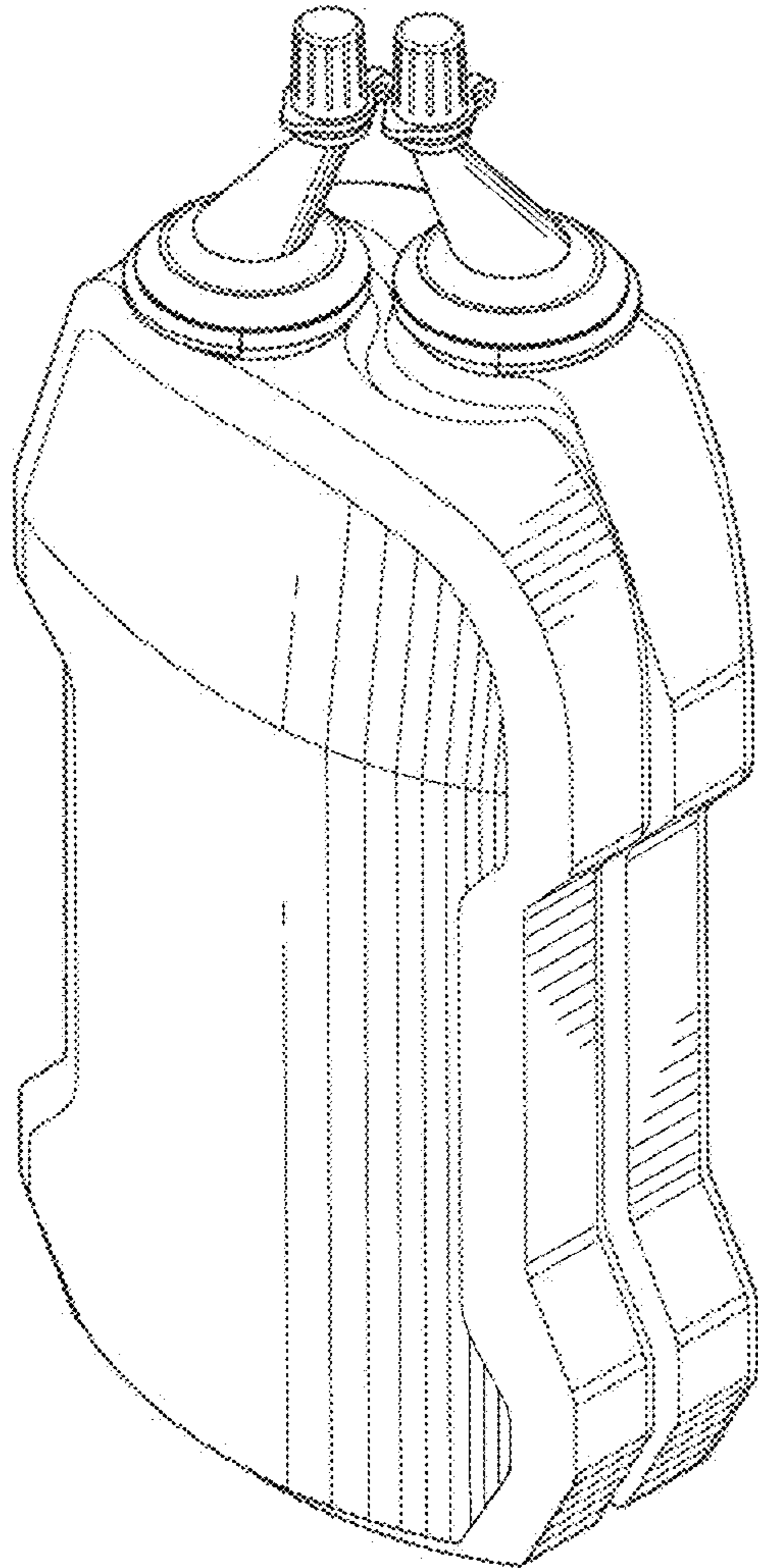


Fig. 1

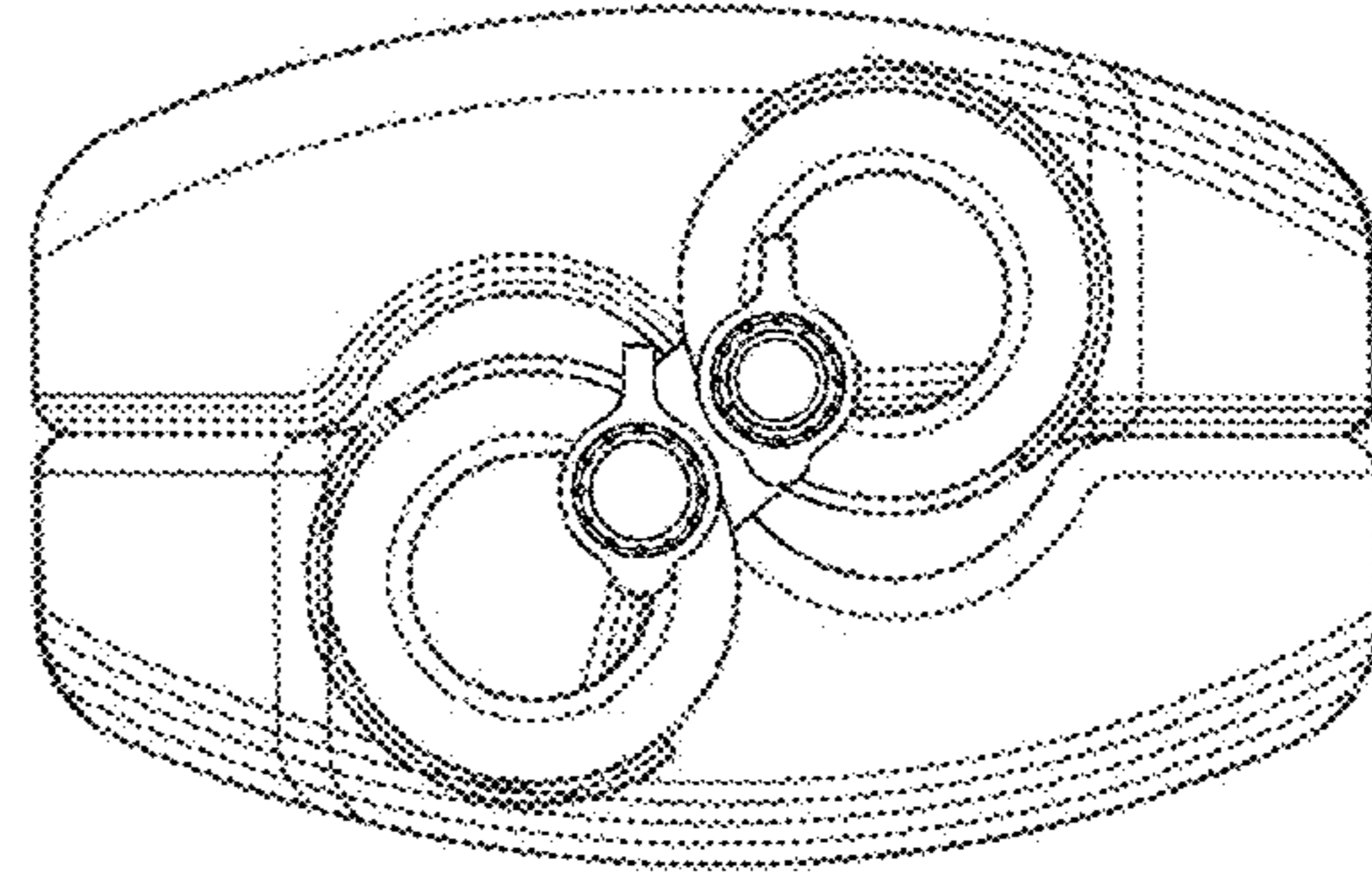


Fig. 3

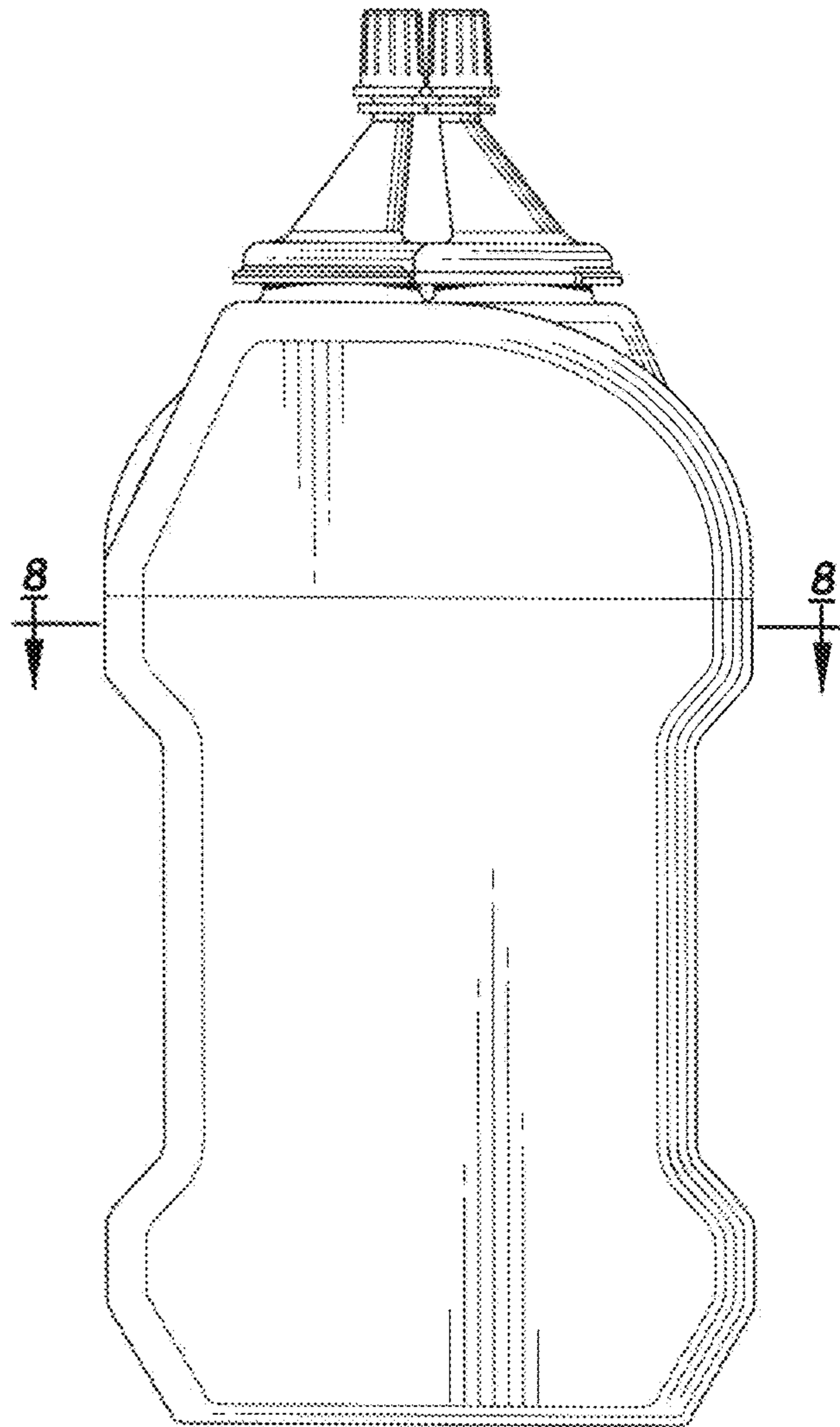


Fig. 2

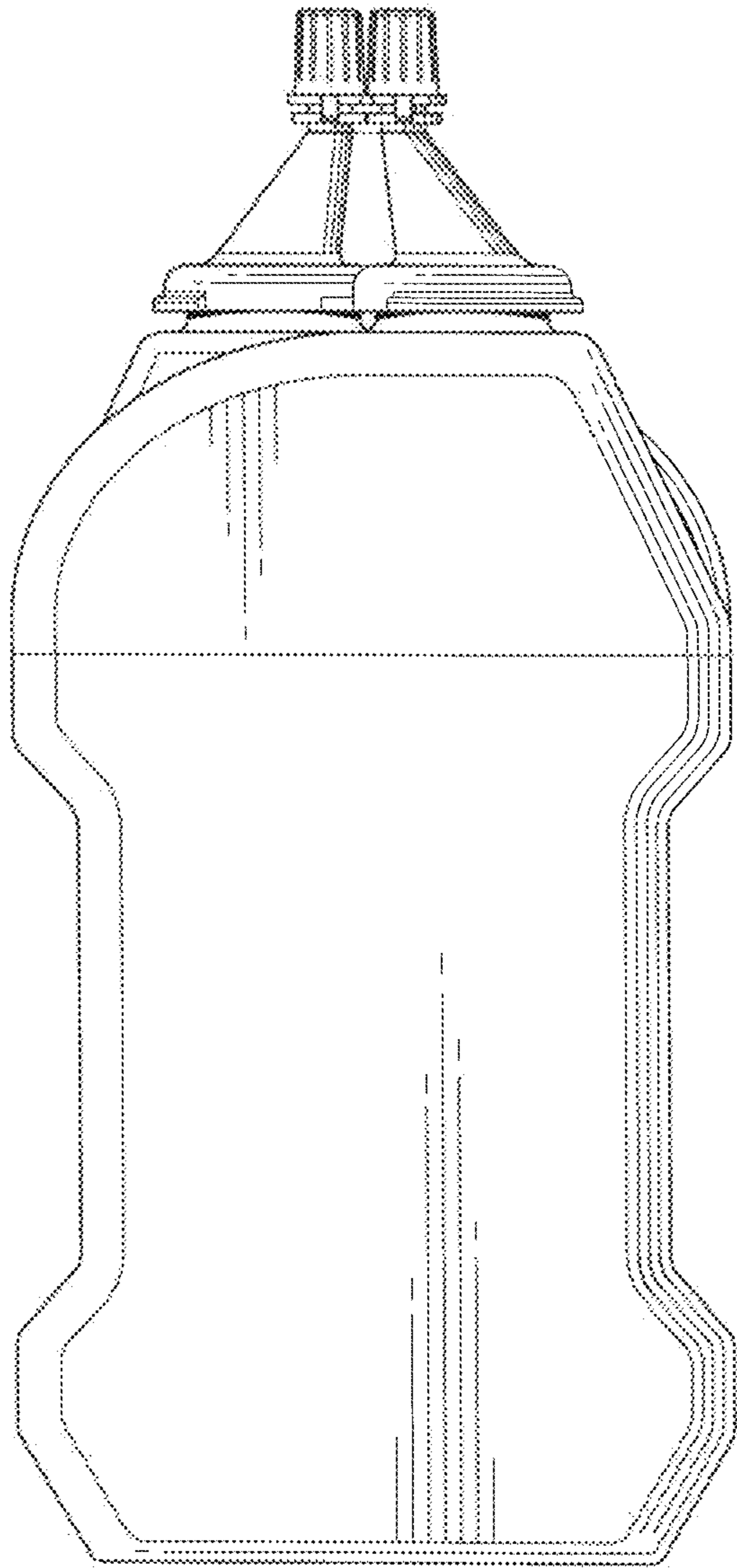


Fig. 4

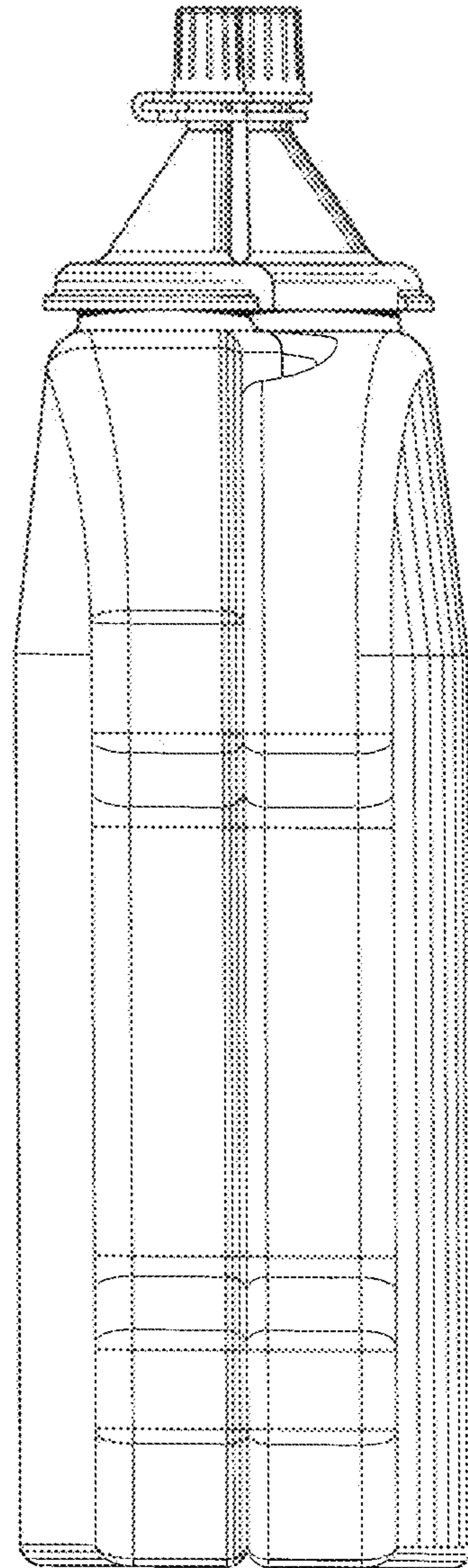


Fig. 5

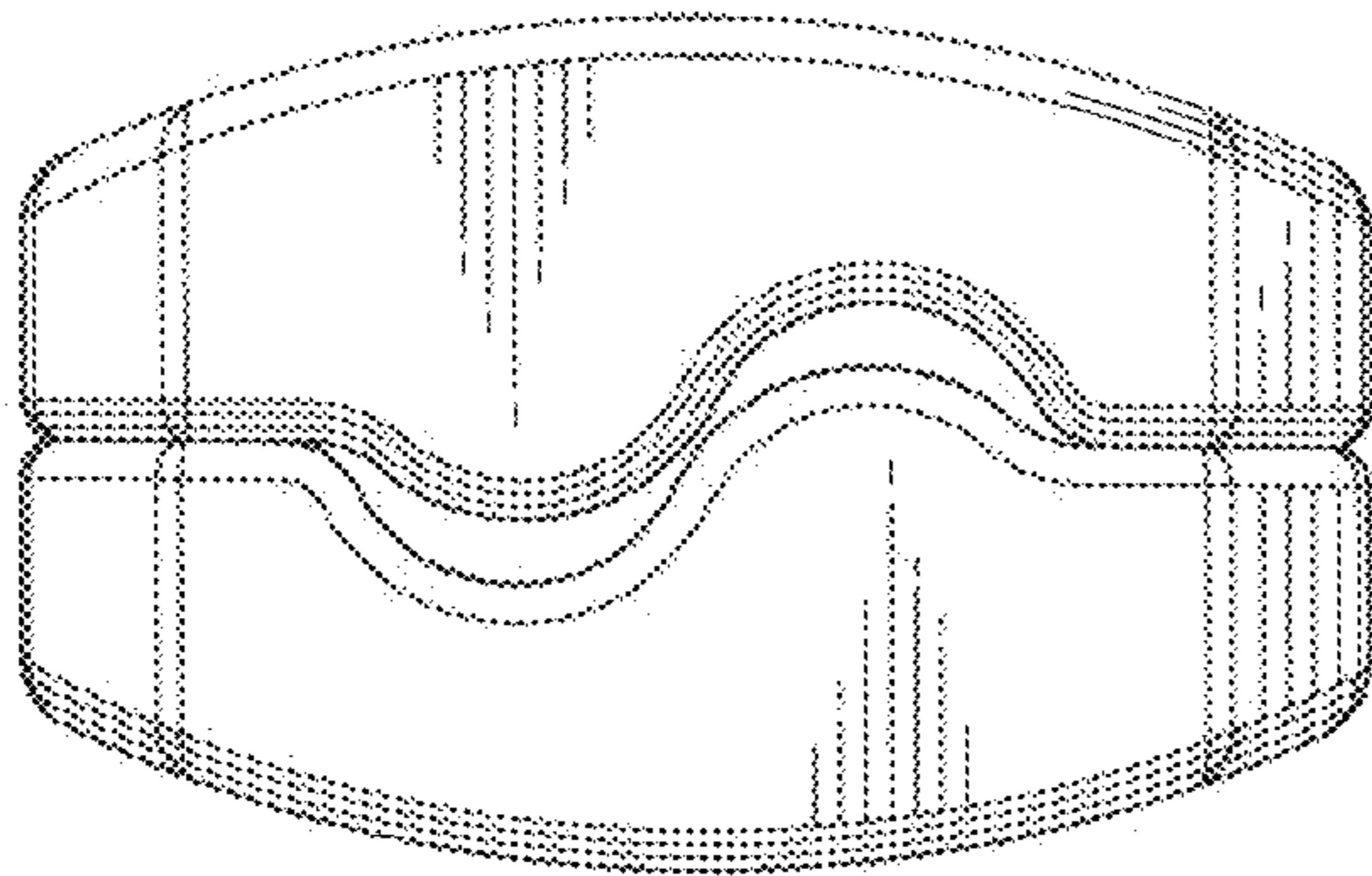


Fig. 6

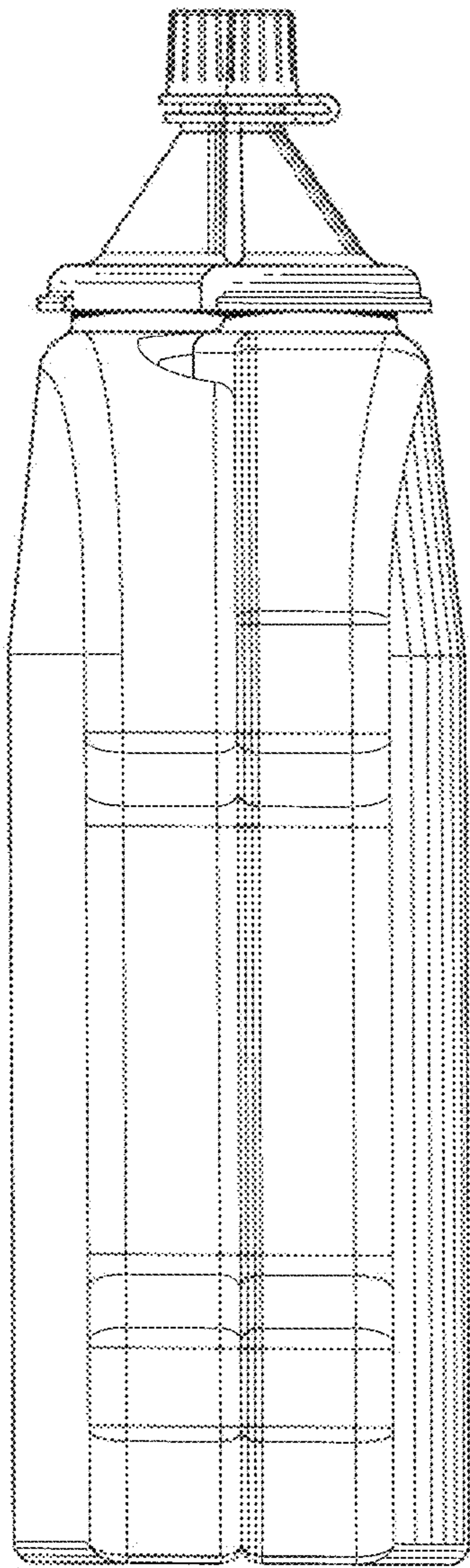


Fig. 7

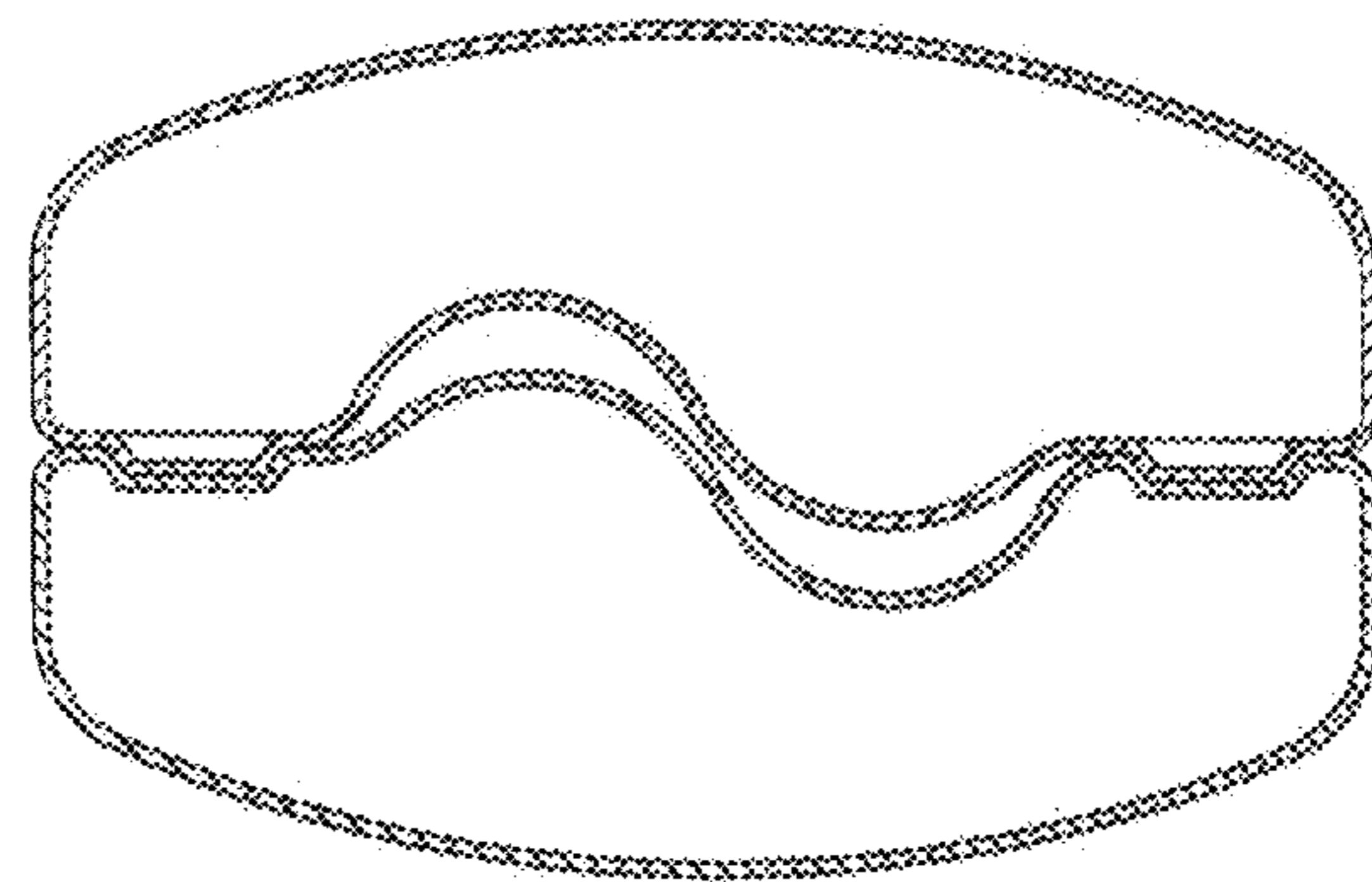


Fig. 8

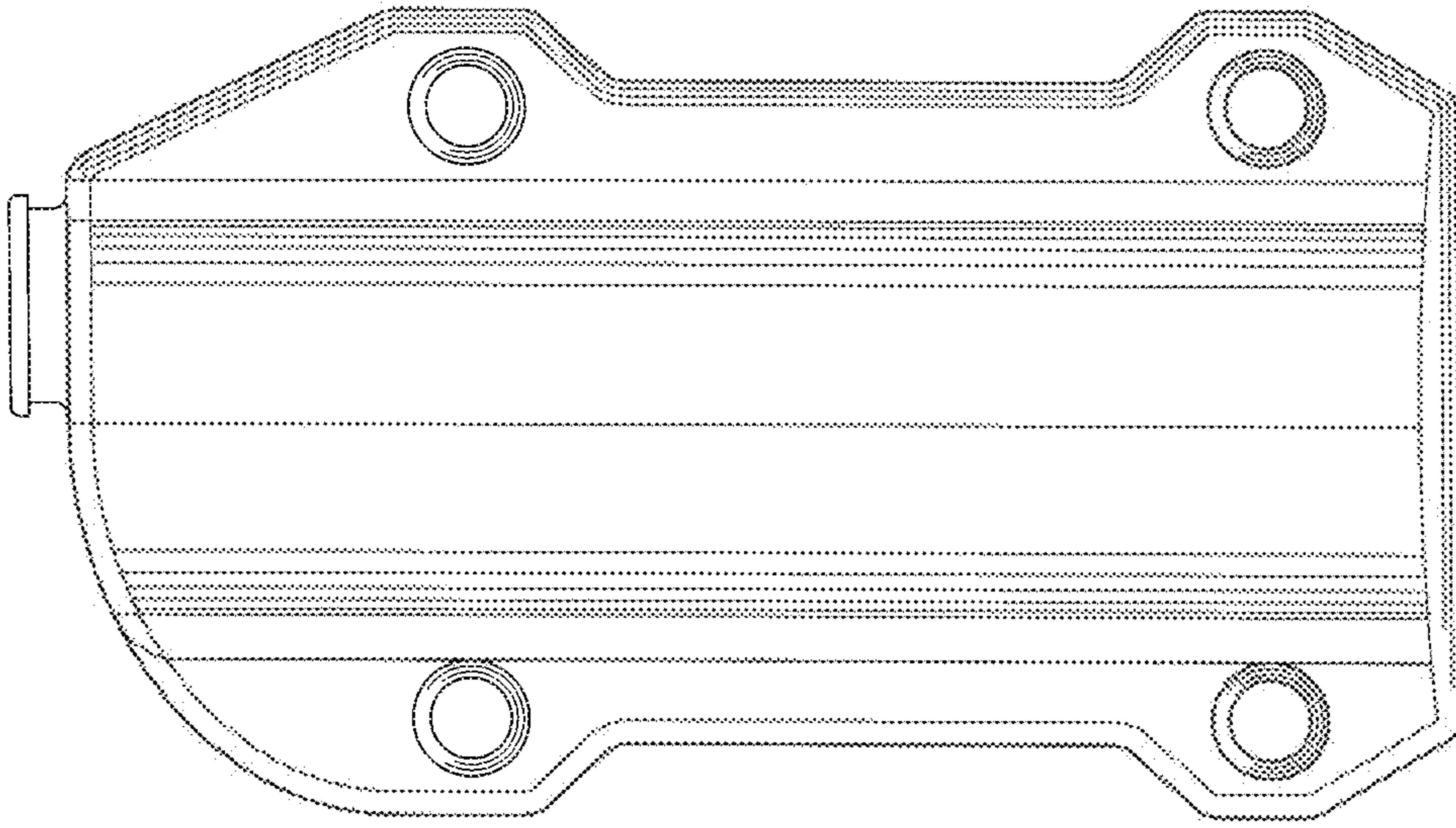


Fig. 10

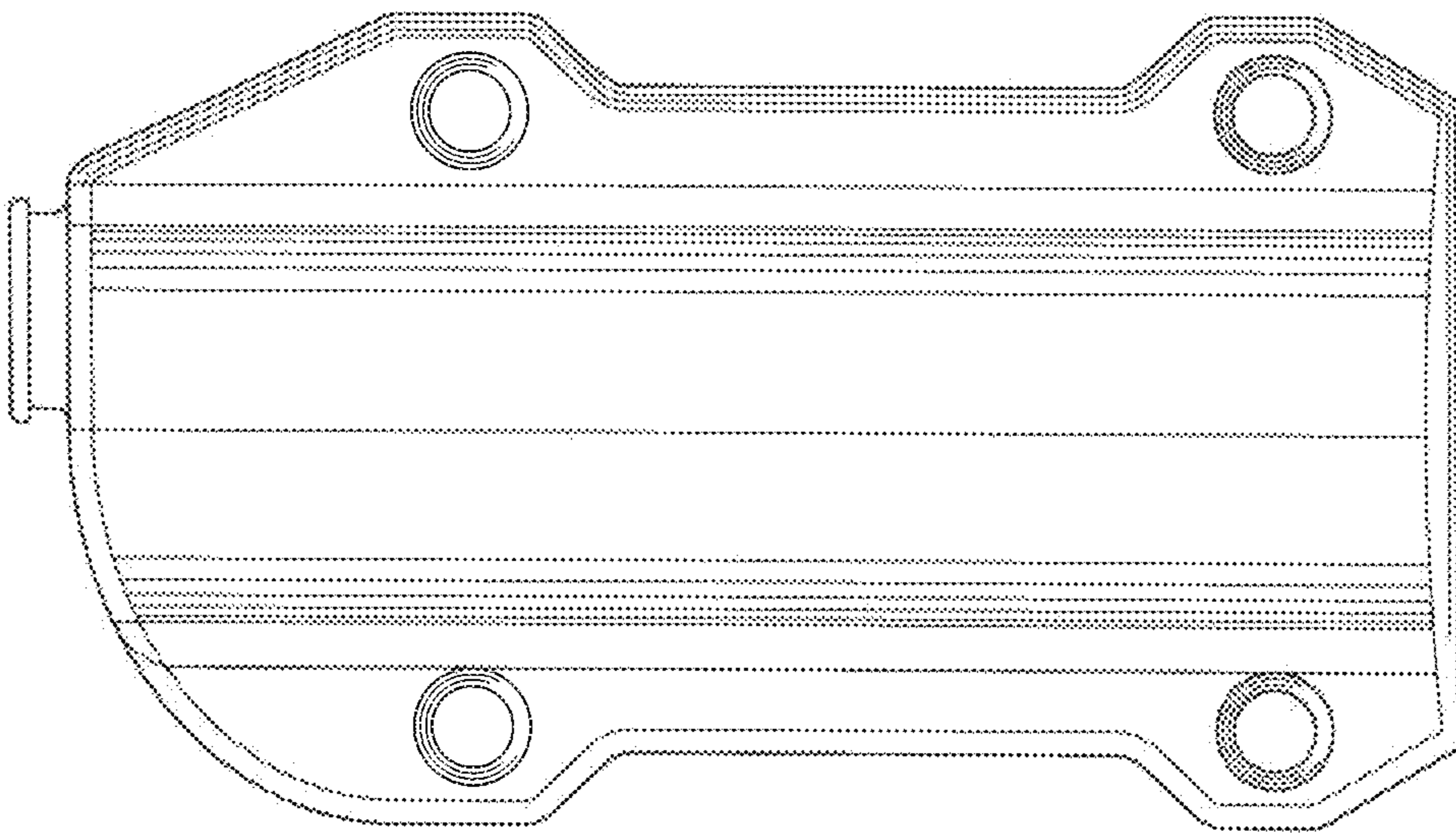


Fig. 9