



US00D982978S

(12) **United States Design Patent**
Chang et al.

(10) **Patent No.:** **US D982,978 S**
(45) **Date of Patent:** **** Apr. 11, 2023**

- (54) **FOLDABLE CONTAINER**
- (71) Applicants: **Yu-Mei Chang**, Taichung (TW);
Cheng-Hui Huang, Taichung (TW)
- (72) Inventors: **Yu-Mei Chang**, Taichung (TW);
Cheng-Hui Huang, Taichung (TW)
- (**) Term: **15 Years**
- (21) Appl. No.: **29/794,967**
- (22) Filed: **Jun. 16, 2021**
- (30) **Foreign Application Priority Data**
Dec. 21, 2020 (TW) 109307136
- (51) **LOC (14) Cl.** **07-01**
- (52) **U.S. Cl.**
USPC **D7/512**
- (58) **Field of Classification Search**
USPC D7/300, 302, 310, 312, 313, 317, 318,
D7/308, 398, 399, 400, 509, 510, 511,
D7/512, 532, 533, 538, 547, 602, 605,
D7/629
CPC A45F 3/16; A47G 19/12; A47G 19/14;
A47G 19/16; A47G 19/2205; A47G
19/2266; A47G 19/2272; A47G 21/185;
A47G 23/0216; A47G 23/0241; A47J
31/005; A47J 31/02; A47J 31/0605; A47J
31/14; A47J 31/20; A47J 31/043; A47J
31/44; A47J 31/46; A47J 31/047; A47J
31/053; A47J 43/27; A47J 41/005; A47J
41/0072; B65D 2581/3409
See application file for complete search history.

D364,088 S *	11/1995	Robbins, III	D9/428
D365,247 S *	12/1995	Sokolski	D7/510
D436,295 S *	1/2001	Furman	D7/509
D446,687 S *	8/2001	Furman	D7/532
D513,939 S *	1/2006	Leonzo	D9/503
D565,901 S *	4/2008	Edelstein	D7/510
D675,063 S *	1/2013	Wahl	D7/510
D710,650 S *	8/2014	Blum	D7/512
D756,705 S *	5/2016	Abrams	D7/512
D792,155 S *	7/2017	Stover	D7/532
D797,510 S *	9/2017	Ke	D7/532
D808,722 S *	1/2018	Hill	D7/510
D814,240 S *	4/2018	Kabalin	D7/532
D874,285 S *	2/2020	Yourist	D7/509
D899,190 S *	10/2020	Jacobsen	D7/511
D899,191 S *	10/2020	Jacobsen	D7/511
D899,857 S *	10/2020	Jacobsen	D7/511
11,026,527 B2 *	6/2021	Tsui	B65D 21/086
D931,052 S *	9/2021	Shen	D7/512

(Continued)

Primary Examiner — Joseph Kukella
Assistant Examiner — Darryl J Dardenne

(57) **CLAIM**

The ornamental design for a foldable container, as shown and described.

DESCRIPTION

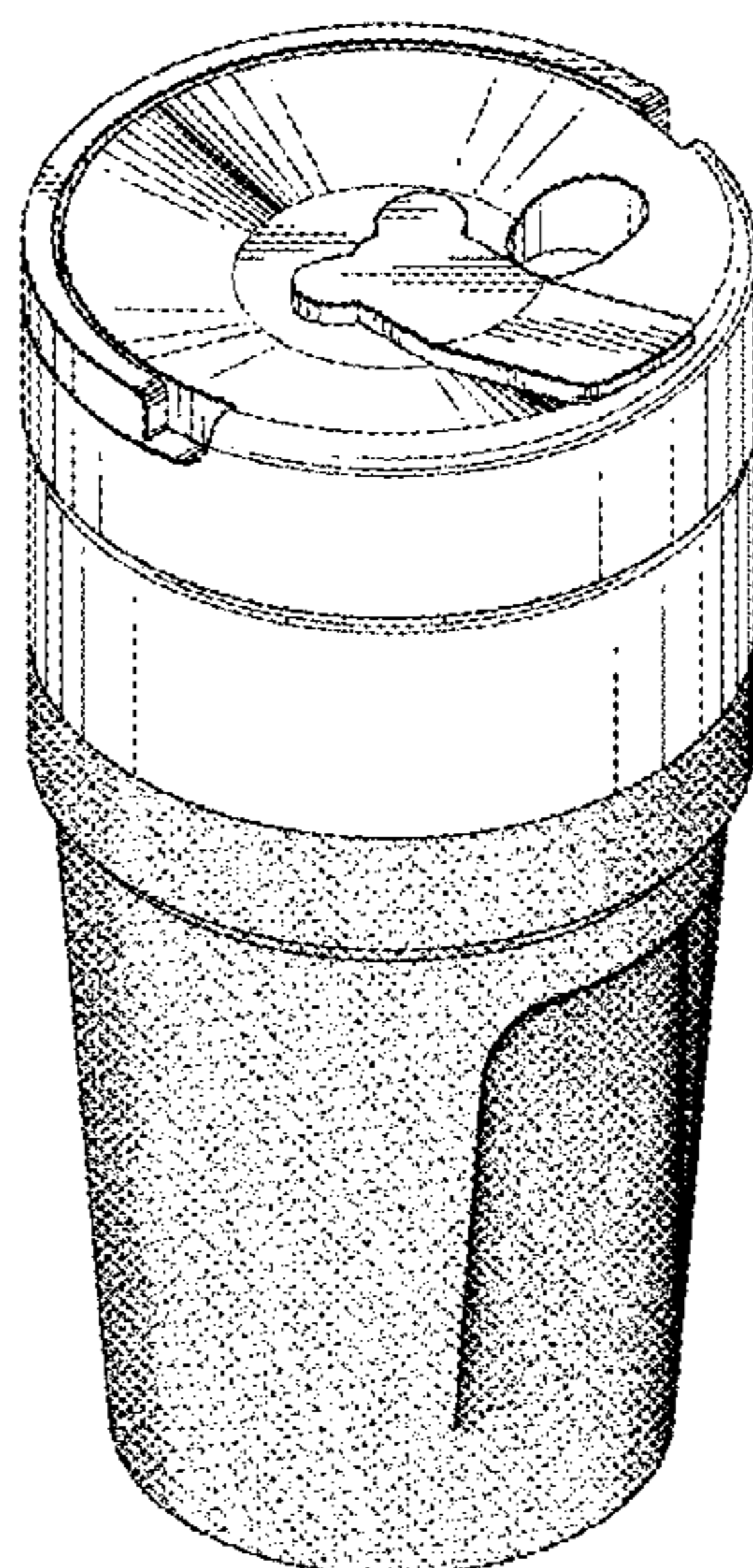
FIG. 1 is a front, left, top perspective view of a foldable container showing our new design;
FIG. 2 is a front elevational view thereof;
FIG. 3 is a rear elevational view thereof;
FIG. 4 is a left side elevational view thereof;
FIG. 5 is a right side elevational view thereof;
FIG. 6 is a top plan view thereof;
FIG. 7 is a bottom plan view thereof; and,
FIG. 8 is a perspective view of the design in a folded state, in which a lower portion of the foldable container is retracted into an upper portion of the foldable container.

1 Claim, 8 Drawing Sheets

(56) **References Cited**

U.S. PATENT DOCUMENTS

1,093,873 A *	4/1914	Mitchell	B65D 21/086 220/8
D347,359 S *	5/1994	Robbins, III	B65D 47/286 D7/512



(56)

References Cited

U.S. PATENT DOCUMENTS

11,172,754 B2 * 11/2021 Hollis B65D 21/086
D941,091 S * 1/2022 Delgado Carmona D7/510
D960,657 S * 8/2022 Wang D7/608
D968,895 S * 11/2022 Jacob D7/510
2012/0205371 A1 * 8/2012 Lee B65D 47/286
220/8
2017/0225855 A1 * 8/2017 Lawson B65D 47/32
2017/0273484 A1 * 9/2017 Spivey A47G 19/2272
2018/0289186 A1 * 10/2018 Heiberger B65D 47/10
2021/0315397 A1 * 10/2021 Barton A47G 19/2261

* cited by examiner

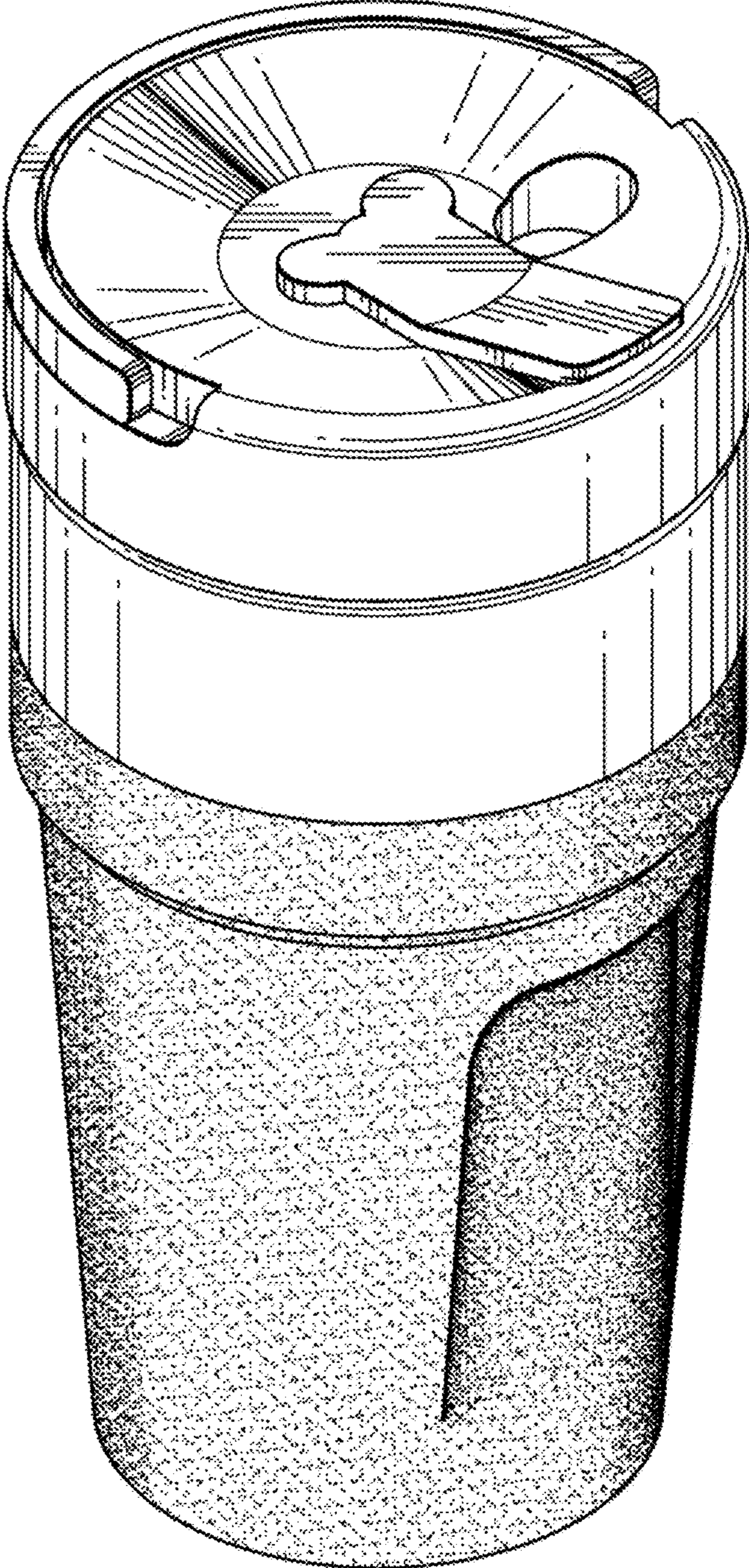


FIG. 1

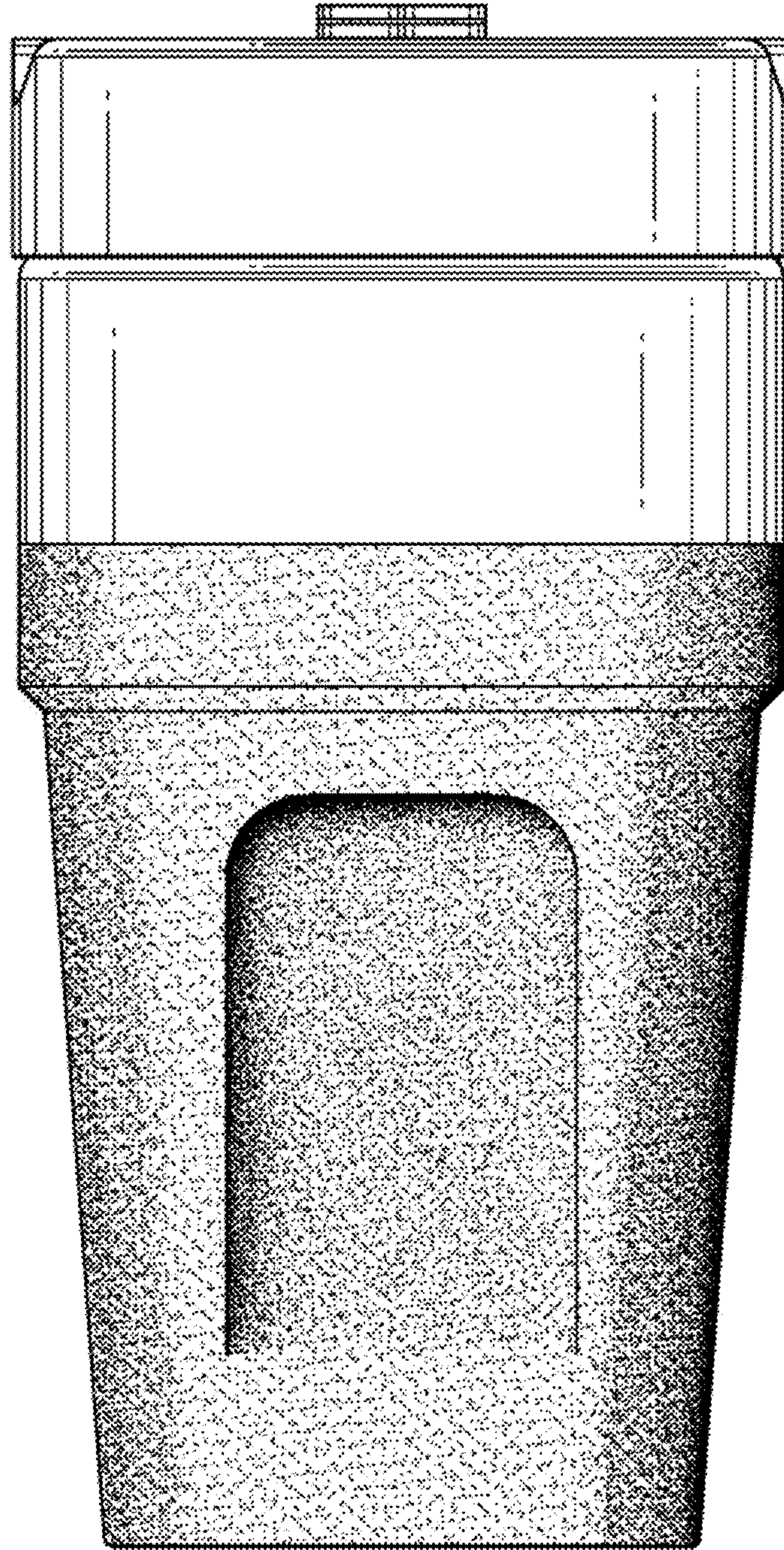


FIG. 2

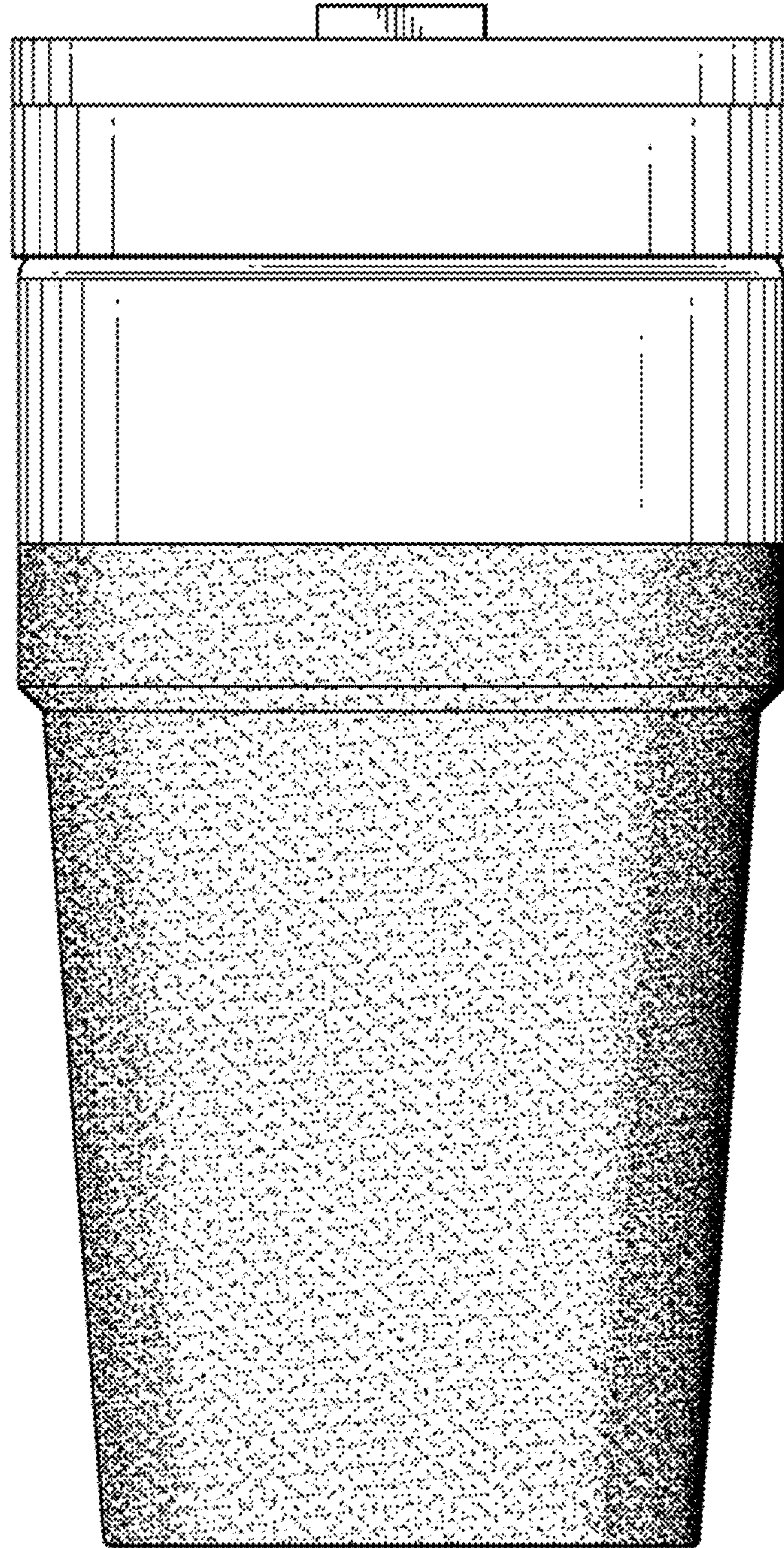


FIG. 3

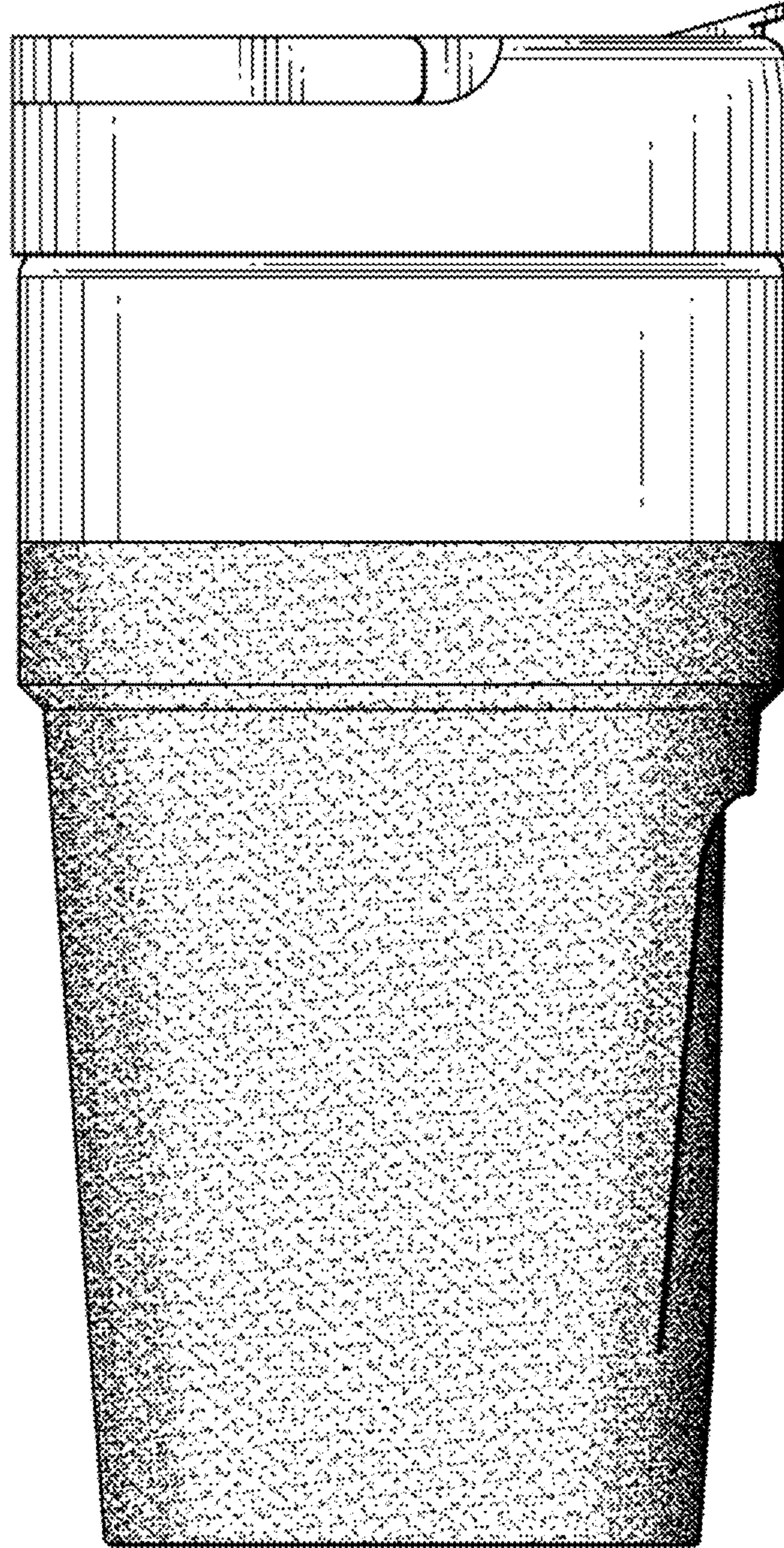


FIG.4

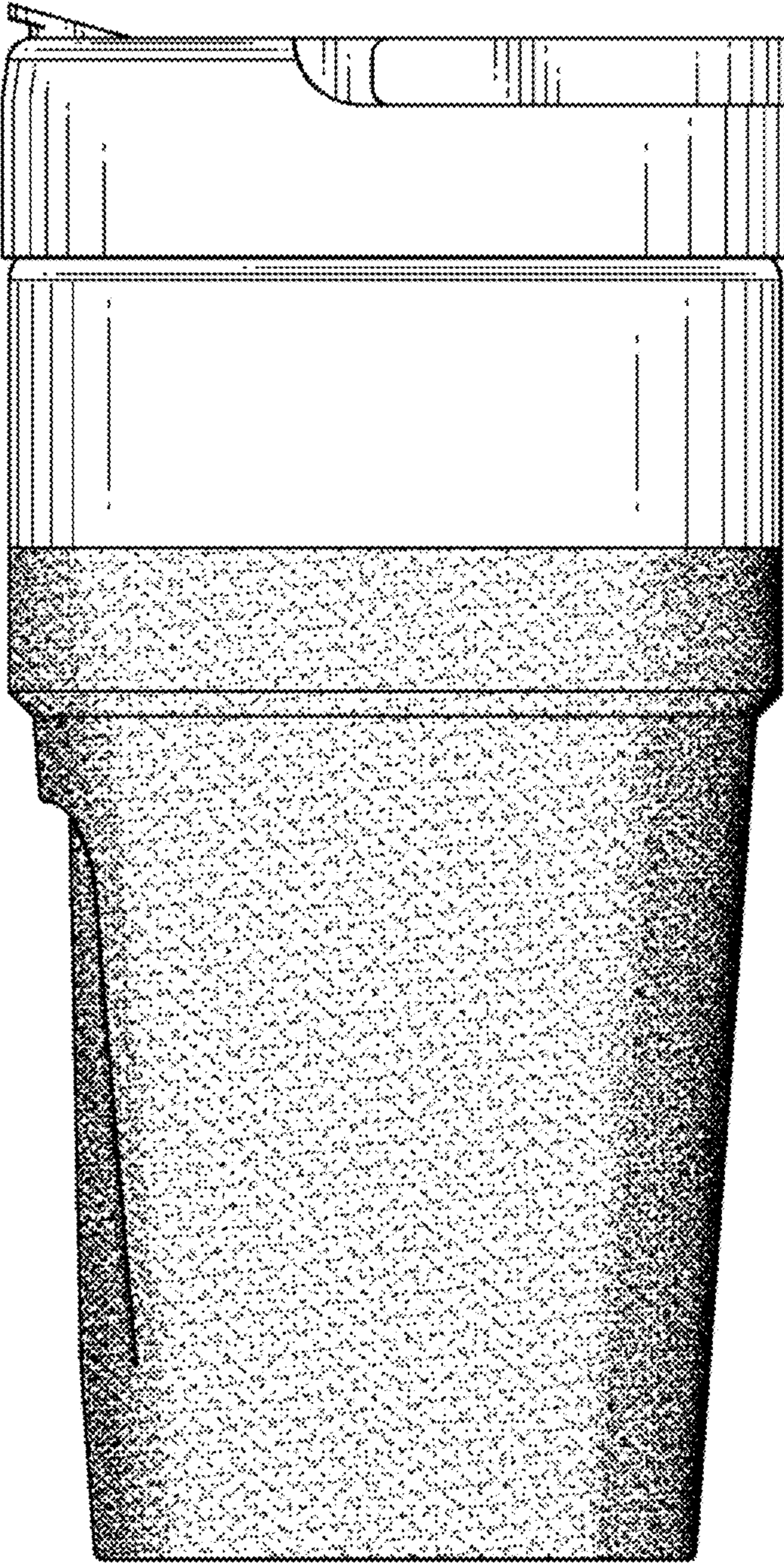


FIG.5

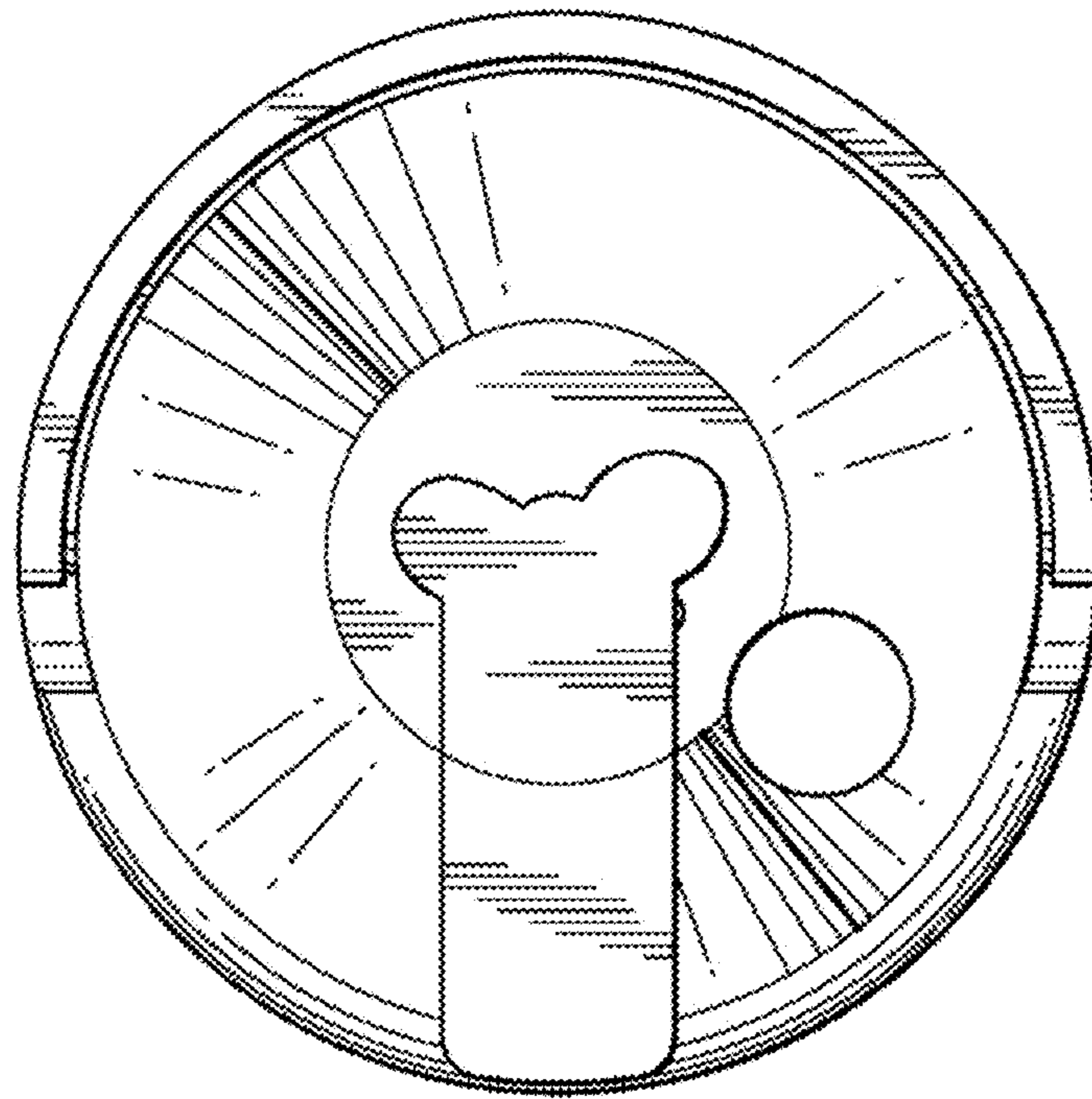


FIG.6

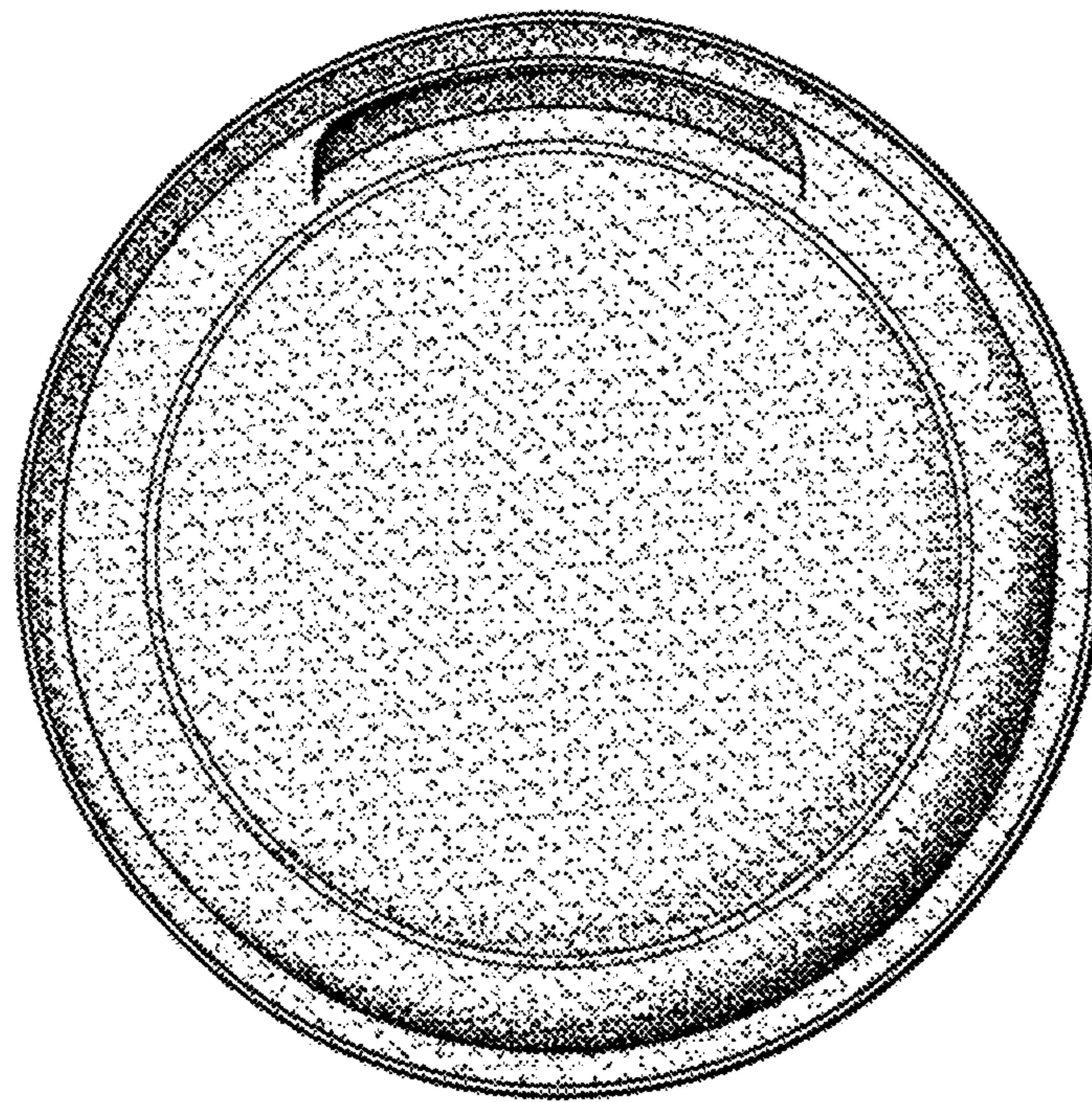


FIG. 7

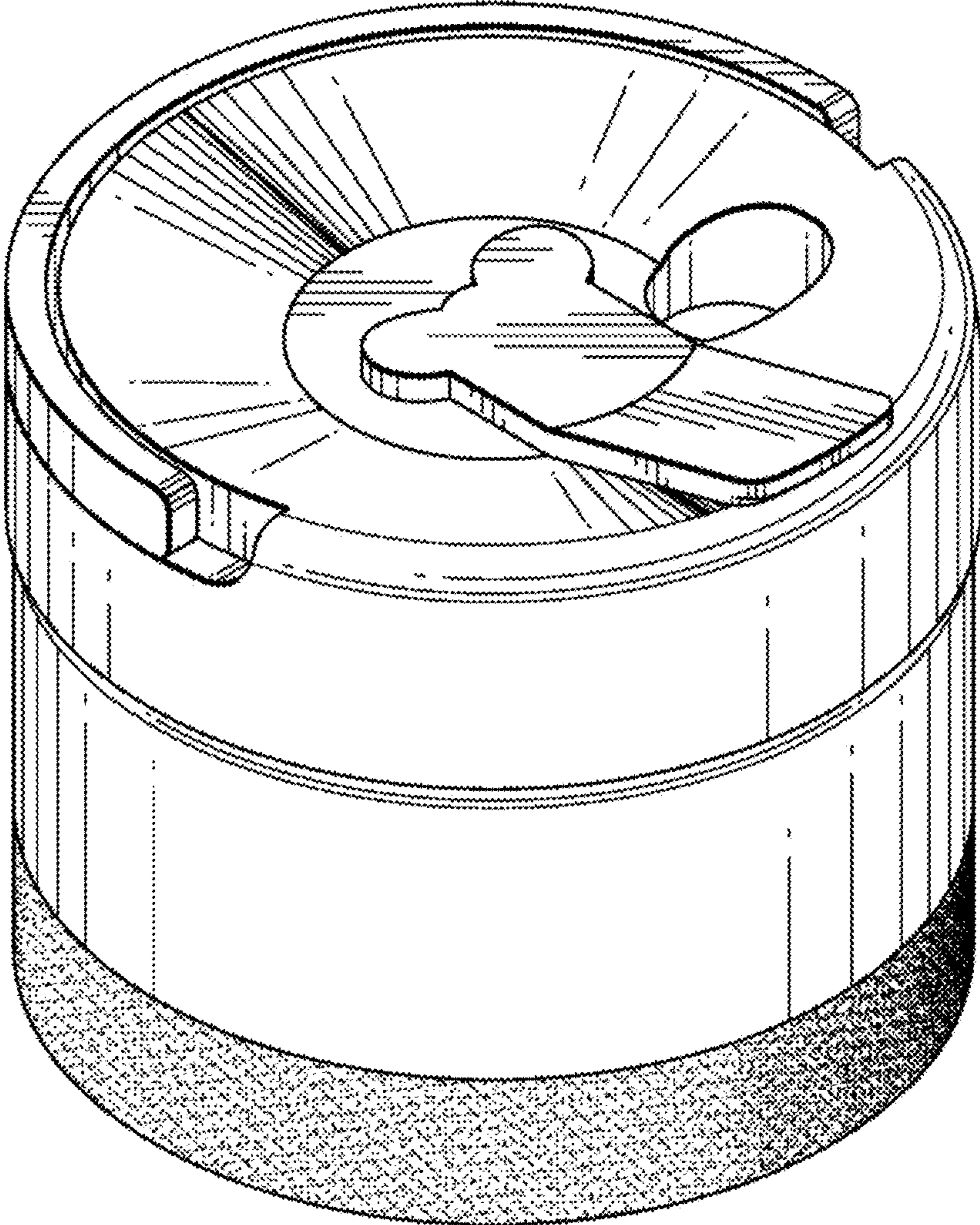


FIG.8