



US00D982977S

(12) **United States Design Patent** (10) **Patent No.:** **US D982,977 S**
Pisarevsky (45) **Date of Patent:** **** Apr. 11, 2023**

(54) **INSULATING BEVERAGE CONTAINER WITH CUP**

(71) Applicant: **Arie Pisarevsky**, Montreal (CA)

(72) Inventor: **Arie Pisarevsky**, Montreal (CA)

(**) Term: **15 Years**

(21) Appl. No.: **29/787,361**

(22) Filed: **Jun. 6, 2021**

(51) **LOC (14) Cl.** **07-01**

(52) **U.S. Cl.**
USPC **D7/511**; D7/392.1

(58) **Field of Classification Search**
USPC D7/507, 509, 510, 511, 531, 532, 523,
D7/533, 534, 535, 536, 392, 392.1, 396.1,
D7/396.2, 300.1, 608, 900; D3/202;
D9/716, 719
CPC A47G 19/22; A47G 19/2288; A47G
19/2205; A47J 41/0077; A47J 41/0088
See application file for complete search history.

(56) **References Cited**

U.S. PATENT DOCUMENTS

- D185,465 S * 6/1959 Schlumbohm D7/608
- 5,400,907 A * 3/1995 Chen A47G 19/2227
220/756
- 5,531,353 A * 7/1996 Ward A47J 41/0083
220/729
- 6,094,935 A * 8/2000 Stein A47G 19/2288
62/530
- 6,852,954 B1 * 2/2005 Liu A47J 36/2472
219/387
- D638,709 S * 5/2011 Yourist D9/500
- D701,727 S * 4/2014 Gilbert D7/300.1
- D723,871 S * 3/2015 Khubani D7/505
- D729,569 S * 5/2015 Herbst D7/510
- D731,238 S * 6/2015 Kalaouze, Jr. D7/392.1
- D762,080 S * 7/2016 Liebowitz D9/503

D769,046 S * 10/2016 Beckman A47J 45/067
D7/300.1

D794,390 S * 8/2017 Boettcher Sebben D7/532

D819,402 S * 6/2018 Silsby D7/510

(Continued)

FOREIGN PATENT DOCUMENTS

CN 305667116 * 3/2020
JP D1669310 * 10/2020

OTHER PUBLICATIONS

Corkcicle [online] URL: <https://corkcicle.com/products/coffee-mug>
(site visited: Nov. 15, 2022) (Year: 2021).*

(Continued)

Primary Examiner — Jae Liang
Assistant Examiner — Tia Ruth-Renee Polidori

(57) **CLAIM**

The ornamental design for an insulating beverage container with cup, as shown and described.

DESCRIPTION

FIG. 1 is a right-side view of my new design for an insulating beverage container with cup, shown with the spout in a closed configuration.

FIG. 2 is a front view thereof;

FIG. 3 is a perspective view thereof;

FIG. 4 is another perspective view thereof, with the spout shown in an open configuration for clarity of disclosure;

FIG. 5 is an exploded view of FIG. 1;

FIG. 6 is a bottom perspective exploded view thereof;

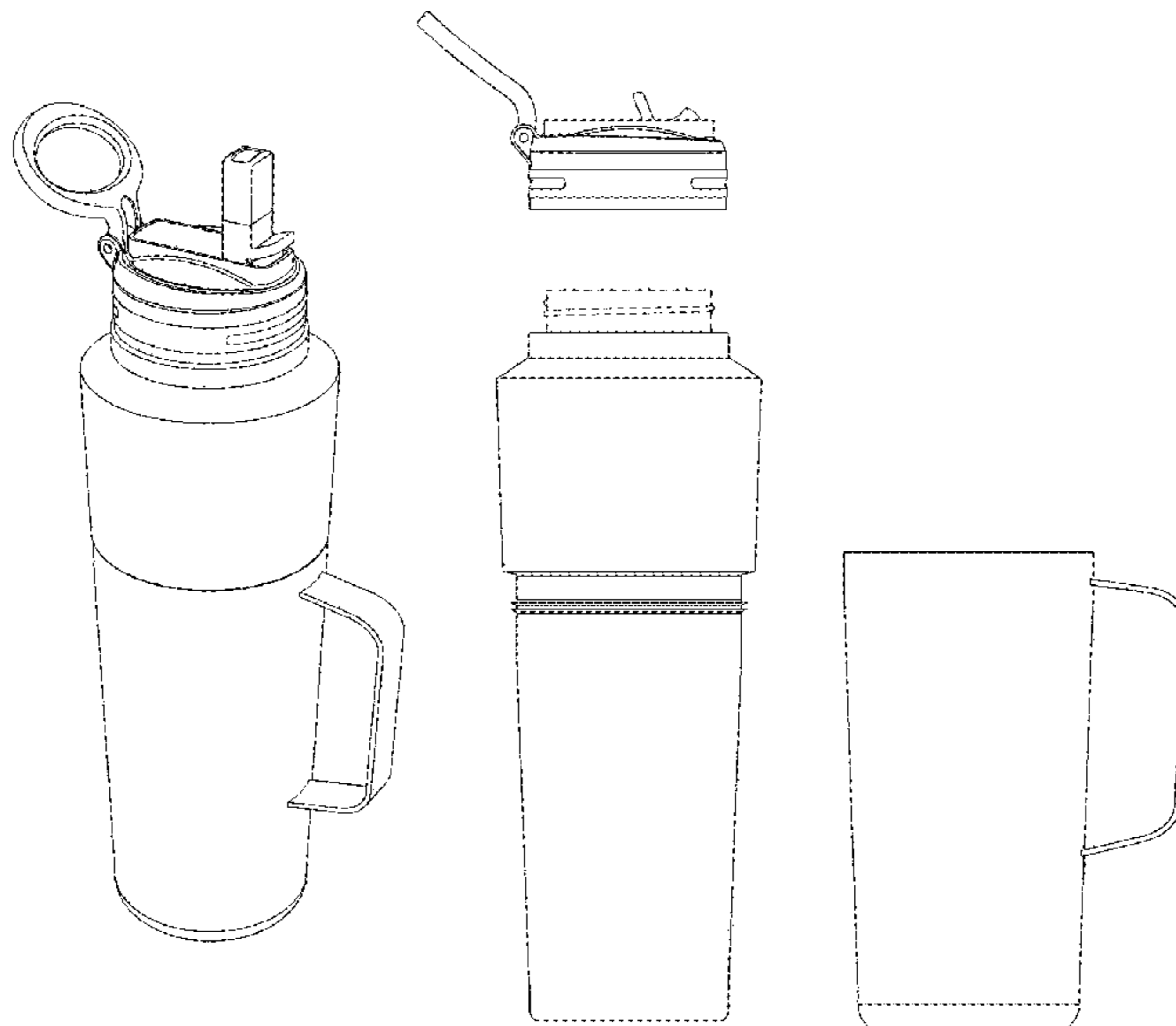
FIG. 7 is top view of FIG. 1;

FIG. 8 is a bottom view thereof; and,

FIG. 9 is top perspective view of my new design for an insulating beverage container with cup, shown with the insulating container removed for clarity of disclosure.

All broken lines in the drawings are for illustrative purposes only and form no part of the claimed design.

1 Claim, 7 Drawing Sheets



(56)

References Cited

U.S. PATENT DOCUMENTS

D827,381 S * 9/2018 Boroski D7/532
 D871,144 S * 12/2019 Zhang D7/510
 D880,941 S * 4/2020 Silsby D7/532
 D883,033 S * 5/2020 Bo D9/500
 D889,206 S * 7/2020 Bo D7/532
 D896,573 S * 9/2020 Wu D7/392.1
 D911,779 S * 3/2021 Hunter D7/533
 10,945,517 B1 * 3/2021 Gilbar B65D 23/12
 D929,802 S * 9/2021 Han D7/392.1
 D934,623 S * 11/2021 Wang D7/392.1
 D939,889 S * 1/2022 Ni D7/394
 D947,598 S * 4/2022 Wang D7/392.1
 D948,928 S * 4/2022 Chen D7/392.1
 D954,493 S * 6/2022 Harris D7/392.1
 D968,897 S * 11/2022 Zhang D7/532
 2002/0074334 A1 * 6/2002 Karp A47G 19/2205
 220/23.86
 2002/0175158 A1 * 11/2002 Sanoner A47G 19/2288
 219/442

2017/0273484 A1 * 9/2017 Spivey A47G 19/2272
 2018/0312322 A1 * 11/2018 Canales Kell B65D 23/001
 2020/0163488 A1 * 5/2020 Fontana A47J 36/2472
 2022/0151410 A1 * 5/2022 Trammell B65D 47/265

OTHER PUBLICATIONS

Uchiers [online] URL: <https://www.amazon.com/Uchiers-Insulated-T-shape-Stainless-Tumblers/dp/B09LY6C1QQ?th=1> (site visited: Nov. 15, 2022) (Year: 2021).*
 RTIC [online] URL: <https://rticoutdoors.com/Travel-Mug?size=16oz&color=Beach&material=Matte> (site visited: Nov. 15, 2022) (Year: 2022).*
 Womens Health [online] URL: <https://www.womenshealthmag.com/life/g38125297/best-travel-coffee-mugs/> (site visited: Nov. 15, 2022) (Year: 2022).*
 CamelBak [online] URL: <https://www.amazon.com/CamelBak-MultiBev-Water-Bottle-Travel/dp/B09KTP2VK5?th=1> (site visited: Jan. 25, 2023) (Year: 2021).*

* cited by examiner

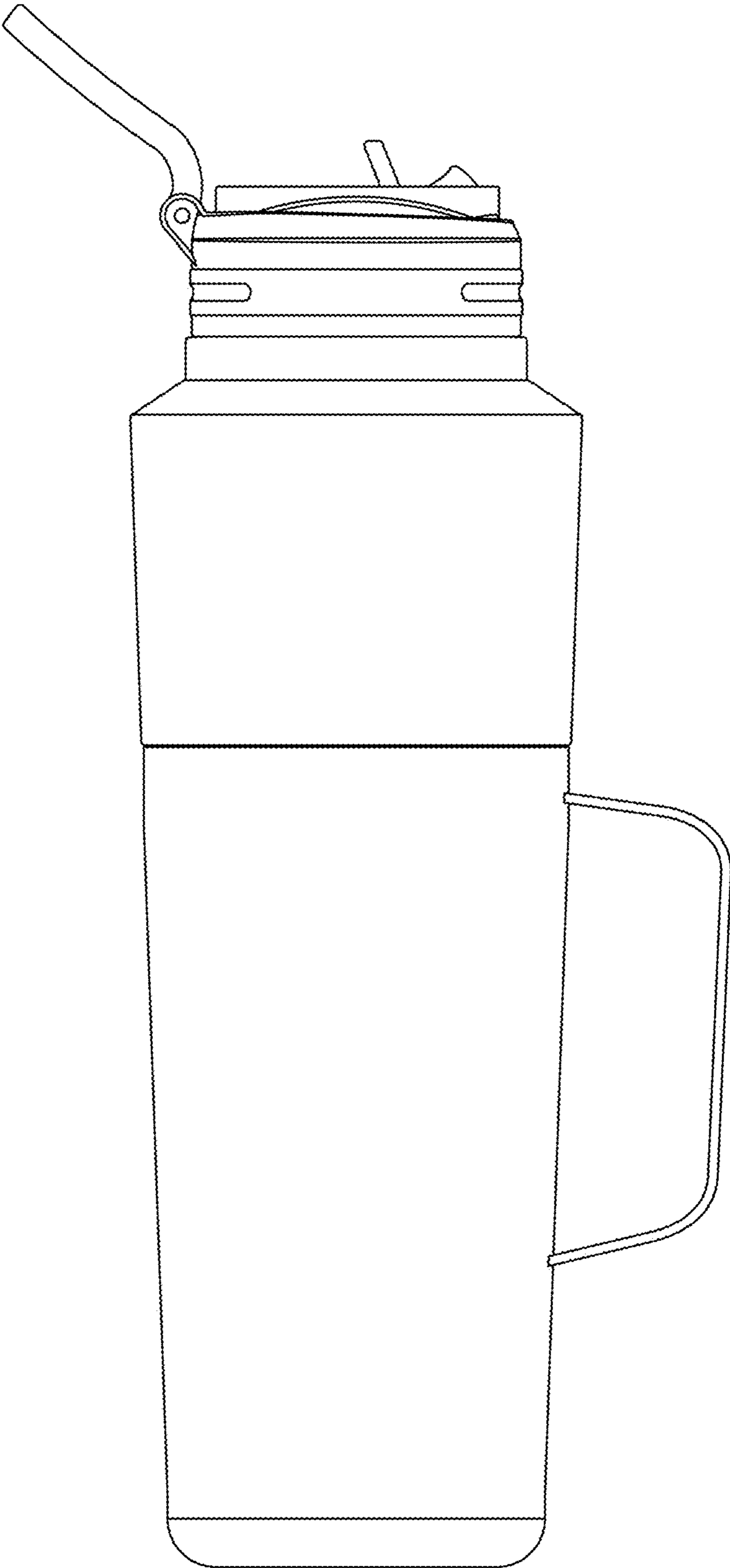


Fig.1

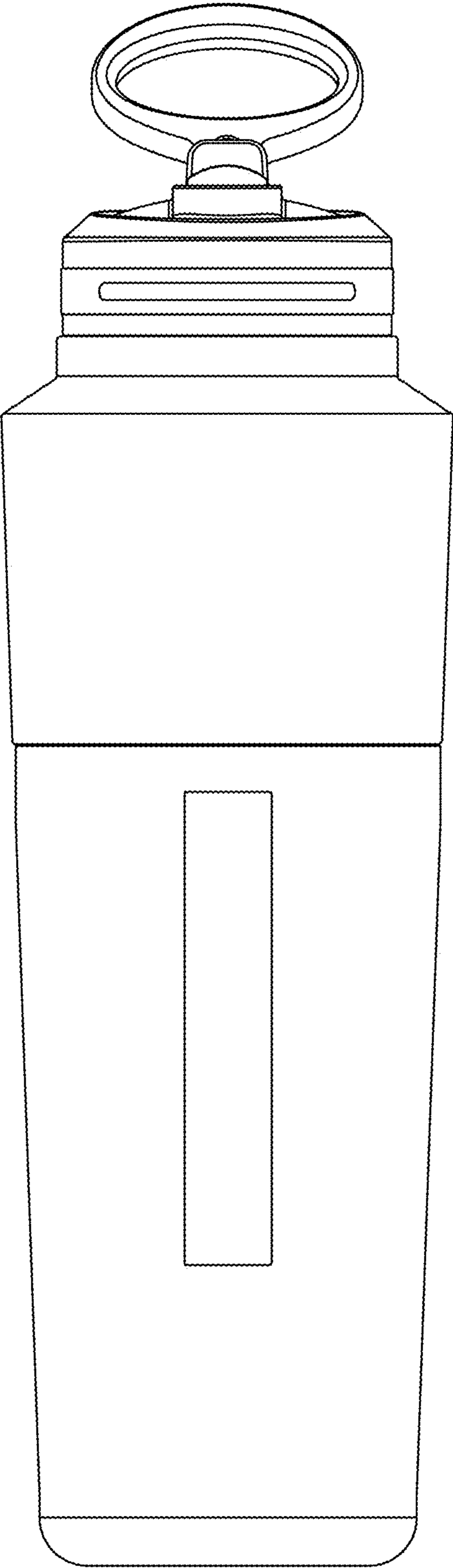


Fig. 2

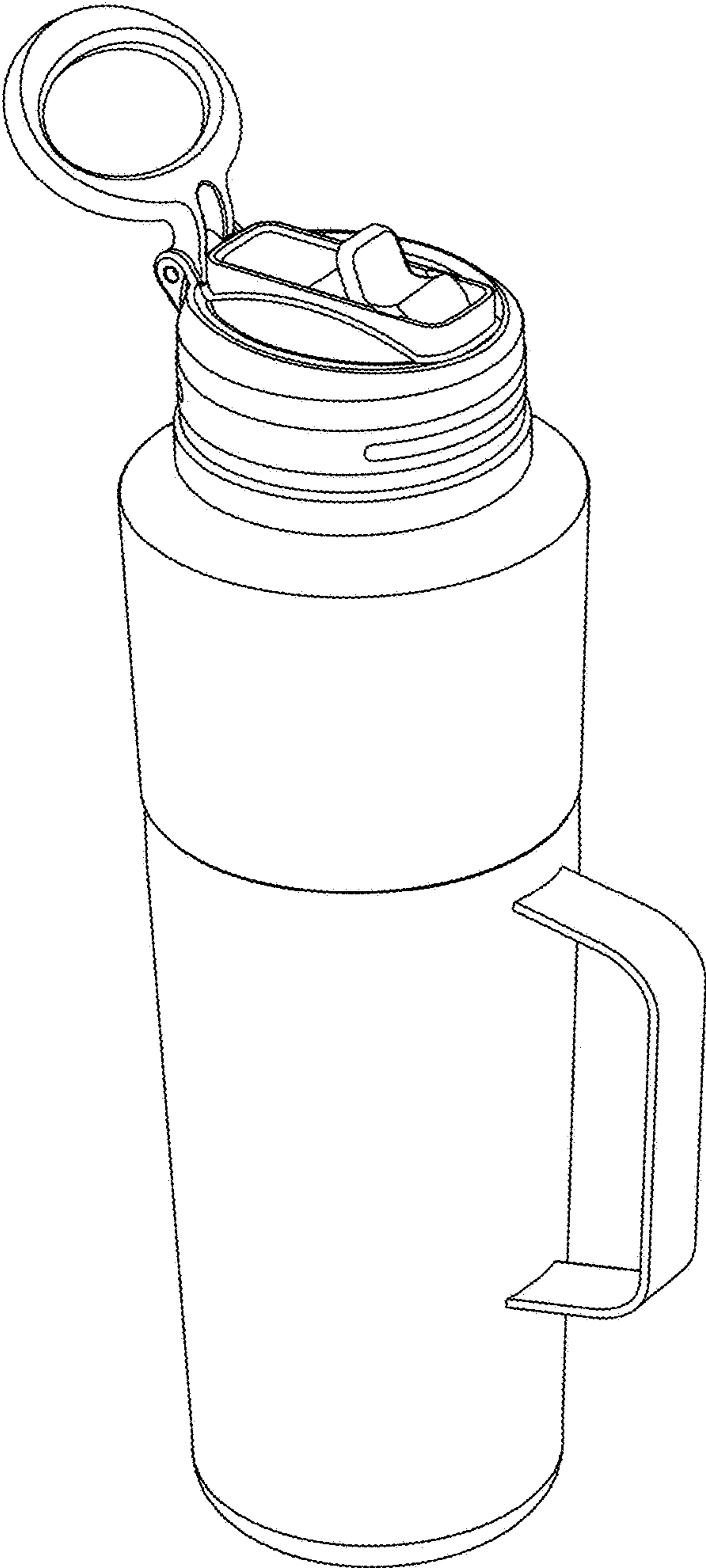


Fig. 3

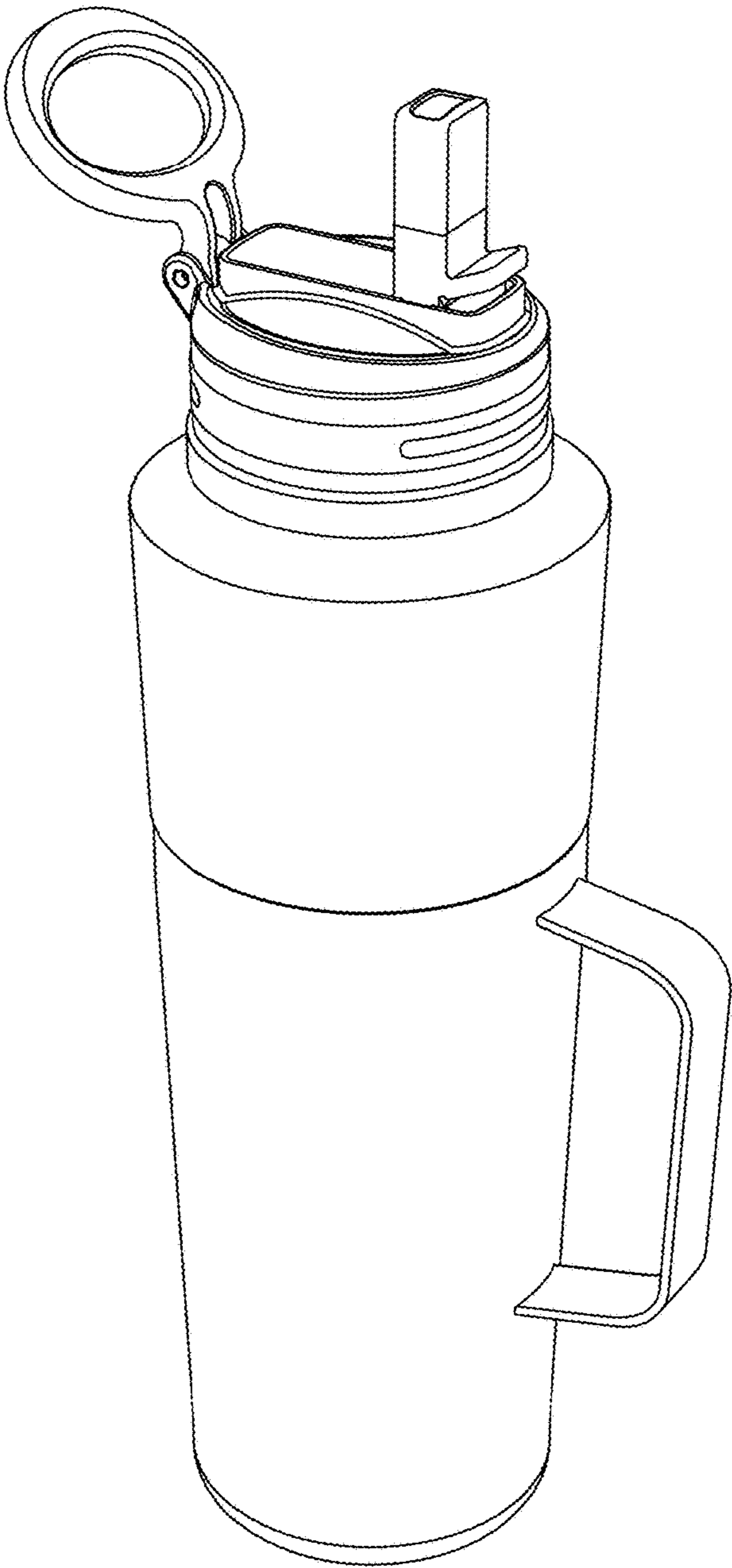


Fig. 4

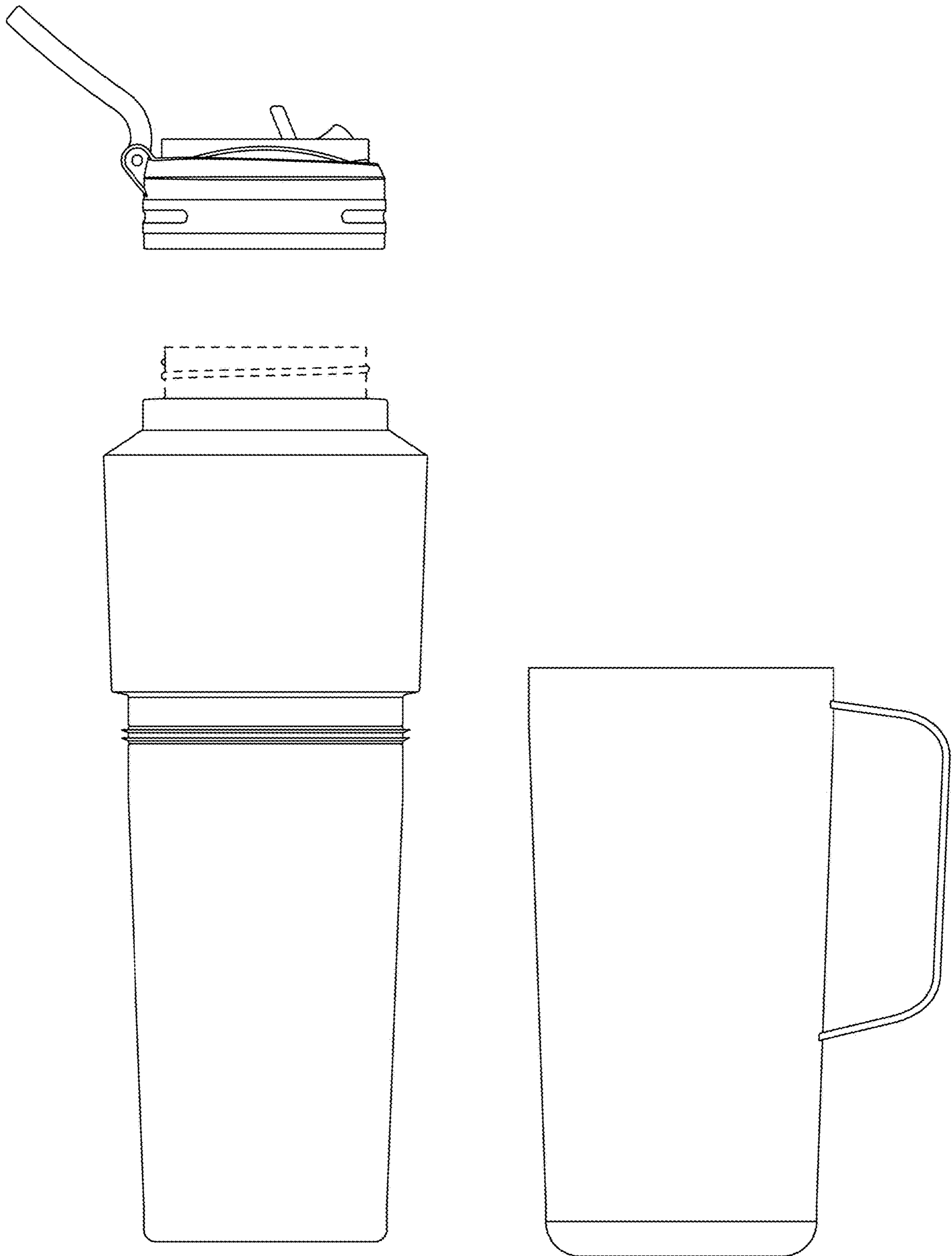


Fig. 5

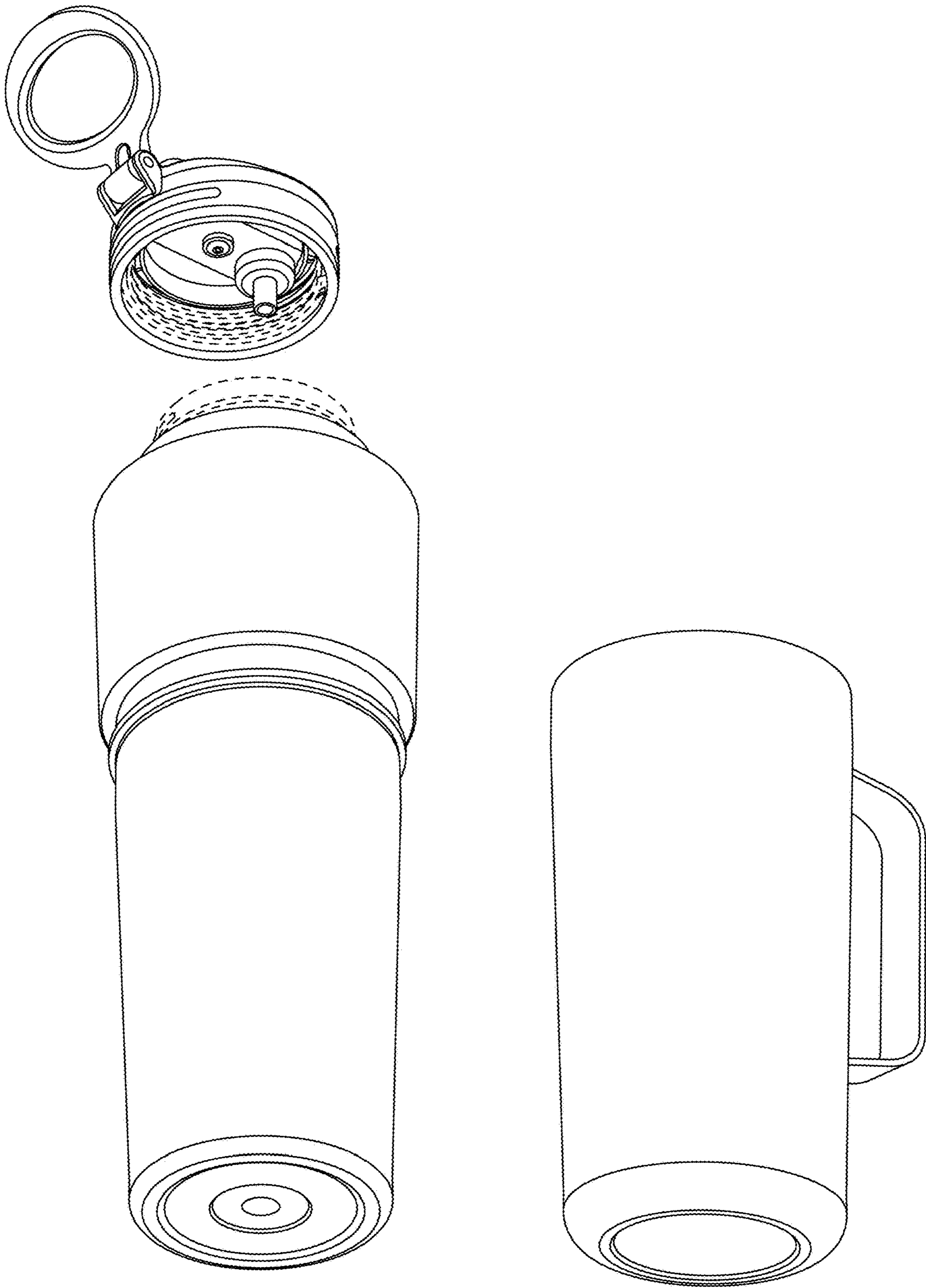


Fig. 6

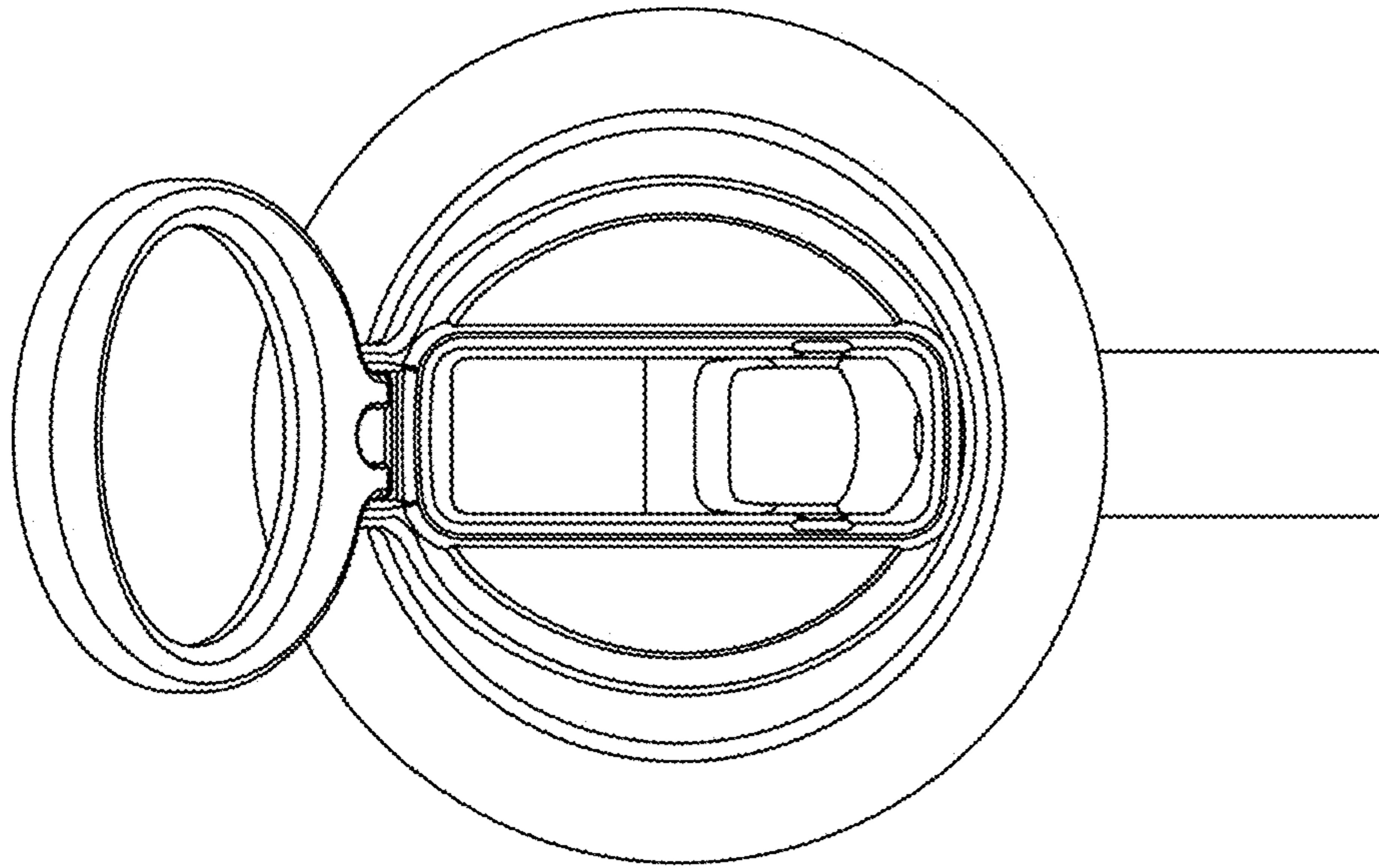


Fig. 7

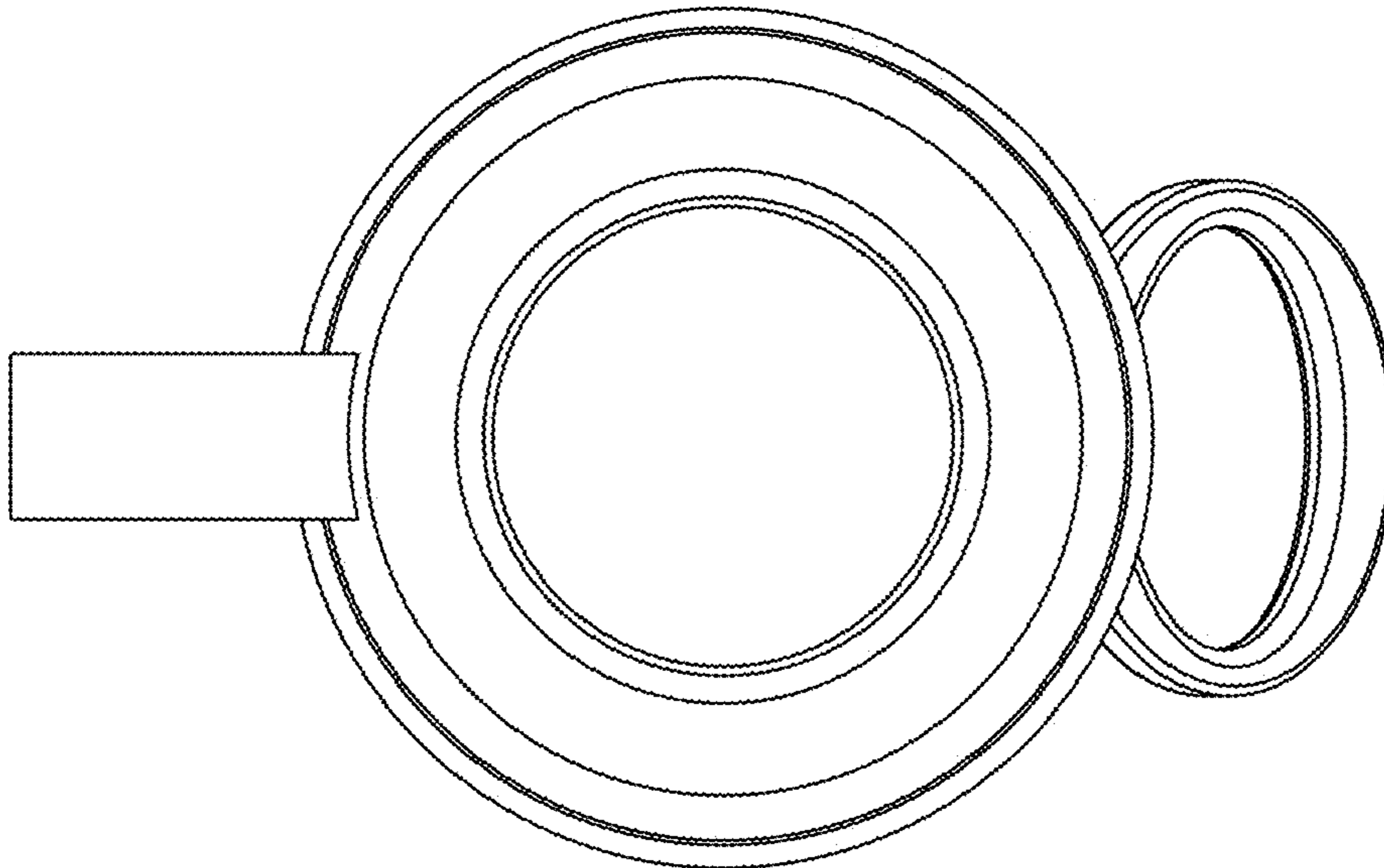


Fig. 8

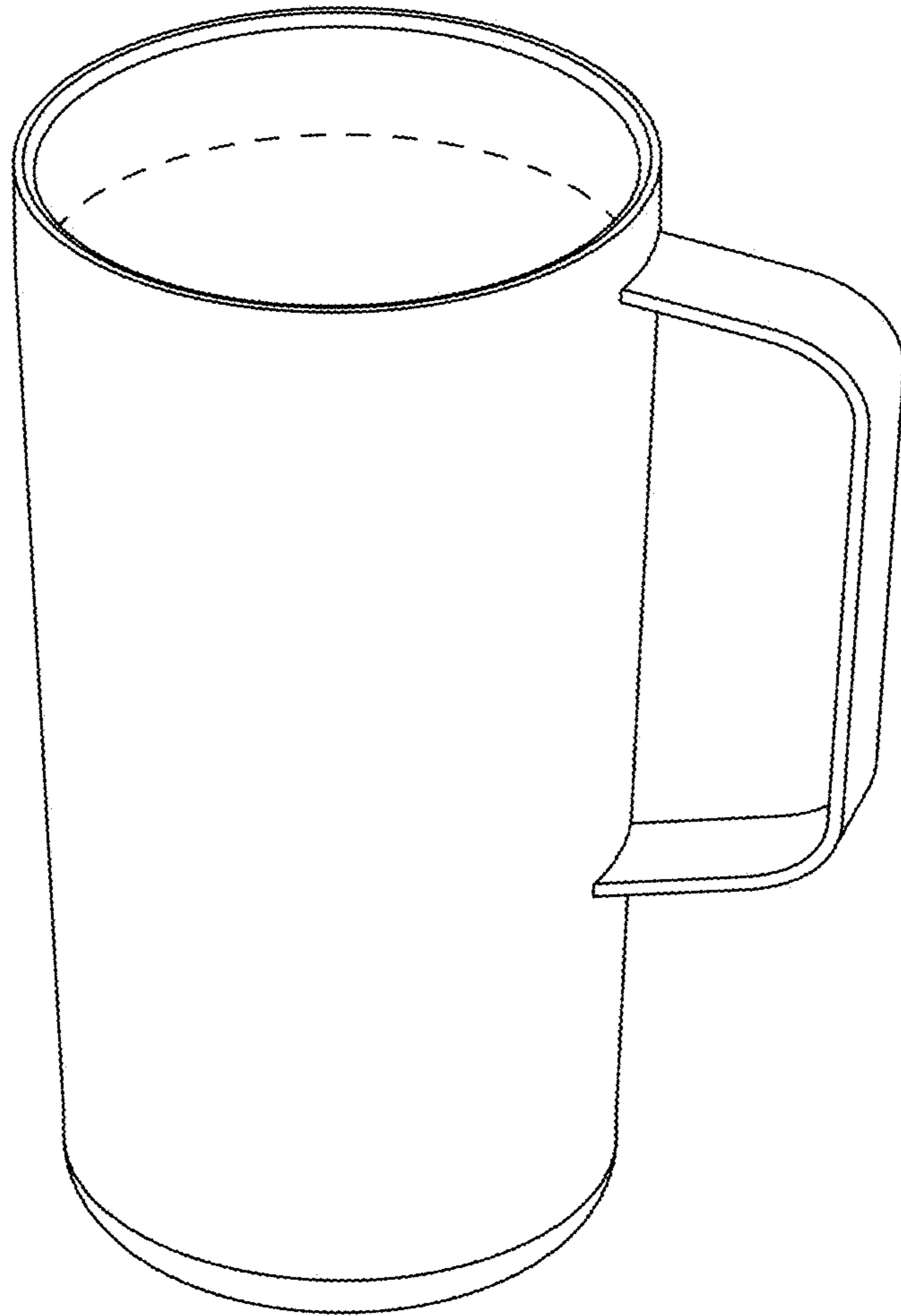


Fig. 9