



US00D982974S

(12) **United States Design Patent** (10) **Patent No.:** **US D982,974 S**
Kaytas et al. (45) **Date of Patent:** **** Apr. 11, 2023**

(54) **DRINKING CUP**

(56) **References Cited**

(71) Applicants: **Baskim Kaytas**, Munich (DE); **Michael Herkommer**, Munich (DE); **Ruth Winterstein**, Kösching (DE); **Alper Ilter**, Istanbul (TR)

U.S. PATENT DOCUMENTS

D379,743 S * 6/1997 Enomoto D7/608
D423,300 S * 4/2000 Matsuyama D7/608
D682,610 S * 5/2013 Carder D7/392.1
D773,809 S * 12/2016 Lieser D3/232
D773,896 S * 12/2016 Dai D7/510
D809,385 S * 2/2018 Brinkworth D7/392.1

(Continued)

(72) Inventors: **Baskim Kaytas**, Munich (DE); **Michael Herkommer**, Munich (DE); **Ruth Winterstein**, Kösching (DE); **Alper Ilter**, Istanbul (TR)

OTHER PUBLICATIONS

(**) Term: **15 Years**

https://www.amazon.com/Wongeto-Paracord-Shoulder-Carabiner-Whistle%EF%BC%88Black%EF%BC%89/dp/B08F4Z193L?ref_ast_slp_dp&th=1 Jul. 26, 2019 (Year: 2019).*

(21) Appl. No.: **29/752,608**

Primary Examiner — Jae Liang
Assistant Examiner — Ji Sun Yoon

(22) Filed: **Sep. 28, 2020**

(74) *Attorney, Agent, or Firm* — Dicke, Billig & Czaja, PLLC

Related U.S. Application Data

(62) Division of application No. 29/705,317, filed on Sep. 11, 2019, now Pat. No. Des. 928,564.

(57) **CLAIM**

(30) **Foreign Application Priority Data**

The ornamental design for a drinking cup, as shown and described.

Mar. 14, 2019 (EM) 006309712-0001
Mar. 14, 2019 (EM) 006309712-0002
Mar. 14, 2019 (EM) 006309712-0003
Mar. 14, 2019 (EM) 006309712-0004

DESCRIPTION

(51) **LOC (14) Cl.** **07-01**

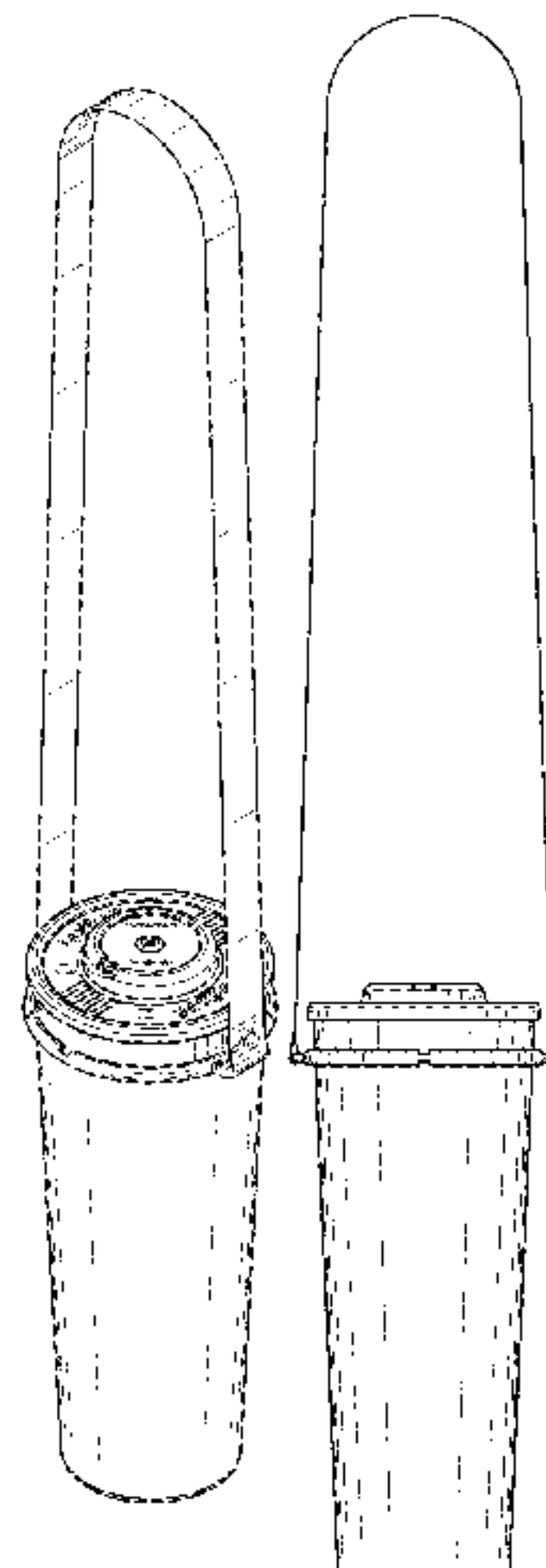
FIG. 1 is a perspective view of a first embodiment of a drinking cup showing our new design;
FIG. 2 is a front view of the drinking cup of FIG. 1;
FIG. 3 is a side view of the drinking cup of FIG. 1;
FIG. 4 is a bottom view of the drinking cup of FIG. 1;
FIG. 5 is a top view of the drinking cup of FIG. 1;
FIG. 6 is a perspective view of a second embodiment of a drinking cup;
FIG. 7 is a front view of the drinking cup of FIG. 6;
FIG. 8 is a side view of the drinking cup of FIG. 6;
FIG. 9 is a bottom view of the drinking cup of FIG. 6; and,
FIG. 10 is a top view of the drinking cup of FIG. 6.

(52) **U.S. Cl.**
USPC **D7/510**; D7/511

(58) **Field of Classification Search**
USPC D7/507, 509, 510, 511, 523, 532, 533, D7/536, 608, 601, 602, 392.1, 396.2, 512, D7/708.1, 619.1, 622, 633; D9/503, 504; D24/197, 199; D3/202
CPC A47G 19/22; A47G 19/2288; A47G 19/2205; A47G 2019/2277; A45F 3/20; A47J 41/02

See application file for complete search history.

(Continued)



The broken lines in the Figures are included for the purpose of illustrating portions of the drinking cup that form no part of the claimed design.

1 Claim, 10 Drawing Sheets

(56)

References Cited

U.S. PATENT DOCUMENTS

D839,666 S *	2/2019	Bradshaw	D7/396.2
D924,631 S *	7/2021	Gui	D7/510
D928,564 S *	8/2021	Kaytas	D7/533

* cited by examiner

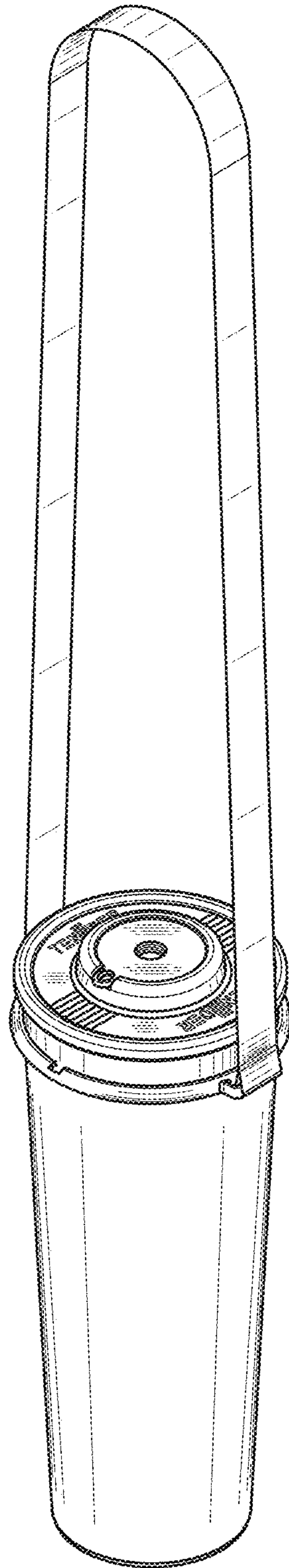


FIG. 1

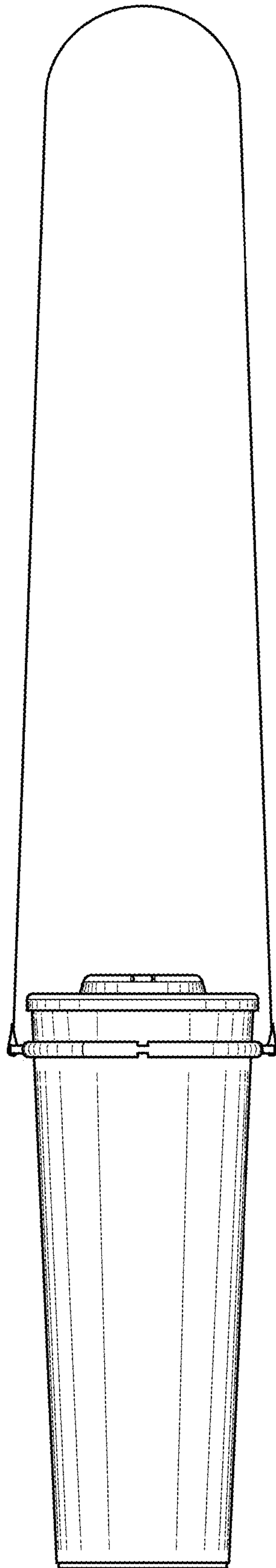


FIG. 2

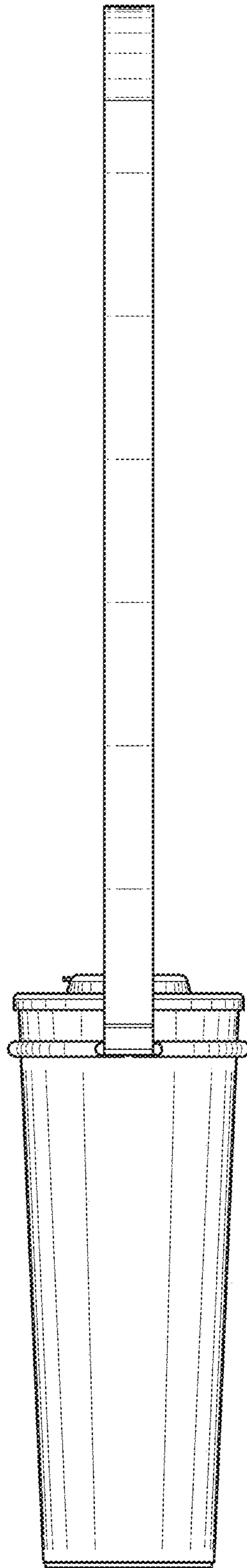


FIG. 3

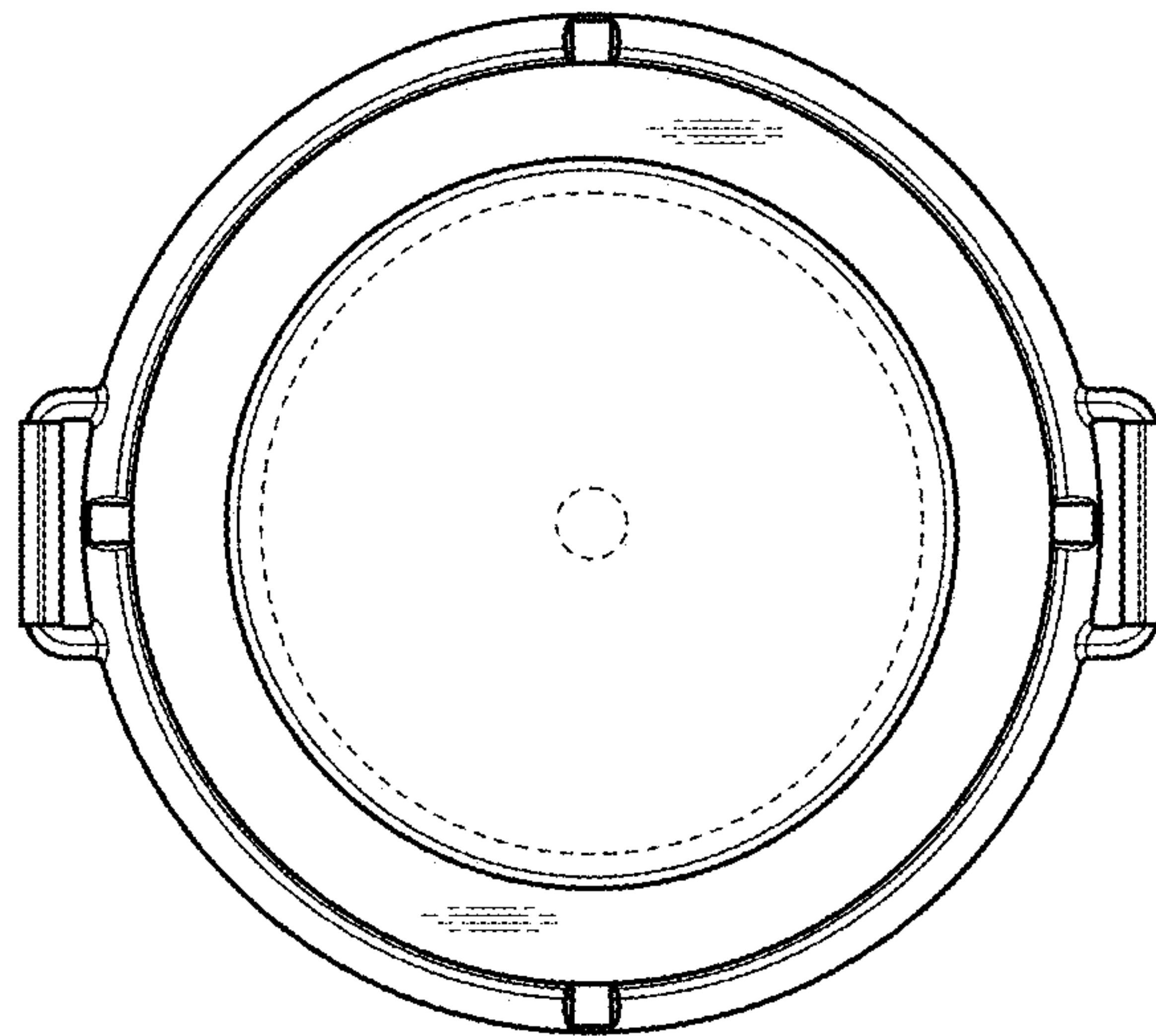


FIG. 4

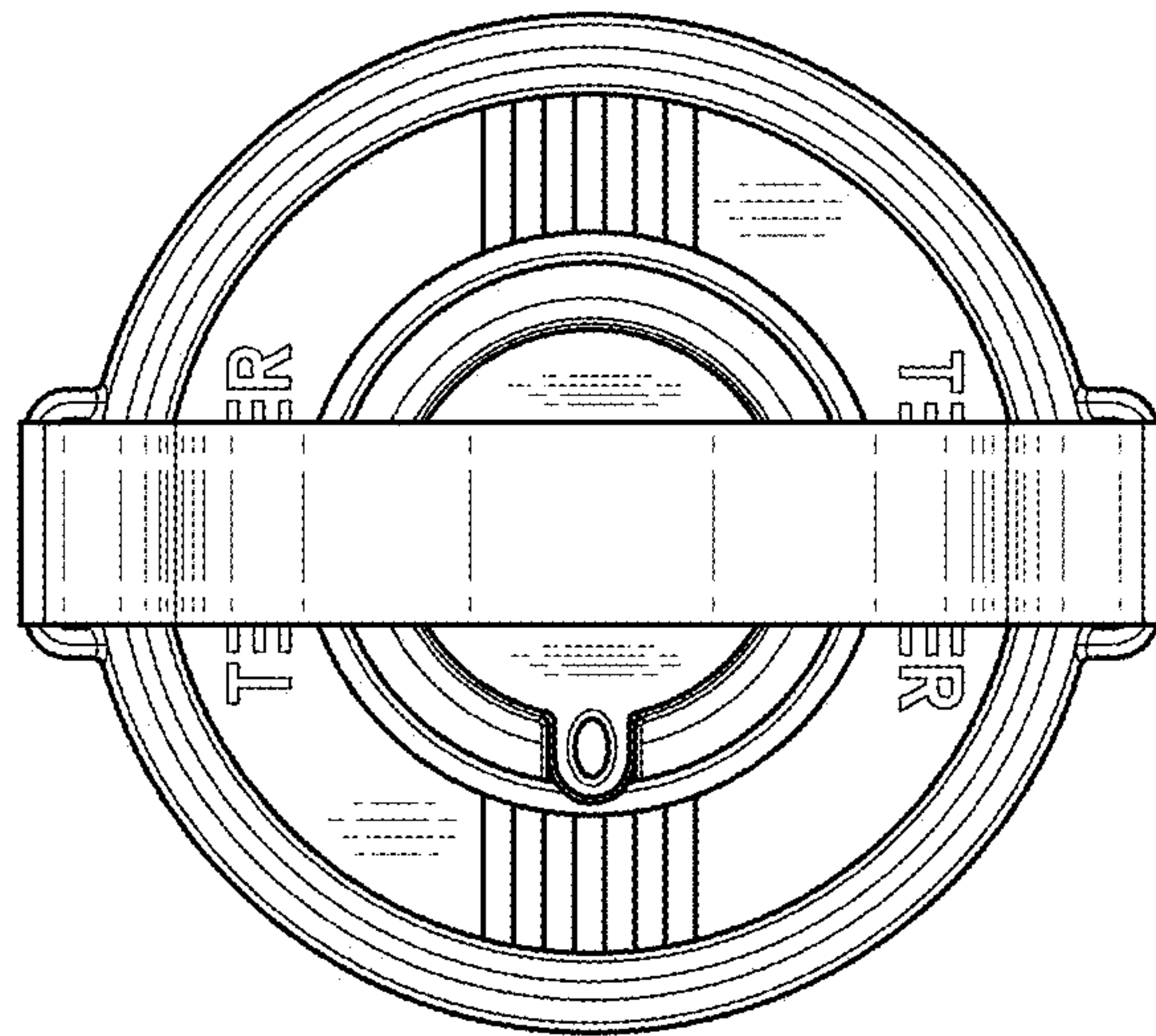


FIG. 5

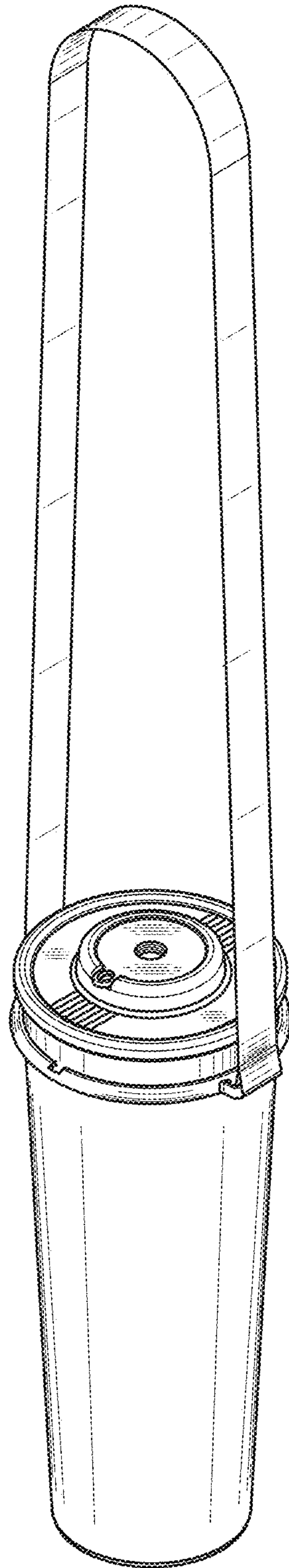


FIG. 6

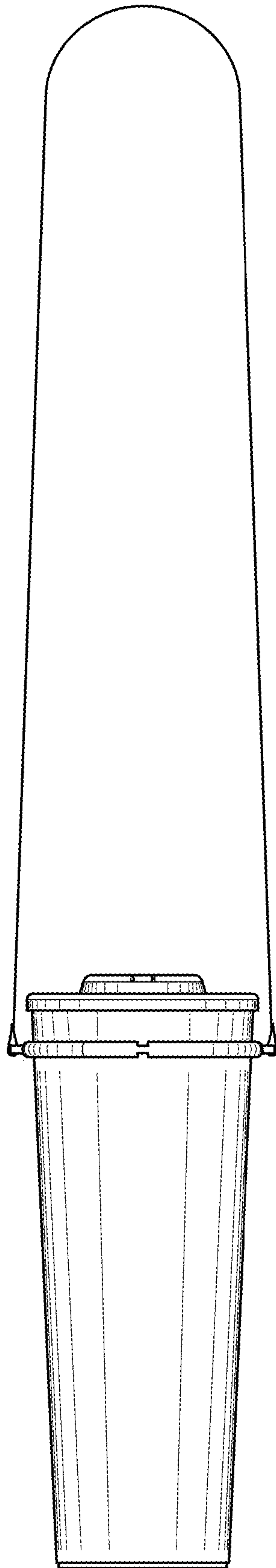


FIG. 7

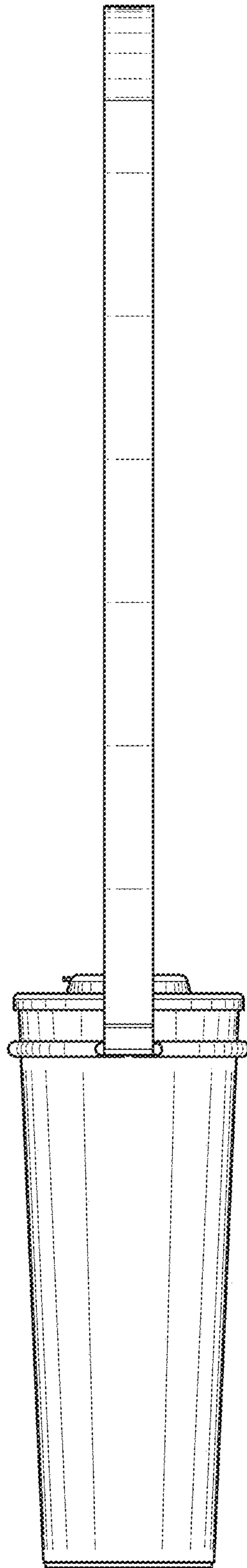


FIG. 8

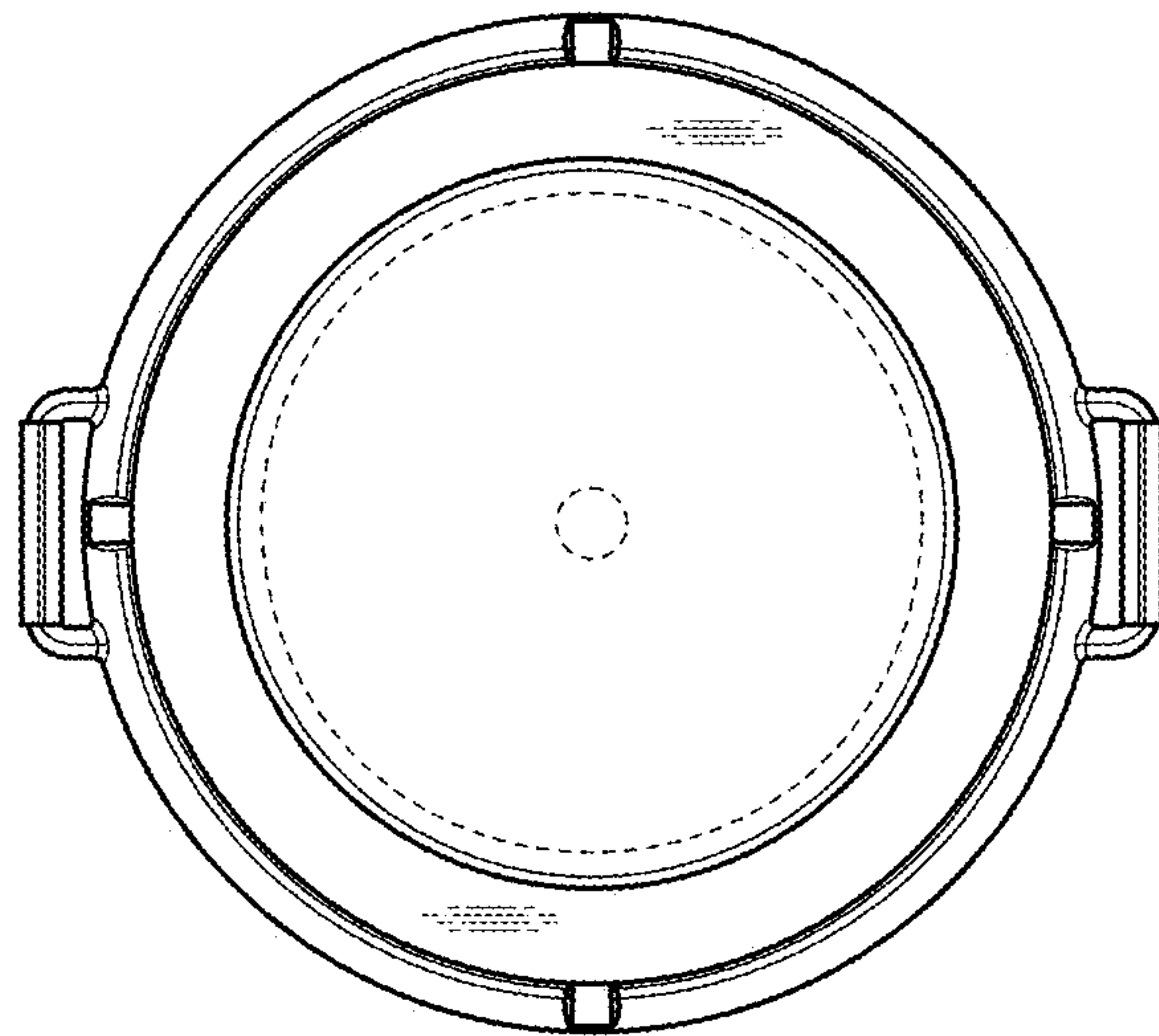


FIG. 9

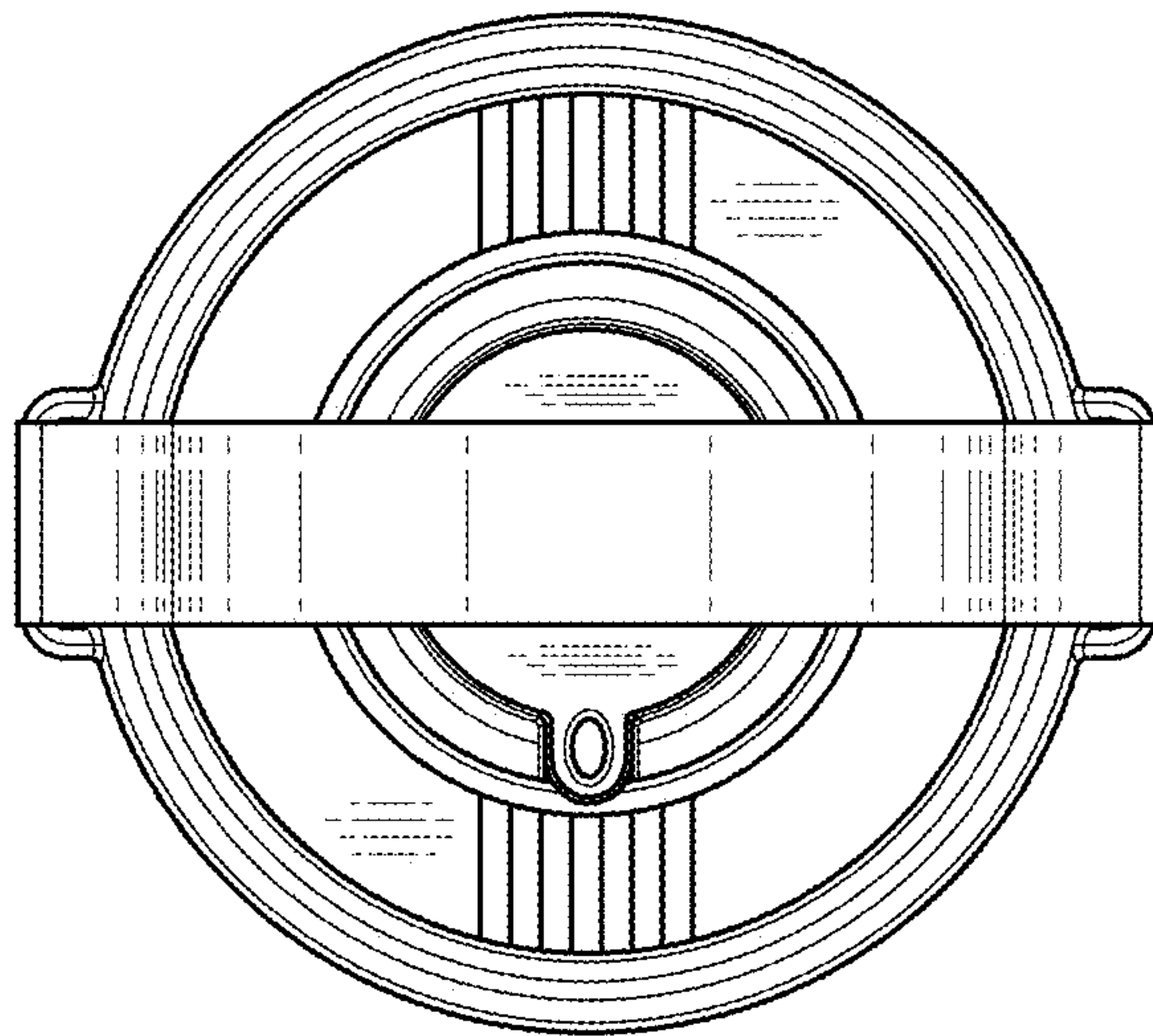


FIG. 10