



US00D982973S

(12) **United States Design Patent** (10) **Patent No.:** **US D982,973 S**  
**Jinkins et al.** (45) **Date of Patent:** **\*\* Apr. 11, 2023**

(54) **TUMBLER**

(71) Applicant: **YETI Coolers, LLC**, Austin, TX (US)

(72) Inventors: **Cody Jinkins**, Austin, TX (US); **Liza Morris**, Austin, TX (US); **Dustin Bullock**, Austin, TX (US)

(73) Assignee: **YETI Coolers, LLC**, Austin, TX (US)

(\*\*) Term: **15 Years**

(21) Appl. No.: **29/708,807**

(22) Filed: **Oct. 9, 2019**

(51) **LOC (14) Cl.** ..... **07-01**

(52) **U.S. Cl.**  
USPC ..... **D7/510; D7/511**

(58) **Field of Classification Search**  
USPC ..... D7/507, 509, 510, 511, 523, 533, 536, D7/392.1, 396.1, 396.2, 608, 300.1, 598, D7/600, 532, 900; D9/443, 446, 449; D3/202; D29/125, 126; 220/713, 715  
CPC ..... A47G 19/2205; A47G 23/16; A47G 19/2272; A47J 41/00; A47J 41/02; A47J 41/0088; A47J 41/0077; Y10S 220/903; B65D 21/02; B65D 43/00; B65D 41/00  
See application file for complete search history.

(56) **References Cited**

**U.S. PATENT DOCUMENTS**

D2,440 S	9/1866	Matthews, Jr.
604,514 A	5/1898	Belden
899,290 A	9/1908	Bricker et al.
1,133,420 A	3/1915	Young
D47,798 S	9/1915	Pick

(Continued)

**FOREIGN PATENT DOCUMENTS**

AU	2011211425 A1	9/2011
CA	2534232 A1	2/2005

(Continued)

**OTHER PUBLICATIONS**

F-32 [online] URL: <https://www.amazon.com/F-32-Handle-Available-PREVIOUS-Rambler/dp/B01EKKXO3A/> (site visited: Feb. 11, 2022) (Year: 2016).\*

(Continued)

*Primary Examiner* — Jae Liang

*Assistant Examiner* — Tia Ruth-Renee Polidori

(74) *Attorney, Agent, or Firm* — Banner & Witcoff, Ltd.

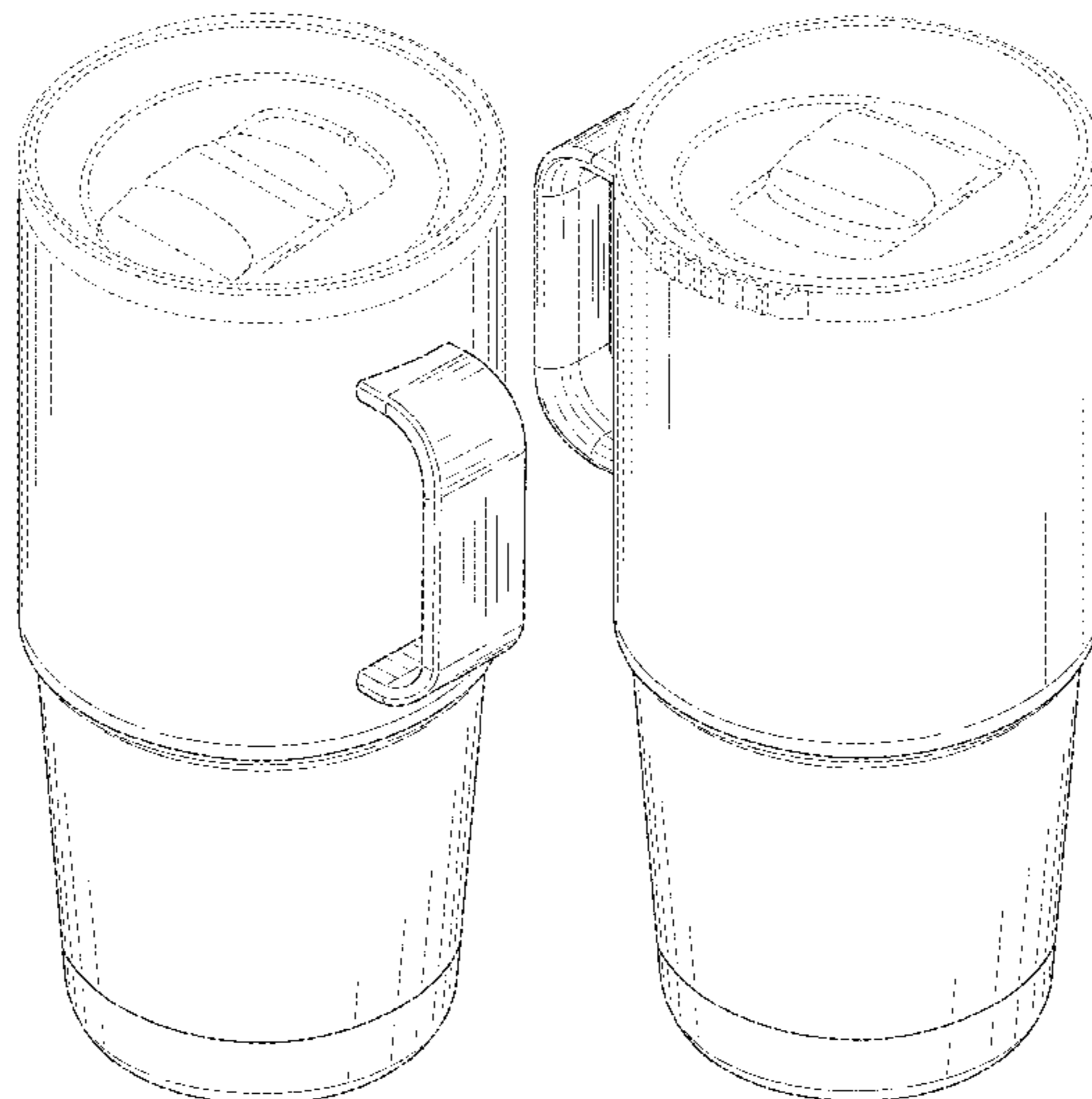
(57) **CLAIM**

The ornamental design for a tumbler, as shown and described.

**DESCRIPTION**

FIG. 1 is a top, front, right perspective view of a tumbler showing our new design;  
FIG. 2 is a top, rear, left perspective view thereof;  
FIG. 3 is a front view thereof;  
FIG. 4 is a rear view thereof;  
FIG. 5 is a right side view thereof;  
FIG. 6 is a left side view thereof;  
FIG. 7 is a top view thereof;  
FIG. 8 is a bottom view thereof; and,  
FIG. 9 is a cross-sectional view of FIG. 3 thereof.  
The broken lines immediately adjacent to the shaded area define the bounds of the claimed design and form no part thereof. The even length broken lines in FIG. 9, which show the cross-sectional portion of the tumbler, define the bounds of the claimed design and form no part thereof. The dot-dash broken line in FIG. 9 represents the boundary for the cross-sectional view as shown in FIG. 3. The dot-dash broken lines in FIG. 3 illustrate cross-sectional view indicia and forms no part of the claimed design. The even length broken lines of the lid illustrate portions of the tumbler that form no part of the claimed design.

**1 Claim, 9 Drawing Sheets**



(56)

References Cited

U.S. PATENT DOCUMENTS

			4,869,390 A *	9/1989	Kennedy .....	A47G 19/2205 220/709
			D307,743 S	5/1990	Pierce et al.	
			D314,708 S	2/1991	DeCoster	
2,029,429 A	2/1936	Koons	4,993,675 A	2/1991	Walker	
2,070,414 A	2/1937	Snell	4,997,124 A	3/1991	Kitabatake et al.	
2,088,387 A	7/1937	Rice, Jr. et al.	5,066,529 A	11/1991	Huber et al.	
D109,789 S	5/1938	Pershall	5,168,793 A	12/1992	Padamsee	
2,128,466 A	8/1938	Machotka	D334,869 S	4/1993	Mills	
D112,150 S	11/1938	Pershall	5,208,951 A	5/1993	Aoki	
D114,536 S	5/1939	Hacmac	D337,029 S	7/1993	McKechnie	
D121,154 S	6/1940	Bernhardt	D346,092 S	4/1994	Van De Velde	
D121,644 S	7/1940	Ullman	D357,387 S	4/1995	Davidson et al.	
2,215,402 A	9/1940	McDonald	5,427,269 A	6/1995	Willbrandt	
2,304,214 A	12/1942	Straub	5,433,337 A	7/1995	Willbrandt	
D135,458 S	4/1943	Gutekunst	D362,369 S	9/1995	Bridges	
2,378,867 A	6/1945	Reichart	5,462,189 A	10/1995	Pierce	
D157,491 S	2/1950	Heintze	D370,384 S	6/1996	Shamis	
D166,941 S	6/1952	Appleton	5,531,353 A	7/1996	Ward et al.	
2,643,021 A	6/1953	Freedman	D372,839 S	8/1996	Laib	
D177,559 S	5/1956	Emmert	D379,738 S	6/1997	Liming et al.	
2,762,621 A	9/1956	Zumwalt	D382,174 S	8/1997	Grimm	
D180,816 S	8/1957	Bergen et al.	5,655,805 A	8/1997	Shaddy	
2,871,051 A	1/1959	Nesslein et al.	D384,557 S	10/1997	Goza	
D186,555 S	11/1959	Hunt	D384,646 S	10/1997	Miller et al.	
2,928,570 A	3/1960	Fitch	5,678,725 A	10/1997	Yamada et al.	
2,981,562 A	4/1961	Long	D387,620 S *	12/1997	Trombly .....	A47G 19/2227 D7/510
3,107,029 A	10/1963	Rylander	D391,401 S	3/1998	Josephs	
3,202,309 A	8/1965	Simpson	D391,402 S	3/1998	Josephs	
3,261,633 A	7/1966	Sakuta	D391,403 S	3/1998	Josephs	
3,342,370 A	9/1967	Johnson	5,727,253 A	3/1998	Wilkinson	
D209,308 S	11/1967	Schilling	D393,547 S	4/1998	Josephs	
D209,533 S	12/1967	Cole	5,753,323 A	5/1998	Andrus	
D211,818 S	7/1968	Massey	D395,238 S	6/1998	Freitas	
3,458,164 A	7/1969	Massey	D395,825 S	7/1998	Freitas	
D217,781 S	6/1970	Stone	D396,381 S	7/1998	Chung	
3,679,253 A	7/1972	Simms	5,788,298 A	8/1998	Cheng	
3,682,352 A	8/1972	Doucette	5,799,369 A	9/1998	Schulein	
D229,006 S	11/1973	Sauey	5,816,631 A	10/1998	Kochan	
3,938,690 A	2/1976	Butler	D400,401 S	11/1998	Lynd	
3,967,026 A	6/1976	Dalblom	5,848,722 A	12/1998	Hanes	
3,979,011 A	9/1976	Schleicher	5,868,310 A	2/1999	Leszczynski	
4,057,167 A	11/1977	Lee	D409,840 S	5/1999	Pretorius	
4,064,305 A	12/1977	Wallin	D412,806 S	8/1999	Pierce	
4,106,124 A	8/1978	Green	5,972,479 A	10/1999	Lehman	
4,120,073 A	10/1978	Studebaker	D416,444 S	11/1999	J.o slashed.rgensen	
4,127,915 A	12/1978	Logan et al.	D416,755 S	11/1999	Trombly	
D251,175 S	2/1979	Logan et al.	D416,757 S	11/1999	Ginuntoli	
D254,417 S	3/1980	DeMars et al.	5,984,156 A	11/1999	Bridges	
D255,858 S	7/1980	Ashton	D417,365 S	12/1999	Huang	
D256,418 S	8/1980	Corbett	D417,589 S	12/1999	Parker	
D258,795 S	4/1981	Zamorski	D417,819 S	12/1999	Kelly-Pollet	
4,291,082 A	9/1981	Stall	D425,374 S	5/2000	Besser et al.	
D265,159 S	6/1982	La Barbera	6,061,828 A	5/2000	Josephs	
D265,279 S	7/1982	Wright	D427,853 S *	7/2000	Kohlhase .....	D7/510
D265,880 S	8/1982	Craig	D428,306 S	7/2000	Lee	
4,375,488 A	3/1983	Hogan	D428,590 S	7/2000	Lagaay	
4,493,863 A	1/1985	Karlsson	D429,607 S	8/2000	Prim	
4,560,075 A	12/1985	Lu	D429,959 S	8/2000	Otake	
4,570,817 A	2/1986	Hambleton et al.	6,102,458 A	8/2000	Scace	
D285,032 S	8/1986	Alonzo	D432,865 S	10/2000	Cohen	
D286,967 S	12/1986	Appel	6,127,007 A	10/2000	Cox et al.	
D287,451 S	12/1986	Schrock	6,127,022 A	10/2000	Pretorius	
D288,667 S	3/1987	Miner	6,135,312 A	10/2000	Chen et al.	
4,654,274 A	3/1987	DeMars	D433,876 S	11/2000	Freed	
D289,484 S	4/1987	Forquer et al.	D433,877 S *	11/2000	Bickert .....	D7/394
4,671,988 A	6/1987	Dowell et al.	6,149,028 A	11/2000	Yu	
D293,293 S	12/1987	Isles	D436,294 S *	1/2001	Marck .....	D7/532
4,746,032 A	5/1988	Huang	D436,295 S	1/2001	Furman et al.	
D297,596 S	9/1988	Marquart, Sr.	D437,187 S	2/2001	Cheng	
D297,786 S	9/1988	Braungardt	6,216,909 B1	4/2001	Lin	
D298,200 S	10/1988	Block et al.	6,237,801 B1	5/2001	Liu	
4,819,829 A	4/1989	Rosten et al.	6,241,415 B1	6/2001	Stark	
D301,289 S	5/1989	McIlhinney	D444,349 S	7/2001	Lin	
D301,803 S	6/1989	McIlhinney	6,260,732 B1	7/2001	Khodush	
D301,804 S	6/1989	McIlhinney	D446,687 S	8/2001	Furman et al.	
D301,805 S	6/1989	McIlhinney	D448,620 S	10/2001	Neal	
4,848,625 A	7/1989	Lucia	D449,963 S	11/2001	Neal	

(56)

References Cited

U.S. PATENT DOCUMENTS

6,332,557 B1	12/2001	Moran	D512,275 S	12/2005	Kent-Fawkes
6,352,235 B2	3/2002	Cizek	6,979,031 B2	12/2005	Coppotelli et al.
6,360,913 B1	3/2002	Bruinsma et al.	D515,358 S	2/2006	Orr et al.
D455,610 S	4/2002	Bridges	D518,963 S	4/2006	Peterson
D455,613 S	4/2002	Bruinsma et al.	D522,855 S	6/2006	Liebe et al.
D456,212 S	4/2002	Bridges	D523,692 S	6/2006	Meehan
D456,578 S	4/2002	Smith et al.	D523,693 S	6/2006	Bodum
D457,389 S	5/2002	Snell	D524,607 S	7/2006	Kent-Fawkes
D457,395 S	5/2002	Gluck	7,104,413 B2	9/2006	Liu
D457,786 S	5/2002	Wrob	D530,153 S	10/2006	Karp
6,382,449 B1 *	5/2002	Kazmierski ..... B65D 21/086 220/4.03	D531,033 S	10/2006	Schmidtner et al.
D458,081 S	6/2002	Bodum	D531,451 S	11/2006	Bin
D458,082 S	6/2002	Gluck	D531,454 S	11/2006	Zerillo et al.
6,409,038 B1	6/2002	Karp	D533,402 S	12/2006	Bin
RE37,773 E	7/2002	Trombley	D533,403 S	12/2006	Bhavnani
D460,324 S *	7/2002	Norris ..... D7/533	D533,747 S *	12/2006	Jin ..... D7/533
D460,895 S	7/2002	Lin	D533,748 S	12/2006	Bresler
D461,679 S	8/2002	Robinson et al.	D533,779 S	12/2006	Schmidtner et al.
D462,575 S	9/2002	Gluck	D534,069 S	12/2006	Ohno et al.
D462,879 S	9/2002	Martens	D534,396 S	1/2007	Kramer
6,450,363 B1	9/2002	Lin	D536,213 S	2/2007	Schuler et al.
D463,715 S	10/2002	Dretzka	D536,214 S	2/2007	Schuler et al.
D466,371 S	12/2002	Parker	D537,676 S	3/2007	Kingsley
D469,309 S	1/2003	Janky	D537,677 S	3/2007	Bresler
D469,658 S	2/2003	Norris et al.	D538,050 S	3/2007	Tardif
D471,763 S	3/2003	Hurlbut et al.	7,194,951 B1 *	3/2007	Porter ..... A47J 31/44 99/287
D472,101 S	3/2003	Janky	7,195,137 B2	3/2007	Belcastro
D472,425 S *	4/2003	Hurlbut ..... D7/533	D539,609 S	4/2007	Ying et al.
D474,613 S	5/2003	Hexels	D541,105 S	4/2007	Jin
D474,897 S	5/2003	Clausen et al.	7,207,538 B2	4/2007	Kent-Fawkes
6,557,751 B2	5/2003	Puerini	D544,302 S	6/2007	Gibbons
D475,891 S	6/2003	Bin	D545,128 S	6/2007	Liu et al.
D476,193 S	6/2003	Janky	D545,129 S	6/2007	Tien
D477,185 S	7/2003	Janky	D545,624 S	7/2007	Tien
D477,532 S	7/2003	Wong	D546,125 S	7/2007	Bhavnani
6,588,064 B2	7/2003	Baum	D548,012 S	8/2007	Tien
6,626,326 B2	9/2003	Murakami	D548,155 S	8/2007	Eskandry
D481,590 S	11/2003	Lin	D548,522 S	8/2007	Greenspon
D481,591 S	11/2003	Lin	D548,523 S	8/2007	Greenspon
D482,238 S	11/2003	Lin	D548,599 S	8/2007	Blasko
D482,933 S	12/2003	Norris et al.	D550,032 S	9/2007	Tien
D483,165 S	12/2003	Dretzka	D550,038 S	9/2007	Trombly
D483,226 S	12/2003	Belton et al.	D550,503 S	9/2007	Liu
D483,995 S	12/2003	Otake	D552,932 S	10/2007	Carlson
D484,361 S	12/2003	Jeung	D553,440 S	10/2007	Bodum
6,658,701 B1	12/2003	DeHart et al.	D553,910 S	10/2007	Bodum
D485,685 S	1/2004	Zupkofska et al.	7,275,653 B2	10/2007	Tedford, Jr.
D485,992 S	2/2004	Zupkofska et al.	7,284,777 B1	10/2007	Kraemer
D486,697 S	2/2004	Copeland	D554,431 S	11/2007	Tien
D486,996 S	2/2004	Karp	D555,430 S	11/2007	Tien
D486,997 S	2/2004	Janky	D557,567 S	12/2007	Gronikowski et al.
D488,672 S	4/2004	Oas	D557,902 S	12/2007	Parrish
D488,673 S	4/2004	Farce	D558,523 S	1/2008	Bhavnani
D489,577 S	5/2004	Giampavolo	D560,512 S	1/2008	Safar
D490,274 S	5/2004	Irvine	D560,915 S	2/2008	Crye et al.
6,729,665 B1	5/2004	Posey et al.	D561,535 S	2/2008	Jin
D491,136 S	6/2004	Zanzig et al.	D561,590 S	2/2008	Kingsley
D491,371 S	6/2004	Livingston	7,328,789 B2	2/2008	Bohanan, Jr. et al.
D491,372 S	6/2004	Dugas et al.	D563,725 S	3/2008	Alviar et al.
6,752,287 B1	6/2004	Lin	D564,300 S	3/2008	Liu
D493,068 S	7/2004	Slater et al.	D565,901 S	4/2008	Edelstein et al.
D497,515 S *	10/2004	Bydalek ..... D7/394	D566,471 S	4/2008	Bodum
D498,979 S	11/2004	Bhavnani	D567,590 S	4/2008	Bodum
6,824,003 B1	11/2004	Wong	D568,107 S	5/2008	Bhavnani
D501,091 S	1/2005	McGahee	D568,685 S	5/2008	Bodum
D502,633 S	3/2005	Liu	D569,182 S	5/2008	Homma
6,864,462 B2	3/2005	Sanoner et al.	D569,183 S	5/2008	Blake
D505,792 S	6/2005	Stieneker	D569,188 S	5/2008	Tornqvist
D507,458 S	7/2005	Allen et al.	D571,152 S	6/2008	Tien
6,933,023 B2	8/2005	Clausen et al.	D571,153 S	6/2008	Lopez
D511,653 S	11/2005	Oas	D571,154 S	6/2008	Pearson
6,962,265 B1	11/2005	Zhang	D572,083 S	7/2008	Tien
D512,269 S	12/2005	Trombly	D572,473 S	7/2008	Tuttle
D512,272 S	12/2005	Avrish	D572,474 S	7/2008	Tuttle
			D572,475 S	7/2008	Tuttle
			D573,839 S	7/2008	Sun
			D573,840 S	7/2008	Kramer
			D577,260 S	9/2008	Bodum

(56)

References Cited

U.S. PATENT DOCUMENTS

7,455,191 B2	11/2008	Bhavnani	D656,742 S	4/2012	Culler et al.
D582,206 S	12/2008	Fuller	D656,743 S	4/2012	Culler et al.
D583,191 S	12/2008	Wong	D657,961 S	4/2012	Brookman
D584,102 S	1/2009	Valderrama et al.	D658,922 S	5/2012	Fallon et al.
D584,106 S	1/2009	Wong	D659,474 S *	5/2012	Wahl ..... D7/510
7,476,438 B2	1/2009	Gorres	D660,082 S	5/2012	Wahl
D586,182 S	2/2009	Trombly	D663,959 S	7/2012	Brookman
D587,523 S	3/2009	Moon	D663,960 S	7/2012	Jeronimo
D588,912 S	3/2009	Christensen et al.	D664,001 S	7/2012	Liu
D589,747 S	4/2009	Wong	8,215,519 B2	7/2012	Steininger
D589,751 S	4/2009	Liu et al.	D664,812 S	8/2012	Bickert et al.
D591,103 S	4/2009	Wong	D666,052 S	8/2012	Trombly
7,513,380 B2	4/2009	Canedo	D667,268 S	9/2012	Pallotto
D591,556 S	5/2009	Fuller	D667,272 S	9/2012	Fishman et al.
D592,015 S	5/2009	Carpenter	D669,306 S	10/2012	Barreto et al.
D592,058 S	5/2009	Rapaport	D669,310 S	10/2012	Barreto et al.
D592,861 S	5/2009	Crye et al.	D669,735 S	10/2012	Wong
7,527,310 B2	5/2009	Shaskey, Sr.	D670,085 S	11/2012	Brookman et al.
D593,802 S	6/2009	Baek	D670,525 S	11/2012	Fallon et al.
D593,859 S	6/2009	Barnum	D672,157 S	12/2012	Brookman
D594,699 S	6/2009	Spivey et al.	8,340,358 B2	12/2012	Cincotti et al.
D595,133 S	6/2009	Lewis	D675,063 S	1/2013	Wahl
D598,747 S	8/2009	Caldwell	8,364,542 B2	1/2013	Grauel et al.
D600,073 S	9/2009	Carreno	D677,122 S	3/2013	Liu
D601,246 S	9/2009	Stonebraker	8,397,934 B2	3/2013	Lai
7,581,704 B1	9/2009	Pugsley	8,397,940 B2	3/2013	Steininger
7,581,770 B2	9/2009	Jones	8,403,166 B2	3/2013	Steininger
7,591,389 B2	9/2009	Wong	D679,099 S	4/2013	Johnson et al.
D602,258 S	10/2009	Simione et al.	D680,378 S	4/2013	Romley
7,604,270 B1	10/2009	McCarthy	D681,162 S	4/2013	Kruse et al.
D604,102 S	11/2009	Pearson	8,420,206 B2	4/2013	Bernegger et al.
7,611,029 B2	11/2009	Wong	8,484,809 B2	7/2013	Fiedler
D609,054 S	2/2010	Gilbert	8,495,803 B2	7/2013	Fiedler
D609,526 S	2/2010	Tuttle	8,499,951 B1	8/2013	McDonald et al.
D609,534 S	2/2010	Traficante et al.	D693,176 S	11/2013	Kaiser
7,686,183 B2	3/2010	Ziegler	D693,583 S	11/2013	Georgevitch
D613,554 S	4/2010	Koennecke	D693,649 S	11/2013	Yeung
D615,358 S	5/2010	Wahl	D696,586 S	12/2013	Huang
D615,366 S	5/2010	Berezansky	8,608,019 B2	12/2013	Wren
D615,762 S	5/2010	Kimmel	D697,319 S	1/2014	Brookman et al.
D616,248 S	5/2010	George	D698,200 S	1/2014	Lauwagie
D617,640 S	6/2010	Jones	8,636,167 B2	1/2014	Hajichristou et al.
D618,050 S	6/2010	Eisenhardt	8,640,904 B2	2/2014	Steininger et al.
D618,964 S	7/2010	Eisenhardt	D700,440 S	3/2014	Johnston
D619,419 S	7/2010	McClellan et al.	8,684,430 B1	4/2014	Brandon
D620,541 S	7/2010	Timbers	D704,986 S	5/2014	Manies
D621,659 S	8/2010	Liu	D705,012 S	5/2014	Lapsker
D622,548 S	8/2010	Jensen et al.	D709,328 S	7/2014	Ross
D625,951 S	10/2010	Baek	D709,737 S	7/2014	Weinert et al.
D628,086 S	11/2010	Tanner et al.	D709,738 S	7/2014	Weinert et al.
D629,623 S	12/2010	Lampe	D711,280 S	8/2014	Tannenbaum
D629,653 S	12/2010	Gullickson et al.	D712,701 S	9/2014	Boroski
7,845,510 B2	12/2010	Schmidtner et al.	D713,202 S	9/2014	Lin
7,850,037 B2	12/2010	Schmidtner et al.	D713,686 S *	9/2014	Eyal ..... D7/509
D631,284 S	1/2011	Fuller	D715,100 S	10/2014	Eyal
D631,539 S	1/2011	Stonebraker	8,871,327 B2	10/2014	Tsai
7,874,447 B2	1/2011	Schmidtner et al.	D716,560 S	11/2014	Boghosian
D631,699 S	2/2011	Moreau	D717,103 S	11/2014	Wilbur
D633,198 S	2/2011	Boyd	D717,605 S	11/2014	Kristinik
7,878,365 B1	2/2011	Meehan	D717,606 S	11/2014	Kristinik
D636,640 S	4/2011	Latham	D718,087 S	11/2014	Marasligiller et al.
D637,286 S	5/2011	Boyd	D719,408 S	12/2014	Weber
D638,535 S	5/2011	Stonebraker	D720,183 S	12/2014	Chiang
7,950,541 B2	5/2011	Holcomb et al.	D720,187 S	12/2014	Romley
D639,423 S	6/2011	Boyd	8,899,644 B2	12/2014	Hancey
D640,062 S	6/2011	Shevtsova et al.	8,919,593 B2	12/2014	Sinacori et al.
D641,557 S	7/2011	Valente et al.	8,919,603 B2	12/2014	Greene
D643,289 S	8/2011	Harlan	8,925,756 B2	1/2015	Tarapata et al.
D647,760 S	11/2011	Pearson	D725,970 S	4/2015	Karussi et al.
D648,599 S	11/2011	Watanabe et al.	9,005,741 B1	4/2015	Hoffer et al.
8,061,541 B2	11/2011	Trumpp et al.	D728,311 S	5/2015	Eyal
D651,045 S	12/2011	Eyal	D728,313 S	5/2015	Bo
D652,248 S	1/2012	Valderrama et al.	D729,524 S	5/2015	Brencick
D652,256 S	1/2012	Eyal	D729,581 S	5/2015	Boroski
D656,323 S	3/2012	Jeronimo	9,021,662 B1	5/2015	Jones
			9,022,239 B2	5/2015	Mackenzie et al.
			9,038,850 B1	5/2015	Wilson
			D730,696 S	6/2015	Nemeth et al.
			D731,251 S	6/2015	Lane

(56)

References Cited

U.S. PATENT DOCUMENTS

D732,338 S	6/2015	Boroski		D833,227 S	11/2018	Kehrein	
D732,343 S	6/2015	Romley		D833,817 S	11/2018	Sletten	
D732,895 S	6/2015	McClellan		10,124,942 B2	11/2018	Seiders et al.	
9,062,938 B1	6/2015	McIntosh et al.		D837,601 S	1/2019	Silsby	
D734,092 S	7/2015	Kristinik		D839,049 S	1/2019	Seiders et al.	
D734,096 S	7/2015	George et al.		D842,028 S	3/2019	Melanson et al.	
9,074,849 B1	7/2015	McIntosh et al.		D842,038 S	3/2019	Seiders et al.	
D736,564 S	8/2015	Thornton et al.		10,232,992 B2	3/2019	Seiders et al.	
9,096,148 B2	8/2015	Fiedler		10,232,993 B2	3/2019	Seiders et al.	
D740,073 S	10/2015	Zorovich et al.		D850,191 S	6/2019	Jacobsen	
D740,077 S	10/2015	Strepkoff		D850,192 S	6/2019	Jacobsen	
D740,618 S	10/2015	Knoll		10,329,070 B2	6/2019	Wengerd	
D742,173 S	11/2015	Perman		D867,057 S	11/2019	Spivey et al.	
D742,177 S	11/2015	Morris, II et al.		D867,066 S	11/2019	Sletten	
D743,209 S *	11/2015	Maas	D7/532	10,486,868 B2	11/2019	Spivey et al.	
D744,280 S	12/2015	Chiang		D871,149 S	12/2019	Kaiser	
D744,286 S	12/2015	Morris, II et al.		D872,537 S	1/2020	Guccione	
D745,324 S	12/2015	Malaspino		D873,610 S	1/2020	Stanton	
D751,338 S	3/2016	Seiders et al.		D873,611 S	1/2020	Stanton	
D751,339 S	3/2016	Seiders et al.		D875,471 S	2/2020	Cheng et al.	
D751,340 S	3/2016	Seiders et al.		D880,256 S *	4/2020	Silsby	D7/629
D751,341 S	3/2016	Seiders et al.		D882,343 S	4/2020	Rane et al.	
D758,792 S	6/2016	Karussi		D886,526 S	6/2020	Seiders et al.	
D761,619 S	7/2016	Seiders et al.		10,676,251 B2	6/2020	Krafft	
D761,625 S	7/2016	Engler et al.		10,687,644 B1 *	6/2020	Moore	F21V 33/0004
D774,785 S	12/2016	Clarke et al.		10,689,166 B1	6/2020	Cheng	
D776,980 S	1/2017	Thun et al.		D890,573 S	7/2020	Jacobsen	
D781,602 S	3/2017	Taylor		D891,182 S	7/2020	Lane et al.	
D790,272 S	6/2017	Han		D895,370 S *	9/2020	Hamilton	D7/533
D790,866 S	7/2017	Conk		D896,589 S	9/2020	Smith	
D790,913 S	7/2017	Stover et al.		D899,190 S	10/2020	Jacobsen	
D790,921 S	7/2017	Lapsker		D899,191 S *	10/2020	Jacobsen	D7/511
D791,543 S	7/2017	Mulhauser et al.		D899,192 S *	10/2020	Yu	D7/510
D795,643 S	8/2017	Barlow		D899,857 S *	10/2020	Jacobsen	D7/511
D796,256 S	9/2017	Stover et al.		D899,858 S	10/2020	Jacobsen	
D797,510 S *	9/2017	Ke	D7/532	D899,862 S	10/2020	Rane et al.	
9,757,536 B2	9/2017	Abt et al.		10,791,858 B2	10/2020	Robertson	
9,758,290 B2	9/2017	Huang		D904,125 S	12/2020	Jacobsen	
D798,716 S	10/2017	Fitchell		10,870,522 B2	12/2020	Lane	
9,782,029 B1	10/2017	FitzSimons		D909,818 S	2/2021	Hunter et al.	
D801,746 S	11/2017	Thuma et al.		D911,779 S	3/2021	Hunter et al.	
D802,362 S	11/2017	Spivey et al.		D915,827 S *	4/2021	Fang	D7/510
9,815,076 B2	11/2017	Schulz et al.		10,968,029 B1	4/2021	Rane et al.	
D804,905 S	12/2017	Seiders et al.		D917,970 S	5/2021	Bullock et al.	
9,845,181 B2	12/2017	Abraham		D934,633 S *	11/2021	Hunter	D7/510
D808,218 S *	1/2018	Seiders	D7/510	D935,278 S	11/2021	Hunter et al.	
D808,664 S	1/2018	Bauer		D939,278 S	12/2021	Vierck	
D808,722 S *	1/2018	Hill	D7/510	D943,354 S *	2/2022	Powell	D7/532
D808,733 S	1/2018	Spivey et al.		D947,613 S	4/2022	Wahl	
D810,511 S	2/2018	Harrington, III et al.		D955,173 S	6/2022	Smith et al.	
9,889,968 B2	2/2018	Morewitz et al.		D958,602 S	7/2022	Jacob	
D811,817 S	3/2018	Harrington, III et al.		D960,645 S	8/2022	Ji	
D812,979 S	3/2018	Seiders et al.		D960,647 S	8/2022	Yang	
D813,605 S	3/2018	Seiders et al.		D963,410 S	9/2022	Giles	
D814,240 S	4/2018	Kabalin		D964,102 S	9/2022	Jinkins et al.	
D814,242 S *	4/2018	Seiders	D7/532	2001/0025835 A1	10/2001	Costin	
D814,870 S *	4/2018	Spivey	D7/533	2002/0066758 A1	6/2002	Fadal et al.	
D815,893 S	4/2018	Seiders et al.		2002/0094736 A1	7/2002	Hexels	
D815,910 S	4/2018	Bo		2004/0040962 A1	3/2004	Bielecki et al.	
D817,094 S	5/2018	Silsby et al.		2004/0187265 A1	9/2004	Ho	
D817,101 S	5/2018	Kestenbaum et al.		2005/0045643 A1	3/2005	Ghanem	
D819,406 S	6/2018	Rivera		2005/0098565 A1	5/2005	Liu	
D820,044 S	6/2018	Jenkins et al.		2005/0121015 A1	6/2005	Postorivo	
D820,045 S	6/2018	Harrington, III et al.		2005/0161145 A1	7/2005	Record	
D821,151 S	6/2018	Lapsker		2005/0211712 A1	9/2005	Moran	
D822,440 S	7/2018	Kuh et al.		2005/0218109 A1	10/2005	Semersky et al.	
D823,062 S	7/2018	Goodwin et al.		2005/0257308 A1	11/2005	Willis	
D824,212 S	7/2018	Seiders et al.		2006/0127570 A1	6/2006	Casburn et al.	
10,026,535 B2	7/2018	Bohannon		2006/0175506 A1	8/2006	Lan	
D825,993 S *	8/2018	Sadhvani	D7/532	2006/0201945 A1	9/2006	Tedford	
D827,378 S	9/2018	Mulhauser et al.		2007/0012697 A1	1/2007	Holcomb et al.	
D828,724 S *	9/2018	Wall	D7/532	2007/0170184 A1	7/2007	Canedo	
D830,127 S	10/2018	Rohe		2007/0215625 A1	9/2007	Schmidtner et al.	
D830,770 S	10/2018	Verhoeven		2007/0272650 A1	11/2007	Kishi et al.	
D831,427 S	10/2018	Thompson		2007/0295738 A1	12/2007	Hussain	
				2008/0006643 A1	1/2008	Ma	
				2008/0012368 A1	1/2008	Kent-Fawkes	
				2008/0023434 A1	1/2008	Takayama	
				2008/0073343 A1	3/2008	Shadrach et al.	

(56)

References Cited

U.S. PATENT DOCUMENTS

2008/0073347 A1 3/2008 Shadrach  
 2008/0087264 A1 4/2008 Postorivo  
 2008/0101056 A1 5/2008 Bhavnani  
 2009/0008399 A1 1/2009 Mayled et al.  
 2009/0065469 A1 3/2009 McClellan et al.  
 2010/0088797 A1 4/2010 Simione et al.  
 2010/0173041 A1 7/2010 Olivier  
 2010/0200590 A1 8/2010 Shadrach, III et al.  
 2010/0206874 A1 8/2010 Masurier et al.  
 2010/0251119 A1 9/2010 Geppert et al.  
 2011/0007960 A1 1/2011 Nireki  
 2011/0079601 A1 4/2011 Steininger  
 2011/0132907 A1 6/2011 Hajichristou et al.  
 2011/0204017 A1 8/2011 O'Sullivan  
 2012/0012585 A1 1/2012 Sinacori et al.  
 2012/0064311 A1 3/2012 Picciotto  
 2012/0074155 A1 3/2012 Yeung  
 2012/0080429 A1 4/2012 Steininger  
 2012/0080456 A1 4/2012 Steininger  
 2012/0205371 A1 8/2012 Lee  
 2012/0261408 A1 10/2012 White  
 2012/0305558 A1 12/2012 Steininger  
 2012/0305559 A1 12/2012 Steininger  
 2012/0305563 A1 12/2012 Steininger  
 2012/0312816 A1 12/2012 Barreto et al.  
 2013/0098932 A1 4/2013 Hunt  
 2013/0140316 A1 6/2013 Flowers et al.  
 2013/0186849 A1 7/2013 Iwashita  
 2013/0213978 A1 8/2013 Libourel et al.  
 2013/0320013 A1 12/2013 Bratsch  
 2013/0327738 A1 12/2013 Harrison  
 2014/0034080 A1 2/2014 Paquet et al.  
 2014/0117016 A1 5/2014 Hodge  
 2014/0186507 A1 7/2014 Wales  
 2015/0041480 A1 2/2015 Ramsey  
 2015/0102032 A1 4/2015 Dunn et al.  
 2015/0102046 A1 4/2015 Steininger  
 2015/0108150 A1 4/2015 Garcia  
 2015/0108152 A1 4/2015 Franzen et al.  
 2015/0164256 A1 6/2015 Helton  
 2015/0191293 A1 7/2015 Forcella  
 2015/0197390 A1 7/2015 Kurabe et al.  
 2015/0232232 A1 8/2015 Shibuki et al.  
 2015/0250341 A1 9/2015 Liu et al.  
 2015/0291316 A1 10/2015 Fietz  
 2015/0329250 A1 11/2015 Barreto et al.  
 2015/0345911 A1 12/2015 DeMille  
 2015/0351568 A1 12/2015 Blain et al.  
 2016/0272384 A1 9/2016 Lee et al.  
 2016/0298934 A1 10/2016 Mora Gamez  
 2017/0066573 A1 3/2017 Karussi et al.  
 2017/0095120 A1 4/2017 Tolman et al.  
 2017/0119212 A1 5/2017 Petrillo et al.  
 2017/0121072 A1 5/2017 Seiders et al.  
 2017/0121073 A1\* 5/2017 Seiders ..... B65D 43/0229  
 2017/0121074 A1 5/2017 Seiders et al.  
 2017/0225855 A1 8/2017 Lawson et al.  
 2017/0259983 A1 9/2017 Tolman et al.  
 2017/0273484 A1 9/2017 Spivey et al.  
 2017/0276458 A1 9/2017 Scarbrough et al.  
 2017/0362012 A1 12/2017 Choltco-Devlin et al.  
 2018/0009576 A1 1/2018 Sullivan et al.  
 2018/0105346 A1 4/2018 Tolman et al.  
 2018/0127165 A1 5/2018 Smaldone et al.  
 2018/0140120 A1 5/2018 Shackelford  
 2019/0047773 A1 2/2019 Bullock et al.  
 2019/0069699 A1 3/2019 Nichols et al.  
 2019/0092540 A1 3/2019 Spivey et al.  
 2019/0125111 A1 5/2019 Morewitz et al.  
 2019/0152661 A1 5/2019 Seiders et al.  
 2019/0216243 A1\* 7/2019 Honig ..... F21V 23/0485  
 2019/0216245 A1\* 7/2019 Choi ..... A47G 23/0216  
 2019/0331390 A1 10/2019 Chen et al.  
 2020/0055645 A1 2/2020 Lane  
 2020/0231345 A1 7/2020 Lane et al.

2020/0331671 A1 10/2020 Seiders et al.  
 2020/0361672 A1 11/2020 Jinkins et al.  
 2020/0377272 A1 12/2020 Ma et al.  
 2020/0377273 A1 12/2020 Seiders et al.  
 2020/0391910 A1 12/2020 Pinelli et al.  
 2021/0047089 A1 2/2021 Seiders et al.  
 2022/0033139 A1 2/2022 Buhler et al.  
 2022/0087454 A1 3/2022 Meyers et al.  
 2022/0097916 A1 3/2022 Smith et al.  
 2022/0133068 A1 5/2022 Sherburne

FOREIGN PATENT DOCUMENTS

CA 194303 3/2022  
 CH 561528 A5 5/1975  
 CN 3022368 12/1993  
 CN 3257925 10/2002  
 CN 3420755 1/2005  
 CN 3436801 4/2005  
 CN 2706112 Y 6/2005  
 CN 3477483 9/2005  
 CN 3511916 3/2006  
 CN 3511920 3/2006  
 CN 3513127 3/2006  
 CN 3654186 6/2007  
 CN 101037153 A 9/2007  
 CN 300734316 1/2008  
 CN 300794415 6/2008  
 CN 300973246 8/2009  
 CN 301002085 9/2009  
 CN 301303977 8/2010  
 CN 301355584 9/2010  
 CN 302004094 7/2012  
 CN 102802462 A 11/2012  
 CN 302228770 12/2012  
 CN 302251194 12/2012  
 CN 302536044 8/2013  
 CN 302595895 10/2013  
 CN 302595896 10/2013  
 CN 302599017 10/2013  
 CN 302610768 10/2013  
 CN 302634515 11/2013  
 CN 302637895 11/2013  
 CN 302686147 12/2013  
 CN 103479240 A 1/2014  
 CN 302706499 1/2014  
 CN 302706635 1/2014  
 CN 302711957 1/2014  
 CN 302719141 1/2014  
 CN 302732959 2/2014  
 CN 103654438 A 3/2014  
 CN 302751616 3/2014  
 CN 302770712 3/2014  
 CN 302784750 4/2014  
 CN 302823399 5/2014  
 CN 302846547 6/2014  
 CN 302971699 10/2014  
 CN 303116492 3/2015  
 CN 303145228 3/2015  
 CN 303176496 4/2015  
 CN 303223158 5/2015  
 CN 303234974 6/2015  
 CN 303235036 6/2015  
 CN 303235037 6/2015  
 CN 303237155 6/2015  
 CN 303302513 7/2015  
 CN 303304733 7/2015  
 CN 303362116 9/2015  
 CN 303362118 9/2015  
 CN 303420853 10/2015  
 CN 303420854 10/2015  
 CN 303652430 11/2015  
 CN 303473079 12/2015  
 CN 303505432 12/2015  
 CN 303511274 12/2015  
 CN 303515224 12/2015  
 CN 303589339 2/2016  
 CN 303600607 3/2016  
 CN 303637208 4/2016

(56)

## References Cited

## FOREIGN PATENT DOCUMENTS

CN	303802304	8/2016	CN	305993997	S	8/2020
CN	303822422	8/2016	CN	306008756	S	8/2020
CN	303883775	10/2016	CN	306016664	S	8/2020
CN	303893125	10/2016	CN	306016768	S	8/2020
CN	303908827	11/2016	CN	306031191	S	9/2020
CN	303910226	11/2016	CN	306050638	S	9/2020
CN	303911163	11/2016	CN	211748590	U	10/2020
CN	303914569	11/2016	CN	306090110		10/2020
CN	303925734	11/2016	CN	306090181	S	10/2020
CN	303991353	1/2017	CN	212015230	U	11/2020
CN	304012163	1/2017	CN	306186561	S	11/2020
CN	304012164	1/2017	CN	306186641	S	11/2020
CN	304046006	2/2017	CN	306186797	S	11/2020
CN	304050011	2/2017	CN	306214126		12/2020
CN	304080800	3/2017	CN	306214271	S	12/2020
CN	304108559	4/2017	CN	306259892	S	1/2021
CN	304114182	4/2017	CN	212489438	U	2/2021
CN	304147508	5/2017	CN	212574644	U	2/2021
CN	304147509	5/2017	CN	112450686	A	3/2021
CN	206342283	U 7/2017	CN	306378710	S	3/2021
CN	304210706	7/2017	CN	212912633	U	4/2021
CN	304226247	8/2017	CN	306448224	S	4/2021
CN	304267436	9/2017	CN	306457158	S	4/2021
CN	304284969	9/2017	CN	306474585	S	4/2021
CN	304294393	9/2017	DE	102013000557	A1	7/2014
CN	304298678	9/2017	EM	000252754-0003		2/2005
CN	304303134	10/2017	EM	000252754-0006		2/2005
CN	304327361	10/2017	EM	000365952-0002		7/2005
CN	304345278	11/2017	EM	000976196-0003		7/2008
CN	304356418	11/2017	EM	001077283-0001		1/2009
CN	304360902	11/2017	EM	001558552-0001		7/2009
CN	304364308	11/2017	EM	001558552-0002		7/2009
CN	304366727	11/2017	EM	001753419-0005		9/2010
CN	304403495	12/2017	EM	001897141-0008		8/2011
CN	304403505	12/2017	EM	001897141-0009		8/2011
CN	304410431	12/2017	EM	001897141-0011		8/2011
CN	304410432	12/2017	EM	001897141-0012		8/2011
CN	304410762	12/2017	EM	001897141-0012		8/2011
CN	304429381	12/2017	EM	002384289-0001		1/2014
CN	304440055	1/2018	EM	002775078-0001		11/2015
CN	304440069	1/2018	EM	002849075-0001		11/2015
CN	304440234	1/2018	EM	003007087-0004		5/2016
CN	304464173	1/2018	EM	003326644-0001		8/2016
CN	304479189	1/2018	EM	003326669-0001		8/2016
CN	304479190	1/2018	EM	003472091-0006		11/2016
CN	304490572	2/2018	EM	003472091-0007		11/2016
CN	304490601	2/2018	EM	003472091-0023		11/2016
CN	304491164	2/2018	EM	003832625-0001		4/2017
CN	304492050	2/2018	EM	003832625-0002		4/2017
CN	304501310	2/2018	EM	003860204-0001		4/2017
CN	304501922	2/2018	EM	003860212-0001		4/2017
CN	304508262	2/2018	EM	004127470-0001		8/2017
CN	207306510	U 5/2018	EM	004520138-0001		12/2017
CN	207383540	U 5/2018	EM	004520138-0002		12/2017
CN	304655003	6/2018	EM	004561777-0019		1/2018
CN	108471891	A 8/2018	EM	006147641-0006		2/2019
CN	207886064	U 9/2018	EM	006147641-0007	*	3/2019
CN	208808068	U 5/2019	EM	006156113-0001		4/2019
CN	208851116	U 5/2019	EM	006156113-0002		4/2019
CN	305169875	5/2019	EM	006156113-0003		4/2019
CN	305169876	5/2019	EM	006156113-0004		4/2019
CN	306050638	S 5/2019	EM	006156113-0005		4/2019
CN	209058675	U 7/2019	EM	006156113-0006		4/2019
CN	306008756	S 7/2019	EM	007773791-0001		4/2020
CN	305476920	12/2019	EM	008177422-0001		9/2020
CN	305628850	2/2020	EM	006354742-0002		10/2020
CN	305648489	S 3/2020	EM	008317929-0001		12/2020
CN	305658999	3/2020	EM	008317929-0002		12/2020
CN	210300507	U 4/2020	EM	008317929-0003		12/2020
CN	305676247	4/2020	EM	008317929-0004		12/2020
CN	305740106	4/2020	EM	008317929-0005		12/2020
CN	111109981	A 5/2020	EM	008317929-0006		12/2020
CN	210643564	U 6/2020	EM	007787692-0001	*	1/2021
CN	305962065	S 8/2020	EM	008484638-0001	*	11/2021
CN	305978193	S 8/2020	EP	0717949	B1	4/2002
			EP	2432349	A1	3/2012
			EP	2432349	B1	4/2013
			EP	3367850	A1	9/2018
			EP	3537936	A1	9/2019
			GB	2129117	A	5/1984

(56)

## References Cited

## FOREIGN PATENT DOCUMENTS

GB	2354579	A	3/2001
GB	3022368		1/2006
GB	6041423	*	8/2018
GB	6109996		12/2020
GB	6109997		12/2020
GB	6109998		12/2020
GB	6109999		12/2020
GB	6110000		12/2020
GB	6110001		12/2020
GB	9008317929-0001		12/2020
GB	9008317929-0002		12/2020
GB	9008317929-0003		12/2020
GB	9008317929-0004		12/2020
GB	9008317929-0005		12/2020
GB	9008317929-0006		12/2020
IL	25732	A	1/1998
IN	280990-0001	*	3/2017
IN	314458-001-0001		11/2019
IN	314443-001-0001		12/2020
IN	314442-001-0001		3/2022
JP	H07313383	A	12/1995
JP	H11164784	A	6/1999
JP	H11221667	A	8/1999
JP	2011219125	A	11/2011
JP	2011219126	A	11/2011
JP	D1507225		9/2014
JP	2017124307	A	7/2017
JP	D1634137		6/2019
JP	D1675520		1/2021
JP	1680040	S	3/2021
JP	D1680040	*	3/2021
KR	20060009969	A	2/2006
KR	300779301		1/2015
KR	300884682.0000	*	12/2016
KR	300953895.0000		4/2018
KR	20190001250	A	1/2019
KR	301042715.0000	*	1/2020
KR	301045998		2/2020
KR	301045998.00000		2/2020
KR	301045998.0000	*	2/2020
KR	3010460890002	*	2/2020
KR	301058038		5/2020
KR	301077462.0000		10/2020
KR	301077816.0000		10/2020
KR	3010887860001		12/2020
KR	3010887860002		12/2020
KR	3010887860003		12/2020
KR	301100973.0000		3/2021
RU	00119715	U1	5/2020
WO	0162614	A1	8/2001
WO	2006048119	A1	5/2006
WO	2007087185	A2	8/2007
WO	2008021523	A2	2/2008
WO	2008121942	A2	10/2008
WO	2011022857	A2	3/2011
WO	2012031994	A1	3/2012
WO	2012064184	A1	5/2012
WO	2012107861	A2	8/2012
WO	2013163725	A1	11/2013
WO	2014040211	A1	3/2014
WO	2016204623	A1	12/2016
WO	2017075482	A1	5/2017
WO	2018089525	A1	5/2018
WO	2020047730	A1	3/2020
WO	202086567	A1	4/2020

## OTHER PUBLICATIONS

Yeti(Mug) [online] URL: <https://www.amazon.com/YETI-Rambler-Stainless-Vacuum-Insulated/dp/B074W99X7X?th=1> (site visited:Feb. 11, 2022) (Year: 2017).\*

Yeti(Tumbler) [online] URL: <https://www.amazon.com/YETI-Rambler-Stainless-Insulated-Tumbler/dp/B06WVJ8VRP/> (site visited:Feb. 11, 2022) (Year: 2017).\*

Stanley [online] URL: <https://www.youtube.com/watch?v=SgDWWyUflbo> (site visited:Feb. 11, 2022) (Year: 2020).\*

Sursip [online] URL: <https://www.amazon.com/Sursip-Stainless-Tumbler-Double-Insulated/dp/B0919XFLGP/> (site visited:Feb. 11, 2022) (Year: 2021).\*

Yeti [online] URL: <https://www.amazon.com/YETI-Rambler-Stainless-Insulated-Stronghold/dp/B098YV2WMP/> (site visited:Feb. 11, 2022) (Year: 2021).\*

Reduce HOT1 [online] URL: <https://www.picknsave.com/p/reduce-hot1-travel-mug/0084281511960> (site visited:Feb. 11, 2022) (Year: 2022).\*

Polar [online] URL: <https://www.amazon.com/Personalized-Tumblers-Insulated-Stainless-Customized/dp/B08XT7RC9M> (site visited: May 25, 2022) (Year: 2021).\*

Swig [online] URL: <https://www.swignsweets.com/product/44-oz-handle-tumbler/> (site visited: May 25, 2022) (Year: 2022).\*

“Block C Over Cornell Stainless Tumbler with Handle 20 oz”; The Cornell Store; retrieved Sep. 24, 2019; disclosure date unknown but prior to the filing date of the present application; URL: <https://www.cornellstore.com/Block-C-Over-Cornell-Stainless-Tumbler-With-Handle-20-Oz.>

“The Grapplr Yeti Cup Handle”; The Grapplr; retrieved Sep. 24, 2019; disclosure date unknown but prior to the filing date of the present application; URL: <http://thegrapplr.com/>.

“Mossy Oak Stainless Steel Tumbler Handle”; Pinshape; retrieved Sep. 24, 2019; disclosure date unknown but prior to the filing date of the present application; URL: <https://pinshape.com/items/37037-3d-printed-mossy-oak-stainless-steel-tumbler-handle>.

“ONEB Car Cup Travel Mug 450ml with handle Stainless Steel Coffee Insulated Milk”; Coffee-Mug; retrieved Sep. 24, 2019; disclosure date unknown but prior to the filing date of the present application; URL: [https://mugs.coffee-mug.org/oneb-car-cup-travel-mug-450ml-with-handle.html?product\\_id=YIFpDgnD\\_VD3Ew](https://mugs.coffee-mug.org/oneb-car-cup-travel-mug-450ml-with-handle.html?product_id=YIFpDgnD_VD3Ew).

“White Polymer Travel Mug”; Coola Products; retrieved Sep. 24, 2019; disclosure date unknown but prior to the filing date of the present application; URL: <https://www.coola-products.com/white-polymer-travel-mug>.

“Ozark Trail 12 OZ Stainless Steel Coffee Mugs 4 Pack”; Amazon; retrieved Sep. 24, 2019; disclosure date unknown but prior to the filing date of the present application; URL: [https://www.amazon.com/Ozark-Trail-Stainless-Steel-Coffee/dp/B07MQ1BZGP/ref=asc\\_df\\_B07MQ1BZGP/?tag=bingshoppinga-20&linkCode=df0&hvadid={creative}&hvpos={adposition}&hvnetw=o&hvrand={random}&hvpone=&hvptwo=&hvqmt=e&hvdev=c&hvdvcmdl={devicemodel}&hvlocint=&hvlocphy=&hvtargid=pla-4583451664950027&psc=1](https://www.amazon.com/Ozark-Trail-Stainless-Steel-Coffee/dp/B07MQ1BZGP/ref=asc_df_B07MQ1BZGP/?tag=bingshoppinga-20&linkCode=df0&hvadid={creative}&hvpos={adposition}&hvnetw=o&hvrand={random}&hvpone=&hvptwo=&hvqmt=e&hvdev=c&hvdvcmdl={devicemodel}&hvlocint=&hvlocphy=&hvtargid=pla-4583451664950027&psc=1).

“Travel Coffee Cup, Polar Cap”; RTIC; retrieved Sep. 24, 2019; disclosure date unknown but prior to the filing date of the present application; URL: <https://www.rticcoolers.com/shop/drinkware/tumblers/Travel-Coffee-Cup-Polar-Cap>.

United States District Court Western District of Texas Austin Division, “Complaint,” *Yeti Coolers, LLC v. ContextLogic, Inc.* d/b/a Wish.com, Case: 1:17-cv-00937, Document #1, filed Sep. 28, 2017, 238 pages.

United States District Court Western District of Texas Austin Division, “Complaint,” *Yeti Coolers, LLC v. Dunhuang Group, SZ Flowerfairy Technology Co., Ltd., Tan Er Pa Technology Co., Ltd., Shenzhen Great Electronic Technology Co., Ltd., and Huagong Trading Co.*, Case: 1:17-cv-00938, Document #1, filed Sep. 28, 2017, 272 pages.

United States District Court Western District of Texas Austin Division, “Defendant Takeya USA Corporation’s Memorandum in Support of Rule 12(b)(6) Motion to Dismiss,” *Yeti Coolers, LLC v. Home Depot U.S.A., Inc., Takeya USA Corporation*, Case: 1:17-cv-00342, Document #12, filed May 25, 2017, 34 pages.

United States District Court Western District of Texas Austin Division, “Defendant Kelly Scoggins d/b/a King Engraving’s Memorandum in Support of Rule 12(b)(6) Motion to Dismiss and Motion to Take Judicial Notice,” *Yeti Coolers, LLC v. JDS Industries, Inc., Lionel Landry Jr., d/b/a Accolades d/b/a Accolades Awards & Engraving, Creative and Fast LLC d/b/a Promotional Products San Antonio, Kelly Scoggins d/b/a King Engraving*, Case: 1:17-cv-00424-RP, Document #65, filed Aug. 11, 2017, 28 pages.



(56)

## References Cited

## OTHER PUBLICATIONS

United States District Court Western District of Texas Austin Division, “Complaint,” *Yeti Coolers, LLC v. Wal-Mart Stores, Inc.*, Case: 1:17-cv-01145, Document #1, filed Dec. 8, 2017, 98 pages.

United States District Court Western District of Texas Austin Division, “Complaint,” *Yeti Coolers, LLC v. Ad-N-Art Inc. (CA) d/b/a Asobu, and Ad-N-Art Inc. (US) d/b/a Asobu*, Case: 1:18-cv-00514, Document #1, filed Jun. 20, 2018, 26 pages.

United States District Court Western District of Texas Austin Division, “Complaint,” *Yeti Coolers, LLC v. Hogg Outfitters, LLC*, Case: 1:18-cv-00512, Document #1, filed Jun. 20, 2018, 26 pages.

United States District Court Western District of Texas Austin Division, “Complaint,” *Yeti Coolers, LLC v. Lighters Management, Inc. d/b/a Visol Products d/b/a Visol d/b/a eflasks.com*, Case: 1:18-cv-00513, Document #1, filed Jun. 20, 2018, 25 pages.

Green Steel 20oz Beast Tumbler [online], [retrieved Jul. 26, 2018], Retrieved from the Internet, URL: <[https://www.amazon.com/dp/B074L7M8DT/ref=twster\\_B01DQNHFCs?\\_encoding=UTF8&th=1](https://www.amazon.com/dp/B074L7M8DT/ref=twster_B01DQNHFCs?_encoding=UTF8&th=1)>; 9 sheets, published Apr. 2, 2016.

Green Steel 30oz Beast Tumbler [online], [retrieved Jul. 26, 2018], Retrieved from the Internet, URL: <https://www.amazon.com/gp/product/b01n2iyxtg> <<https://www.amazon.com/gp/product/b01n2iyxtg>>; 9 sheets, published date unknown, but for purposes of patent prosecution presumably more than a year prior to the filing date of the present application.

United States District Court Western District of Texas Austin Division, “Complaint,” *Yeti Coolers, LLC v. 99 Cents Only Stores, LLC and 99 Cents Only Stores Texas, Inc.*, Case: 1:18-cv-00799, Document #1, filed Sep. 18, 2018, 102 pages.

“Fine Ceramics: Harder Than Stainless Steel”, Characteristics of Fine Ceramics, Physical-Hardness, Fine Ceramics World (2009). Jun. 5, 2019—(CN) Office Action—App. No. 201780029765.X.

“Bubba Classic Insulated Travel Mug, 20 Ounce”; Walmart; retrieved Oct. 17, 2019; disclosure date unknown but prior to the filing date of the present application; URL: <<https://www.walmart.com/ip/Bubba-Classic-Insulated-Travel-Mug-20-Ounce/51636951>>.

“Cold-1 Thermal Mug 40oz”; Walmart; retrieved Oct. 17, 2019; FALSE disclosure date unknown but prior to the filing date of the present application; URL: <<https://www.walmart.com/ip/Cold-1-Thermal-Mug-40oz/880572762>>.

“Thermos Stainless King 16 Ounce Travel Mug with Handle, Midnight Blue”; Amazon; retrieved Oct. 17, 2019; published Sep. 22, 2009; URL: <<https://www.amazon.com/Thermos-Stainless-Travel-Handle-Midnight/dp/B002PY7AYI>>.

“Bubba Classic Insulated Travel Mug with Handle, 34 oz., Black”; Amazon; retrieved Oct. 17, 2019; published Jul. 26, 2010; URL: <<https://www.amazon.com/Bubba-Classic-Insulated-Travel-Handle/dp/B01DGMGBG5Q/?tag=gatheringgrounds&bm=20>>.

Promotional Items, Inc., “Stainless Steel 14oz. Deluxe Coffee Insulated Tumbler Lid”, retrieved from <[http://www.promotional-items-inc.com/catalog/stainless\\_steel\\_18oz\\_commuter\\_coffee\\_mug\\_lid.html](http://www.promotional-items-inc.com/catalog/stainless_steel_18oz_commuter_coffee_mug_lid.html)> on Aug. 27, 2015.

The Product Farm, “BeerNStein Rocks Tumbler Lid—Blue”, retrieved from <<http://store.theproductfarm.com/beerstein-rocks-tumbler-lid-blue/>> on Aug. 27, 2015.

Hit Promotional Products, “24 Oz. Biggie Tumbler with Lid”, retrieved from <<http://www.hitpromo.net/product/show/5853/24-oz-biggie-tumbler-with-lid>> on Aug. 27, 2015.

The Alexon Group, “16 Oz. Stainless Steel Travel Mug with Slide Action Lid and Plastic Inner Liner”, retrieved from <<https://alexongroup.com/16-oz-stainless-steel-travel-mug-with-slide-action-lid-and-plastic-inner-liner>> on Aug. 27, 2015.

“New 16oz Insulated Coffee Travel Mug Stainless Steel Double Wall Thermos Tumbler”, retrieved from <<http://www.ebay.com/itm/New-16oz-Insulated-COFFEE-TRAVEL-MUG-Stainless-Steel-Double-Wall-Thermos-Tumbler-/171416296921>> on Aug. 27, 2015.

“Stainless Steel Travel Mug with Slide Action Lid and Plastic Inner Liner—16oz.”, retrieved from <<http://waterbottles.com/stainless-steel-travel-mug-with-slide-action-lid-and-plastic-inner-liner-16-oz/>> on Aug. 27, 2015.

Vat19, “16 oz. Dual Auto/USB Heated Mug”, retrieved from <<https://www.vat19.com/item/16-oz-dual-auto-usb-heater-coffee-mug>> on Aug. 27, 2015.

Timolino, “Signature Thermal Travel Mug Slide—Tab Lid”, retrieved from <<http://timolino.com/products/signature-thermal-travel-mug-slide-tab-lid>> on Aug. 27, 2015.

Eshine Industrial & Maoyuan International, “400ml Double Wall Stainless Steel Travel Mug with Sliding Drink Lid”, retrieved from <<http://www.chinawaterbottle.com/product/400ml-double-wall-stainless-steel-travel-mug-with-sliding-drink-lid-77-520.html>> on Aug. 27, 2015.

Photo USA Electronic Graphic Inc., “17fl oz Personalised Travel Mug (Plastic Insert and Metal Shell, Reverse Screw)”, retrieved from <<http://www.meikeda.com/stainless-steel-mug/item/15-oz-personalised-travel-mug.html>> on Aug. 27, 2015.

Promo Industrial Co., Limited, “16 Oz. Blue Bullet Travel Mug W/ Handle”, retrieved from <[http://www.oempromo.com/Bottle-cup-and-mug/Mugs/index\\_73.htm](http://www.oempromo.com/Bottle-cup-and-mug/Mugs/index_73.htm)> on Aug. 27, 2015.

Gold Bond Inc., “16CT—16 oz Cafe Tumbler”, retrieved from <<http://www.goldbondinc.com/16ct>> on Aug. 27, 2015.

“Yeti Rambler 20 and 30 oz”, published on Apr. 19, 2014, retrieved from <https://web.archive.org/web/20140419041951/http://yeticoolers.com/rambler-tumblers/> on Sep. 2, 2015.

Alexander, Emmet, “Removable Bicycle Cup Holder by Bookman”, posted Mar. 23, 2014 online, retrieved Jun. 6, 2016 from Internet, URL: <http://coolmensgear.com/removable-bicycle-cup-holder/>.

“Meyers California Rainbow Mug With Removable Wood Metal Handle”, retrieved from Internet on Jun. 6, 2016; URL: <https://www.pinterest.com/pin/148618856430252325/>.

“Tervis Tumbler Black 24 Oz. Handle”, retrieved from Internet Jun. 6, 2016; URL: <http://www.amazon.com/Tervis-Tumbler-Black-24oz-Handle/dp/B004VVHORG>.

Purdum, Sandra, “Mug or Tumbler Metal Handles Spare Parts”, retrieved from Internet Jun. 6, 2016; URL: [https://www.etsy.com/...r-tumbler-metalhandles-spare-parts?ga\\_order=most\\_relevant&ga\\_search\\_type=all&ga\\_view\\_type=gallery&ga\\_search\\_query=metal%20handled%20mugs&ref=sr\\_gallery\\_8](https://www.etsy.com/...r-tumbler-metalhandles-spare-parts?ga_order=most_relevant&ga_search_type=all&ga_view_type=gallery&ga_search_query=metal%20handled%20mugs&ref=sr_gallery_8).

“Red Removable Handle 16-OZ. Travel Tumbler”, retrieved from Internet Jun. 6, 2016, URL: <http://www.zulily.com/p/red-removable-handle-16-oz-travel-tumbler-120715-7353259.html>.

Dec. 14, 2016 (PCT) International Search Report and Written Opinion—App PCT/US2016/055491.

May 10, 2017—U.S. Office Action—U.S. Appl. No. 15/183,427.

May 24, 2017—(WO) International Search Report and Written Opinion—App. No. PCT/US2017/022315—16 pages.

“Osulloc Green Cup”, retrieved from [http://www.edaymall.com/display/goods.do?media\\_code=E06&goods\\_code=10183708](http://www.edaymall.com/display/goods.do?media_code=E06&goods_code=10183708) on Sep. 6, 2016.

United States District Court Western District of Texas Austin Division, “Complaint,” *Yeti Coolers, LLC v. Gourmet Home Products, LLC*, Case: 1:17-cv-00533, Document #1, filed Jun. 2, 2017, 25 pages.

United States District Court Western District of Texas Austin Division, “Complaint,” *Yeti Coolers, LLC v. Godinger Silver Art, Ltd., Cathy’s Concepts, Inc., Viatek Consumer Products Group, Inc.*, Case: 1:17-cv-00467, Document #1, filed May 16, 2017, 22 pages.

United States District Court Western District of Texas Austin Division, “Complaint,” *Yeti Coolers, LLC v. Bayou Ice Boxes, Inc.*, Case: 1:17-cv-00261, Document #1, filed Mar. 24, 2017, 41 pages.

United States District Court Western District of Texas Austin Division, “Complaint,” *Yeti Coolers, LLC v. Vickery Products, LLC d/b/a Axis Cups, f/d/b/a Frio Cups*, Case: 1:17-cv-00260, Document #1, filed Mar. 24, 2017, 52 pages.

United States District Court Western District of Texas Austin Division, “Complaint,” *Yeti Coolers, LLC v. Wadley Holdings, LLC d/b/a Meadowcraft, and Southern Sales & Marketing Group, Inc. d/b/a nICE*, Case 1:17-cv-00421, Document 1, filed May 5, 2017, 121 pages.

United States District Court Western District of Texas Austin Division, “Complaint,” *Yeti Coolers, LLC v. JDS Industries, Inc., Lionel Laundry Jr., d/b/a Accolades Awards & Engraving, Creating and Fast LLC d/b/a Promotional Products San Antonio, Kelly*

(56)

## References Cited

## OTHER PUBLICATIONS

*Scoggins d/b/a King Engraving, Jamey Z. Apps d/b/a Roberts Trophies, and Eagle Media, Inc.*, Case 1:17-cv-00424, Document 1, filed May 5, 2017, 62 pages.

United States District Court Western District of Texas Austin Division, “Complaint,” *Yeti Coolers, LLC v. Glacier Coolers, LLC, and Tecomate Holdings, LLC*, Case 1:17-cv-00586, Document 1, filed Jun. 15, 2017, 161 pages.

United States District Court Western District of Texas Austin Division, “Complaint,” *Yeti Coolers, LLC v. Gametime Sidekicks, LLC*, Case 1:17-cv-00413, Document 1, filed May 5, 2017, 107 pages.

United States District Court Western District of Texas Austin Division, “Complaint,” *Yeti Coolers, LLC v. Kodiak Coolers, LLC and Flexible Automation LLC*, Case 1:17-cv-00422, Document 1, filed May 5, 2017, 51 pages.

Oct. 18, 2016—(JP) Office Action—App 2016-004374—English trans.

United States District Court Western District of Texas Austin Division, “Complaint,” *Yeti Coolers, LLC v. Benner China and Glassware Florida, Inc.*, Case: 1:16-cv-00142-RP, Document #1, filed Feb. 16, 2016, 21 pages.

United States District Court Western District of Texas Austin Division, “Complaint,” *Yeti Coolers, LLC v. Blackbird Products Group, LLC, d/b/a Mammoth Coolers*, Case: 1:15-cv-01105, Document #1, filed Dec. 7, 2015, 266 pages.

United States District Court Western District of Texas Austin Division, “Defendant Blackbird Products Group, LLC’s Answer and Affirmative Defenses to Plaintiff Yeti Coolers, LLC’s Complaint,” *Yeti Coolers, LLC v. Blackbird Products Group, LLC, d/b/a Mammoth Coolers*, Case: 1:15-cv-01105-SS, Document #13, filed Dec. 28, 2015, 11 pages.

United States District Court Western District of Texas Austin Division, “Order,” *Yeti Coolers, LLC v. Blackbird Products Group, LLC, d/b/a Mammoth Coolers*, Case: 1:15-cv-01105-RP, Document #26, filed Apr. 20, 2016, 1 page.

United States District Court Western District of Texas Austin Division, “Complaint,” *Yeti Coolers, LLC v. The Boelter Companies, Inc., Boelter Brands, LLC and Boelter Beverage, LLC*, Case: 1:16-cv-00456, Document #1, filed Apr. 8, 2016, 20 pages.

United States District Court Western District of Texas Austin Division, “Defendants’ Answer to Complaint,” *Yeti Coolers, LLC v. The Boelter Companies, Inc., Boelter Brands, LLC and Boelter Beverage, LLC*, Case: 1:16-cv-00456-RP, Document #21, filed Jun. 7, 2016, 9 pages.

United States District Court Western District of Texas Austin Division, “Consent Judgment,” *Yeti Coolers, LLC v. The Boelter Companies, Inc., Boelter Brands, LLC and Boelter Beverage, LLC*, Case: 1:16-cv-00456-RP, Document #25, filed Sep. 13, 2016, 3 pages.

United States District Court Western District of Texas Austin Division, “Complaint,” *Yeti Coolers, LLC v. Jennifer Leverage Bootz Evans d/b/a Bling and Burlap Buy In’s and Blanks*, Case: 1:15-cv-00995, Document #1, filed Nov. 2, 2015, 128 pages.

United States District Court Western District of Texas Austin Division, “Order,” *Yeti Coolers, LLC v. Jennifer Leverage Bootz Evans d/b/a Bling and Burlap Buy In’s and Blanks*, Case: 1:15-cv-00995-RP, Document #18, filed Apr. 18, 2016, 1 page.

United States District Court Western District of Texas Austin Division, “Defendant Kaiser Group Inc.’s Answer, Affirmative Defenses, and Counterclaims to Plaintiff Yeti Coolers, LLC’s Complaint,” *Yeti Coolers, LLC v. Kaiser Group Inc., d/b/a Thermo Steel, d/b/a Vino2Go, d/b/a Brew2GO*, Case: 1:15-cv-00725-RP, Document #14, filed Oct. 13, 2015, 65 pages.

United States District Court Western District of Texas Austin Division, “Complaint,” *Yeti Coolers, LLC v. Great American Products, Ltd.*, Case: 1:15-cv-00686, Document #1, filed Aug. 6, 2015, 20 pages.

United States District Court Western District of Texas Austin Division, “Order,” *Yeti Coolers, LLC v. Great American Products, Ltd.*, Case: 1:15-cv-00686-RP, Document #25, filed Mar. 14, 2016, 1 page.

United States District Court Western District of Texas Austin Division, “Complaint,” *Yeti Coolers, LLC v. Home Depot U.S.A., Inc., Takeya USA Corporation*, Case: 1:17-cv-00342, Document #1, filed Apr. 12, 2017, 24 pages.

United States District Court Western District of Texas Austin Division, “Complaint,” *Yeti Coolers, LLC v. Ideastage Promotions, LLC, d/b/a Swag Brokers*, Case: 1:15-cv-00774, Document #1, filed Sep. 2, 2015, 22 pages.

United States District Court Western District of Texas, Austin Division, “Complaint for Damages and Injunctive Relief”, *Yeti Coolers, LLC v. Hooked Coolers, Inc.*, Case 1:21-cv-00633, Document 1, filed Jul. 16, 2021, 28 pages.

United States District Court Western District of Texas Austin Division, “Order,” *Yeti Coolers, LLC v. Ideastage Promotions, LLC, d/b/a Swag Brokers*, Case: 1:15-cv-00774-RP, Document #19, filed Dec. 21, 2015, 1 page.

United States District Court Western District of Texas Austin Division, “Complaint,” *Yeti Coolers, LLC v. Imagen Brands, LLC, d/b/a Crown Products, and Ebsco Industries, Inc.*, Case: 1:16-cv-00578-RP, Document #1, filed May 16, 2016, 20 pages.

United States District Court Western District of Texas Austin Division, “Complaint,” *Yeti Coolers, LLC v. Kaiser Group Inc., d/b/a Thermo Steel, d/b/a Vino2GO, d/b/a Brew2Go*, Case: 1:15-cv-00725, Document #1, filed Aug. 19, 2015, 21 pages.

United States District Court Western District of Texas Austin Division, “Complaint,” *Yeti Coolers, LLC v. Kuer Outdoors, LLC*, Case: 1:16-cv-00631, Document #1, filed May 27, 2016, 89 pages.

United States District Court Western District of Texas Austin Division, “Complaint,” *Yeti Coolers, LLC v. Magnum Solace LLC*, Case: 1:16-cv-00663-RP, Document #1, filed Jun. 7, 2016, 24 pages.

United States District Court Western District of Texas Austin Division, “Defendant’s Rule 12(B)(6) Motion to Dismiss For Failure to State a Claim,” *Yeti Coolers, LLC v. Magnum Solace LLC*, Case: 1:16-cv-00663-RP, Document #10, filed Aug. 5, 2016, 30 pages.

United States District Court Western District of Texas Austin Division, “Defendant’s Answer,” *Yeti Coolers, LLC v. Magnum Solace LLC*, Case: 1:16-cv-00663-RP, Document #34, filed Apr. 13, 2017, 7 pages.

United States District Court Western District of Texas Austin Division, “Defendant’s Answer to Plaintiff’s Complaint and Affirmative Defenses,” *Yeti Coolers, LLC v. MyCrew, LLC, MyCrew Drinkware, LLC and NNRiverLife, LLC*, Case: 1:16-cv-01008-RP, Document #14, filed Nov. 29, 2016, 12 pages.

United States District Court Western District of Texas Austin Division, “Complaint,” *Yeti Coolers, LLC v. MyCrew, LLC, MyCrew Drinkware, LLC and NNRiverLife, LLC*, Case: 1:16-cv-01008, Document #1, filed Aug. 26, 2016, 29 pages.

United States District Court Western District of Texas Austin Division, “Plaintiff Yeti Coolers, LLC’s Original Complaint,” *Yeti Coolers, LLC v. Ontel Products Corporation and World Pack USA, LLC*, Case: 1:17-cv-00091-RP, Document #1, filed Feb. 8, 2017, 65 pages.

United States District Court Western District of Texas Austin Division, “RTIC Drinkware’s First Amended Complaint for Declaratory Judgment,” *RTIC Drinkware, LLC v. Yeti Coolers, LLC*, Case: 1:16-cv-00907-RP, Document #52, filed Nov. 14, 2016, 124 pages.

United States District Court Western District of Texas Austin Division, “Yeti Coolers, LLC’s Answer to RTIC Drinkware’s First Amended Complaint,” *RTIC Drinkware, LLC v. Yeti Coolers, LLC*, Case: 1:16-cv-00907-RP, Document #58, filed Dec. 1, 2016, 15 pages.

United States District Court Western District of Texas Austin Division, “Yeti Coolers, LLC’s Answer to RTIC Drinkware LLC’s Complaint,” *RTIC Drinkware, LLC v. Yeti Coolers, LLC*, Case: 1:16-cv-00907-RP, Document #35, filed Aug. 9, 2016, 27 pages.

United States District Court for the Southern District of Texas Houston Division, “RTIC Drinkware’s Original Complaint for Declara-

(56)

## References Cited

## OTHER PUBLICATIONS

tory Judgment, Damages, and Injunctive Relief,” *RTIC Drinkware, LLC v. Yeti Coolers, LLC*, Case: 4:16-cv-01201, Document #1, filed May 2, 2016, 58 pages.

United States District Court Western District of Texas Austin Division, “Order,” *RTIC Drinkware, LLC v. Yeti Coolers, LLC*, Case: 1:16-cv-00907-RP, Document #47, filed Oct. 13, 2016, 3 pages.

United States District Court Western District of Texas Austin Division, “Yeti Coolers, LLC’s First Amended Complaint,” *Yeti Coolers, LLC v. RTIC Coolers, LLC, RTIC Drinkware, LLC, RTIC Web Services, LLC, Corporate Support & Fulfillment, LLC, John Jacobsen, and James Jacobsen*, Case: 1:16-cv-00264-RP, Document #15, filed May 16, 2016, 110 pages.

United States District Court Western District of Texas Austin Division, “Defendant RTIC Drinkware, LLC, RTIC Web Services, LLC, Corporate Support & Fulfillment, LLC, John Jacobsen, and James Jacobsen’s Answer and Counterclaims to Yeti’s First Amended Complaint for Damages and Injunctive Relief,” *Yeti Coolers, LLC v. RTIC Coolers, LLC, RTIC Drinkware, LLC, RTIC Web Services, LLC, Corporate Support & Fulfillment, LLC; John Jacobsen; and James Jacobsen*, Case: 1:16-cv-00264-RP, Document #25, filed Jun. 13, 2016, 42 pages.

United States District Court Western District of Texas Austin Division, “Complaint,” *Yeti Coolers, LLC v. RTIC Coolers, LLC*, Case: 1:16-cv-00264, Document #1, filed Mar. 2, 2016, 34 pages.

United States District Court Western District of Texas Austin Division, “Yeti Coolers, LLC’s Answer to RTIC Drinkware, LLC’s, RTIC Web Services, LLC’s, Corporate Support & Fulfillment, LLC’s, John Jacobsen’s, and James Jacobsen’s Counterclaims,” *Yeti Coolers, LLC v. RTIC Coolers, LLC, RTIC Drinkware, LLC, RTIC Web Services, LLC, Corporate Support & Fulfillment, LLC, John Jacobsen, and James Jacobsen*, Case: 1:16-cv-00264-RP, Document #31, filed Jul. 7, 2016, 7 pages.

United States District Court Western District of Texas Austin Division, “First Amended Complaint,” *Yeti Coolers, LLC v. Sam’s West, Inc., and Sam’s East, Inc.*, Case: 1:16-cv-00829-RP, Document #32, filed Jan. 9, 2017, 24 pages.

United States District Court Western District of Texas Austin Division, “Defendants Sam’s West, Inc. and Sam’s East, Inc.’s Answer to Complaint,” *Yeti Coolers, LLC v. Sam’s West, Inc., and Sam’s East, Inc.*, Case: 1:16-cv-00829-RP, Document #16, filed Aug. 26, 2016, 11 pages.

United States District Court Western District of Texas Austin Division, “Complaint,” *Yeti Coolers, LLC v. Sam’s West, Inc., and Sam’s East, Inc.*, Case: 1:16-cv-00829, Document#1, Jun. 30, 2016, 21 pages.

United States District Court Western District of Texas Austin Division, “First Amended Complaint,” *Yeti Coolers, LLC v. Sic Products LLC, d/b/a Sic Cups, d/b/a Sic*, Case: 1:16-cv-00117-RP, Document #34, Nov. 21, 2016, 25 pages.

United States District Court Western District of Texas Austin Division, “Sic Products, LLC’s Answer, Affirmative Defenses, and Counterclaims to Plaintiff’s Amended Complaint,” *Yeti Coolers, LLC v. Sic Products LLC, d/b/a Sic Cups, d/b/a Sic*, Case: 1:16-cv-00117-RP, Document #35, Dec. 5, 2016, 81 pages.

United States District Court Western District of Texas Austin Division, “Sic Products, LLC’s Answer, Affirmative Defenses, and Counterclaims to Plaintiff’s Complaint,” *Yeti Coolers, LLC v. Sic Products LLC, d/b/a Sic Cups, d/b/a Sic*, Case: 1:16-cv-00117-RP, Document #14, Jun. 3, 2016, 38 pages.

United States District Court Western District of Texas Austin Division, “Complaint,” *Yeti Coolers, LLC v. Sic Products LLC, d/b/a Sic Cups, d/b/a Sic*, Case: 1:16-cv-00117-RP, Document #1, Feb. 4, 2016, 23 pages.

United States District Court Western District of Texas Austin Division, “Yeti Coolers, LLC’s Answer to SIC Products, LLC Counterclaims,” *Yeti Coolers, LLC v. Sic Products LLC, d/b/a Sic Cups, d/b/a Sic*, Case: 1:16-cv-00117-RP, Document #21, Sep. 29, 2016, 15 pages.

United States District Court Western District of Texas Austin Division, “Yeti Coolers, LLC’s Answer to SIC Products, LLC Counterclaims to YETI Coolers, LLC’s Amended Complaint,” *Yeti Coolers, LLC v. Sic Products LLC, d/b/a Sic Cups, d/b/a Sic*, Case: 1:16-cv-00117-RP, Document #38, Dec. 19, 2016, 20 pages.

United States District Court Western District of Texas Austin Division, “Complaint,” *Yeti Coolers, LLC v. The Allen Company, d/b/a Allen Color Craft*, Case: 1:15-cv-00888-RP, Document #1, Oct. 6, 2015, 24 pages.

United States District Court Western District of Texas Austin Division, “Complaint,” *Yeti Coolers, LLC v. Titan Custom Products, Inc.*, Case: 1:15-cv-00775, Document #1, Sep. 2, 2015, 22 pages.

United States District Court Western District of Texas Austin Division, “Answer,” *Yeti Coolers, LLC v. Tree Leaf Marketing, LLC d/b/a Big Frig*, Case: 1:16-cv-00699-RP, Document #11, Oct. 21, 2016, 8 pages.

United States District Court Western District of Texas Austin Division, “Complaint,” *Yeti Coolers, LLC v. Tree Leaf Marketing, LLC d/b/a Big Frig*, Case: 1:16-cv-00699, Document #1, Jun. 17, 2016, 33 pages.

United States District Court Western District of Texas Austin Division, “Complaint,” *Yeti Coolers, LLC v. US Imprints, LLC, d/b/a GOimprints*, Case: 1:15-cv-00773, Document #1, Sep. 2, 2015, 22 pages.

United States District Court Western District of Texas Austin Division, “Order,” *Yeti Coolers, LLC v. US Imprints, LLC, d/b/a GOimprints*, Case: 1:15-cv-00773-RP, Document #23, Apr. 25, 2016, 1 page.

United States District Court Western District of Texas Austin Division, “Veterinary Internet Company, LLC d/b/a VetInternetCo’s Answer to Plaintiffs Complaint,” *Yeti Coolers, LLC v. Polar Pad LLC, d/b/a Polar Drifter, d/b/a Polar Pad, and Veterinary Internet Company, LLC, d/b/a VetInternetCo*, Case: 1:16-cv-00677-RP, Document #11, Aug. 19, 2016, 12 pages.

United States District Court Western District of Texas Austin Division, “Complaint,” *Yeti Coolers, LLC v. Polar Pad LLC, d/b/a Polar Pad Drifter, d/b/a Polar Pad, and Veterinary Internet Company, LLC, d/b/a VetInternetCo*, Case: 1:16-cv-00128, Document #1, Feb. 12, 2016, 24 pages.

United States District Court Western District of Texas Austin Division, “Complaint,” *Yeti Coolers, LLC v. Polar Pad LLC, d/b/a Polar Pad Drifter, d/b/a Polar Pad, and Veterinary Internet Company, LLC, d/b/a VetInternetCo*, Case: 1:16-2-00677, Document #1, Jun. 10, 2016, 25 pages.

United States District Court Western District of Texas Austin Division, “Order,” *Yeti Coolers, LLC v. Polar Pad LLC, d/b/a Polar Pad Drifter, d/b/a Polar Pad, and Veterinary Internet Company, LLC, d/b/a VetInternetCo*, Case: 1:16-cv-00128-RP, Document #17, Jun. 17, 2016, 1 page.

United States District Court Western District of Texas Austin Division, “[Proposed] Order Granting Stipulated Motion to Dismiss Defendant Polar Pad, LLC, Without Prejudice, Pursuant to Fed. R. Civ. P. 21,” *Yeti Coolers, LLC v. Polar Pad LLC, d/b/a Polar Pad Drifter, d/b/a Polar Pad, and Veterinary Internet Company, LLC, d/b/a VetInternetCo*, Case: 1:16-cv-00677-RP, Document #14, Sep. 15, 2016, 1 page.

United States District Court Western District of Texas Austin Division, “Complaint,” *Yeti Coolers, LLC v. Vickery Products, LLC d/b/a Axis Cups, f/d/b/a Frio Cups*, Case: 1:17-cv-00260, Document #1, Mar. 24, 2017, 52 pages.

United States District Court Western District of Texas Austin Division, “First Amended Complaint,” *Yeti Coolers, LLC v. Wal-Mart Stores, Inc. and Olympia Tools International, Inc.*, Case: 1:16-cv-00454-RP, Document #17, May 24, 2016, 26 pages.

United States District Court Western District of Texas Austin Division, “Complaint,” *Yeti Coolers, LLC v. Wal-Mart Stores, Inc.*, Case: 1:16-cv-00454, Document #1, Apr. 8, 2016, 29 pages.

United States District Court Western District of Texas Austin Division, “Olympia Tools International, Inc.’s Answer to Yeti Coolers, LLC’s First Amended Complaint,” *Yeti Coolers, LLC v. Wal-Mart Stores, Inc. and Olympia Tools International, Inc.*, Case: 1:16-cv-00454-RP, Document #28, Jul. 14, 2016, 12 pages.

(56)

## References Cited

## OTHER PUBLICATIONS

United States District Court Western District of Texas Austin Division, “Wal-Mart Stores, Inc.’s Answer to First Amended Complaint,” *Yeti Coolers, LLC v. Wal-Mart Stores, Inc. and Olympia Tools International, Inc.*, Case: 1:16-cv-00454-RP, Document #22, Jun. 7, 2016, 13 pages.

United States District Court Western District of Texas Austin Division, “Plaintiffs’ Complaint for Damages and Injunctive Relief,” *Yeti Coolers, LLC v. Houssam Rabi d/b/a Hoo-Sizzy*, Case 1:17-cv-00418, Document 1, filed May 5, 2017, 84 pages.

United States District Court Western District of Texas Austin Division, “Complaint” *Yeti Coolers, LLC v. Zhejiang Zhuosheng Industry & Trade Co, Ltd., d/b/a Wuyi Zhuosheng Household Metal Products Co., Ltd., d/b/a Yongkang Zhuosheng Metal Products Co., Ltd., d/b/a Zhejiang Zhuosheng Industry & Trade Co, Ltd.*, Case 1:17-cv-00821, Document 1, filed Aug. 23, 2017, 27 pages.

United States District Court Western District of Texas Austin Division, “Second Amended Complaint,” *Yeti Coolers, LLC v. Sam’s West, Inc., and Sam’s East, Inc., and CY Top, Ltd.*, Case: 1:16-cv-00829-RP, Document #51, filed Sep. 22, 2017, 49 pages.

United States District Court Western District of Texas Austin Division, “Complaint,” *Yeti Coolers, LLC v. Bonanza.com, Inc.*, Case: 1:17-cv-00935, Document #1, filed Sep. 28, 2017, 142 pages.

United States District Court Western District of Texas Austin Division, “Complaint,” *Yeti Coolers, LLC v. Alibaba Group Holding Limited, Alibaba (China) Technology Co., Ltd., Alibaba.com Hong Kong Limited, Alibaba.com Singapore E-Commerce Private Limited, Hangzhou Alibaba Advertising Co. Ltd., and Huizhou Dashu Trading Co., Ltd.*, Case: 1:17-cv-00936, Document #1, filed Sep. 28, 2017, 272 pages.

“Camo Keep Hammering Leather Patch Hat”; Cameron Hanes; retrieved Jan. 17, 2020; disclosure date unknown but prior to the filing date of the present application; URL: <http://www.cameronhanes.com/shop/keep-hammering-gear/camo-keep-hammering-leather-patch-hat/>.

“S’well Moss Camo 17-oz. Reusable Water Bottle”; Neiman Marcus; retrieved Jan. 17, 2020; disclosure date unknown but prior to the filing date of the present application; URL: <https://www.neimanmarcus.com/p/swell-moss-camo-17-oz-reusable-water-bottle-prod198110105>.

“Stainless Steel Water Bottle—25oz (Camouflage) by Rock Ridge”; Amazon; retrieved Jan. 17, 2020; published Jan. 16, 2013; URL: [https://www.amazon.com/Rock-Ridge-Stainless-Steel-Bottle/dp/B00B1VHT1K/ref=br\\_lf\\_m\\_e2sps7bbt6yy27\\_img?\\_encoding=UTF8&s=kitchen](https://www.amazon.com/Rock-Ridge-Stainless-Steel-Bottle/dp/B00B1VHT1K/ref=br_lf_m_e2sps7bbt6yy27_img?_encoding=UTF8&s=kitchen).

“Koverz for Jars—#1 Neoprene Mason Jar Collie 16 oz Insulator Sleeve—Choose from 14 Styles!—Vintage Camo”; Amazon; retrieved Jan. 17, 2020; published Jan. 14, 2014; URL: [https://www.amazon.com/Koverz-Neoprene-Bottle-Insulator-Vintage/dp/B01FE5WA9Y/ref=br\\_lf\\_m\\_e2sps7bbt6yy27\\_ttl?\\_encoding=UTF8&s=sporting-goods&th=1](https://www.amazon.com/Koverz-Neoprene-Bottle-Insulator-Vintage/dp/B01FE5WA9Y/ref=br_lf_m_e2sps7bbt6yy27_ttl?_encoding=UTF8&s=sporting-goods&th=1).

“Spoontiques Camouflage Travel Mug, Green”; Amazon; retrieved Jan. 17, 2020; published Mar. 6, 2012; URL: <https://www.amazon.com/Spoontiques-Camouflage-Travel-Mug-Green/dp/B007HPGU96>.

“Wholesale 16oz Camo Travel Tumbler”; Wholesale Mart; retrieved Jan. 17, 2020; disclosure date unknown but prior to the filing date of the present application; URL: <https://www.wholealmart.com/wholesale/16oz-camo-travel-tumbler.html>.

“Lunch Bag Cooler Insulated Ice Chest Soda Beer Camouflage Tote Bag Water Resist”; Walmart; retrieved Jan. 17, 2020; disclosure date unknown but prior to the filing date of the present application; URL: <https://www.walmart.com/ip/Lunch-Bag-Cooler-Insulated-Ice-Chest-Soda-Beer-Camouflage-Tote-Bag-Water-Resist/42449426>.

“Mens Military Tactical Camouflage Camo T Shirt Army Combat New Cotton Hunting”; ebay; retrieved Jan. 17, 2020; disclosure date unknown but prior to the filing date of the present application; URL: <https://www.ebay.com/itm/MENS-MILITARY-TACTICAL-CAMOUFLAGE-CAMO-T-SHIRT-ARMY-COMBAT-NEW-COTTON-HUNTING-/302197669316>.

“Element EX353 Camo Water Bottle”; 365 AirSoft Shop; retrieved Jan. 17, 2020; disclosure date unknown but prior to the filing date of the present application; URL: [www.365airsoftshop.com/](http://www.365airsoftshop.com/).

Tumbler | posted at Amazon.com, posted on Sep. 12, 2018, © 1996-2019 Amazon.com, [online], [site visited Dec. 23, 2019]. Available from Internet, <URL: [https://www.amazon.com/YETI-Rambler-20-Stainless-Steel/dp/B07H9CBM6K/ref=sr\\_1\\_1?keywords=yeti+camo+tumbler&qid=157781477&sr=8-1](https://www.amazon.com/YETI-Rambler-20-Stainless-Steel/dp/B07H9CBM6K/ref=sr_1_1?keywords=yeti+camo+tumbler&qid=157781477&sr=8-1)> (Year: 2018).

Tumbler | posted at thelacecactus.com, no posted date, © 1996-2019 [site visited Dec. 14, 2019]. Available from Internet, <URL: <https://thelacecactus.com/products/camo-tumbler>> (Year: 2019).

United States District Court Western District of Texas, Austin Division, “Complaint,” *Yeti Coolers, LLC v. V-Rose Enterprise, LLC d/b/a Calavera Coolers*, Case 1:20-cv-00086, Document 1, filed Jan. 23, 2020, 40 pages.

United States District Court Western District of Texas, Austin Division, “Complaint,” *Yeti Coolers, LLC v. Green Foundations Ltd., d/b/a Greens Steel*, Case 1:20-cv-00075, Document 1, filed Jan. 22, 2020, 53 pages.

AmBrSoft Materials Density Table (Year: 2014).

Zahner Metal Hardness Chart (Year: 2019).

“Tervis Lids”, retrieved from <http://www.tervis.com/designs/Accessories/Travel-lids/dc0fe00377e0ec722da5bd146541427c#!upc=093597437694&upc=093597240386> on Sep. 10, 2015.

Aladdin, “Recycled & Recyclable Travel Mug—Grey Replacement Lid”, retrieved from <http://www.shopaladdin-pmi.com/product/recycled-recyclable-travel-mug-grey-replacement-lid> on Sep. 10, 2015.

Zak! Designs, “Grip 16 oz Travel Coffee Mug—Sapphire”, retrieved from [http://www.zak.com/planet\\_zak\\_blue\\_stainless\\_steel\\_water\\_bottle\\_0187-5720](http://www.zak.com/planet_zak_blue_stainless_steel_water_bottle_0187-5720) on Sep. 10, 2015.

Promotional Items, Inc., “Stainless Steel 14 oz. Tool Box Travel Mug Lid”, retrieved from [http://www.promotional-items-inc.com/catalog/stainless\\_steel\\_14oz\\_tool\\_box\\_travel\\_mug\\_lid.html](http://www.promotional-items-inc.com/catalog/stainless_steel_14oz_tool_box_travel_mug_lid.html) on Sep. 10, 2015.

“Starbucks® Stainless Steel Logo Tumbler, 16 fl oz”, retrieved from <<http://store.starbucks.com/starbucks-stainless-steel-logo-tumbler-16-fl-oz-011023529.html>> on Nov. 3, 2015.

“Corkcicle Tumbler”, retrieved from <<http://corkcicle.com/pages/tumbler>> on Nov. 3, 2015.

“Tervis Travel Lids”, Tervis.com, captured Nov. 20, 2015, pp. 1.

“Stainless Steel Tumbler”, Starbucks.com, captured Nov. 20, 2015, pp. 1.

“Tumbler”, Corkcicle.com, captured Nov. 20, 2015, pp. 1-2.

Apr. 4, 2017—(PCT) International Search Report and Written Opinion—App PCT/US2016/059514.

Dick’s Sporting Goods. Yeti 10/20 oz. Rambler Mag Slider Lid. Jun. 2017 [earliest online date], [site visited Oct. 26, 2017]. Available from Internet, <URL: <https://www.dicksportinggoods.com/p/yeti-10-20-ozrambler-mag-slider-lid-17yeta1020mgslidr1odlr/17yeta1020mgslidr1odlr>>. (Year: 2017).

Dec. 10, 2018—(AU) Examination Report—App No. 2016343757—MM.

Jan. 16, 2019—(CA)—Examiner’s Report—App 3,003,731.

Jul. 15, 2019—(CN)—First Office Action—App 201680075940.4.

Oct. 7, 2019—(CA) Examiner’s Report—App 3,003,731.

United States District Court Southern District of Texas, Houston Division, “Complaint,” *Yeti Coolers, LLC v. Igloo Products Corporation*, Case 4:21-cv-03203, filed Oct. 1, 2021, 54 pages.

Sep. 10, 2020—(CN) Third Office Action (incl. English Translation)—App. No. 201780029765.X.

Dec. 22, 2021—(JP) Notification of Reason for Provisional Refusal—App. No. 2021-006754.

English translation of Office Action dated Oct. 18, 2016 for JP Application No. 2016-004374, 4 pages.

Apr. 4, 2017—(PCT) Written Opinion and International Search Report App PCT/US2016/059514.

“TM263 16 oz Printed Stainless Steel Travel Mugs with Handle”, Discount Mugs, retrieved Sep. 24, 2019, disclosure date unknown but prior to the filing date of the present application, URL: <<https://www.discountmugs.com/product/tm263-16-oz-printed-stainless-steel-travel-mugs-with-handle/?quantity=>>>.

(56)

**References Cited**

## OTHER PUBLICATIONS

United States District Court Western District of Texas Austin Division, “Plaintiffs’ Complaint for Damages and Injunctive Relief,” *Yeti Coolers, LLC v. Seth Stevens d/b/a SDS Marketing d/b/a Eskimo Coolers, Panther Group LLC d/b/a Eskimo Coolers, Panther Group Sales, LLC d/b/a Eskimo Coolers, and Silver Fox Sales, LLC*, Case 1:17-cv-00423, Document 1, filed May 5, 2017, 283 pages.

United States International Trade Commission of Washington, DC, “Complaint Under Section 337 of the Tariff Act of 1930, as Amended,” *Yeti Coolers, LLC vs. Alibaba (China) Technology Co., Ltd., Alibaba Group Holding Limited, Alibaba.com Hong Kong Limited, Alibaba.com Singapore E-Commerce Private Limited, Bonanza.com, Inc., ContextLogic, Inc. d/b/a Wish, Dunhuang Group, Hangzhou Alibaba Advertising Co. Ltd., Huizhou Dashu Trading Co., Ltd, Huagong Trading Co., and Tan Er Pa Technology Co., Ltd.*, filed Sep. 28, 2017, 191 pages.

“Atlin Tumbler [30 oz. Double Wall Stainless Steel Vacuum Insulation]—Black Travel Mug [Crystal Clear Lid] Water Coffee Cup [Straw + Handle Included] For Home, Office, School, Ice Drink, Hot Beverage”; Amazon; retrieved Oct. 17, 2019; published Jul. 25, 2017; URL: <<https://www.amazon.com/dp/B074XMH3W2/ref>>.

Mar. 16, 2020—(CN) Office Action—App. No. 201780029765.X.

Jun. 7, 2021—(CN) Office Action—App. No. 2021301668853.

Feb. 6, 2020—(WO) International Search Report & Written Opinion—PCT/US19/057420.

Sep. 6, 2021—(WO) Partial International Search—PCT/US2021/030256.

Nov. 2, 2021—(WO) International Search Report & Written Opinion—PCT/US21/030256.

Dec. 16, 2021—(CN) Invalidation Notice against ZL 201630159653.4.

Jan. 30, 2022—(CN) First Office Action—App. No. 201980070432.0.

Mar. 31, 2022—(AU) Examination Report No. 1—App. No. 2019368252.

Apr. 8, 2022—(EP) Article 94(3) EPC Communication—App. No. 19802004.2.

Jun. 22, 2022—(JP) Office Action—App. No. 2021-522098.

Jul. 27, 2022—(CA) Examination Report—App. No. 3122967.

“Rambler 30oz Tumbler”, yeti.com, retrieved Sep. 7, 2022, published date unknown, prior to the filing date of the present Application, URL: <[https://www.yeti.com/drinkware/tumblers/30oz/21070070019.html?country=US&currency=USD&gclid=EAlalQobChMI-4u\\_xJSD-glVDteGChOG3godEAQYASABEgJS9PD\\_BwE&gclidsrc=aw.ds](https://www.yeti.com/drinkware/tumblers/30oz/21070070019.html?country=US&currency=USD&gclid=EAlalQobChMI-4u_xJSD-glVDteGChOG3godEAQYASABEgJS9PD_BwE&gclidsrc=aw.ds)>.

“Rambler 20oz Tumbler”, yeti.com, retrieved Sep. 7, 2022, published date unknown, prior to the filing date of the present Application, URL: <[https://www.yeti.com/drinkware/tumblers/21070060018.html?country=US&currency=USD&gclid=EAlalQobChMIInOKHxpD-glVXPbjBx2yvQrsEAQYASABEglEIPD\\_BwE&gclidsrc=aw.ds](https://www.yeti.com/drinkware/tumblers/21070060018.html?country=US&currency=USD&gclid=EAlalQobChMIInOKHxpD-glVXPbjBx2yvQrsEAQYASABEglEIPD_BwE&gclidsrc=aw.ds)>.

\* cited by examiner

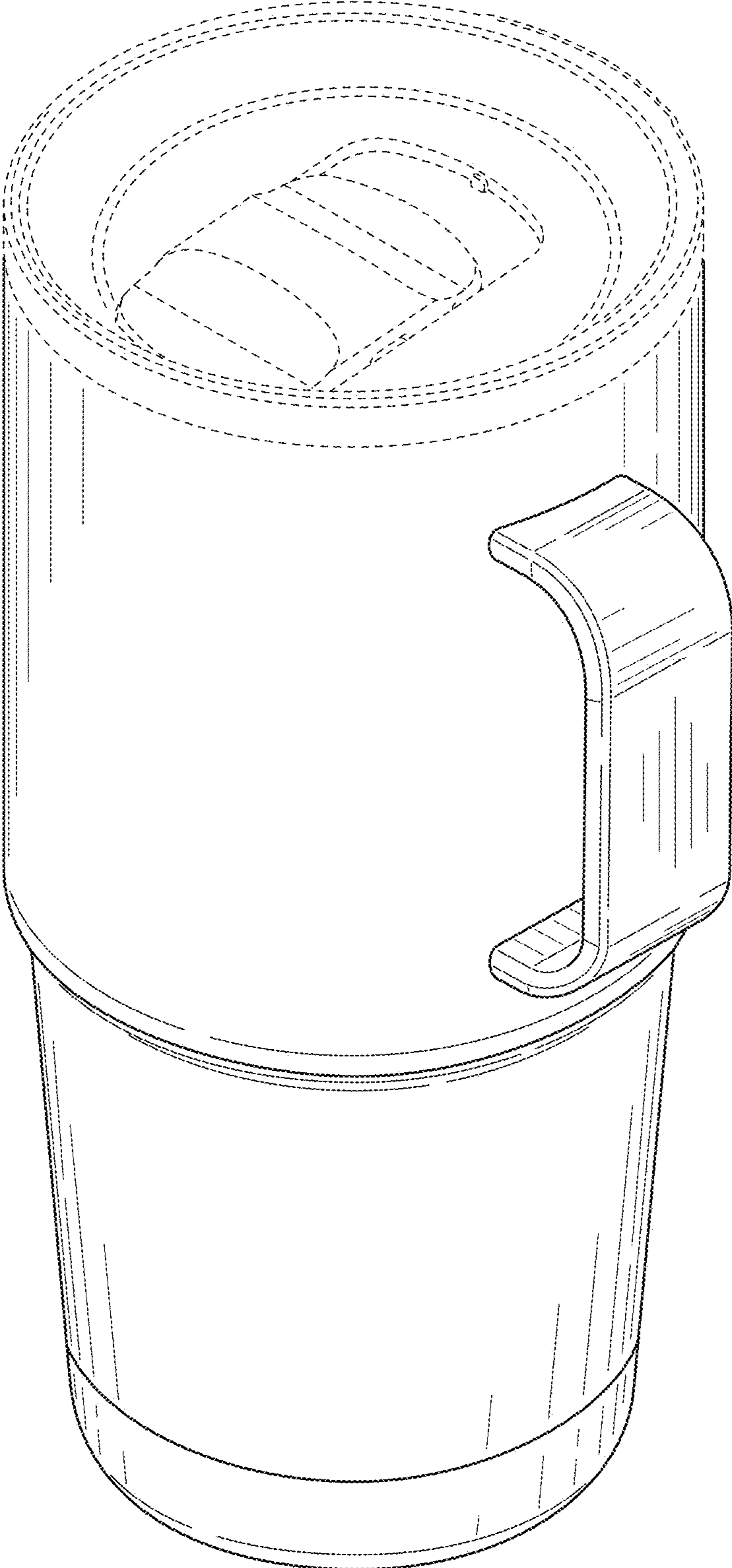


FIG. 1

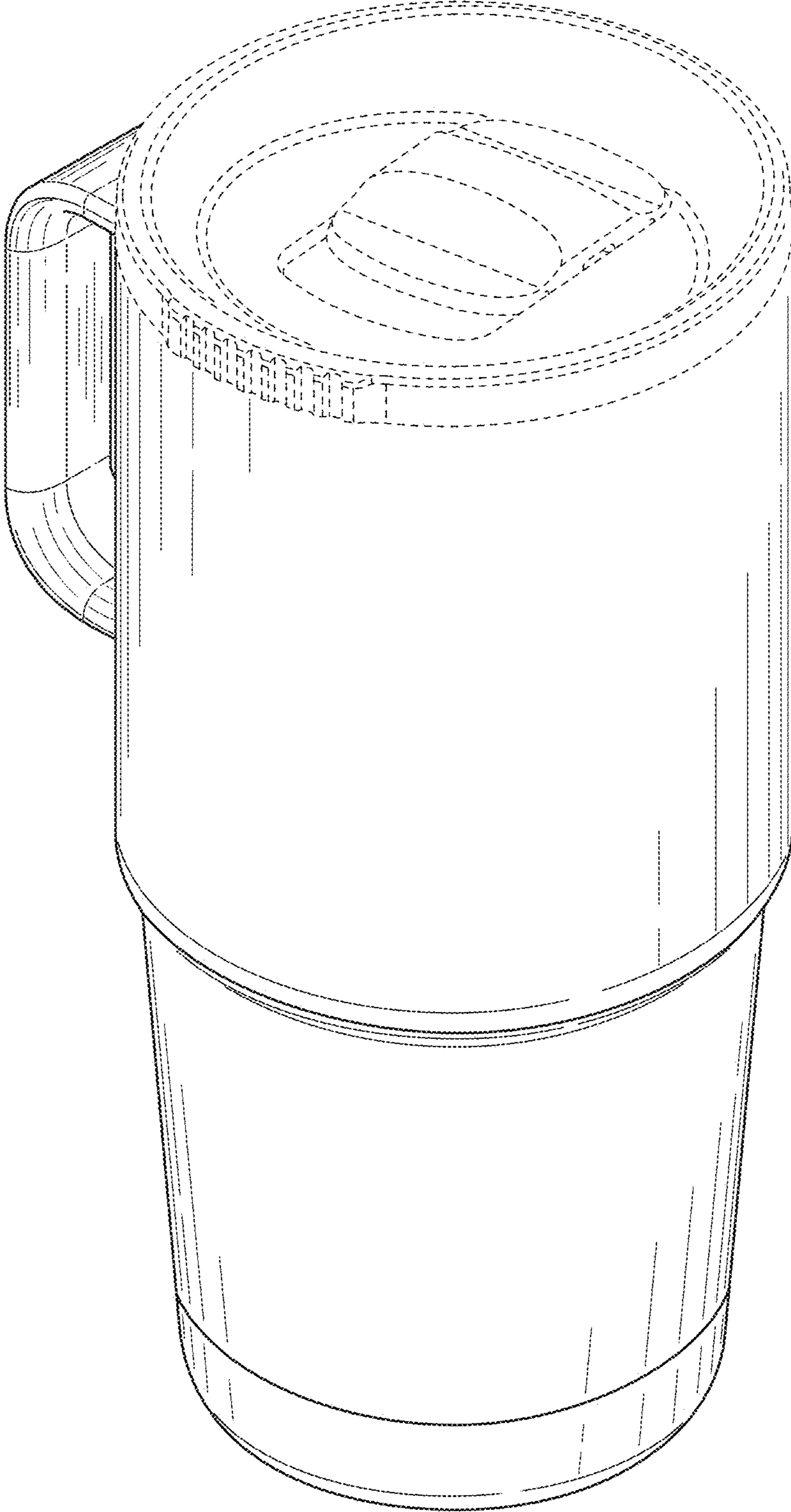


FIG. 2

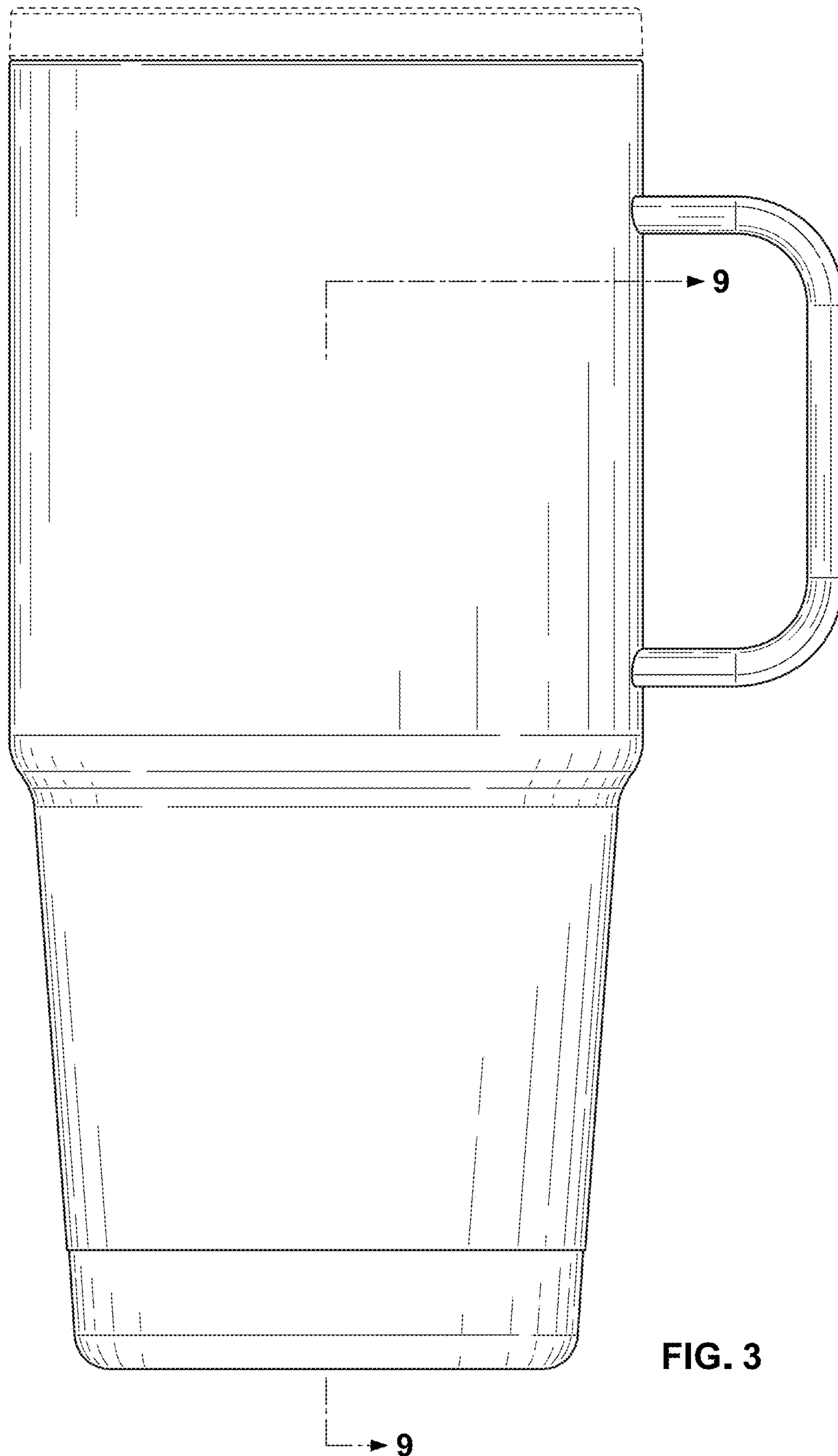


FIG. 3



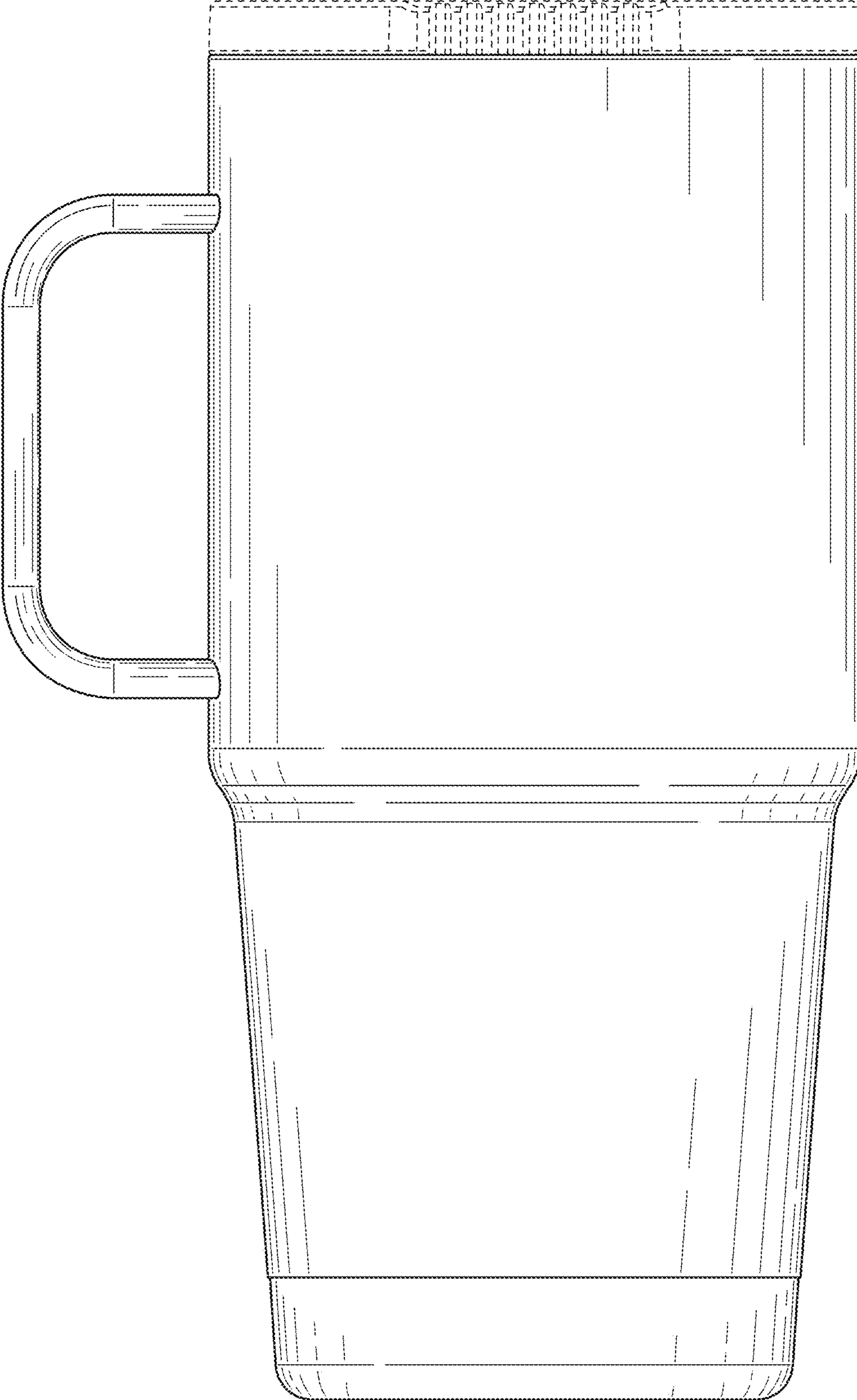


FIG. 4

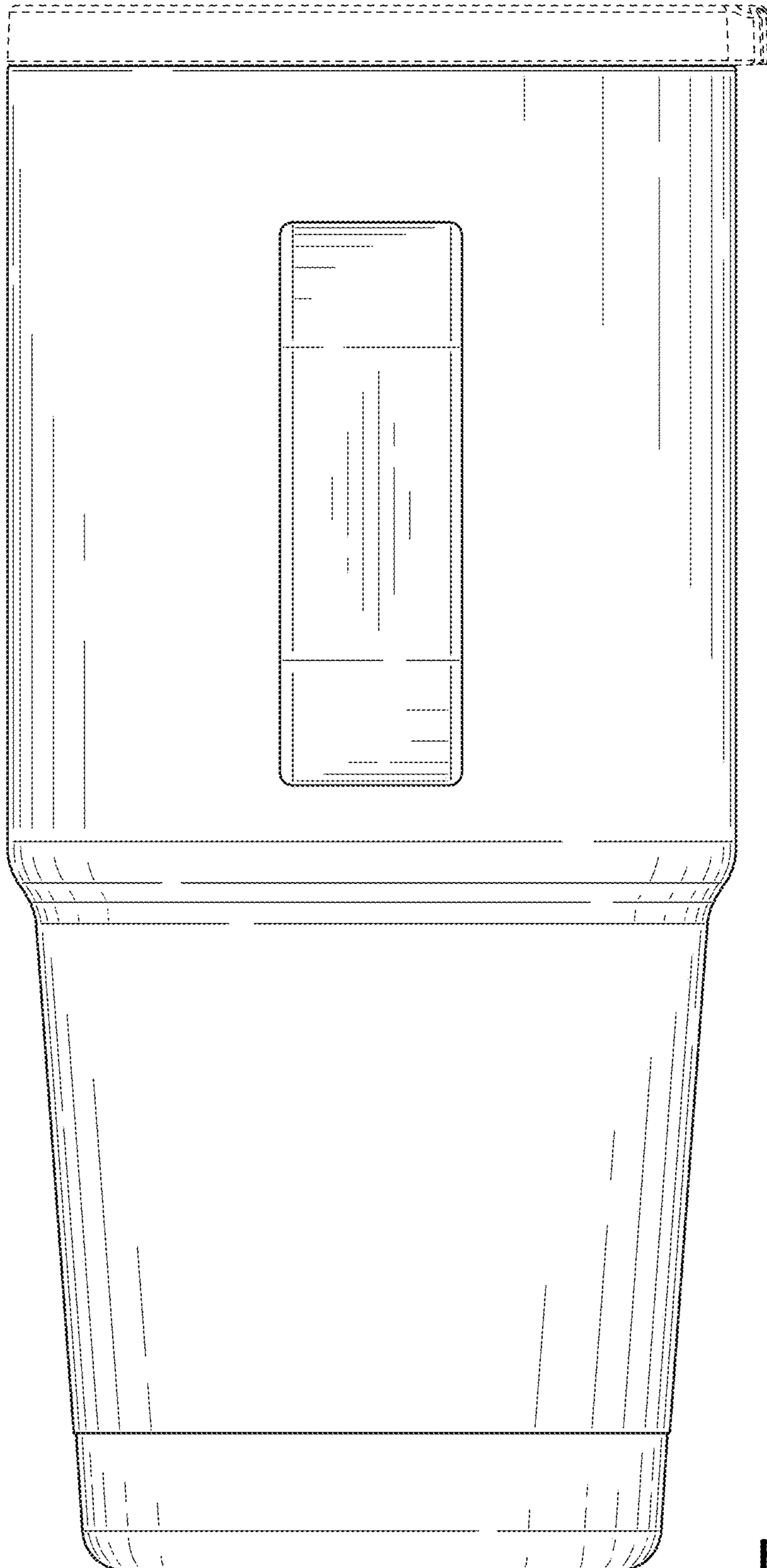


FIG. 5

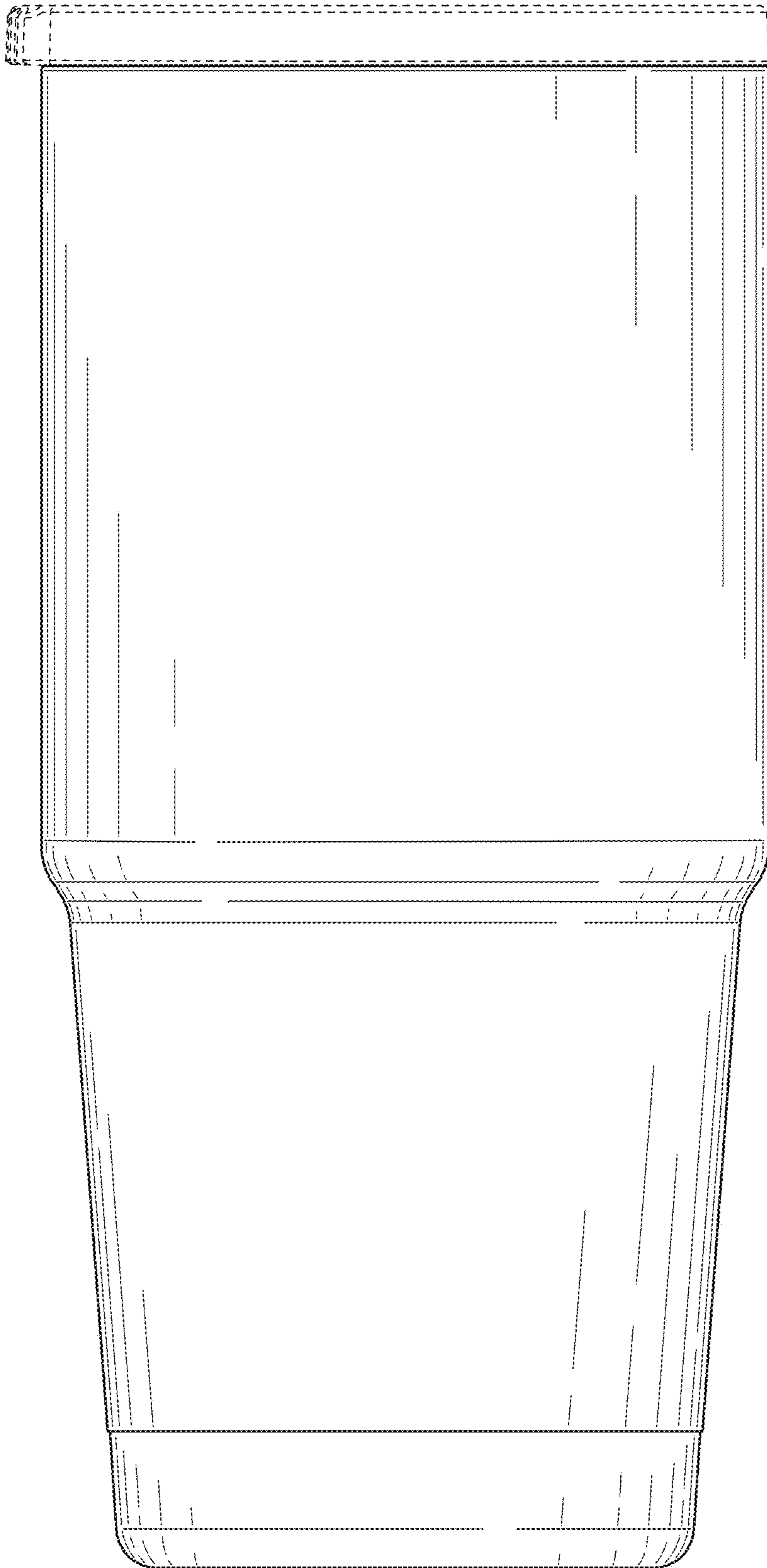


FIG. 6

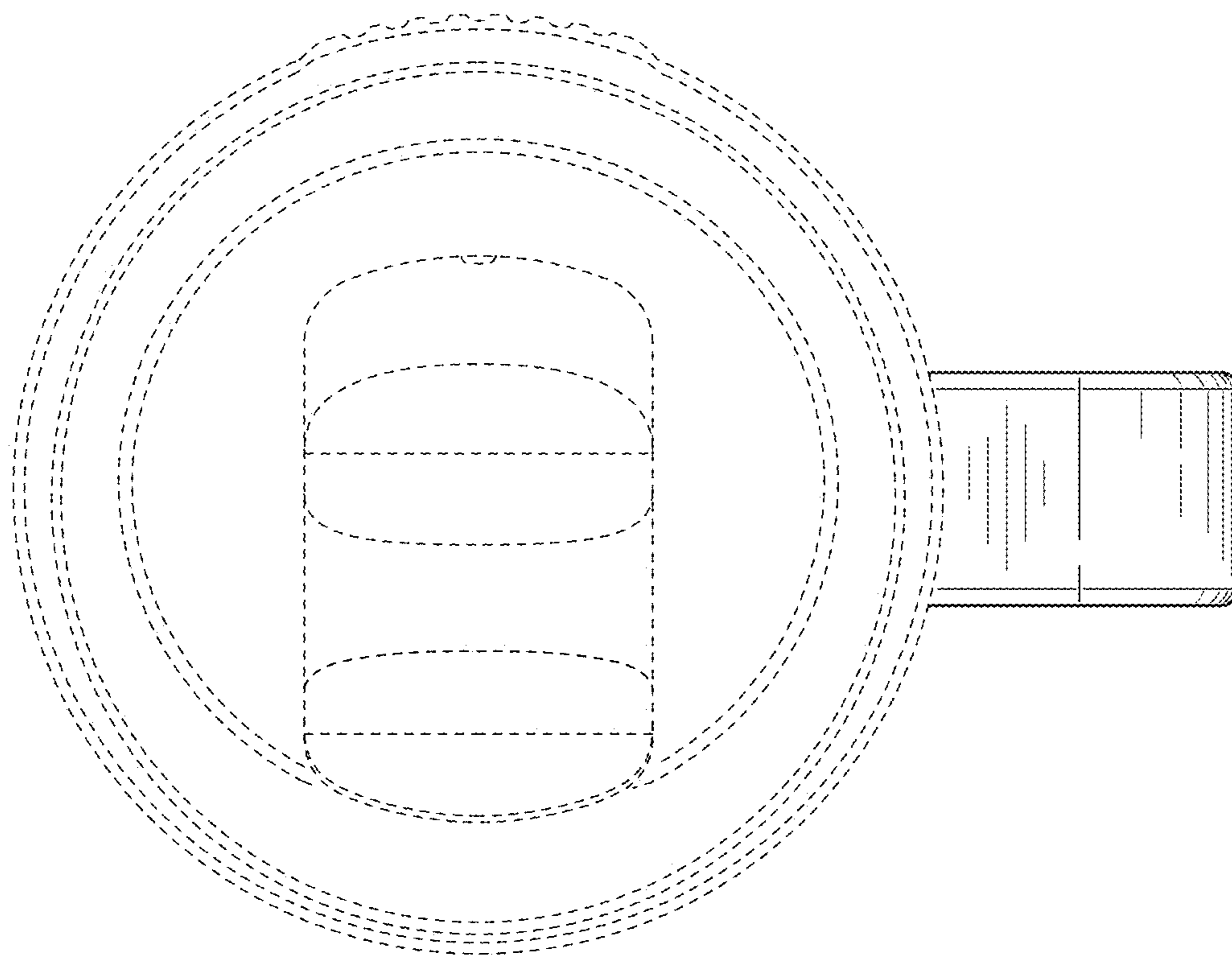


FIG. 7

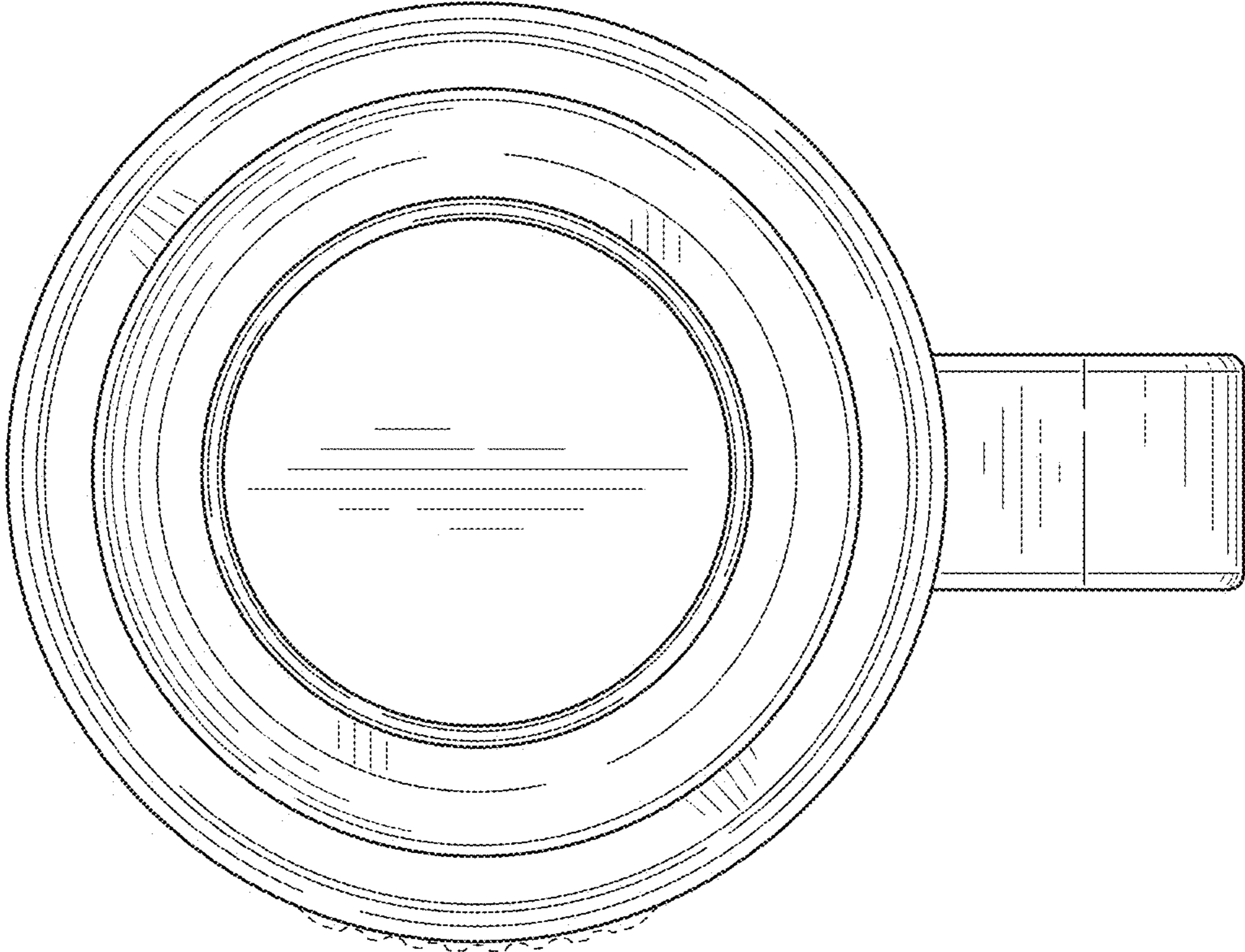


FIG. 8

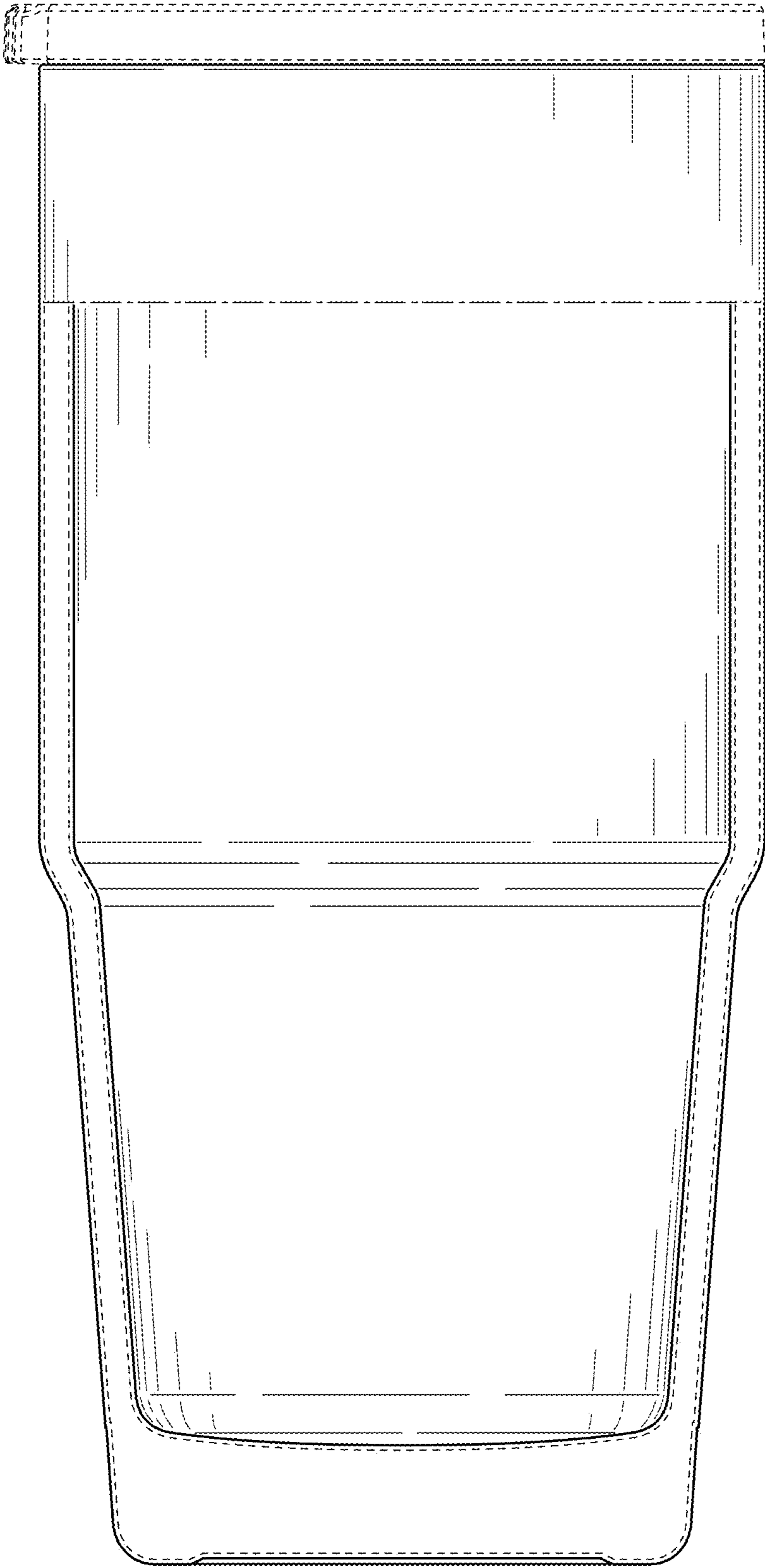


FIG. 9