



US00D982969S

(12) **United States Design Patent**
Pedersen et al.

(10) **Patent No.:** **US D982,969 S**
(45) **Date of Patent:** **** Apr. 11, 2023**

(54) **SUCTION CUP**

- (71) Applicant: **Gripwiq ApS**, Frederikshavn (DK)
- (72) Inventors: **Mads Møller Pedersen**, Jerup (DK);
Rene Nørgaard, Støvring (DK)
- (73) Assignee: **GripWiq ApS**
- (**) Term: **15 Years**
- (21) Appl. No.: **29/788,202**
- (22) Filed: **Apr. 12, 2021**
- (51) **LOC (14) Cl.** **07-04**
- (52) **U.S. Cl.**
USPC **D7/412; D15/146**
- (58) **Field of Classification Search**
USPC D15/199, 145–146; D21/576, 578, 566;
D24/113, 170, 200, 215, 133, 138;
D7/368, 369, 386, 397, 401, 412, 601,
D7/605, 688, 689, 692
CPC A61B 5/0476; A61B 5/165; A61B 5/4836;
A61H 15/0078; B23K 9/133; B23K
9/287; B25J 9/0018; B25J 19/0025
See application file for complete search history.

(56) **References Cited**

U.S. PATENT DOCUMENTS

D369,886 S *	5/1996	McCollum	D7/688
D638,534 S *	5/2011	Moga	D24/113
D651,449 S *	1/2012	Pallotto	D7/672
D682,627 S *	5/2013	Cavanagh	D7/637
D711,191 S *	8/2014	Lee	D7/412
D748,244 S *	1/2016	Petersen	D24/113
D820,652 S *	6/2018	Krupa	D7/412
D823,913 S *	7/2018	Chou	D15/146
10,266,291 B1 *	4/2019	Cannon, Jr.	B65B 31/047

OTHER PUBLICATIONS

“Robot Suction cups SofTouch for handling of patties, pancakes, frozen vegetables” [online]. Gripwiq Experts in Soft Vacuum Grippers for food. [Published on Apr. 12, 2021]. Retrieved from the Internet: <<https://www.youtube.com/watch?v=118tpp3M0Yg>>.*
 “Vacuum Grippers for the food processing and packaging industry” [online]. Gripwiq. [Retrieved on Jun. 11, 2022]. Retrieved from the Internet: <<https://gripwiq.com/cases/>>.*

* cited by examiner

Primary Examiner — Mojtaba Tehrani

(74) *Attorney, Agent, or Firm* — Krishna Kalidindi

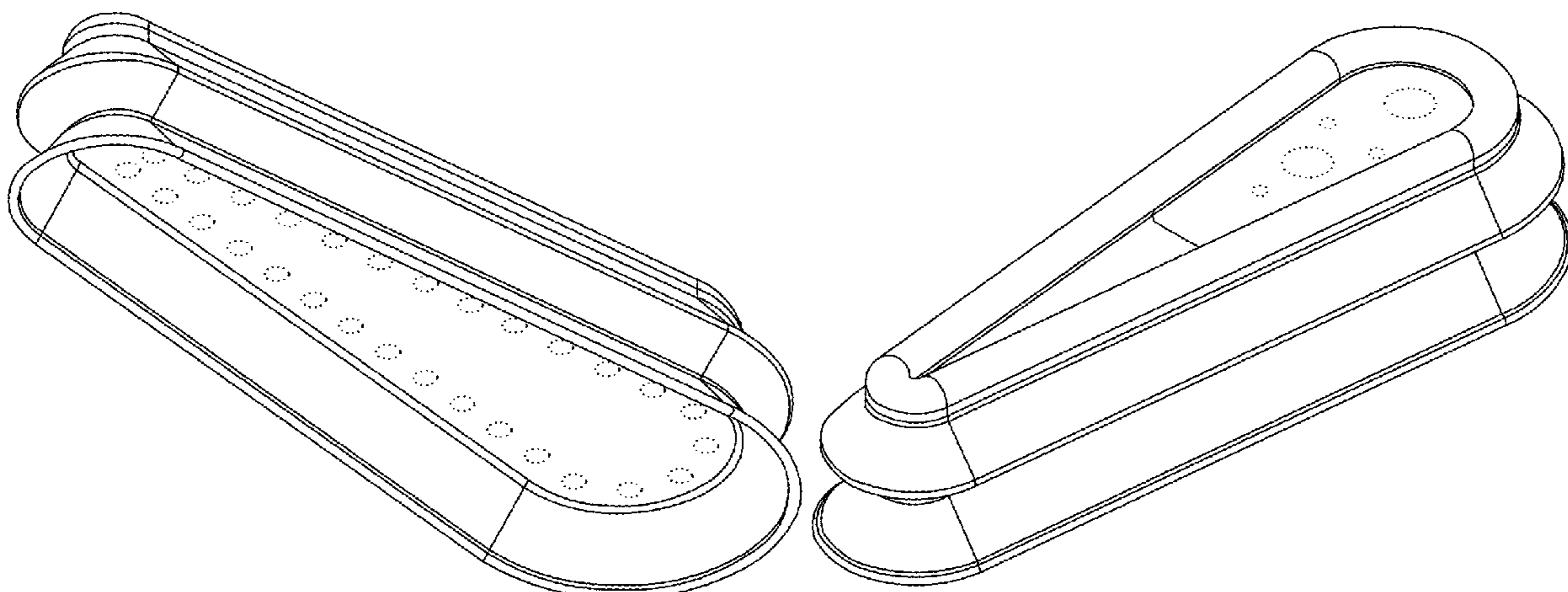
(57) **CLAIM**

The ornamental design for a suction cup, as shown and described.

DESCRIPTION

FIG. 1 is a front elevational view of a suction cup showing our new design;
 FIG. 2 is a left side elevational view of the suction cup shown in FIG. 1;
 FIG. 3 is a bottom plan view of the suction cup shown in FIG. 1;
 FIG. 4 is a top plan view of the suction cup shown in FIG. 1;
 FIG. 5 is a bottom, front, left perspective view of the SUCTION CUP shown in FIG. 1; and,
 FIG. 6 is a top, front, left perspective view of the suction cup shown in FIG. 1.
 Portions of the article not shown in the drawing, if any, form no part of the claimed design.
 The broken lines in the drawings depict unclaimed portions of the suction cup only, and form no part of the claimed design.

1 Claim, 3 Drawing Sheets



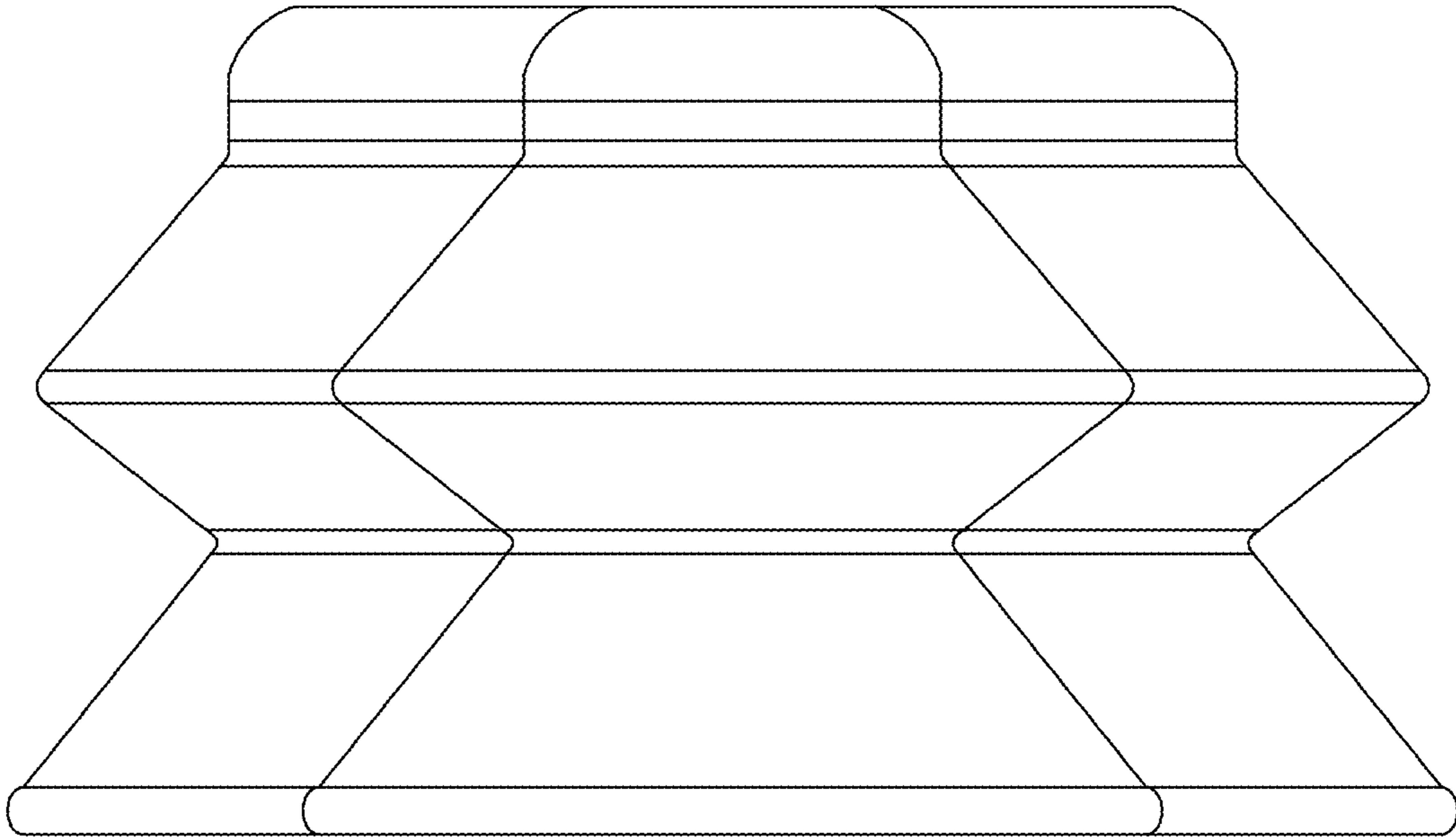


FIG. 1

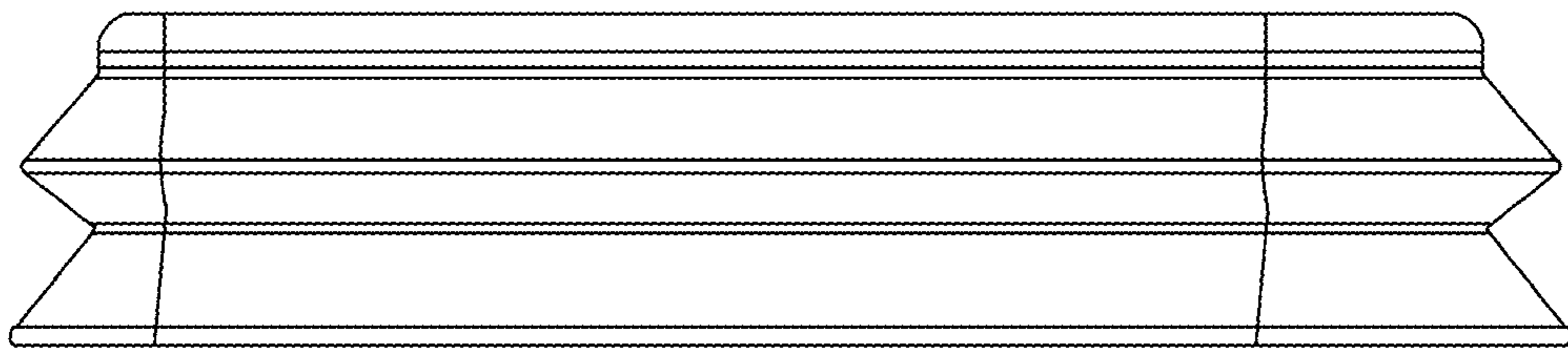


FIG. 2

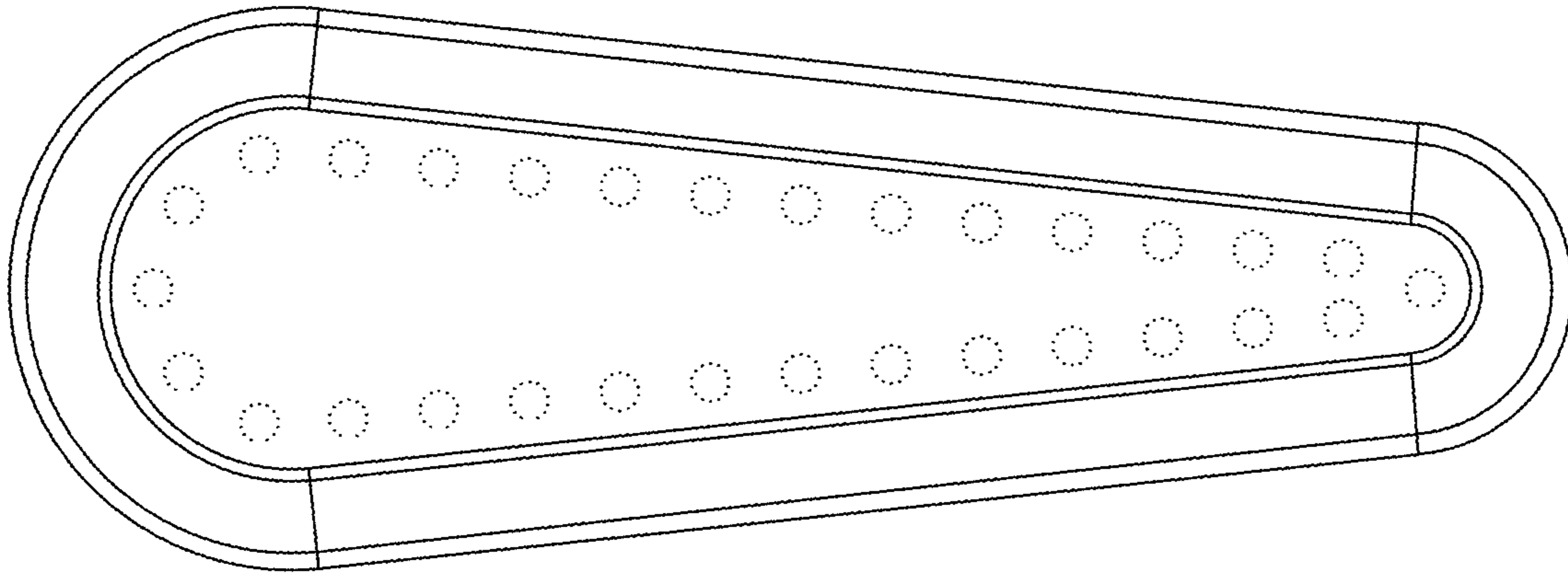


FIG. 3

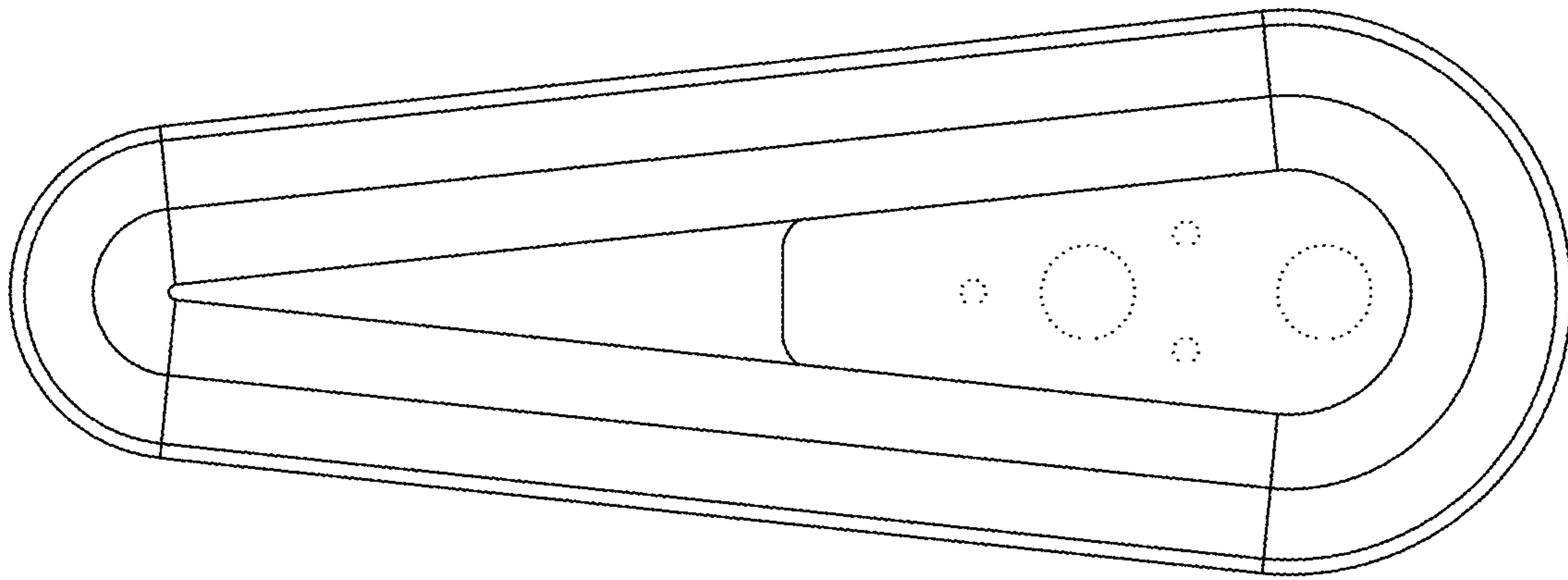


FIG. 4

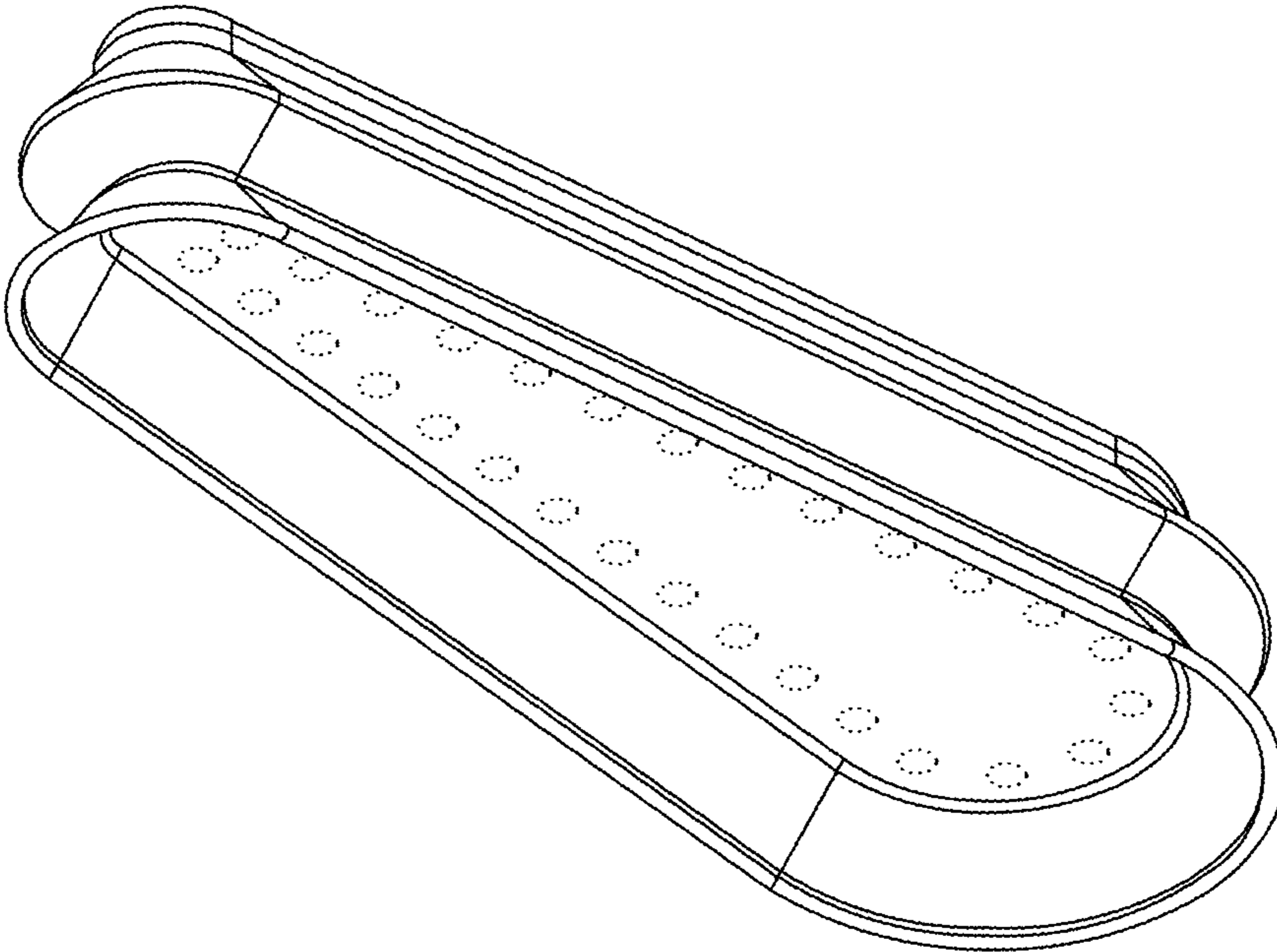


FIG. 5

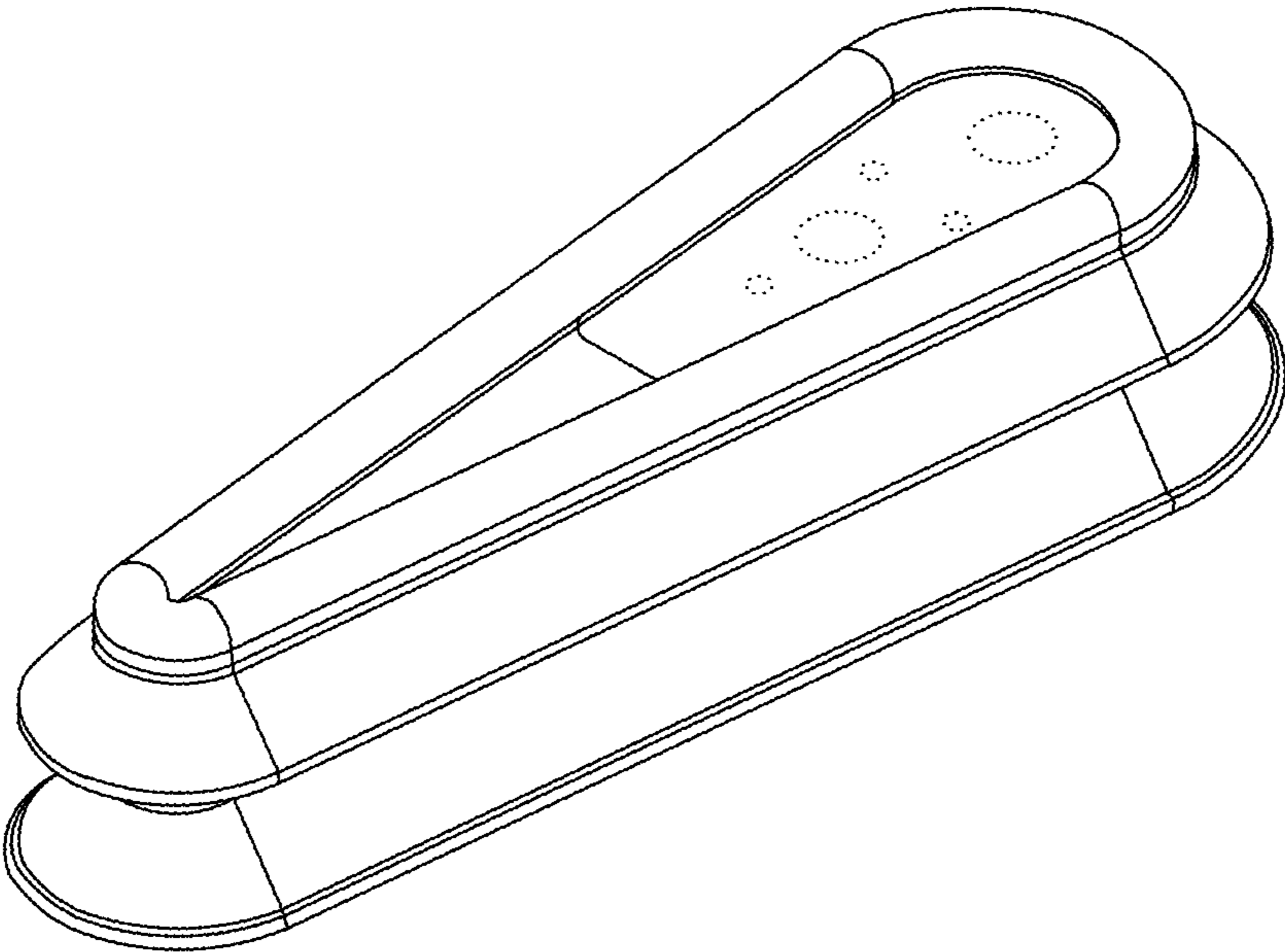


FIG. 6