



US00D982967S

(12) **United States Design Patent**
Wu

(10) **Patent No.:** **US D982,967 S**
(45) **Date of Patent:** **** Apr. 11, 2023**

- (54) **WIND GUARD**
- (71) Applicant: **Danxia Wu**, Meizhou (CN)
- (72) Inventor: **Danxia Wu**, Meizhou (CN)
- (73) Assignee: **Danxia Wu**, Meizhou (CN)
- (**) Term: **15 Years**
- (21) Appl. No.: **29/855,433**
- (22) Filed: **Oct. 3, 2022**
- (51) **LOC (14) Cl.** **07-02**
- (52) **U.S. Cl.**
USPC **D7/409**
- (58) **Field of Classification Search**
USPC D7/323, 332, 335-337, 354-355,
D7/359-364, 387-388, 402, 407-409
CPC A21B 2/00; A21B 3/00; A21B 3/13; A21B
3/15; A21B 3/155; A21B 5/00; A21B
5/02; A23N 12/06; A23N 12/08; A23N
12/10; A47J 36/022; A47J 36/2405; A47J
37/00; A47J 37/04; A47J 37/041; A47J
37/042; A47J 37/06; A47J 37/0688; A47J
37/0694; A47J 37/07; A47J 37/0704;
A47J 37/0713; A47J 37/0786; A47J
37/10; A47J 47/20; A47J 2037/00; A47J
2037/06; A47J 2037/0611; A47J 2037/07;
A47J 2037/0786; A47J 2037/0795; E04H
15/003; F24B 1/202; F24C 3/14; F24C
5/20; F24C 15/10; F24C 15/12; F24C
15/14; F24C 15/16; F24C 15/18; F24C
15/107; F24C 15/164
See application file for complete search history.

- (56) **References Cited**
U.S. PATENT DOCUMENTS
4,363,313 A * 12/1982 Smith F24B 1/202
126/30
4,794,906 A * 1/1989 Longley, Jr. F24C 1/16
126/38

- 4,838,525 A * 6/1989 Snow E04H 15/003
256/26
- 5,351,673 A * 10/1994 Somerton F24C 15/12
126/299 C
- 6,425,387 B1 * 7/2002 Rohback, Jr. F24C 3/14
126/152 A
- 6,973,927 B1 * 12/2005 Stewart A47J 37/0786
126/29
- 7,708,006 B2 * 5/2010 Sun F24C 15/107
126/22
- 8,360,049 B2 * 1/2013 Stephens E04H 15/003
126/30
- 8,590,526 B2 * 11/2013 Sun F24C 15/107
126/39 K
- 9,943,186 B2 * 4/2018 Leonard A47J 36/2405
- 10,883,727 B2 * 1/2021 Haemerle F24C 15/12
- D951,020 S 5/2022 Zemel et al.
- 11,439,274 B2 * 9/2022 Battel A47J 37/0713
- 2004/0250807 A1 * 12/2004 Reiner F24C 5/20
126/50

* cited by examiner

Primary Examiner — Ricky Pham

(74) *Attorney, Agent, or Firm* — Nitin Kaushik

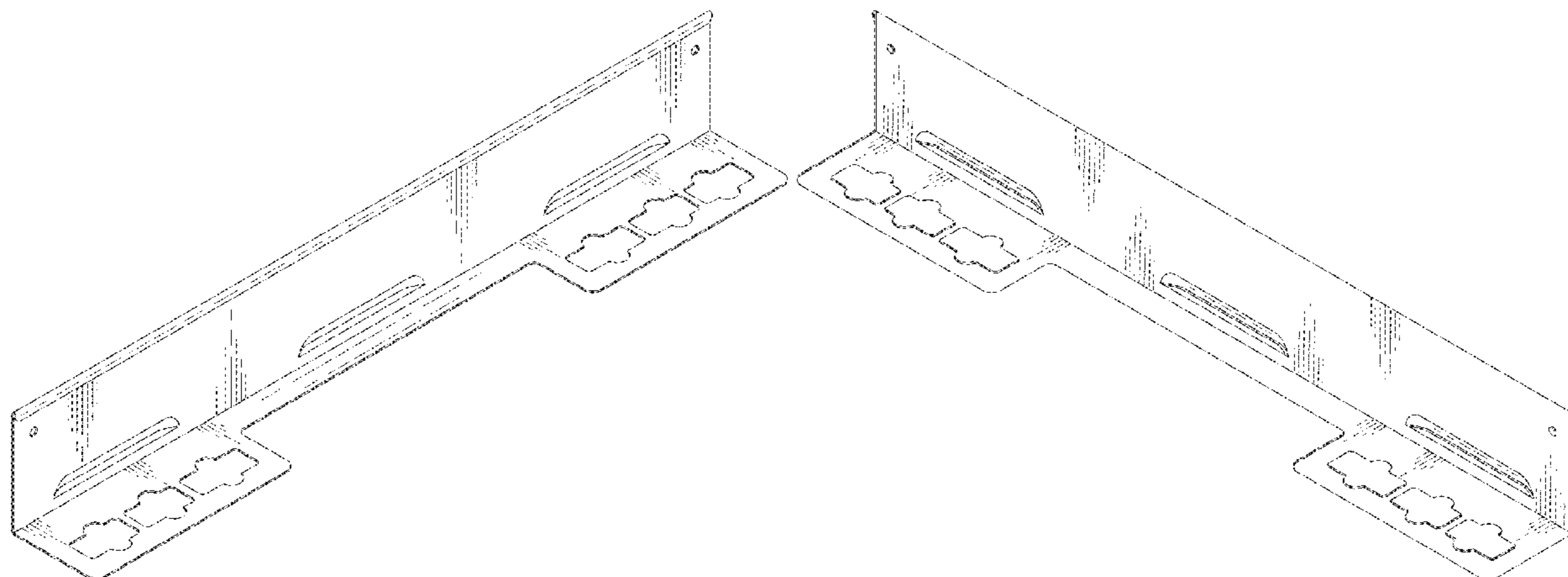
(57) **CLAIM**

The ornamental design for a wind guard, as shown and described.

DESCRIPTION

FIG. 1 is a top perspective view of a wind guard, showing my new design;
 FIG. 2 is a bottom perspective view thereof;
 FIG. 3 is a front view thereof;
 FIG. 4 is a rear view thereof;
 FIG. 5 is a right side view thereof;
 FIG. 6 is a left side view thereof;
 FIG. 7 is a bottom view thereof; and,
 FIG. 8 is a top view thereof.

1 Claim, 8 Drawing Sheets



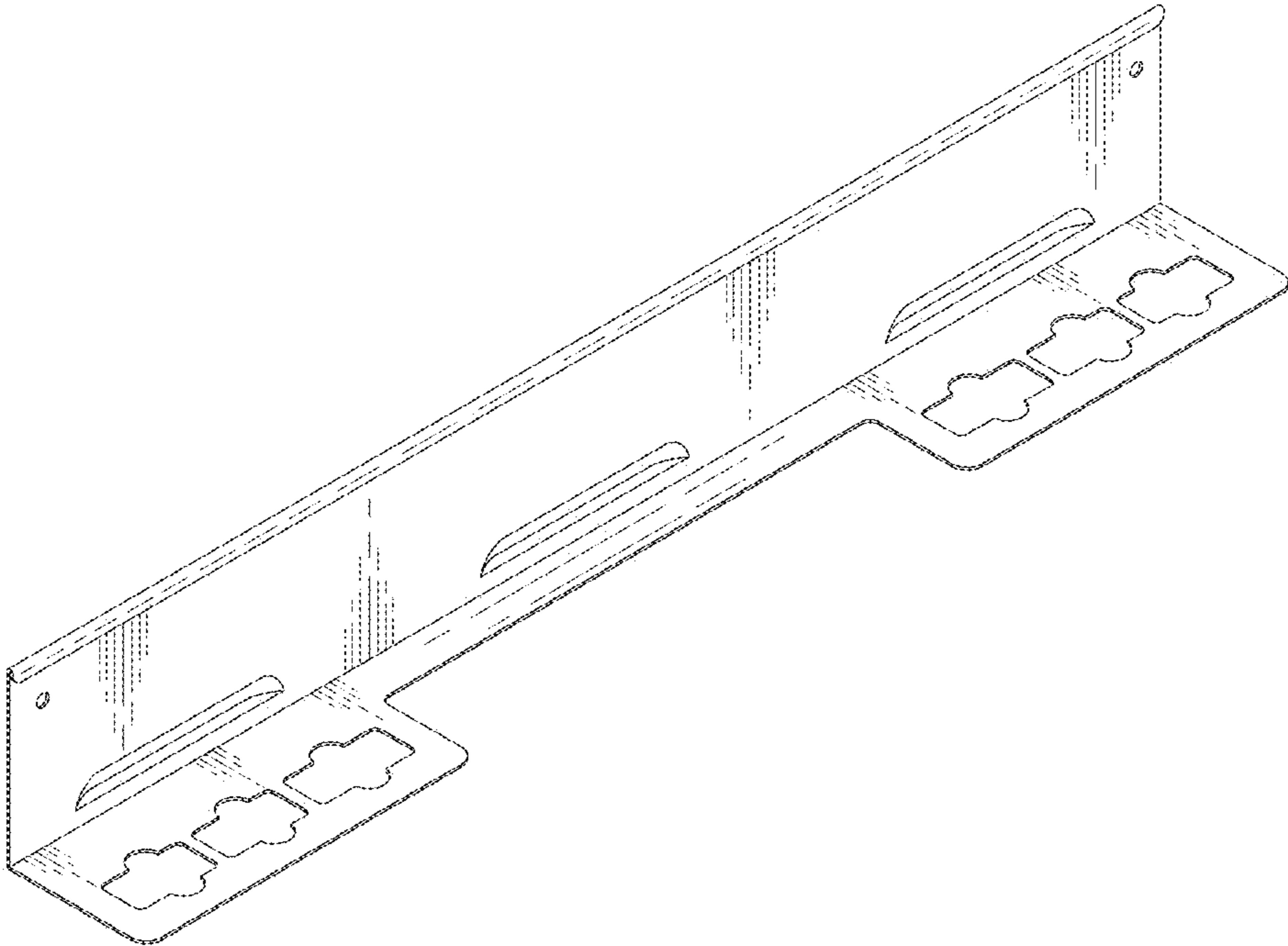


FIG. 1

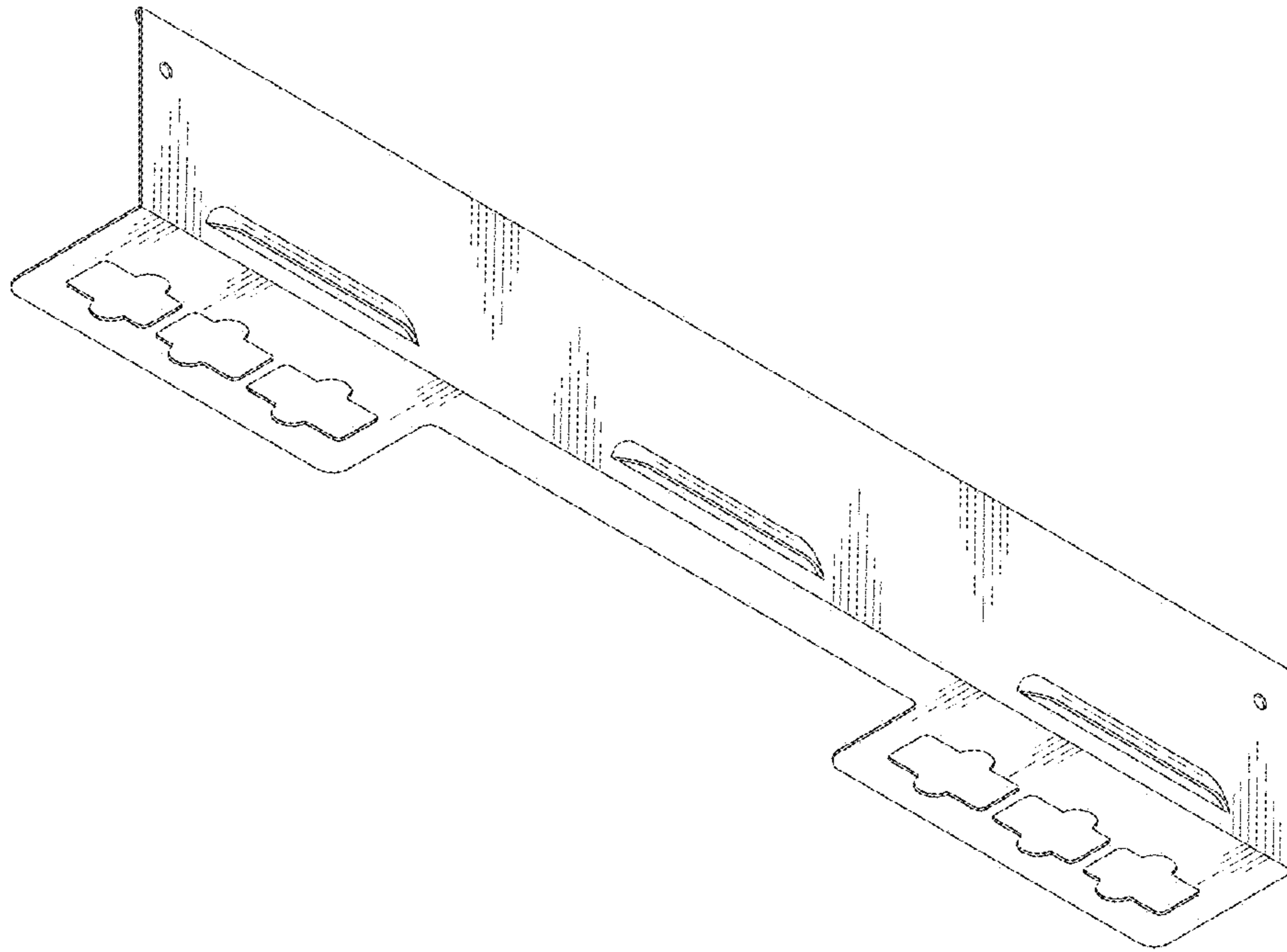


FIG. 2

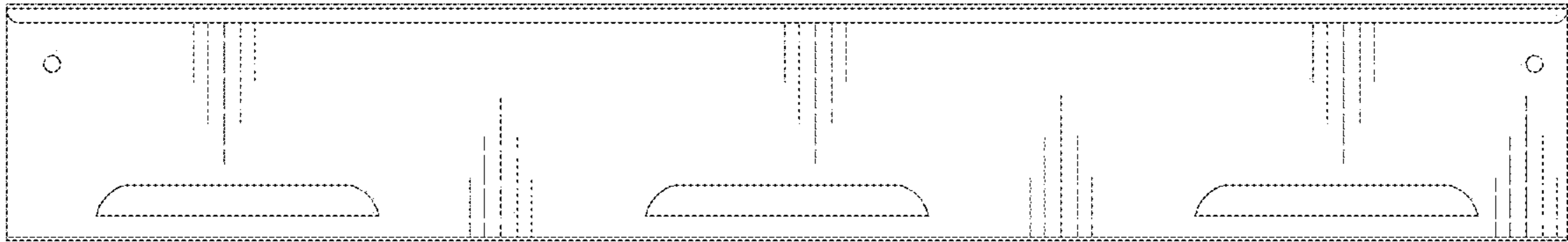


FIG. 3

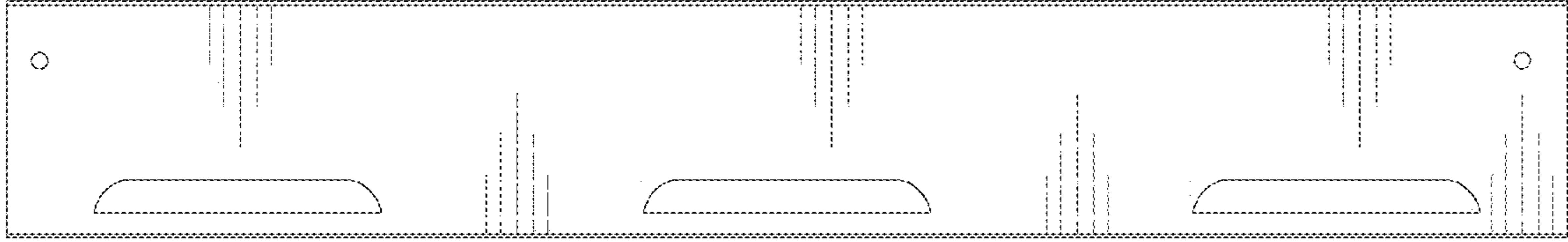


FIG. 4

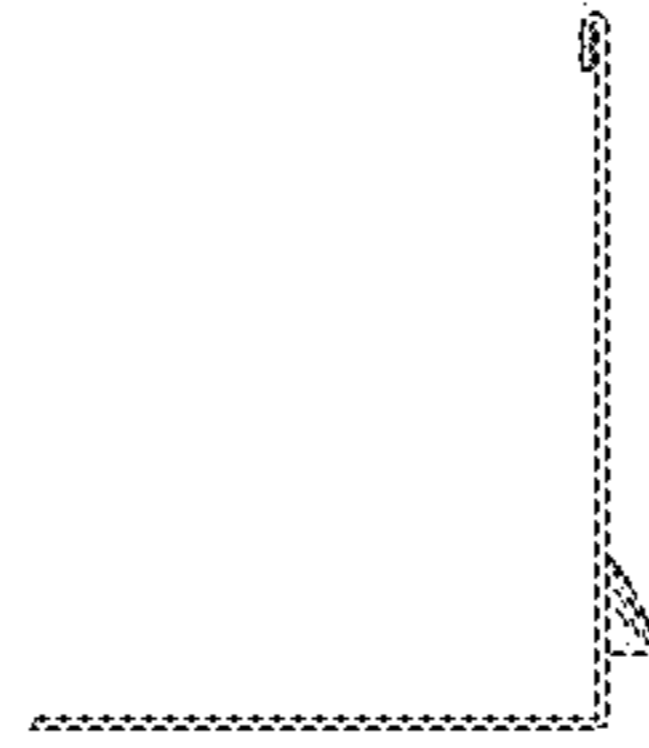


FIG. 5

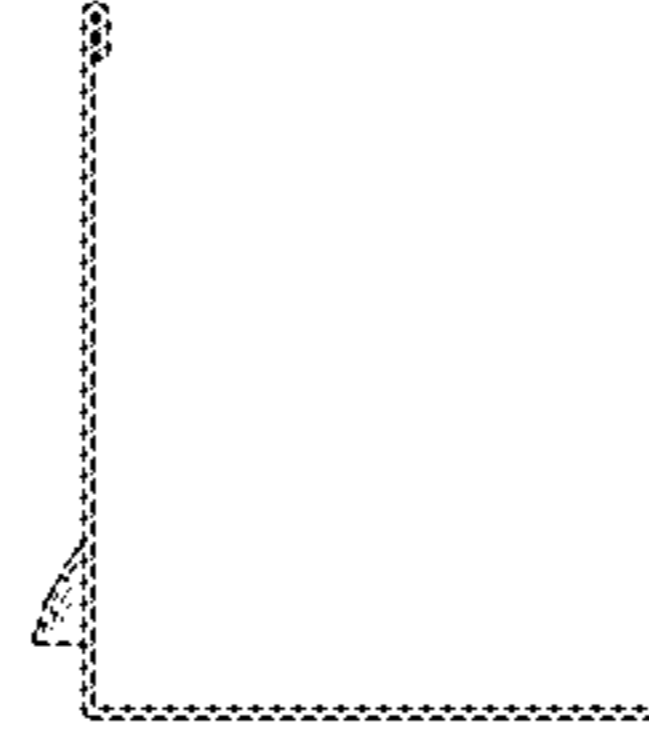


FIG. 6

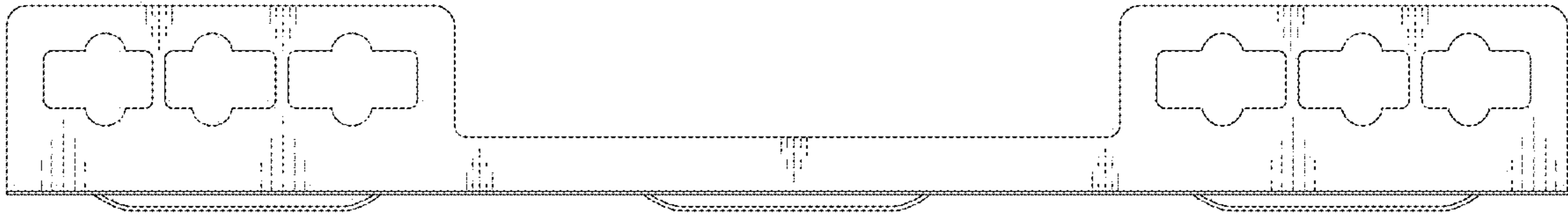


FIG. 7

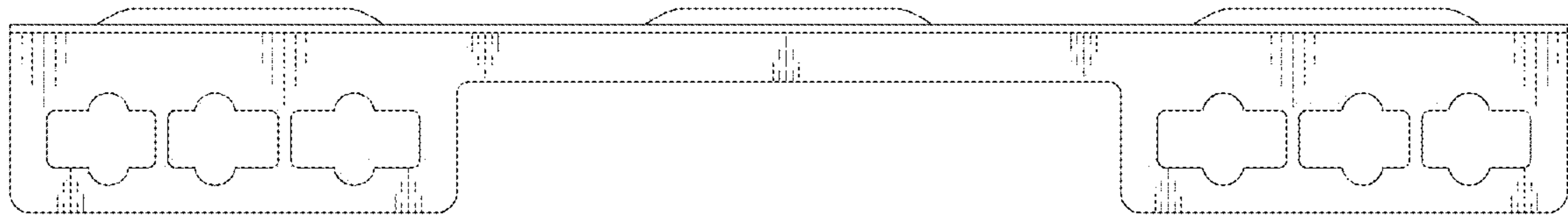


FIG. 8