



US00D982966S

(12) **United States Design Patent**  
**Zhu**

(10) **Patent No.:** **US D982,966 S**  
(45) **Date of Patent:** **\*\* Apr. 11, 2023**

(54) **COFFEE FILTER**  
(71) Applicant: **Shenzhen Baifan Electronic Commerce Co., Ltd, Guangdong (CN)**  
(72) Inventor: **Hongxia Zhu, Guangdong (CN)**  
(73) Assignee: **Shenzhen Baifan Electronic Commerce Co., Ltd, Shenzhen (CN)**  
(\*\*) Term: **15 Years**

D637,484 S *	5/2011	Winkler	.....	D9/417
D727,141 S *	4/2015	Mastropasqua	.....	D9/416
D771,434 S *	11/2016	Burrows	.....	D7/400
D788,577 S *	6/2017	Schaude	.....	D9/416
D797,502 S *	9/2017	Robotti	.....	D7/400
D800,497 S *	10/2017	Fedorak	.....	D7/400
D860,777 S *	9/2019	Giovanni	.....	D9/416
D874,218 S *	2/2020	Wood	.....	D7/400
D889,907 S *	7/2020	Braukmann	.....	D7/400
D890,569 S *	7/2020	Fedorak	.....	D7/400
D893,293 S *	8/2020	Fedorak	.....	D7/400
D948,936 S *	4/2022	Fedorak	.....	D7/400
2019/0337713 A1 *	11/2019	Ergican	.....	B65D 85/8055
2021/0147138 A1 *	5/2021	Affolter	.....	B65D 85/8049

(21) Appl. No.: **29/799,040**

\* cited by examiner

(22) Filed: **Jul. 12, 2021**

*Primary Examiner* — Joseph Kukella

(51) **LOC (14) Cl.** ..... **07-06**

*Assistant Examiner* — Darryl J Dardenne

(52) **U.S. Cl.**  
USPC ..... **D7/400**

(58) **Field of Classification Search**  
USPC ..... D7/306, 312, 313, 387, 399, 400;  
D9/414, 416, 424, 428, 429, 741;  
D23/209

(57) **CLAIM**

The ornamental design for a coffee filter, as shown and described.

CPC .. A47J 31/42; A47J 31/06; A47J 31/44; A47J 31/08; A47J 31/02; A47J 31/4403; A47J 31/407; A47J 31/0663; A47J 31/057; A47J 31/005; A47J 31/0668; A47J 31/10; A47J 31/3623; B65D 85/8061; B65D 85/8043; B65D 85/8046; B65D 85/808; B65D 85/804; B65D 2581/3409  
See application file for complete search history.

**DESCRIPTION**

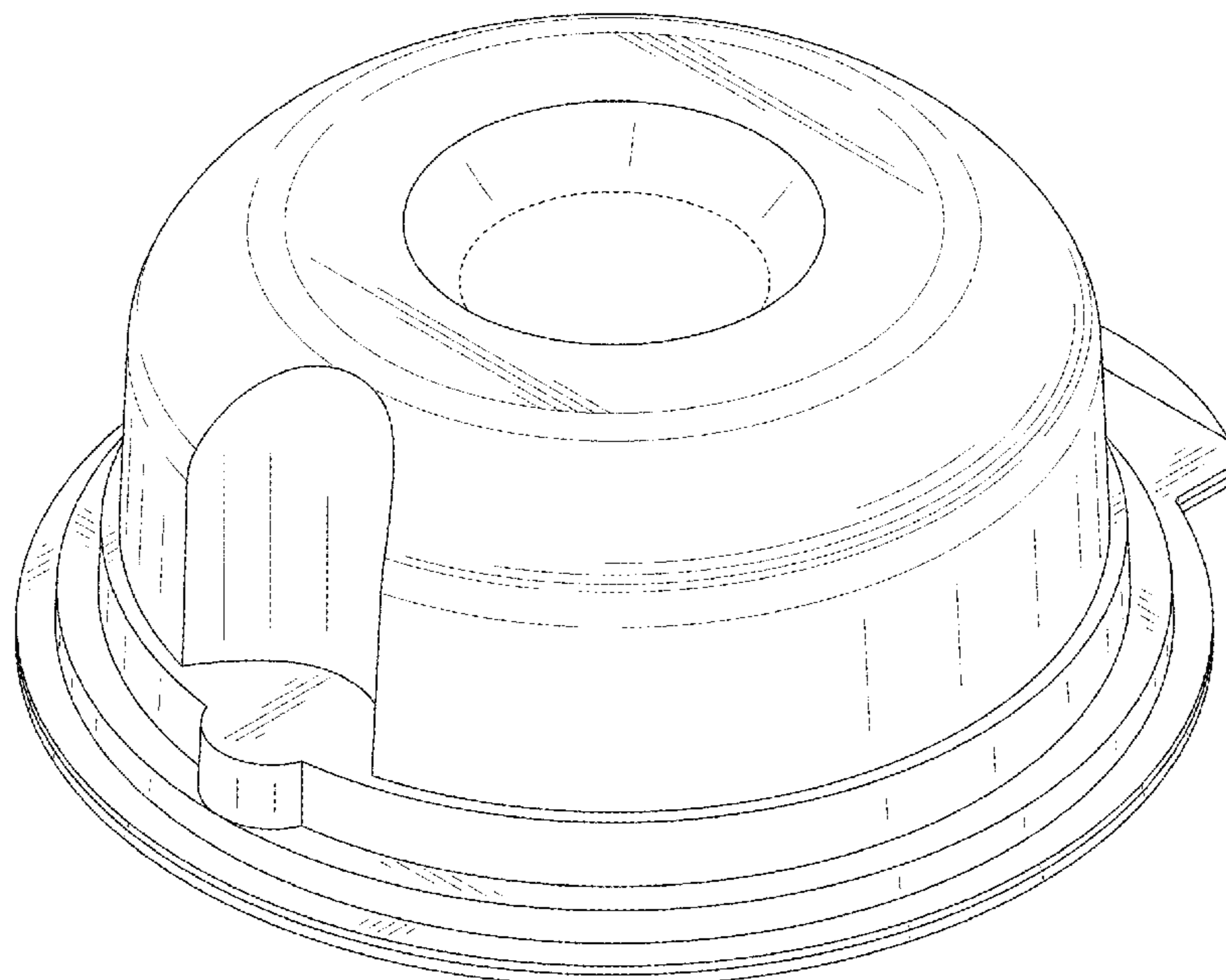
FIG. 1 is a top, front and right side perspective view of a coffee filter showing my new design;  
FIG. 2 is a bottom, rear and left side perspective view thereof;  
FIG. 3 is a front elevational view thereof;  
FIG. 4 is a rear elevational view thereof;  
FIG. 5 is a left side view thereof;  
FIG. 6 is a right side view thereof;  
FIG. 7 is a top plan view thereof;  
FIG. 8 is a bottom plan view thereof; and,  
FIG. 9 is an enlarged view of portion 9 in FIG. 2.  
The broken lines in the drawings illustrate portions of the coffee filter which form no part of the claimed design.

(56) **References Cited**

**U.S. PATENT DOCUMENTS**

D506,926 S *	7/2005	Halliday	.....	B65D 85/8055
				D9/416
D539,643 S *	4/2007	Abel	.....	B65D 85/8049
				D9/414
D598,706 S *	8/2009	Neace	.....	D7/400

**1 Claim, 9 Drawing Sheets**



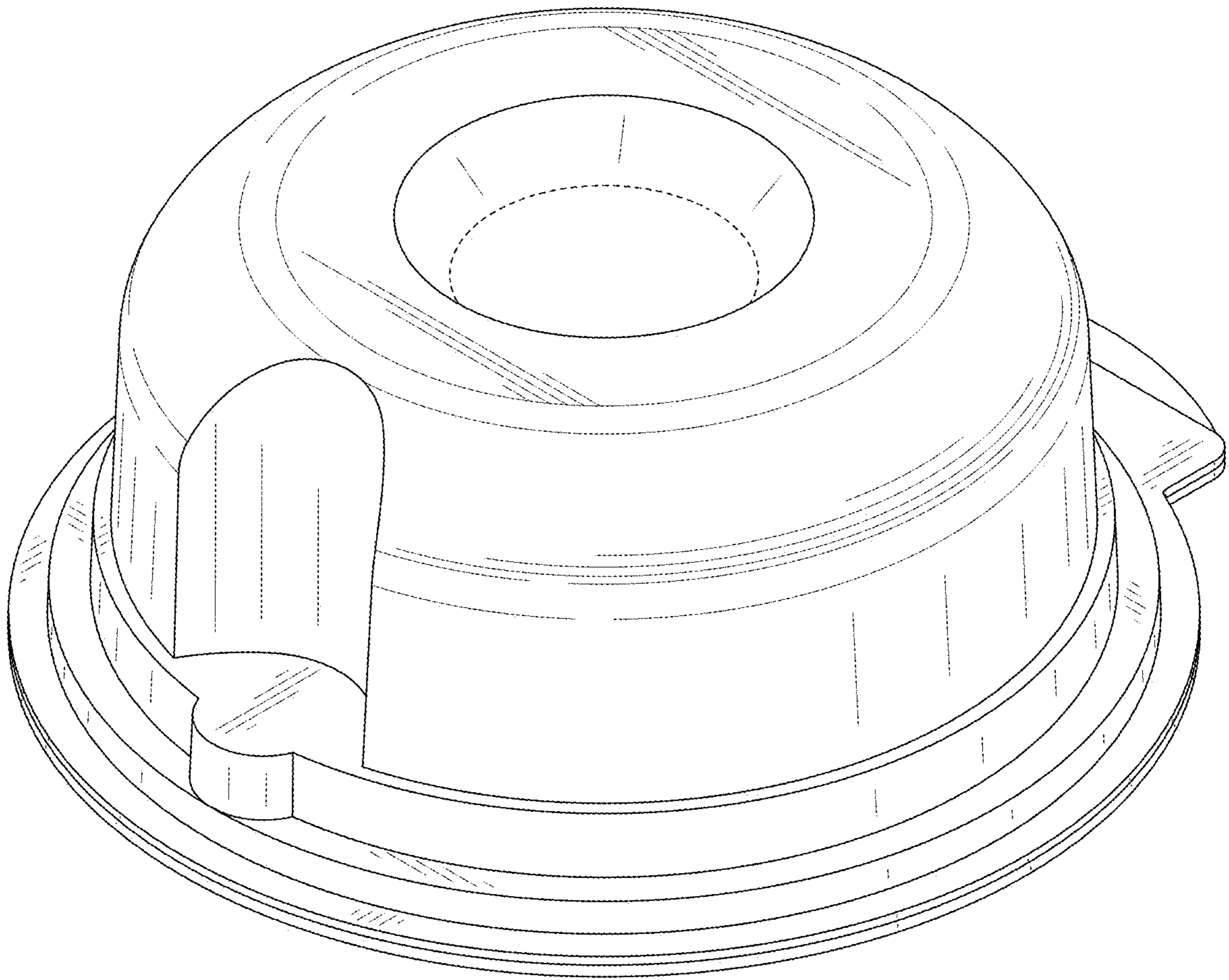


FIG. 1

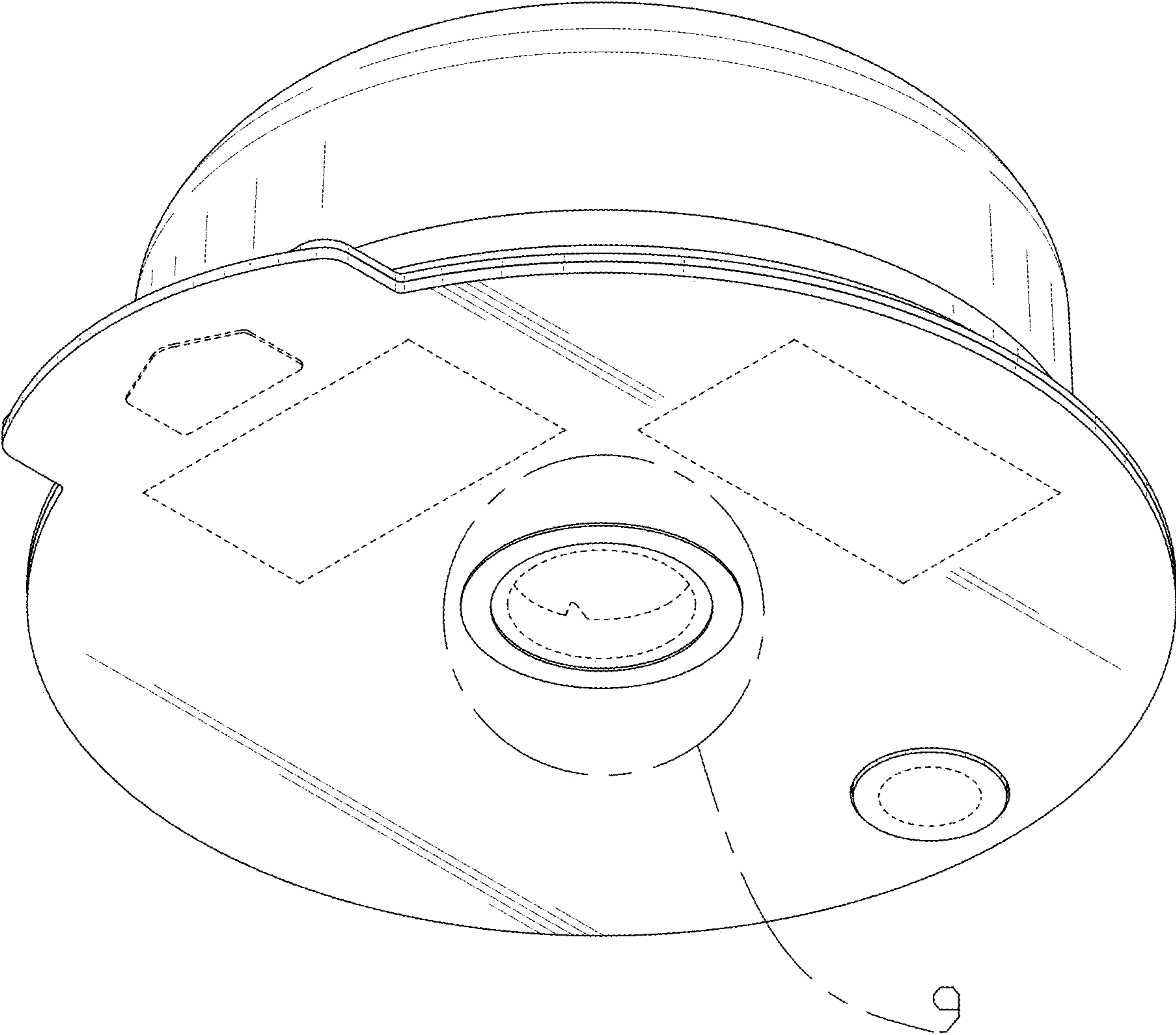


FIG. 2

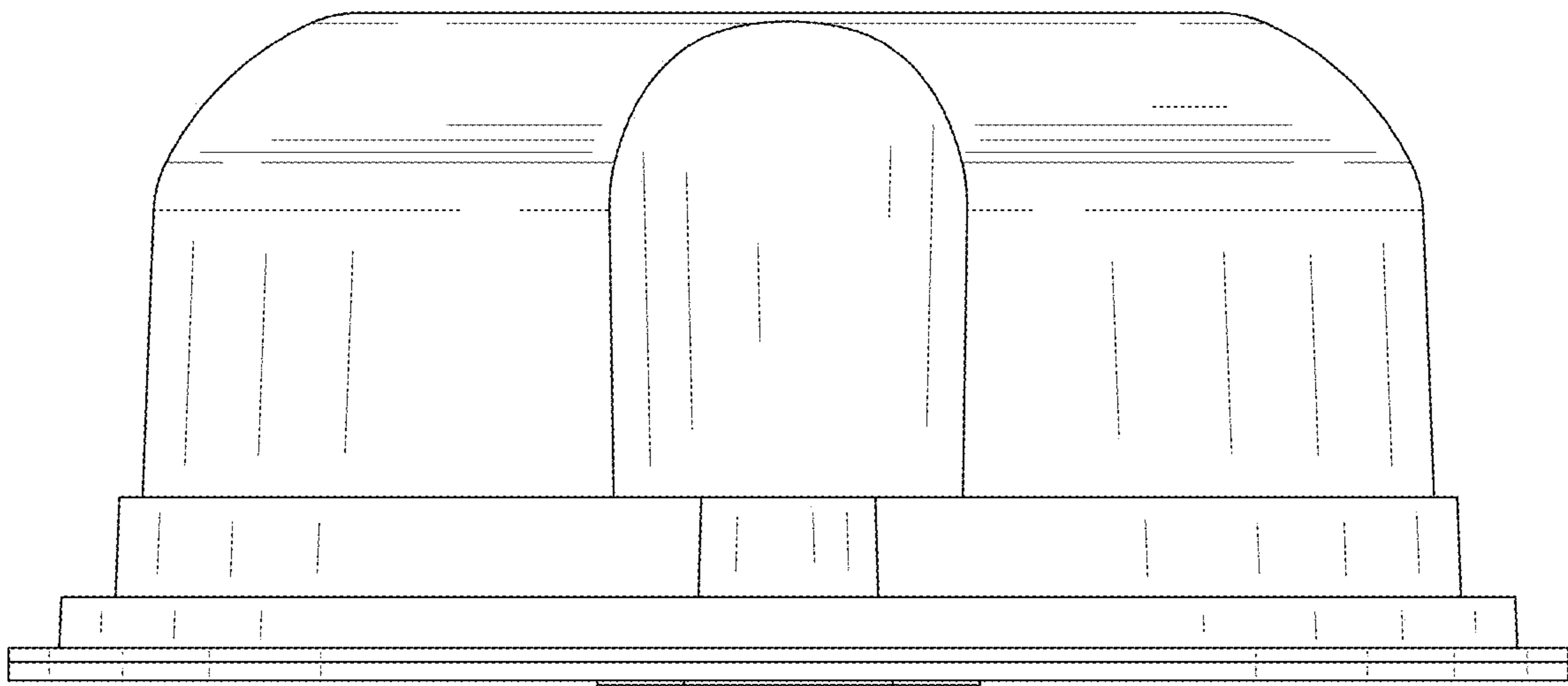


FIG. 3

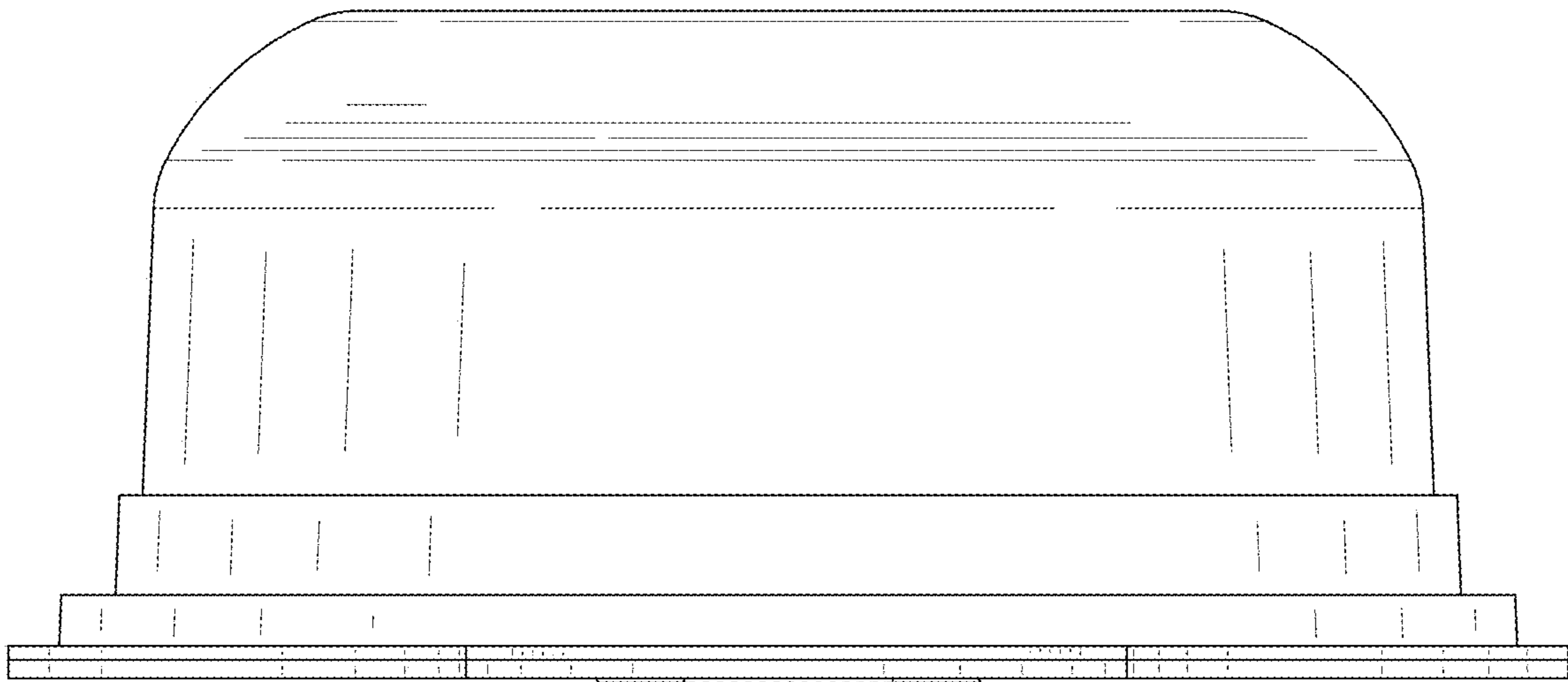


FIG. 4

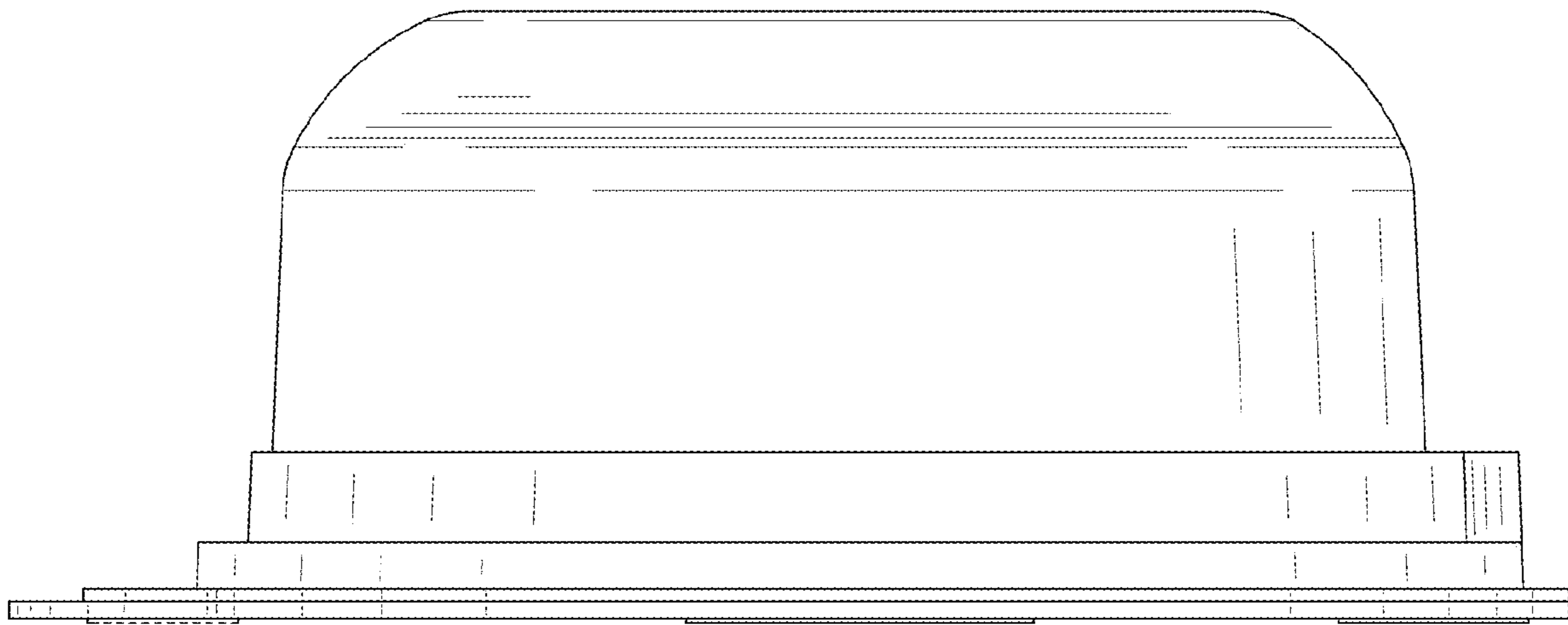


FIG. 5



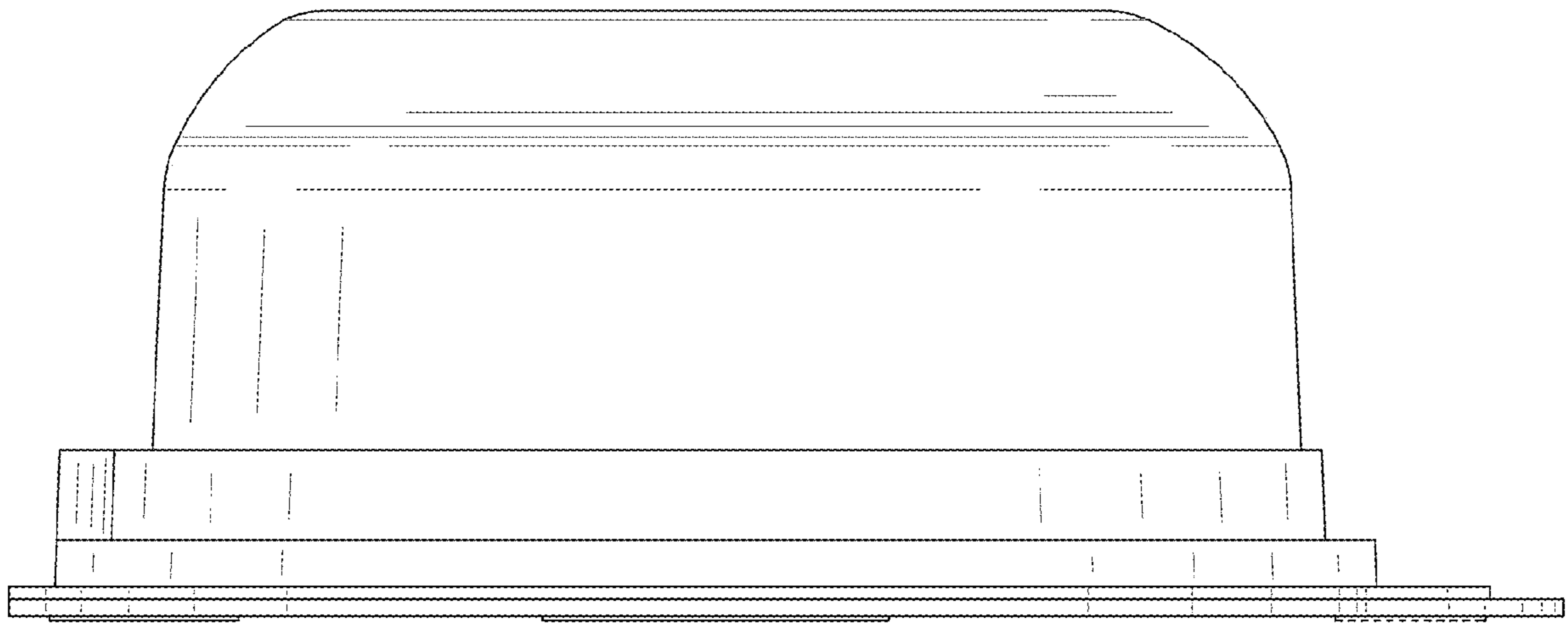


FIG. 6

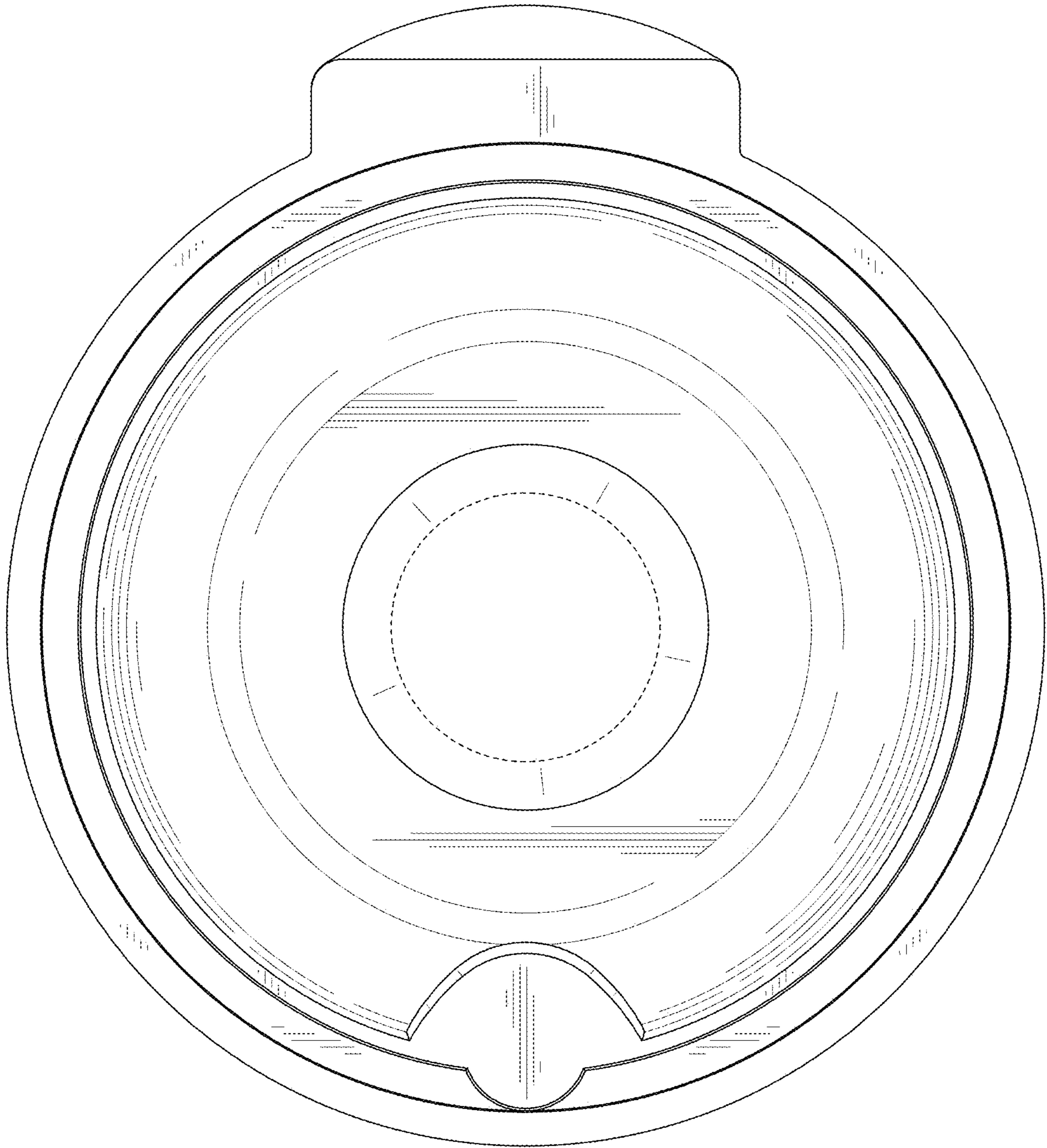


FIG. 7



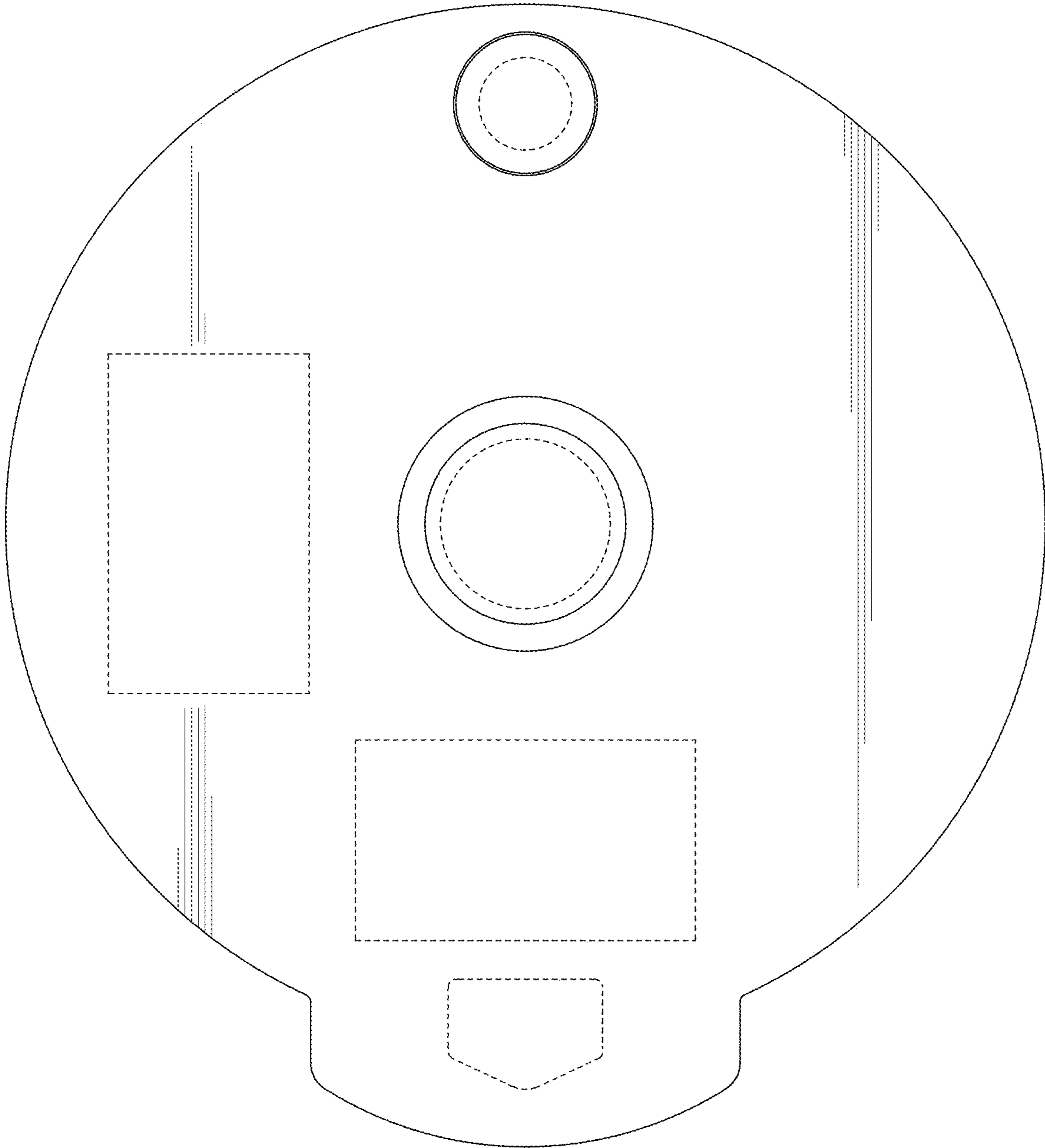


FIG. 8

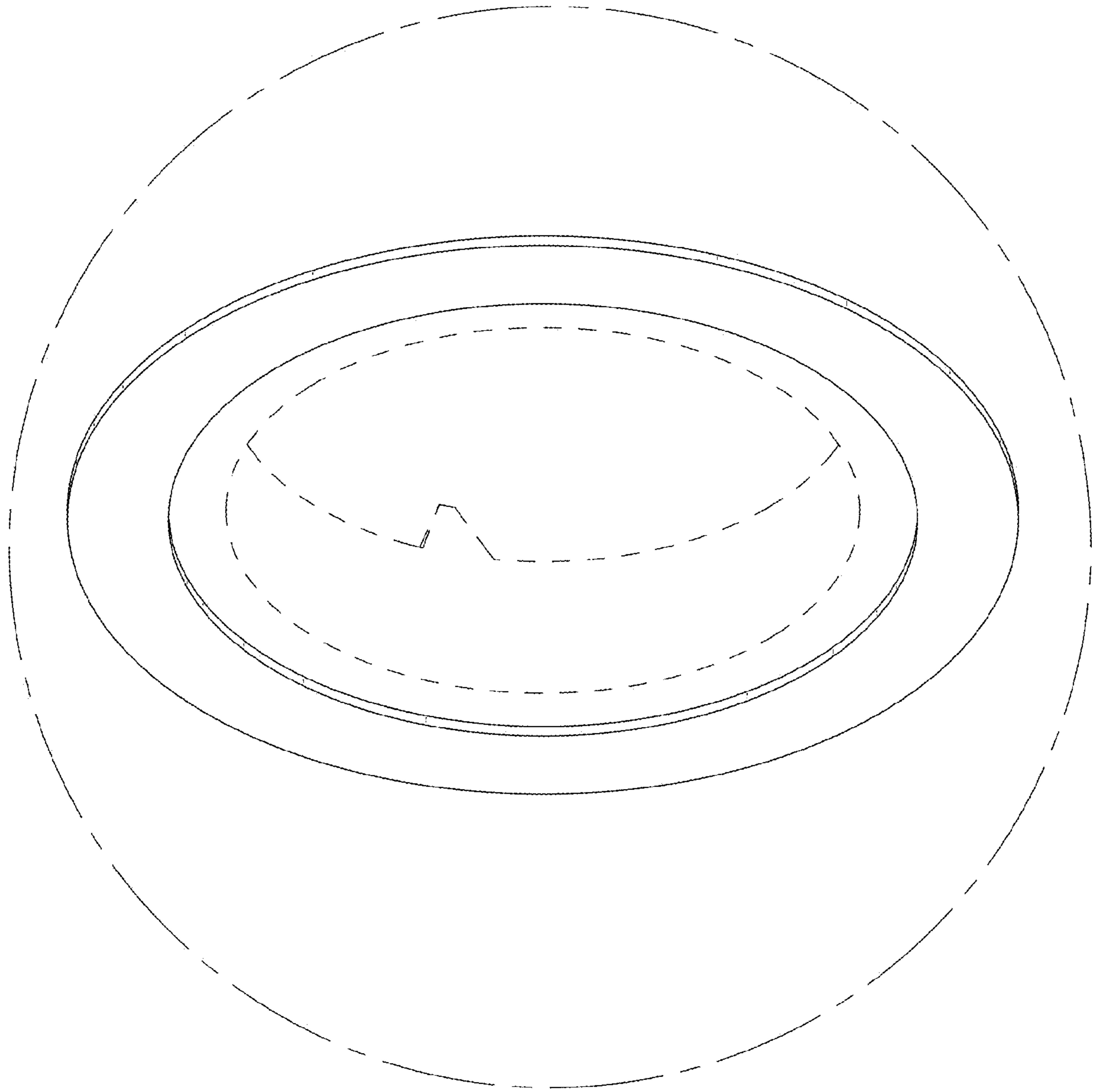


FIG. 9