



US00D982965S

(12) **United States Design Patent** (10) **Patent No.:** **US D982,965 S**
McCabe et al. (45) **Date of Patent:** **** *Apr. 11, 2023**

(54) **BEVERAGE CONTAINER LID**

(56) **References Cited**

(71) Applicant: **Leapfrog Product Development LLC**,
Chicago, IL (US)

U.S. PATENT DOCUMENTS

(72) Inventors: **Micaela K. McCabe**, Chicago, IL (US);
Brian M. Clemens, Burnsville, MN
(US); **Steven N. Pinelli**, Ogden Dunes,
IN (US); **Glen C. Gilmore, III**,
Naperville, IL (US); **Richard E.**
Ellison, Chicago, IL (US); **Derek J.**
Leatzow, Chicago, IL (US); **Kurtis M.**
Sward, Anna Maria, FL (US)

D364,810	S	*	12/1995	Meisner	D9/446
D471,455	S	*	3/2003	Laveault	D9/443
D508,185	S	*	8/2005	Gauss	D7/392.1
D515,357	S		2/2006	Ward et al.		
D564,841	S		3/2008	Clemens et al.		
D581,727	S		12/2008	Pinelli et al.		
D592,456	S		5/2009	Pinelli et al.		
D592,905	S		5/2009	Pinelli et al.		
D592,913	S	*	5/2009	Pinelli	D7/510
7,546,933	B2		6/2009	Pinelli		
D643,249	S		8/2011	Miller et al.		
7,997,442	B2		8/2011	Pinelli		
D656,787	S		4/2012	Phillips et al.		
D675,060	S	*	1/2013	Lane	D7/392.1
8,360,267	B1		1/2013	Chiou et al.		
D675,865	S	*	2/2013	Wahl	D7/392.1
D686,871	S	*	7/2013	Lane	D7/392.1
D693,629	S		11/2013	Miller		
D693,630	S		11/2013	Hurley et al.		
8,579,133	B2		11/2013	Marcus et al.		
8,590,731	B2		11/2013	Pinelli		
D700,012	S	*	2/2014	Hurley	D7/392.1
D700,802	S		3/2014	Miller		
8,978,906	B2		3/2015	Feeley et al.		
D739,183	S	*	9/2015	Lane	D7/605
9,266,643	B2		2/2016	Marcus et al.		
D758,189	S	*	6/2016	Roth	D7/392.1
D758,790	S	*	6/2016	Boroski	D7/392.1
D780,578	S	*	3/2017	Lane	D7/396.2
D799,898	S	*	10/2017	Yao	D7/510
D802,993	S	*	11/2017	Joseph	D7/392.1
D804,903	S	*	12/2017	Mason	D7/510
D808,220	S	*	1/2018	Burns	D7/510
D809,384	S	*	2/2018	Best	D9/443
D821,136	S	*	6/2018	Silsby	D7/392.1
D821,137	S	*	6/2018	Boroski	D7/392.1
D822,427	S	*	7/2018	Sorensen	D7/392.1
D831,425	S	*	10/2018	Best	D7/510
D831,433	S	*	10/2018	Fleischhut	D9/443
D839,044	S	*	1/2019	Potter	D7/392.1
D841,398	S	*	2/2019	Gauss	D7/511
D901,250	S	*	11/2020	McCabe	D7/511
D902,647	S	*	11/2020	McCabe	D7/392.1
D903,406	S	*	12/2020	McCabe	D7/396.2
D910,368	S	*	2/2021	McCabe	D7/392.1
D913,035	S	*	3/2021	McCabe	D7/392.1
D921,422	S	*	6/2021	McCabe	D7/392.1
D924,623	S	*	7/2021	McCabe	D9/443
D925,287	S	*	7/2021	Gilmore, III	D7/511

(73) Assignee: **Leapfrog Product Development LLC**,
Chicago, IL (US)

(*) Notice: This patent is subject to a terminal dis-
claimer.

(**) Term: **15 Years**

(21) Appl. No.: **29/684,637**

(22) Filed: **Mar. 22, 2019**

(51) **LOC (14) Cl.** **07-02**

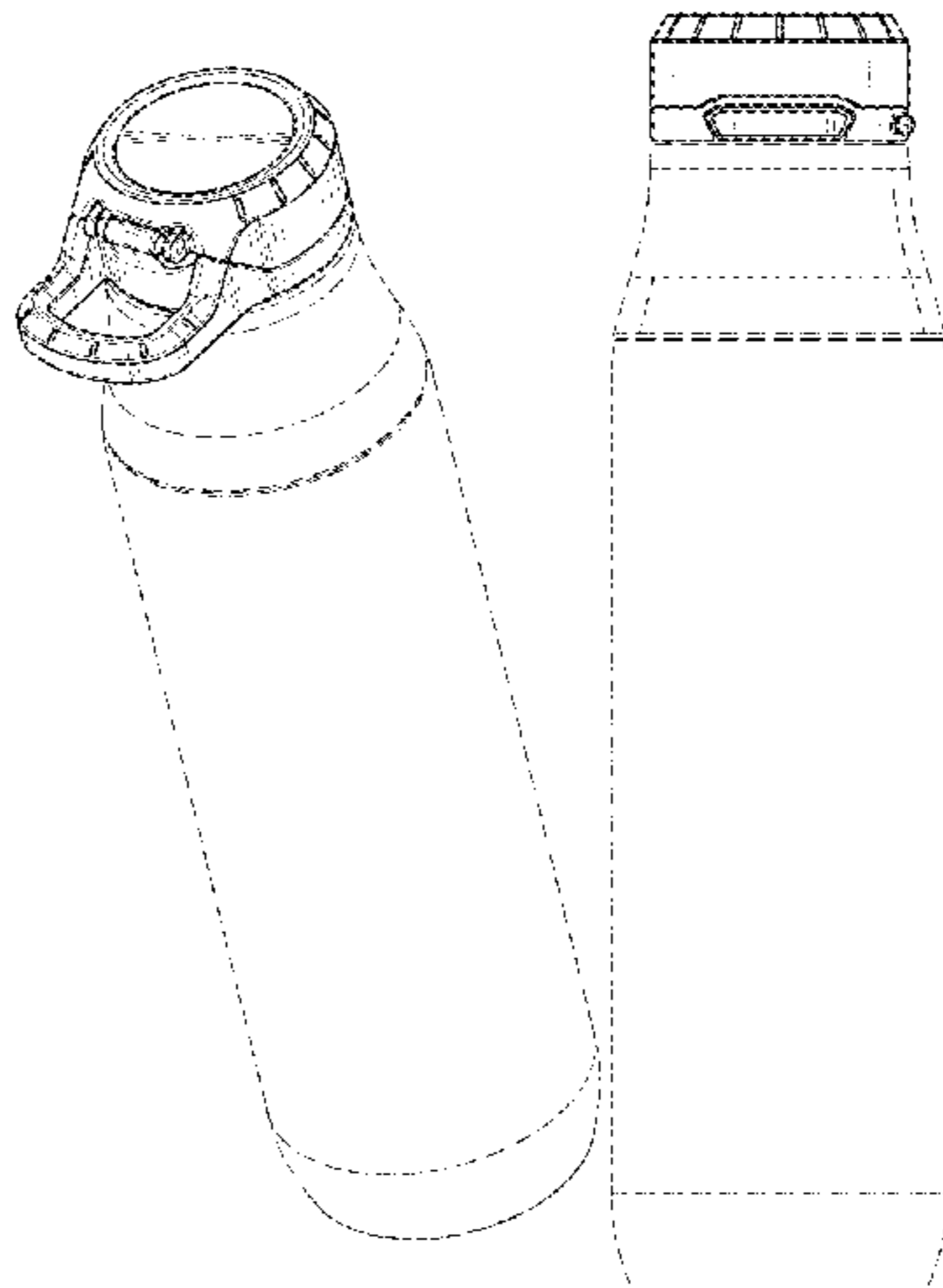
(52) **U.S. Cl.**
USPC **D7/392.1; D9/443**

(58) **Field of Classification Search**

USPC D9/414, 415, 432, 434, 435, 443-453,
D9/455-457, 499, 503, 504, 682, 685,
D9/686; D7/387, 391, 392, 392.1, 394,
D7/396.1-396.4, 506, 507, 509-511, 538,
D7/900; D3/202, 203.2, 294, 318;
D28/91, 91.1

CPC .. A61J 1/00; A61J 1/1412; B65D 1/00; B65D
1/02; B65D 1/10; B65D 1/46; B65D
5/46; B65D 41/00; B65D 41/38; B65D
41/56; B65D 41/62; B65D 47/00; B65D
47/06; B65D 47/08; B65D 2251/00;
B65D 2543/00046; B65D 2543/00092;
B65D 2543/00296; B65D 2585/56; B65D
2585/545

See application file for complete search history.



D925,972 S *	7/2021	Gilmore, III	D7/392
D929,182 S *	8/2021	McCabe	D7/510
D931,681 S *	9/2021	McCabe	D7/510
D965,388 S *	10/2022	McCabe	D7/511
11,510,512 B2 *	11/2022	Pinelli	B65D 47/32
2012/0312832 A1 *	12/2012	Lane	B65D 51/242 220/833
2014/0339177 A1 *	11/2014	Lane	A45F 3/18 210/767
2021/0086961 A1 *	3/2021	Pinelli	B65D 47/0871

OTHER PUBLICATIONS

Zulu, “Atlas20 oz Glass Water Bottle,” accessed on-line at: <https://www.zuluathletic.com/shop-all/atlas-glass-water-bottle> (available at least as early as Mar. 22, 2019).

Kor, “Vida Bottle—25oz,” accessed on-line at: <https://waterbottles.com/kor-vida-bottle-25-oz> (available at least as early as Mar. 22, 2019).

Thermos, “Hydration Bottle with Rotating Intake Meter, 24oz,” accessed on-line at: <https://www.thermos.com/genuine-thermos-brand-hydration-bottle-with-rotating-intake-meter-24oz.html> (available at least as early as Mar. 22, 2019).

Thermos, “Shaker Bottle with Integrated Mixer, 24oz,” accessed on-line at: <https://www.thermos.com/genuine-thermos-brand-shaker-bottle-with-integrated-mixer-24oz-clear-green-accent.html> (available at least as early as Mar. 22, 2019).

Tervis, “Custom Water Bottle,” accessed on-line at: <https://www.tervis.com/turtle-sunset-stainless-steel-24oz-stainless-water-bottle-1362572.html> (available at least as early as Mar. 22, 2019).

Swell, “Bottles,” accessed on-line at: <https://www.swell.com/shop/swell/bottles/> (available at least as early as Mar. 22, 2019).

Tritan, “32 oz Soft Straw Plastic Water Bottle,” accessed on-line at: <http://www.pogogear.com/32oz-tritan-straw> (available at least as early as Mar. 22, 2019).

Tritan, “32oz Chug Plastic Water Bottle,” accessed on-line at: <http://www.pogogear.com/32oz-tritan-chug> (available at least as early as Mar. 22, 2019).

Tritan, “18oz Chug Plastic Water Bottle,” accessed on-line at: <http://www.pogogear.com/18oz-tritan-chug> (available at least as early as Mar. 22, 2019).

Ello, “chi 24oz BPA-Free Tritan Plastic Water Bottle,” accessed on-line at: <https://www.elloproducts.com/water-bottles/chi-24oz-plastic-water-bottle> (available at least as early as Mar. 22, 2019).

Ello, “Dash 16oz 2pk Tritan Plastic Water Bottles,” accessed on-line at: <https://www.elloproducts.com/kids/dash-16oz-tritan-plastic-water-bottle> (available at least as early as Mar. 22, 2019).

Ello, “Cru Stemless Wine glass Set with Silicone Protection,” accessed on-line at: <https://www.elloproducts.com/tumblers/cru-stemless-wine-glass-set-with-silicone-protection> (available at least as early as Mar. 22, 2019).

Aladdin, “Water Bottle,” (1 page) (available at least as early as Mar. 22, 2019).

Ello, “Elsie 22oz Glass Water Bottle,” accessed on-line at: <https://www.elloproducts.com/water-bottles/elsie-22oz-glass-water-bottle> (available at least as early as Mar. 22, 2019).

Ello, “Beacon 24oz Vacuum Insulated Stainless Tumbler,” accessed on-line at: <https://www.elloproducts.com/tumblers/beacon-24oz-vacuum-insulated-stainless-tumbler> (available at least as early as Mar. 22, 2019).

Ello, “Rise 12oz Vacuum Insulated Stainless Steel Tumbler with Optional Straw,” accessed on-line at: <https://www.elloproducts.com/kids/rise-12oz-vacuum-insulated-stainless-steel-tumbler> (available at least as early as Mar. 22, 2019).

Ello, “Hammertime 18oz Stainless Steel Travel Mug,” accessed on-line at: <https://www.elloproducts.com/travel-mugs/hammertime-18oz-vacuum-insulated-stainless-steel-travel-mug> (available at least as early as Mar. 22, 2019).

Ello, “Pure 20oz Glass Water Bottle,” accessed on-line at: <https://www.elloproducts.com/water-bottles/pure-20oz-glass-water-bottle> (available at least as early as Mar. 22, 2019).

Ello, “Max 12oz Vacuum-Insulated Stainless Steel Kids Water Bottle,” accessed on-line at: <https://www.elloproducts.com/kids/>

max-12oz-vacuum-insulated-stainless-steel-kids-water-bottle (available at least as early as Mar. 22, 2019).

Ello, “Syndicate 20oz Glass Water Bottle,” accessed on-line at: <https://www.elloproducts.com/water-bottles/syndicate-20oz-glass-water-bottle> (available at least as early as Mar. 22, 2019).

Mason, “Glass Jar,” (1 page) (available at least as early as Mar. 22, 2019).

Camelbak, “Eddy+ 1L Bottle,” accessed on-line at: https://www.camelbak.com/en/bottles/R02056-Eddy_75L_2019?color=6bbd0584f3a64b0eb30d406f7e03797e (available at least as early as Mar. 22, 2019).

Contigo, “Autoseal West Loop 2.0 Stainless,” accessed on-line at: <https://www.gocontigo.com/20-oz-autoseal-west-loop-stainless-travel-mug-with-easy-clean-lid.html> (available at least as early as Mar. 22, 2019).

Contigo, “Autospout Straw Striker Chill,” accessed on-line at: <https://www.gocontigo.com/14-oz-autospout-striker-kids-water-bottle.html> (available at least as early as Mar. 22, 2019).

Zojirushi, “Travel Mug SM-YAE48,” accessed on-line at: <https://www.zojirushi.com/app/product/smyae> (available at least as early as Mar. 22, 2019).

Zojirushi, “Stainless Mug SM-KC3648,” accessed on-line at: <https://www.zojirushi.com/app/product/smkc> (available at least as early as Mar. 22, 2019).

Zojirushi, “Stainless Bottle SJ-JS10,” accessed on-line at: <https://www.zojirushi.com/app/product/sjjs> (available at least as early as Mar. 22, 2019).

Zojirushi, “Flip-and-Go Stainless Mug SM-QHE48/60,” accessed on-line at: <https://www.zojirushi.com/app/product/smqhe> (available at least as early as Mar. 22, 2019).

Zojirushi, “Stainless Mug SM-TAE48SA, Ichimatsu Collection,” accessed on-line at: <https://www.zojirushi.com/app/product/smtae> (available at least as early as Mar. 22, 2019).

Zojirushi, “Stainless Mug SM-TA36/48/60,” accessed on-line at: <https://www.zojirushi.com/app/product/smta> (available at least as early as Mar. 22, 2019).

Zojirushi, “Stainless Mug SM-SE36/48/60,” accessed on-line at: <https://www.zojirushi.com/app/product/smse> (available at least as early as Mar. 22, 2019).

Zojirushi, “Stainless Mug SM-SD36/48/60,” accessed on-line at: <https://www.zojirushi.com/app/product/smsd> (available at least as early as Mar. 22, 2019).

Zojirushi, “Stainless Mug SM-SHE48/60,” accessed on-line at: <https://www.zojirushi.com/app/product/smshe> (available at least as early as Mar. 22, 2019).

Zojirushi, “Stainless Mug SM-KHE36/48,” accessed on-line at: <https://www.zojirushi.com/app/product/smkhe> (available at least as early as Mar. 22, 2019).

Zojirushi, “Stainless Mug SM-SC36/48/60,” accessed on-line at: <https://www.zojirushi.com/app/product/smsc> (available at least as early as Mar. 22, 2019).

Zojirushi, “Stainless Mug SM-PC20/30,” accessed on-line at: <https://www.zojirushi.com/app/product/smpc> (available at least as early as Mar. 22, 2019).

Zojirushi, “Stainless Mug SM-PB30/34,” accessed on-line at: <https://www.zojirushi.com/app/product/smpb> (available at least as early as Mar. 22, 2019).

Migo, “Enjoy Sport Water Bottle,” accessed on-line at: <https://www.pinterest.ru/pin/12666442685646757/> (available at least as early as Mar. 22, 2019).

Coleman, “Switch SS,” accessed on-line at: https://www.coleman.com/all-camp-kitchen/drinkware/switch-ss/col_2038485_pr/COL_2038485 (available at least as early as Mar. 22, 2019).

Corkcicle, “Classic Arctican,” accessed on-line at: <https://corkcicle.com/products/classic-arctican?variant=475182759951> (available at least as early as Mar. 22, 2019).

Ello, “Reflex Beverage Container,” (1 page) (available at least as early as Mar. 22, 2019).

* cited by examiner

(74) *Attorney, Agent, or Firm* — Barnes & Thornburg
LLP

(57) **CLAIM**

We claim the ornamental design for a beverage container lid,
as shown and described.

DESCRIPTION

FIG. 1 is a top perspective view of the beverage container lid
according to the new design.

FIG. 2 is a bottom perspective view of the beverage con-
tainer lid shown in FIG. 1.

FIG. 3 is a rear elevation view of the beverage container lid
shown in FIG. 1.

FIG. 4 is a front elevation view of the beverage container lid
shown in FIG. 1.

FIG. 5 is a left side elevation view of the beverage container
lid shown in FIG. 1.

FIG. 6 is a right side elevation view of the beverage
container lid shown in FIG. 1.

FIG. 7 is a top plan view of the beverage container lid shown
in FIG. 1; and,

FIG. 8 is a bottom plan view of the beverage container lid
shown in FIG. 1.

The broken lines illustrating a beverage container depict
environment and form no part of the claimed design.

1 Claim, 8 Drawing Sheets

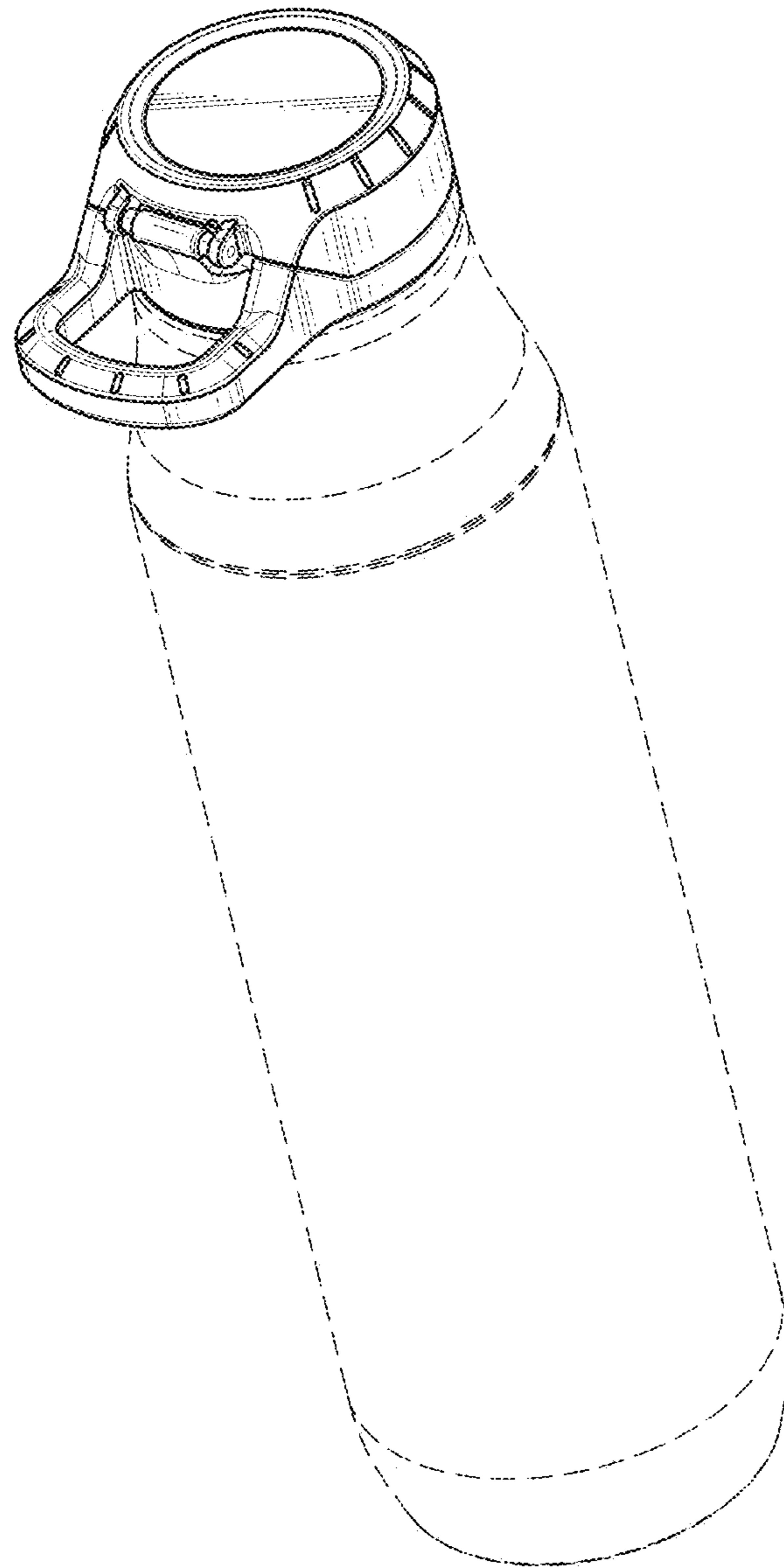


FIG. 1

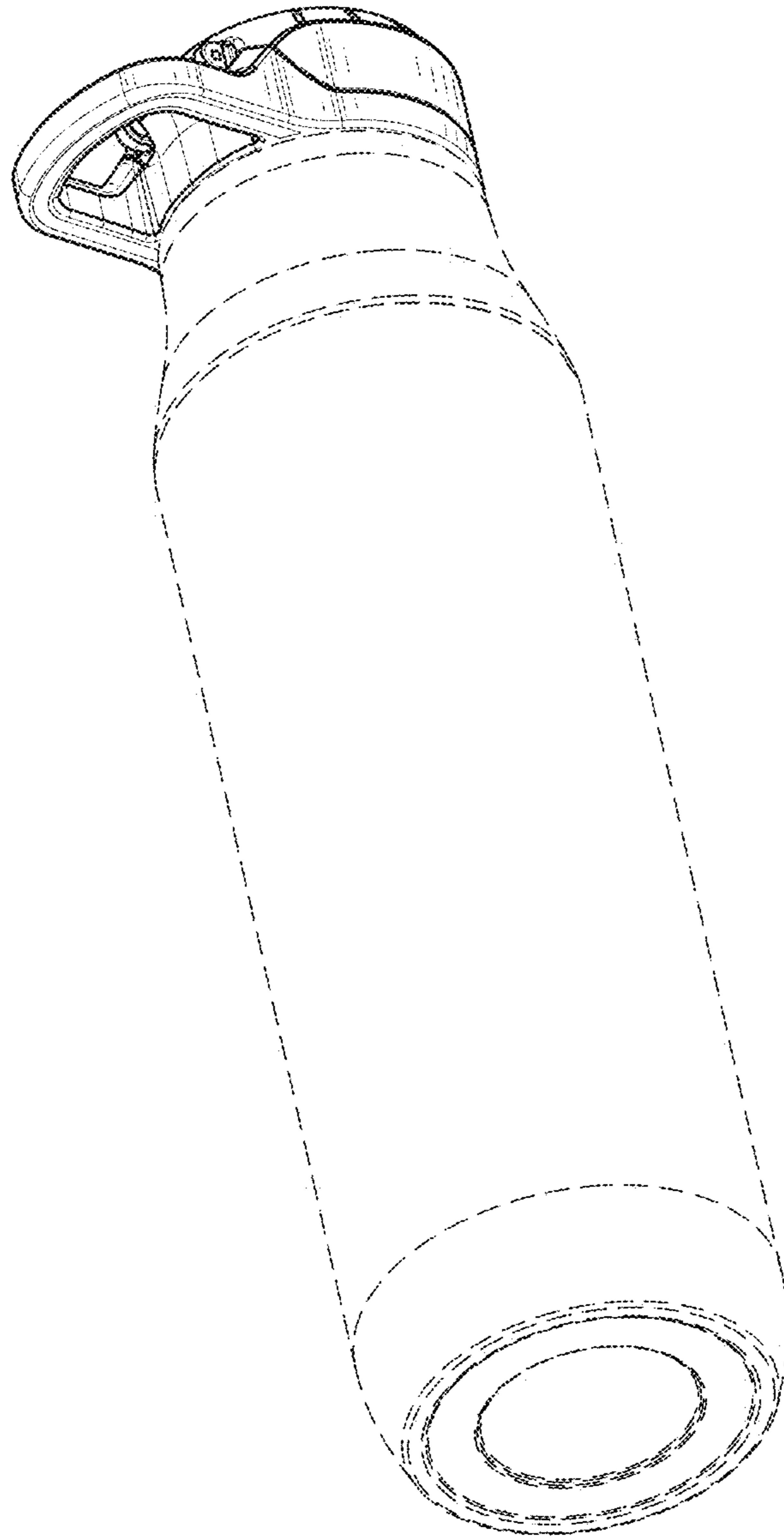


FIG. 2



FIG. 3



FIG. 4

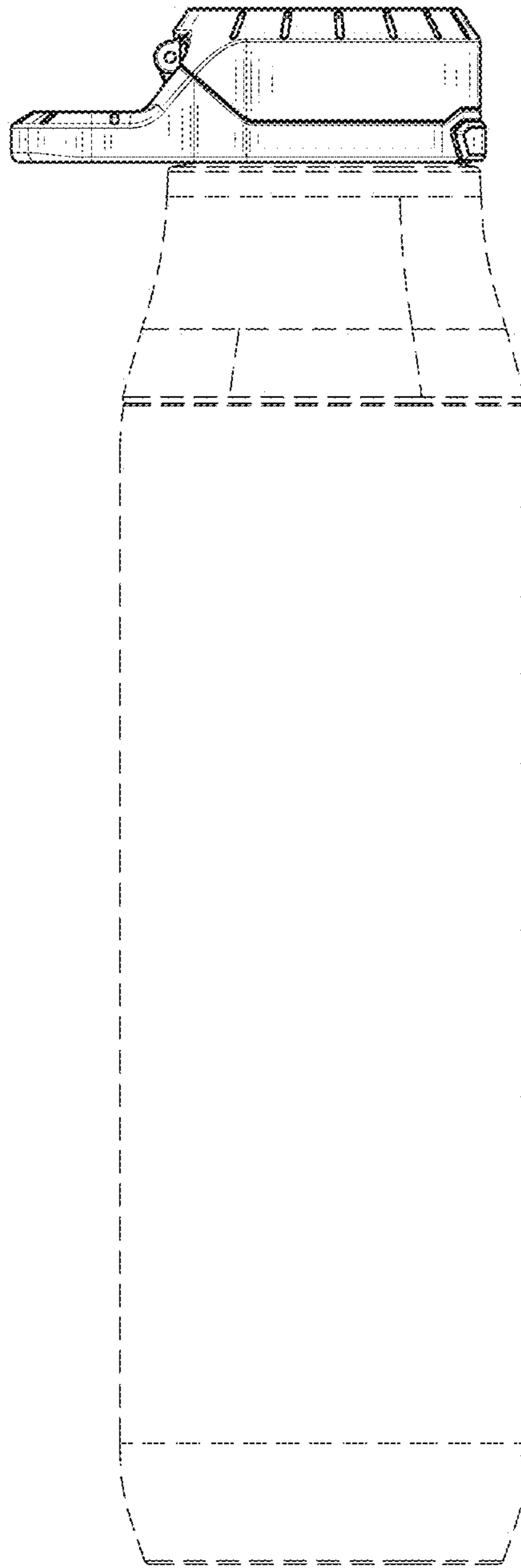


FIG. 5

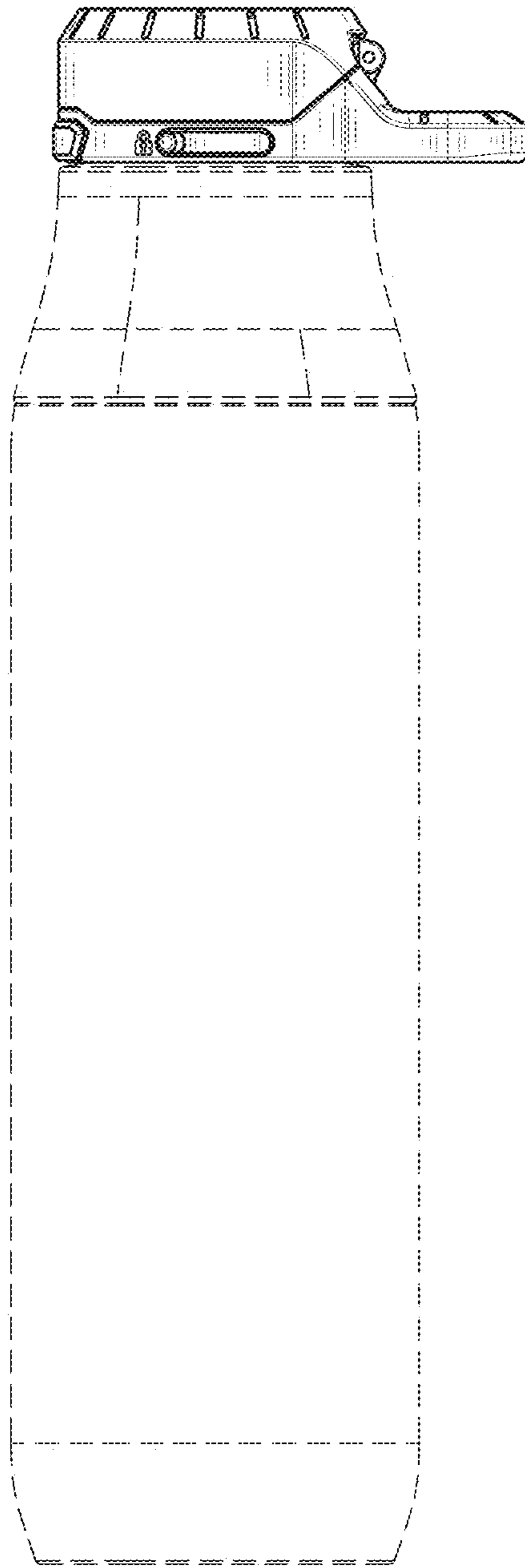


FIG. 6

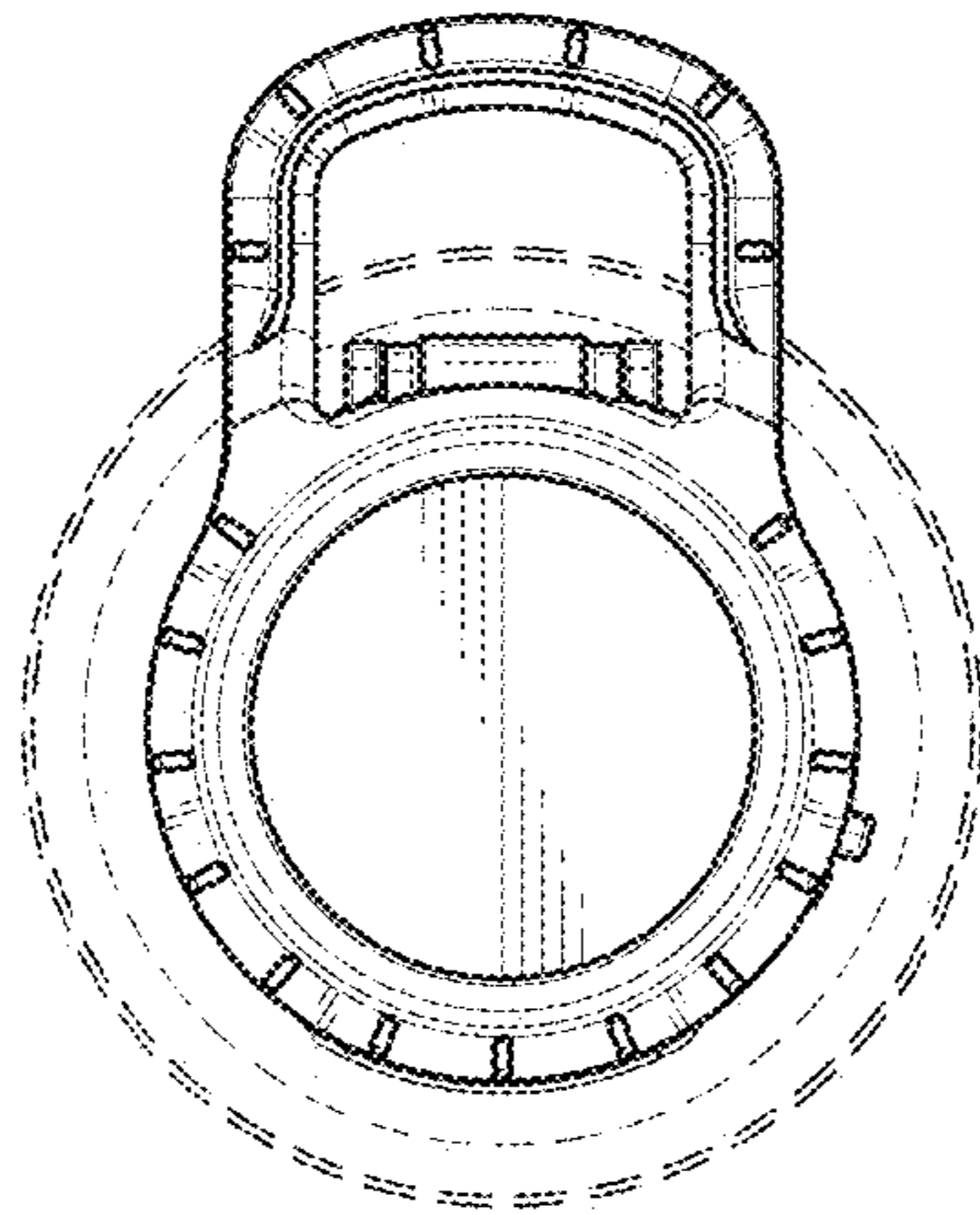


FIG. 7

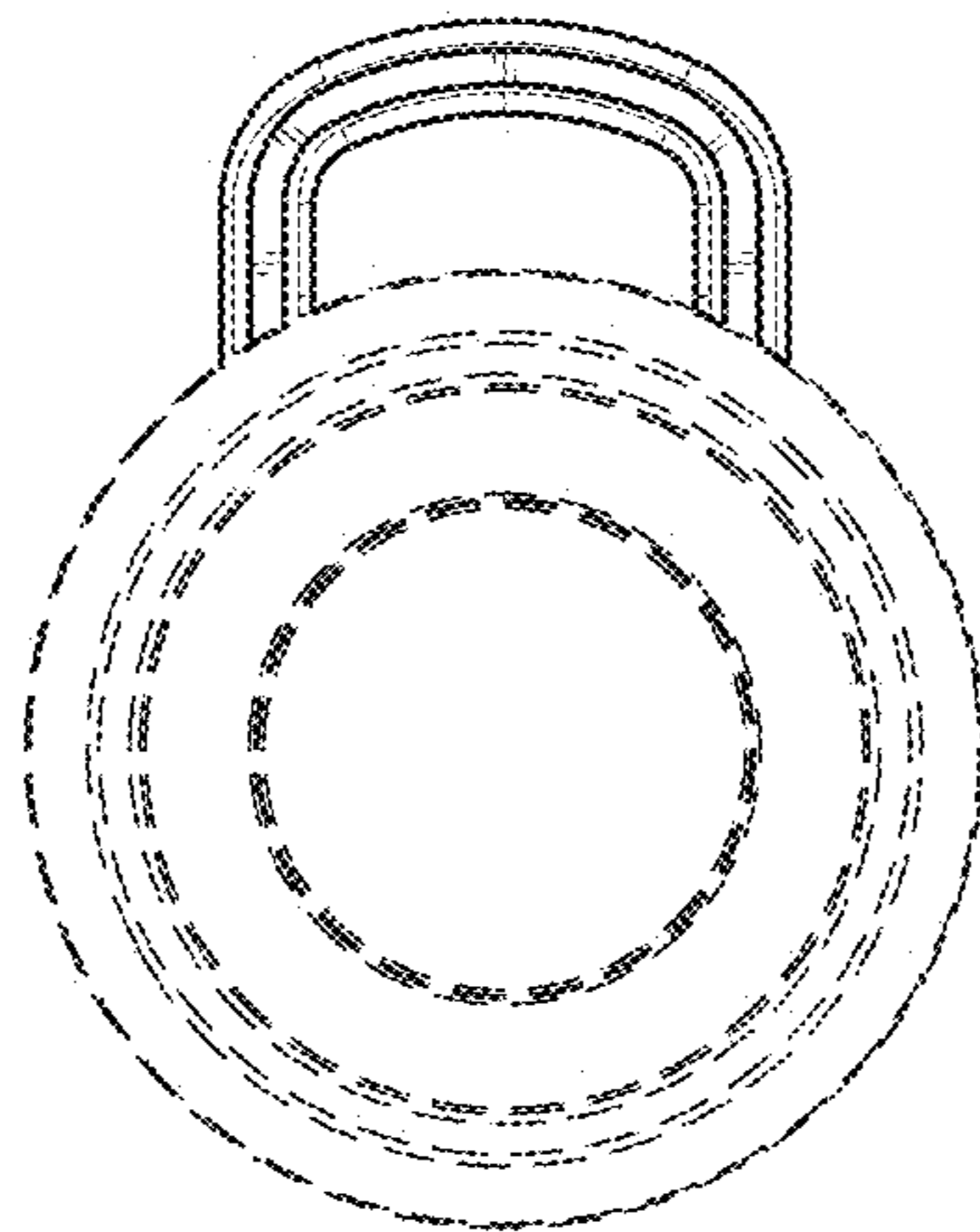


FIG. 8