



US00D982963S

(12) **United States Design Patent** (10) **Patent No.:** **US D982,963 S**
Deng et al. (45) **Date of Patent:** **** Apr. 11, 2023**

(54) **HOUSING FOR A MIXER BASE**
(71) Applicant: **SharkNinja Operating LLC**,
Needham, MA (US)
(72) Inventors: **Da Deng**, Newton, MA (US); **Trevor
Patrick Dymont**, Boston, MA (US);
Noah William Weinstock, Boston, MA
(US)
(73) Assignee: **SHARKNINJA OPERATING LLC**,
Needham, MA (US)
(**) Term: **15 Years**

(21) Appl. No.: **29/846,402**
(22) Filed: **Jul. 15, 2022**

Related U.S. Application Data

(63) Continuation-in-part of application No. 29/837,860,
filed on May 9, 2022.
(51) **LOC (14) Cl.** **31-00**
(52) **U.S. Cl.**
USPC **D7/380**; D7/376; D7/379
(58) **Field of Classification Search**
USPC D7/368, 372, 376-386, 396.1, 412-413,
D7/526, 538, 542, 562, 565, 566, 584,
D7/588, 602, 629, 665-666, 669, 679,
D7/693-694
CPC A21C 1/02; A21C 1/04; A23N 1/00; A23N
1/02; A47J 43/04; A47J 43/25; A47J
43/27; A47J 43/042; A47J 43/044; A47J
43/046; A47J 43/06; A47J 43/075; A47J
43/0705; A47J 43/0711; A47J 43/0722;
A47J 43/0727; A47J 43/1093; A47J
43/255; B01F 3/00; B01F 3/0807; B01F
3/0853; B01F 13/0059; B01F 13/0064;
B01F 35/6052; B02C 1/08; B02C 2/04;
B02C 4/42; B02C 4/142; B02C 4/143;
B02C

(Continued)

(56) **References Cited**
U.S. PATENT DOCUMENTS
D247,414 S 3/1978 Watkins et al.
D327,603 S * 7/1992 van Asten D7/378
(Continued)

FOREIGN PATENT DOCUMENTS

CN 203709876 U 7/2014
CN 105877539 A 8/2016
(Continued)

OTHER PUBLICATIONS

Oster Versatile Turbo Function Stick Mixer Hand Blender. Date
First Available on Amazon.com Jan. 10, 2020. <https://www.amazon.com/dp/B071GP9Q7X/ref> (Year: 2020).*
(Continued)

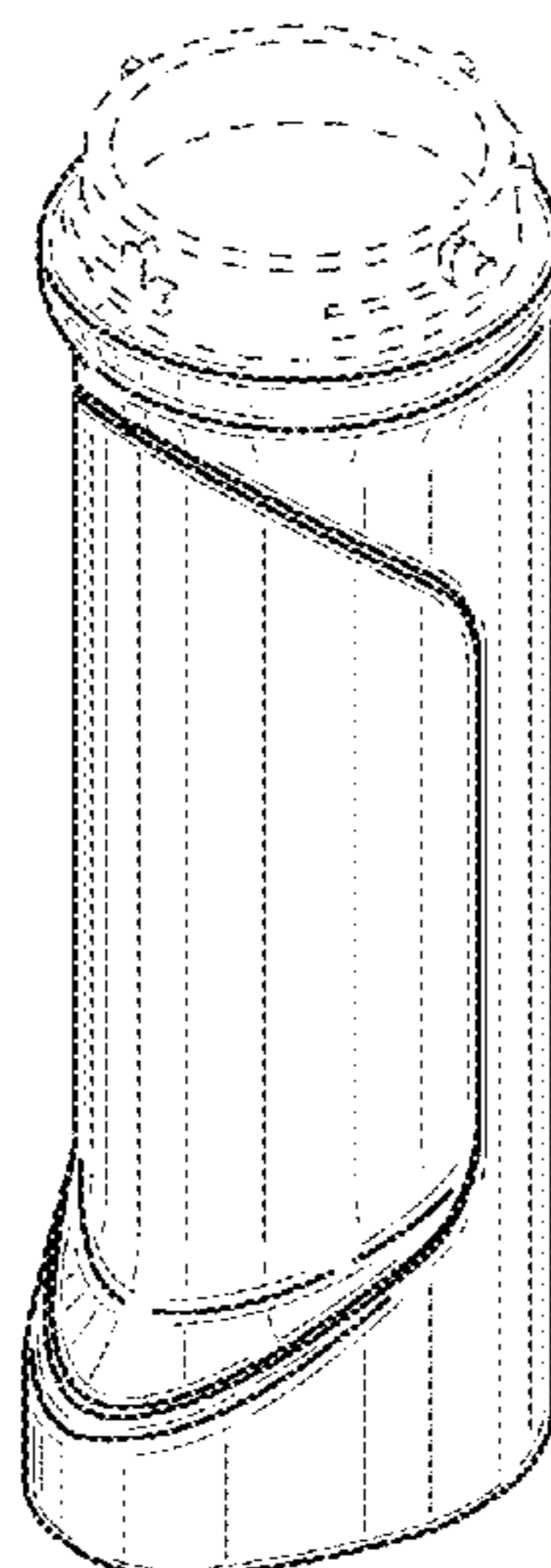
Primary Examiner — Ricky Pham
(74) *Attorney, Agent, or Firm* — Burns & Levinson, LLP;
Joseph M. Maraia

(57) **CLAIM**
The ornamental design for a housing for a mixer base, as
shown and described.

DESCRIPTION

FIG. 1 is a top, front and right side perspective view of the
housing for a mixer base, embodying our new design;
FIG. 2 is a top plan view thereof;
FIG. 3 is a bottom plan view thereof;
FIG. 4 is a left side elevation view thereof;
FIG. 5 is a front elevation view thereof;
FIG. 6 is a right side elevation view thereof; and,
FIG. 7 is a rear elevation view thereof.
The broken lines shown in the figures are for the purpose of
illustrating portions of the housing for a mixer base and form
no part of the claimed design.

1 Claim, 1 Drawing Sheet



(58) **Field of Classification Search**

CPC 4/423; B02C 13/1835; B28C 5/10; B28C 5/12; B28C 5/14; B28C 5/16

See application file for complete search history.

2007/0159917	A1	7/2007	Beesley et al.
2020/0179886	A1	6/2020	Atinaja
2021/0298530	A1	9/2021	Staun

(56)

References Cited

U.S. PATENT DOCUMENTS

D358,293	S *	5/1995	Sebastia	D7/386
D361,241	S *	8/1995	Littmann	D7/379
D367,805	S	3/1996	Pringle		
5,909,778	A	6/1999	Acosta et al.		
D590,574	S	4/2009	Pawlik		
D623,009	S *	9/2010	Bodum	D7/376
D703,481	S *	4/2014	Lownds	D7/378
D818,762	S	5/2018	Carlson		
D825,982	S *	8/2018	Davies	D7/380
10,173,188	B2 *	1/2019	Cheung	B01F 35/6052
D891,855	S *	8/2020	McConnell	D7/380
D930,424	S *	9/2021	Bourgeois	D7/378

FOREIGN PATENT DOCUMENTS

CN	106136963	A	11/2016
CN	111053479	A	4/2020
EP	2394543	A1	12/2011
EP	2394545	B1	12/2011
EP	2465396	A1	6/2012
EP	2956040	B1	12/2015
EP	3051989	A1	8/2016
WO	20140124859	A1	8/2014
WO	20150043921	A1	4/2015

OTHER PUBLICATIONS

Qinjie Hand Mixer Electric. Date first available on Amazon.com Apr. 26, 2021, URL: <https://www.amazon.com/dp/B093GYJY31/ref> (Year: 2021) [1 pg.].

* cited by examiner

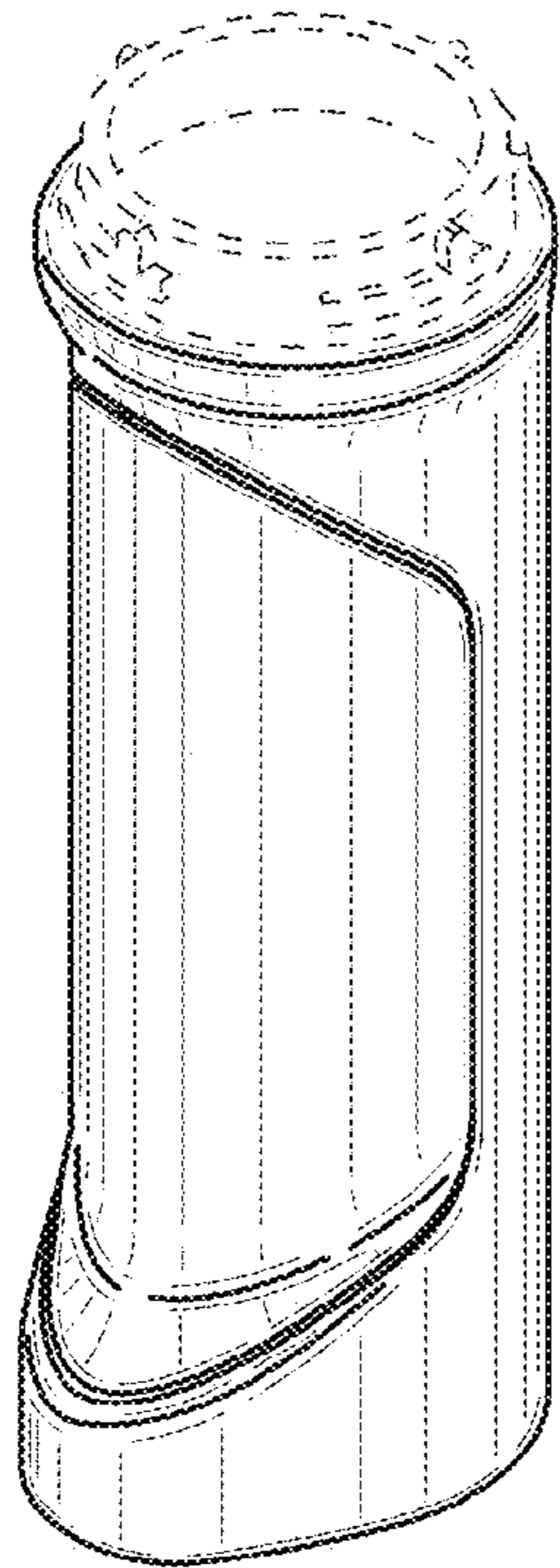


FIG. 1

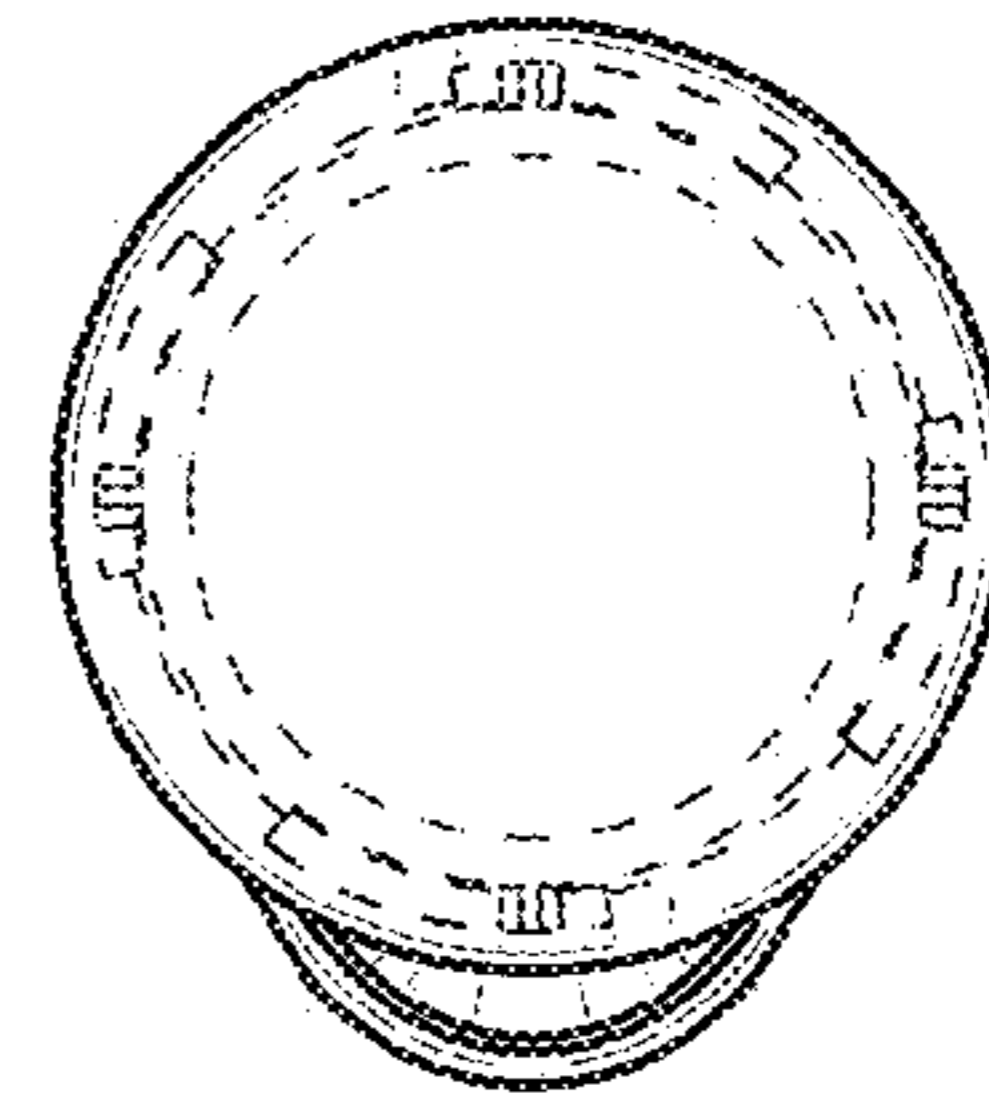


FIG. 2

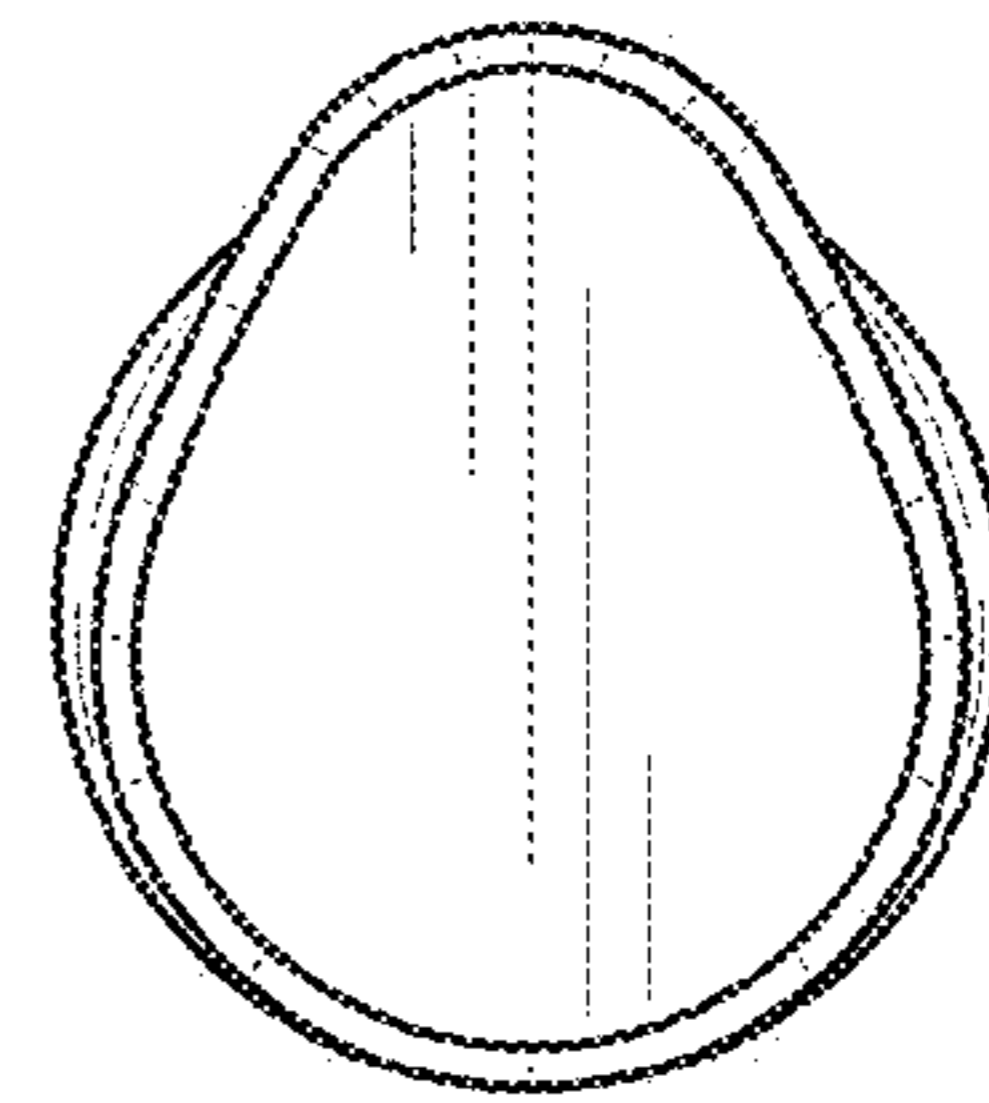


FIG. 3

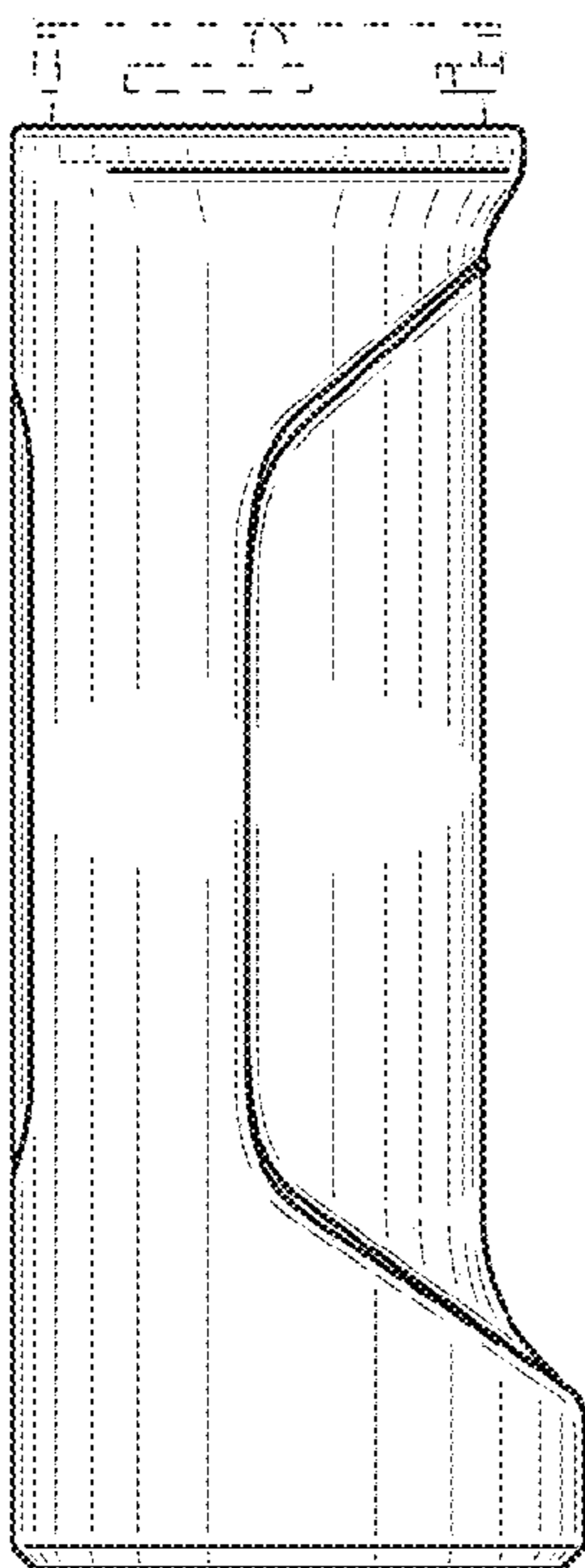


FIG. 4

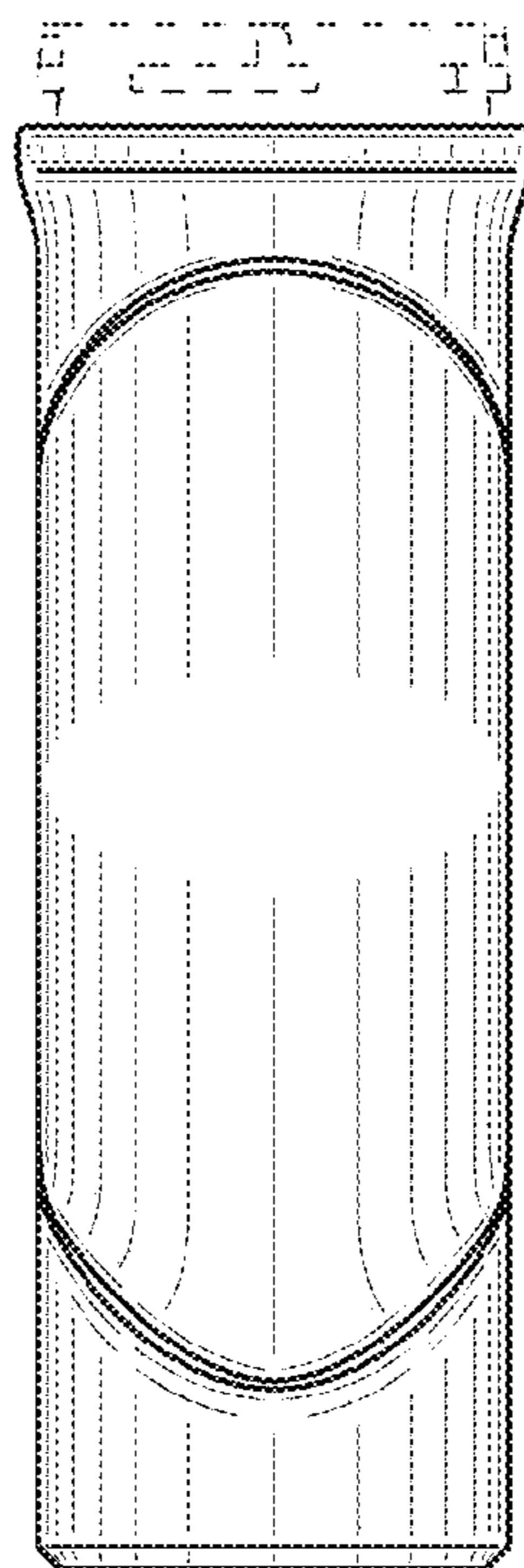


FIG. 5

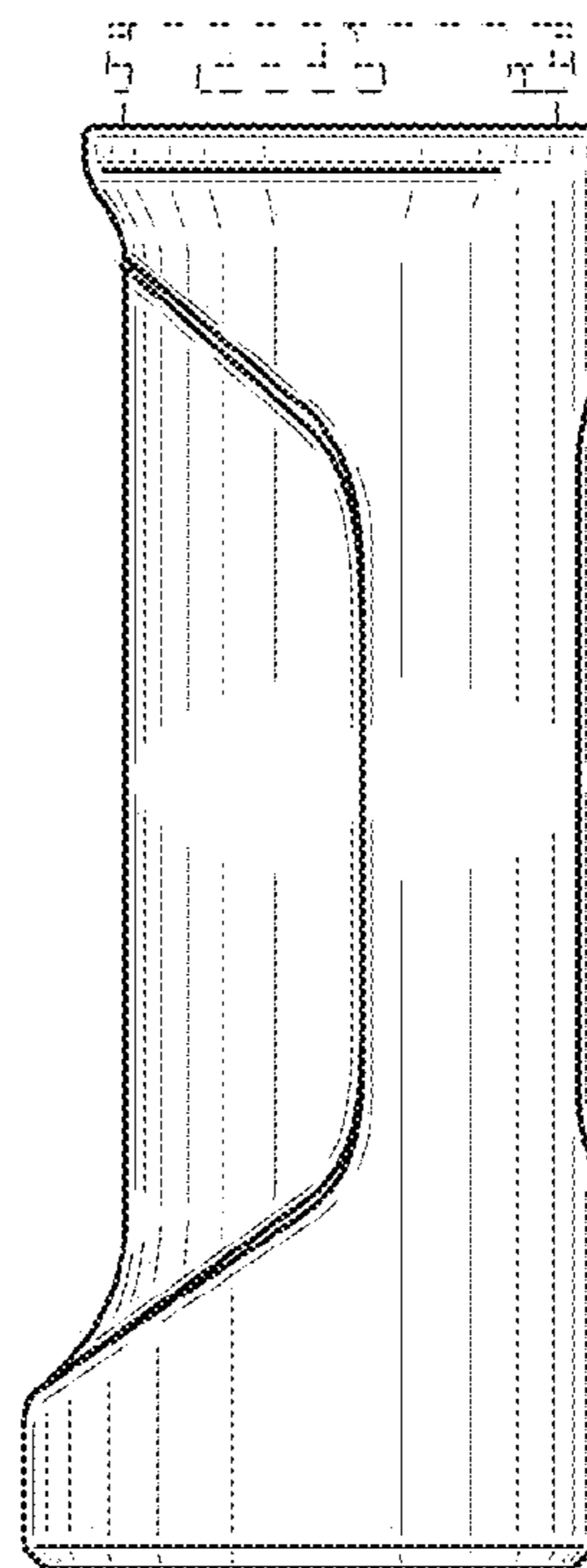


FIG. 6

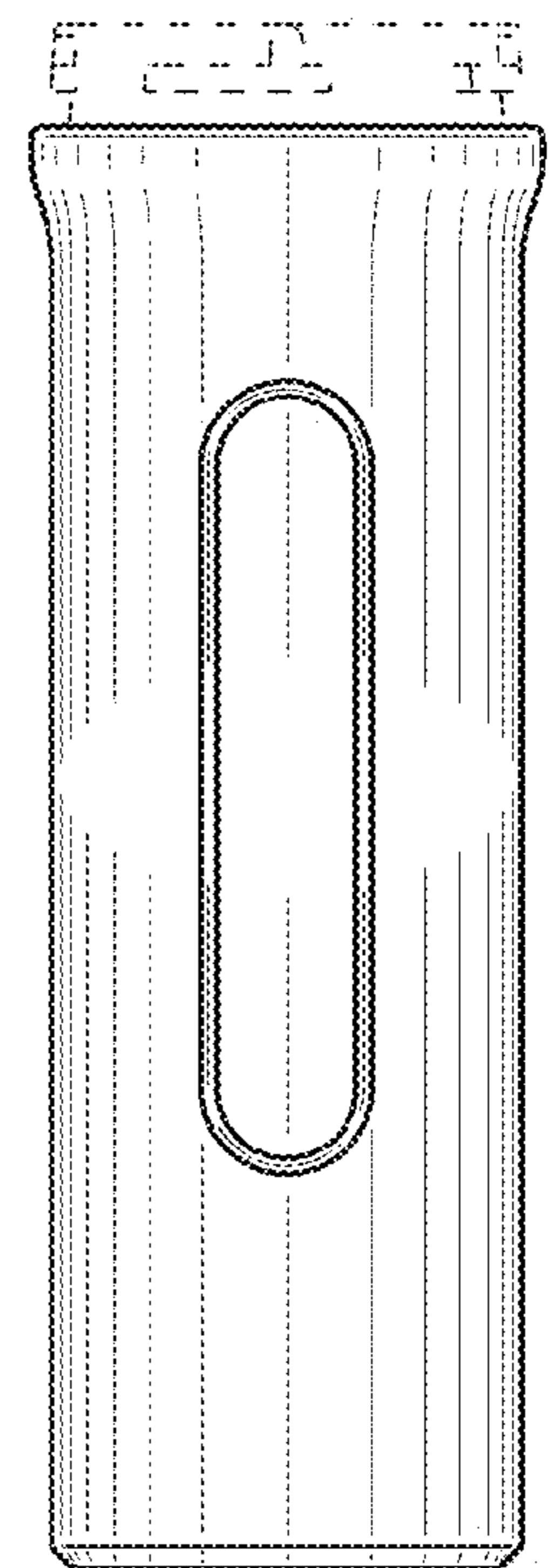


FIG. 7