



US00D982962S

(12) **United States Design Patent**
Deng et al.

(10) **Patent No.: US D982,962 S**

(45) **Date of Patent: ** Apr. 11, 2023**

(54) **HAND MIXER**

(71) Applicant: **SharkNinja Operating LLC**,
Needham, MA (US)

(72) Inventors: **Da Deng**, Newton, MA (US); **Trevor Patrick Dymont**, Boston, MA (US);
Noah William Weinstock, Boston, MA (US)

(73) Assignee: **SHARKNINJA OPERATING LLC**,
Needham, MA (US)

(**) Term: **15 Years**

(21) Appl. No.: **29/846,399**

(22) Filed: **Jul. 15, 2022**

Related U.S. Application Data

(63) Continuation-in-part of application No. 29/837,859,
filed on May 9, 2022.

(51) **LOC (14) Cl.** **31-00**

(52) **U.S. Cl.**
USPC **D7/379**; D7/376

(58) **Field of Classification Search**
USPC D7/368, 372, 376–386, 396.1, 412–413,
D7/526, 538, 542, 562, 565, 566, 584,
D7/588, 602, 629, 665–666, 669, 679,
D7/693–694; D8/30, 29.1
CPC A21C 1/02; A21C 1/04; A23N 1/00; A23N
1/02; A47J 43/04; A47J 43/25; A47J
43/27; A47J 43/042; A47J 43/044; A47J
43/046; A47J 43/06; A47J 43/075; A47J
43/0705; A47J 43/0711; A47J 43/0722;
A47J 43/0727; A47J 43/1093; A47J
43/255; B01F 3/00; B01F 3/0807; B01F
3/0853; B01F 13/0059; B01F 13/0064;
B02C 1/08; B02C 2/04; B02C 4/42;
B02C 4/142; B02C 4/143; B02C 4/423;
B02C 13/1835; B28C

(Continued)

(56) **References Cited**

U.S. PATENT DOCUMENTS

D247,414 S * 3/1978 Watkins D7/669
D327,603 S 7/1992 Van Asten

(Continued)

FOREIGN PATENT DOCUMENTS

CN 203709876 U 7/2014
CN 105877539 A 8/2016

(Continued)

OTHER PUBLICATIONS

Qinjie Hand Mixer Electric. Date First Available on Amazon.com
Apr. 26, 2021. <https://www.amazon.com/dp/B093GYJY31/ref> (Year:
2021).*

(Continued)

Primary Examiner — Ricky Pham

(74) *Attorney, Agent, or Firm* — Burns & Levinson, LLP;
Joseph M. Maraia

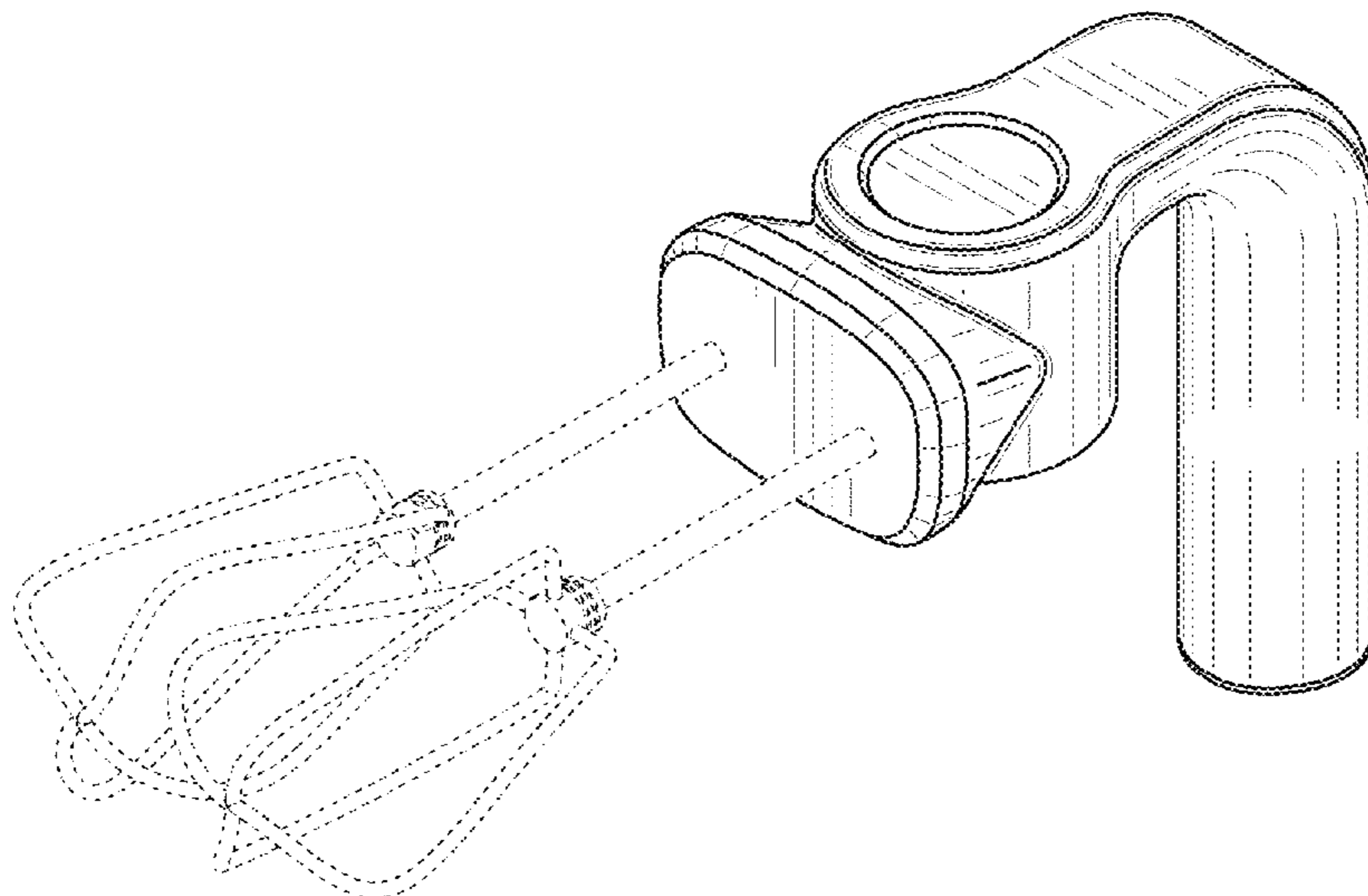
(57) **CLAIM**

The ornamental design for a hand mixer, as shown and
described.

DESCRIPTION

FIG. 1 is a top, front and right side perspective view of the
hand mixer, embodying our new design;
FIG. 2 is a front elevation view thereof;
FIG. 3 is a rear elevation view thereof;
FIG. 4 is a left side elevation view thereof;
FIG. 5 is a right side elevation view thereof.
FIG. 6 is a top plan view thereof; and,
FIG. 7 is a bottom plan view thereof.
The broken lines shown in the figures are for the purpose of
illustrating portions of the hand mixer and form no part of
the claimed design.

1 Claim, 3 Drawing Sheets



US D982,962 S

Page 2

(58) **Field of Classification Search**

CPC 5/10; B28C 5/12; B28C 5/14; B28C 5/16;
A01B 1/065

See application file for complete search history.

2007/0159917 A1 7/2007 Beesley et al.
2020/0179886 A1 6/2020 Atinaja
2021/0298530 A1 9/2021 Staun

(56)

References Cited

U.S. PATENT DOCUMENTS

D358,293 S 5/1995 Sebastia
D361,241 S 8/1995 Littmann
D367,805 S * 3/1996 Pringle D8/29.1
5,909,778 A * 6/1999 Acosta A01B 1/065
172/111
D590,674 S * 4/2009 Belanger D8/30
D623,009 S 9/2010 Bodum
D703,481 S 4/2014 Lownds
D818,762 S * 5/2018 Carlson D7/379
D825,982 S 8/2018 Davies
10,173,188 B2 1/2019 Cheung et al.
D891,855 S 8/2020 McConnell et al.
D930,424 S 9/2021 Bourgeois

FOREIGN PATENT DOCUMENTS

CN 106136963 A 11/2016
CN 111053479 A 4/2020
EP 2394543 A1 12/2011
EP 2394545 B1 12/2011
EP 2465396 A1 6/2012
EP 2956040 B1 12/2015
EP 3051989 A1 8/2016
WO 20140124859 A1 8/2014
WO 20150043921 A1 4/2015

OTHER PUBLICATIONS

Oster Versatile Turbo Function Stick Mixer Hand Blender. Date first available on Amazon.com Jan. 10, 2020, URL: <https://amazon.com/dp/B071GP9Q7X/ref> (Year: 2020) [1 pg.].

* cited by examiner

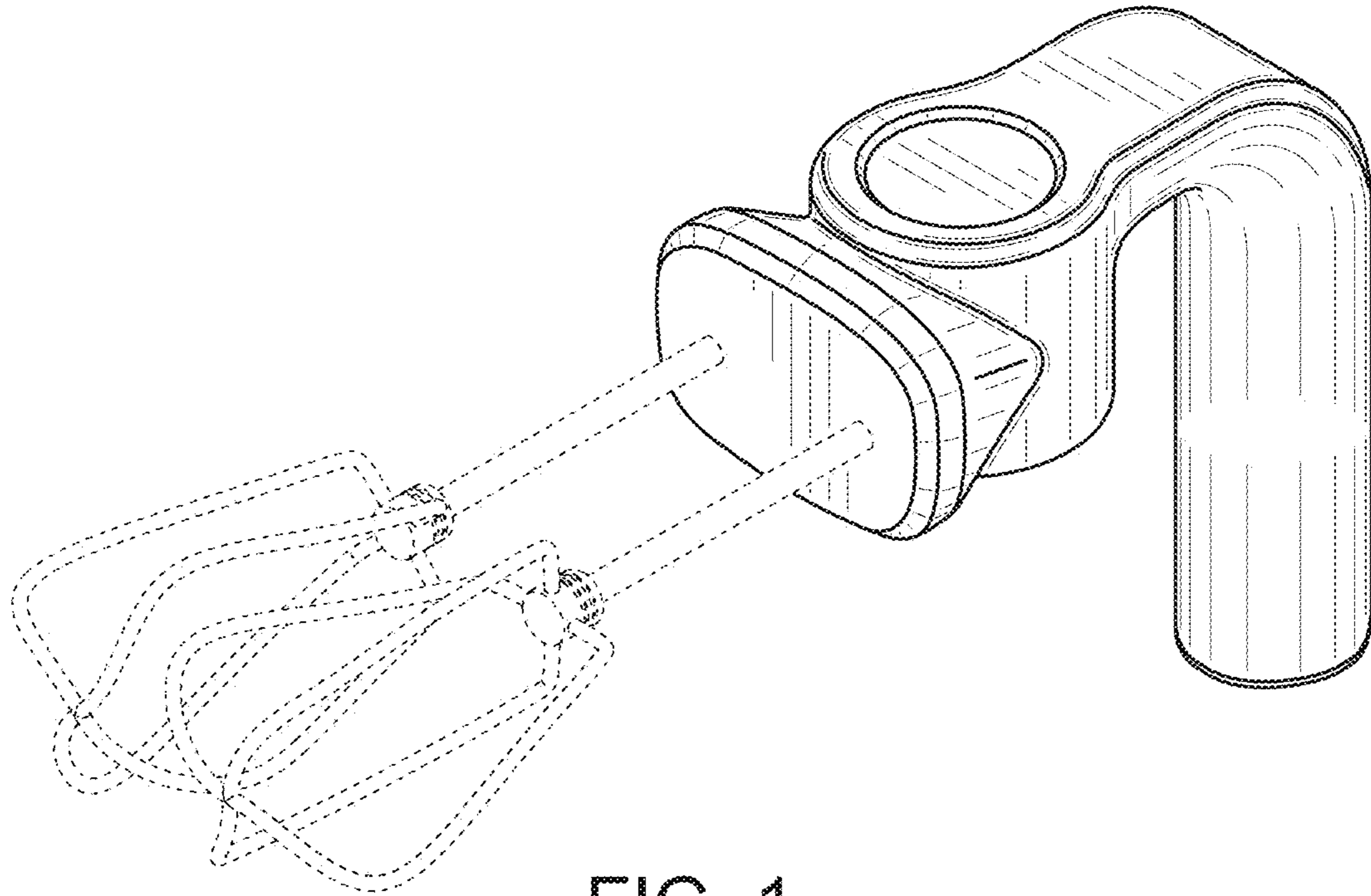


FIG. 1

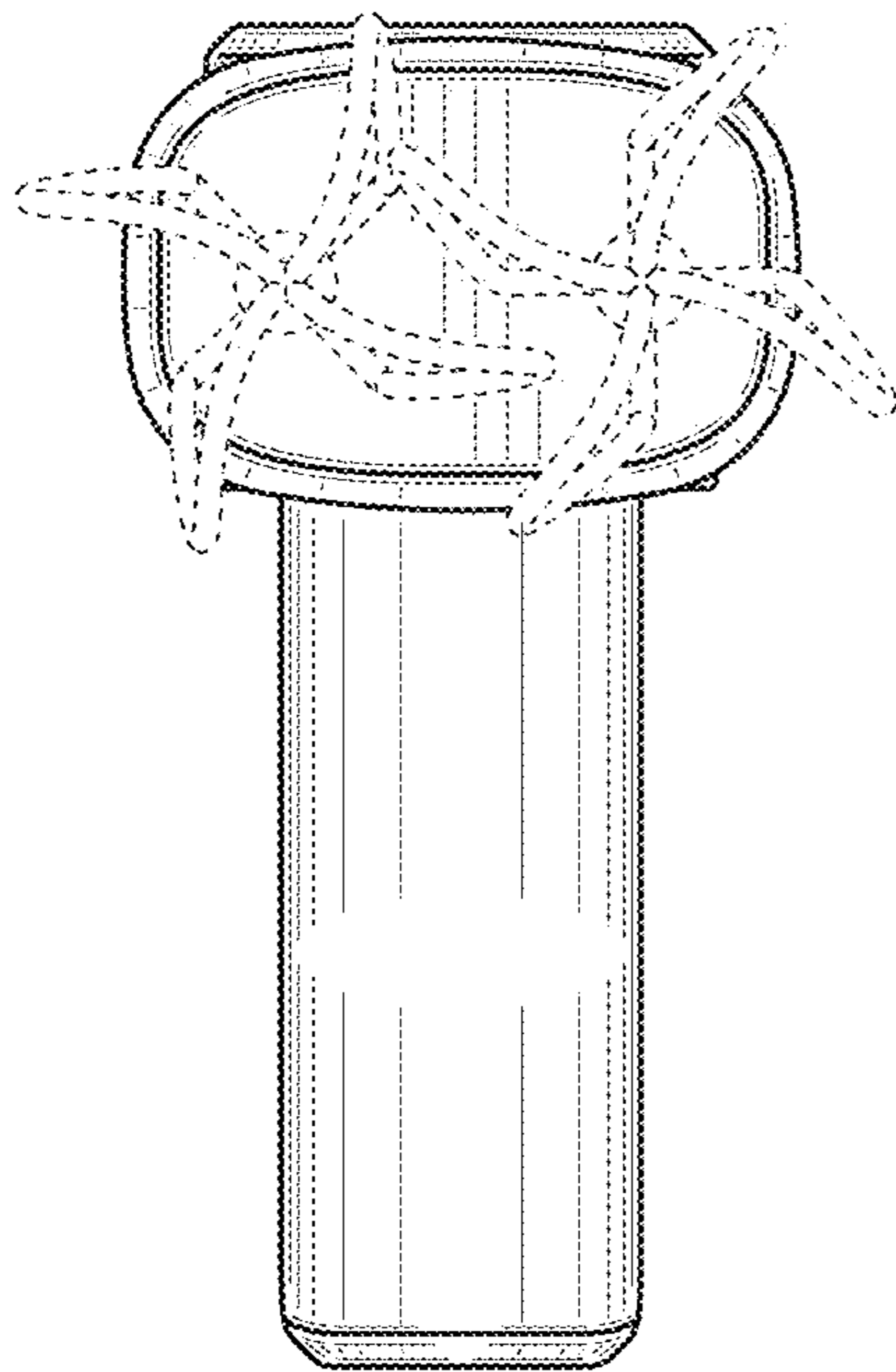


FIG. 2

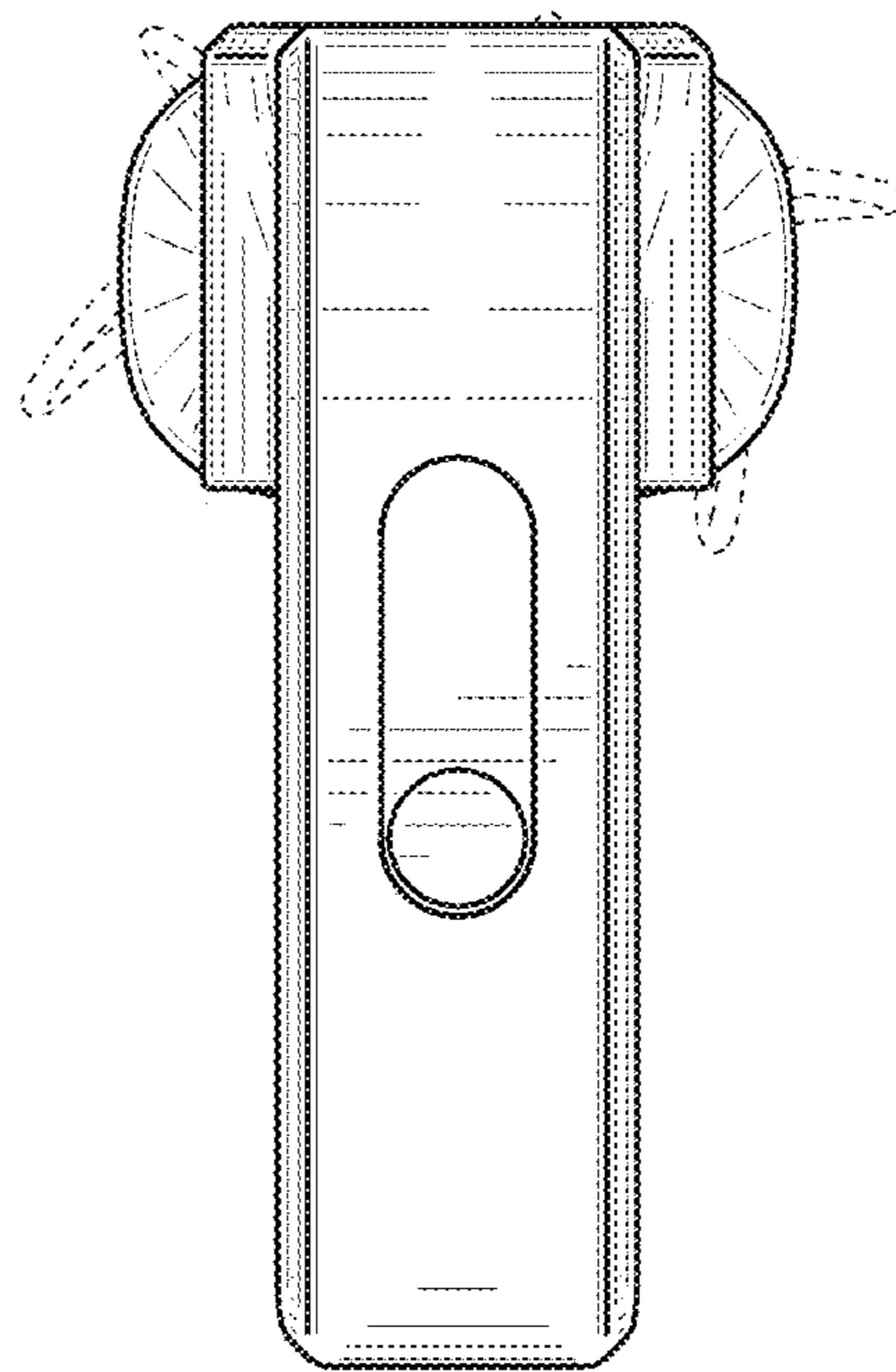


FIG. 3

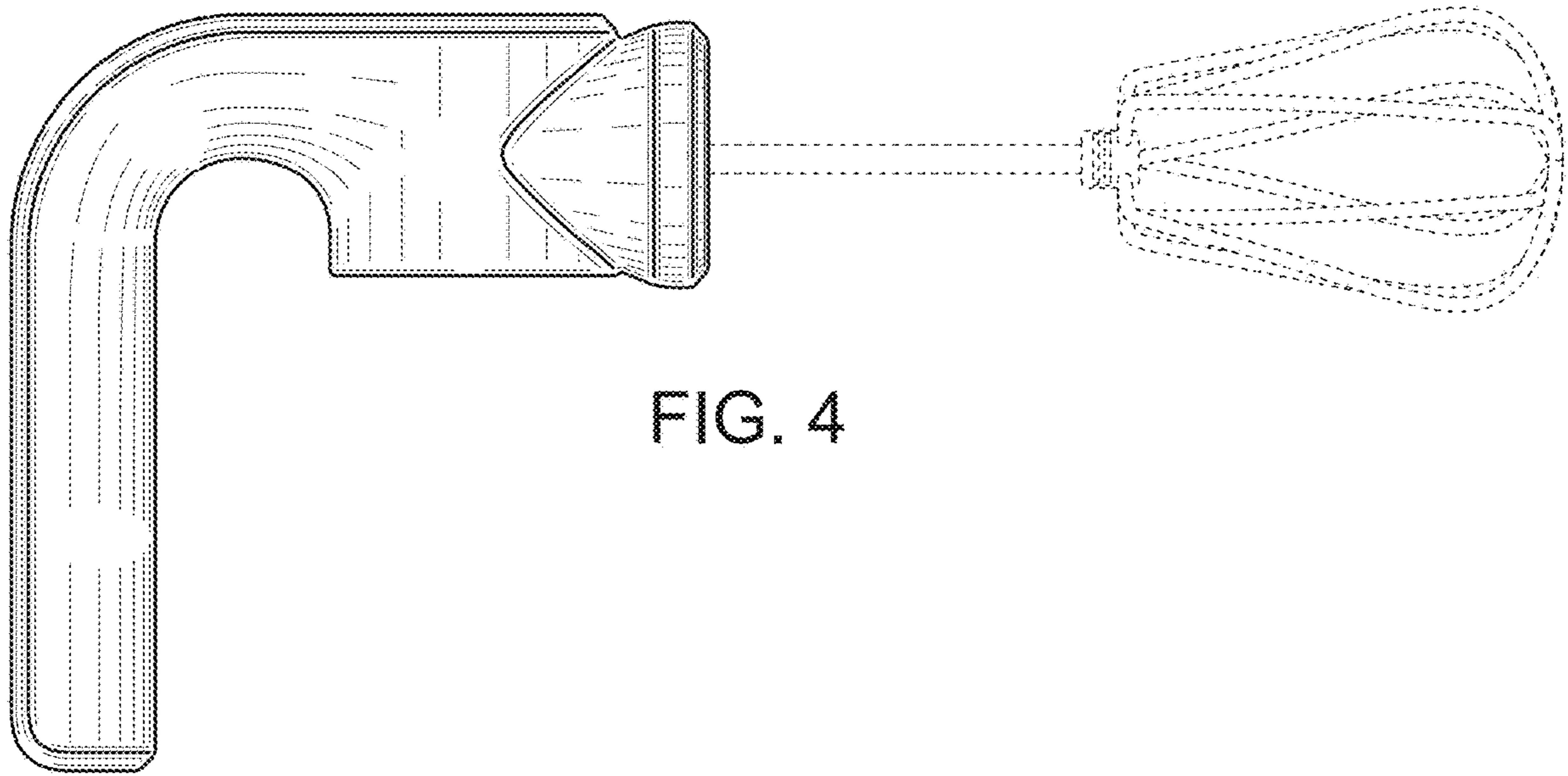


FIG. 4

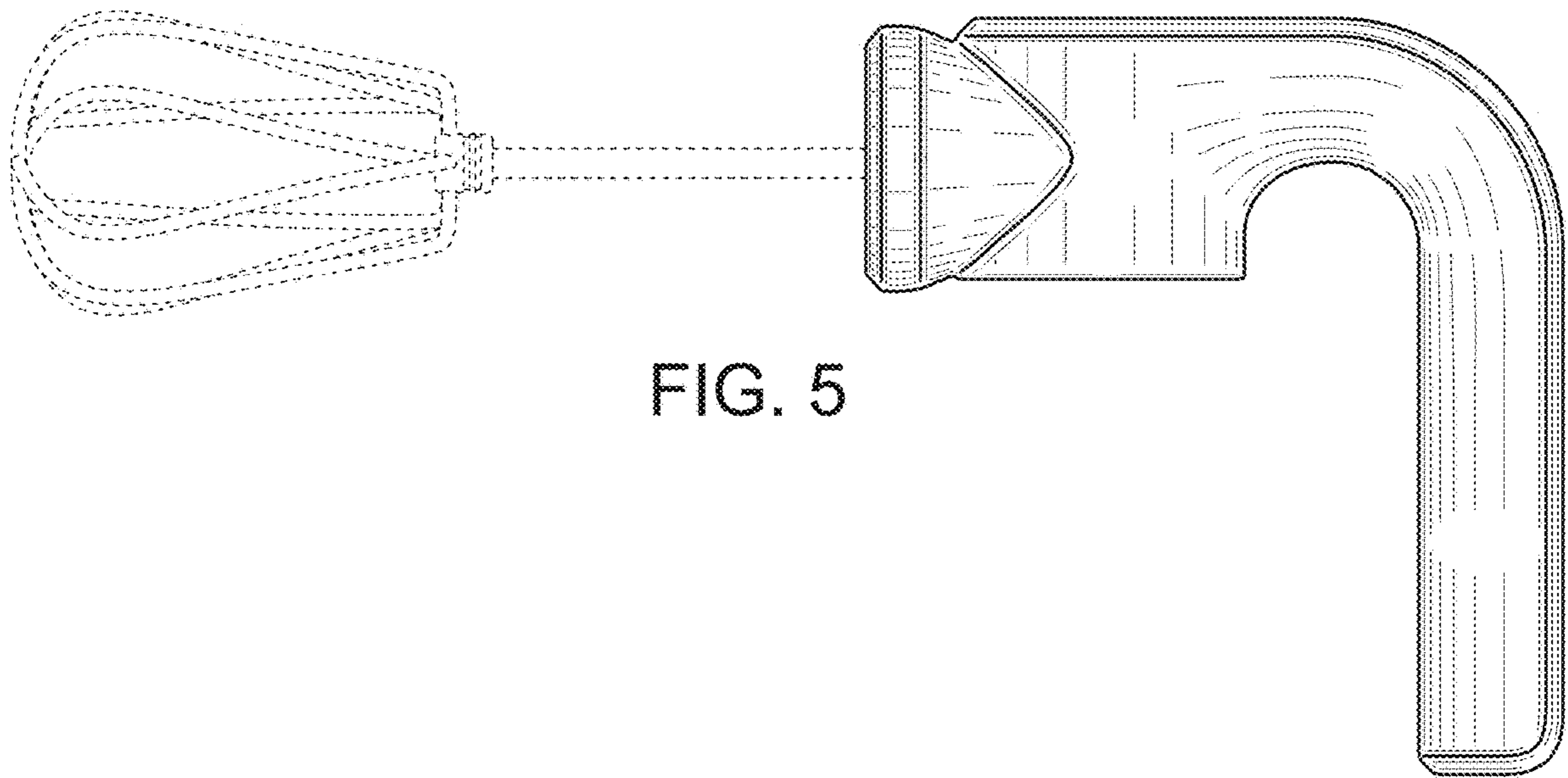


FIG. 5

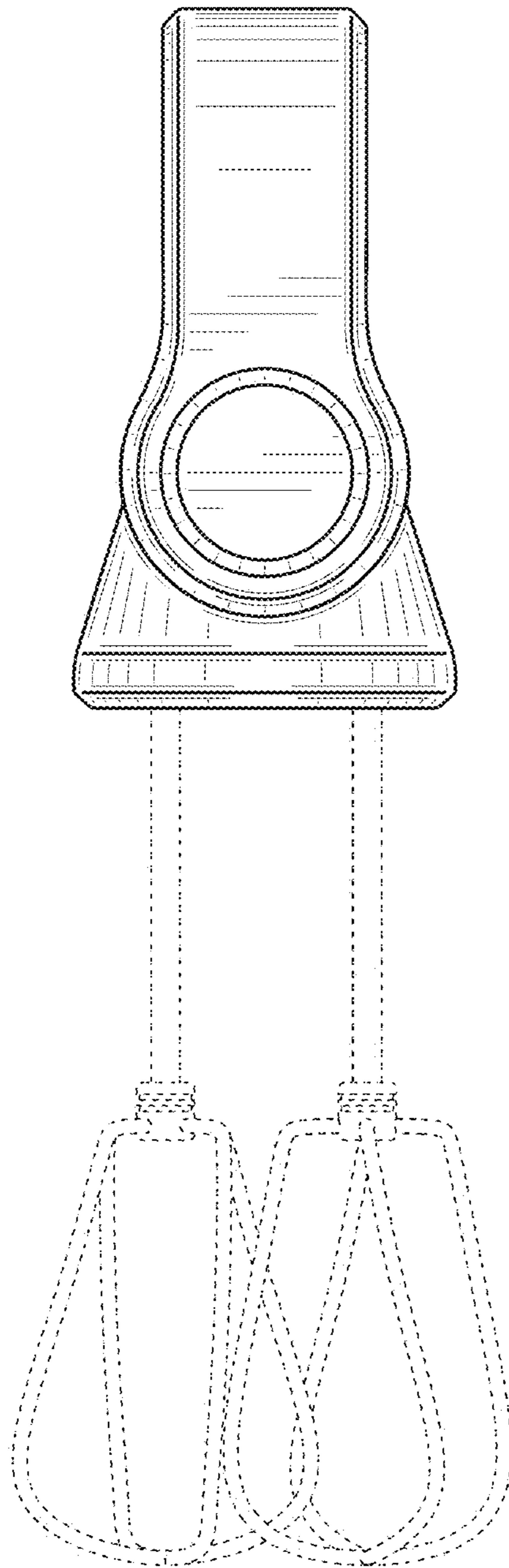


FIG. 6

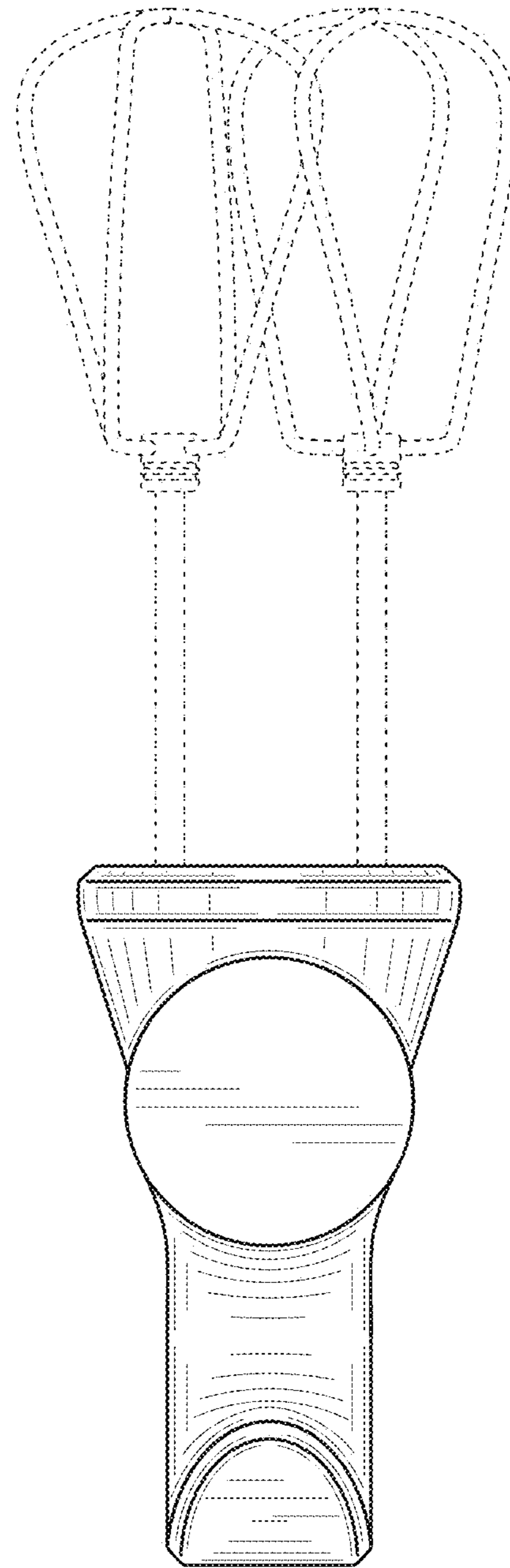


FIG. 7