



US00D982961S

(12) **United States Design Patent**
Liang

(10) **Patent No.:** **US D982,961 S**
(45) **Date of Patent:** **** Apr. 11, 2023**

- (54) **ELECTRIC HOT POT**
- (71) Applicant: **Yanxi Liang**, Chaozhou (CN)
- (72) Inventor: **Yanxi Liang**, Chaozhou (CN)
- (*) Notice: Patent file contains an affidavit/declaration under 37 CFR 1.130(b).
- (**) Term: **15 Years**
- (21) Appl. No.: **29/848,761**
- (22) Filed: **Aug. 4, 2022**
- (51) **LOC (14) Cl.** **07-02**
- (52) **U.S. Cl.**
USPC **D7/361; D7/354**
- (58) **Field of Classification Search**
USPC D7/323, 354–363, 391, 393–396, 409, D7/546, 555
CPC A47G 19/02; A47G 19/12; A47J 27/00; A47J 27/002; A47J 27/08; A47J 27/21; A47J 27/58; A47J 36/025; A47J 36/06; A47J 36/12; A47J 37/00; A47J 37/10; A47J 37/101; A47J 37/103; A47J 37/12; A47J 37/1204; A47J 45/061; A47J 45/071; A47J 45/08; H05B 6/12
See application file for complete search history.

D184,422 S *	2/1959	Cromheim	D7/361
D598,701 S	8/2009	Okajima		
D620,743 S *	8/2010	Hsiao	D7/354
D716,600 S *	11/2014	Dutruel	D7/354
D747,133 S *	1/2016	Dutruel	D7/354

OTHER PUBLICATIONS

Audecook Electric Hot Pot. Date First Available on Amazon.com Jul. 12, 2022. [https://www.amazon.com/dp/B0B6BBGJGL/ref\(Year:2022\).*](https://www.amazon.com/dp/B0B6BBGJGL/ref(Year:2022).*)

* cited by examiner

Primary Examiner — Ricky Pham

(57) **CLAIM**

The ornamental design for an electric hot pot, as shown and described.

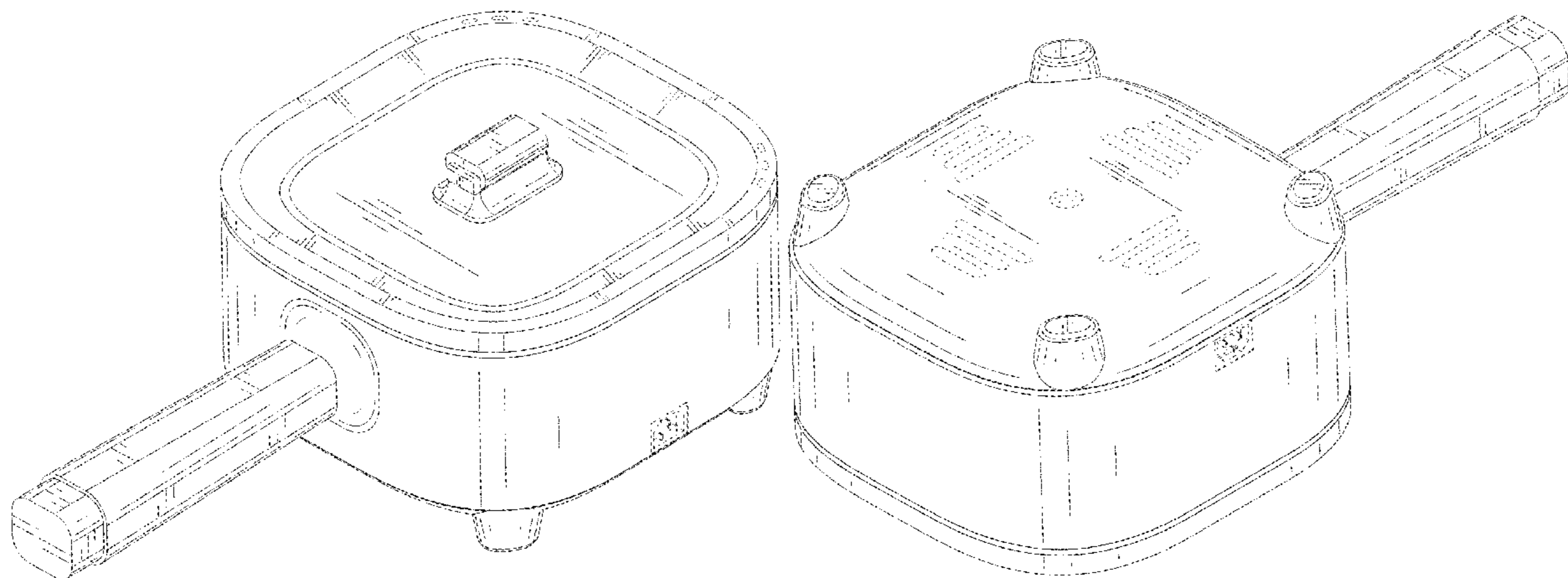
DESCRIPTION

FIG. 1 is a front and top perspective view of an electric hot pot, showing my new design;
 FIG. 2 is a rear and bottom perspective view thereof;
 FIG. 3 is a front elevation view thereof;
 FIG. 4 is a rear elevation view thereof;
 FIG. 5 is a left side elevation view thereof;
 FIG. 6 is a right side elevation view thereof;
 FIG. 7 is a top plan view thereof; and,
 FIG. 8 is a bottom plan view thereof.

The broken lines in the figures illustrate portions of the electric hot pot that form no part of the claimed design.

1 Claim, 8 Drawing Sheets

- (56) **References Cited**
U.S. PATENT DOCUMENTS
D176,389 S * 12/1955 Theisen D7/361
D181,656 S * 12/1957 Jepson et al. D7/361



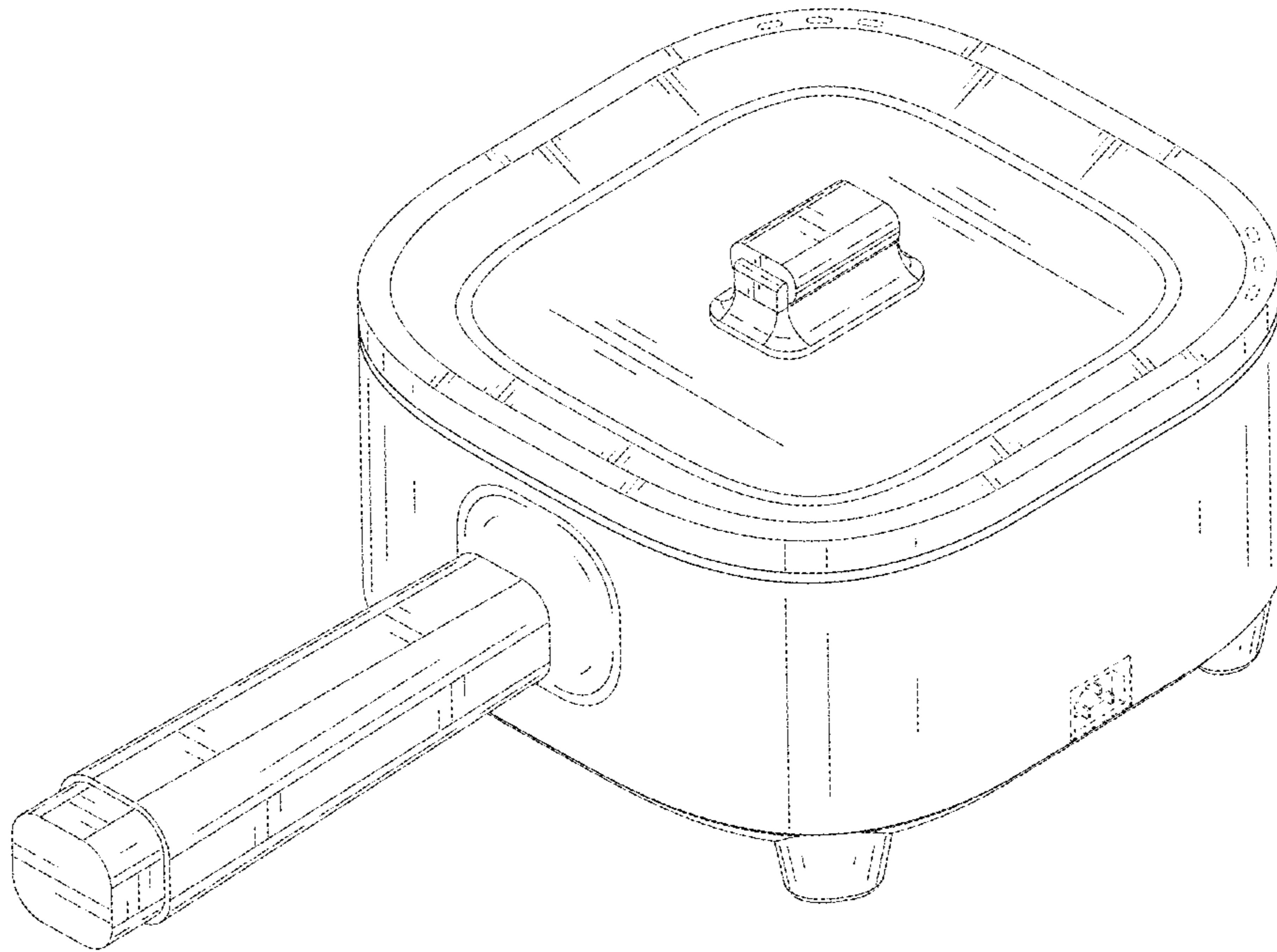


FIG. 1

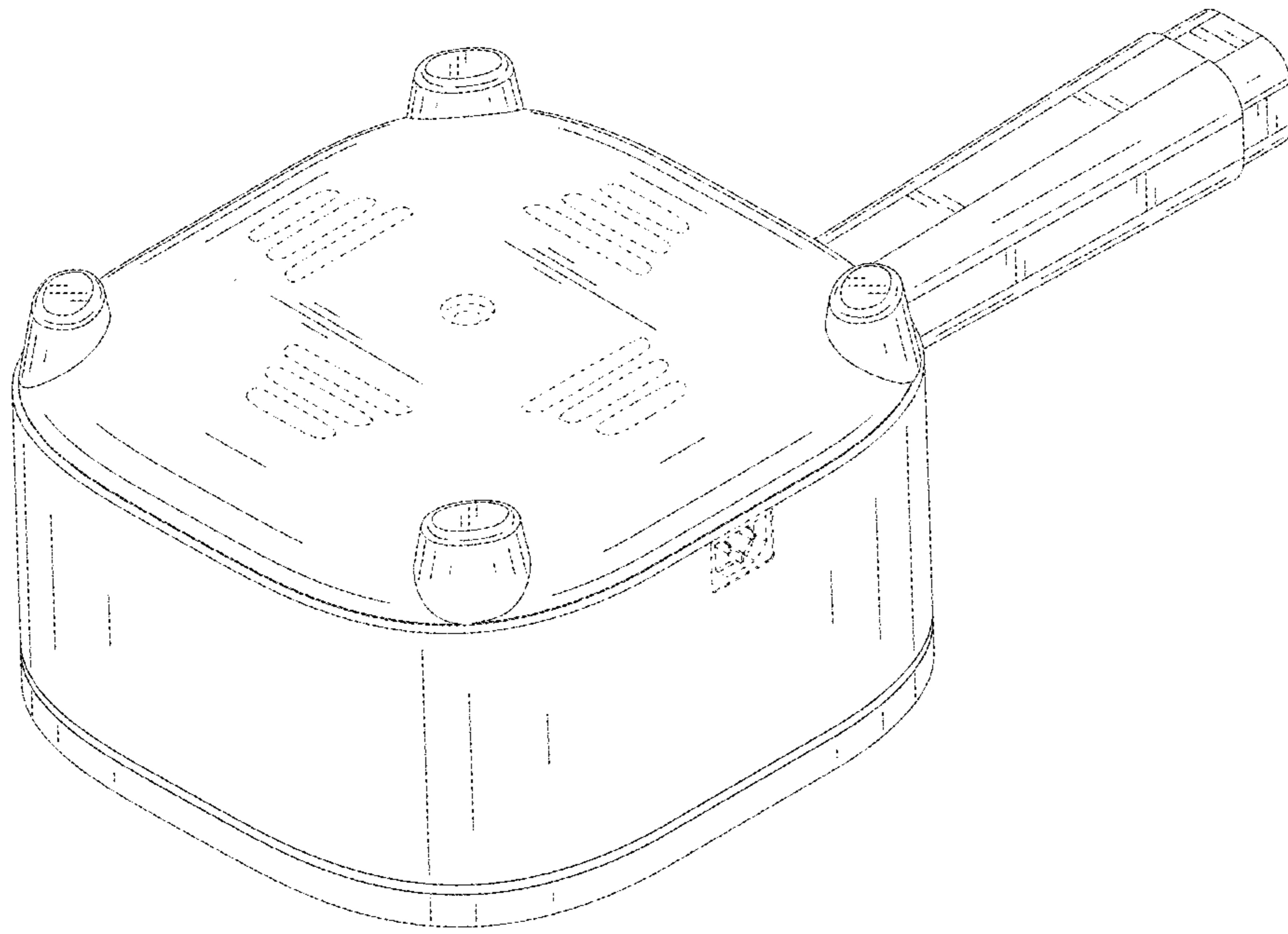


FIG.2

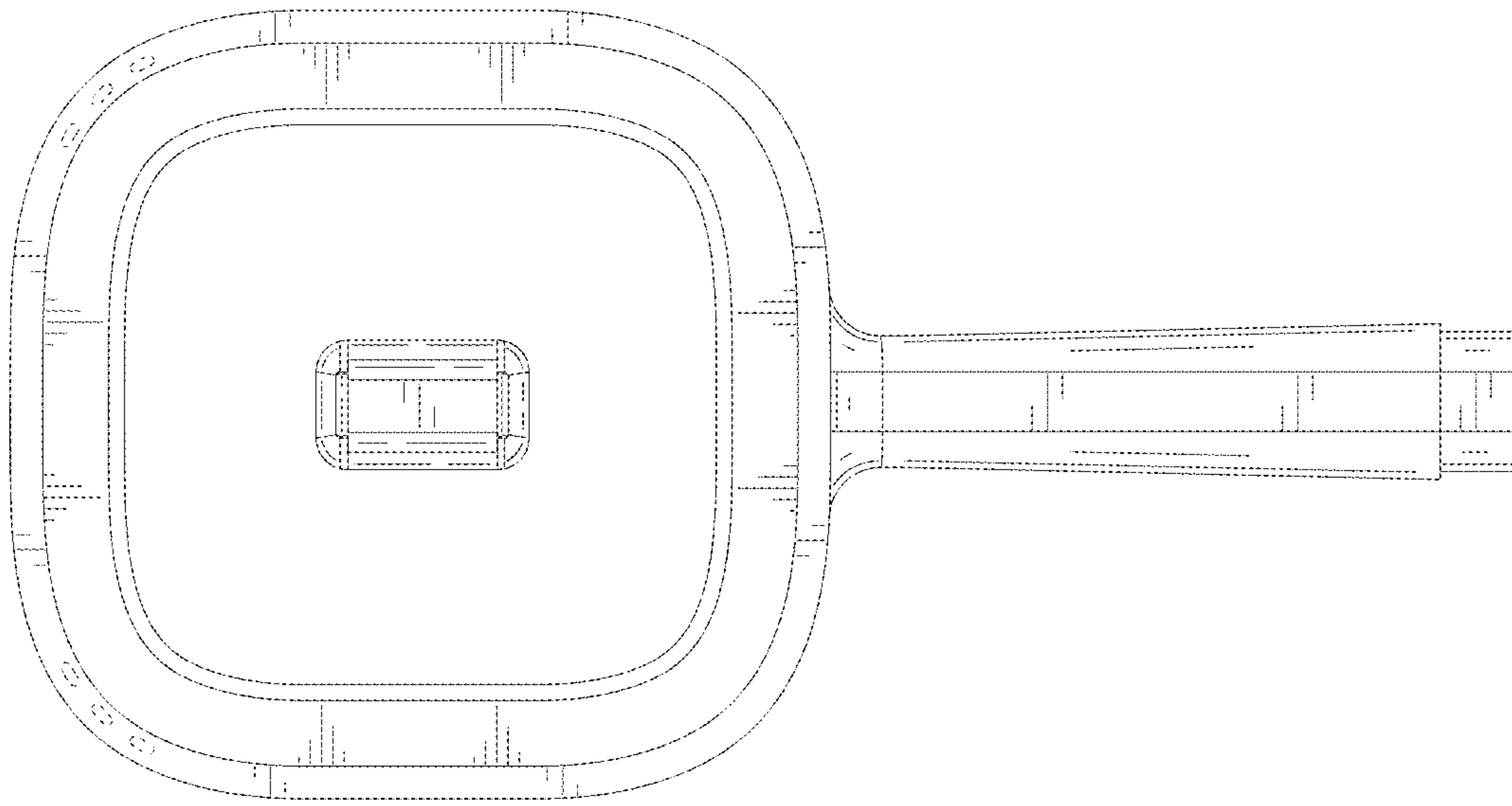


FIG.3

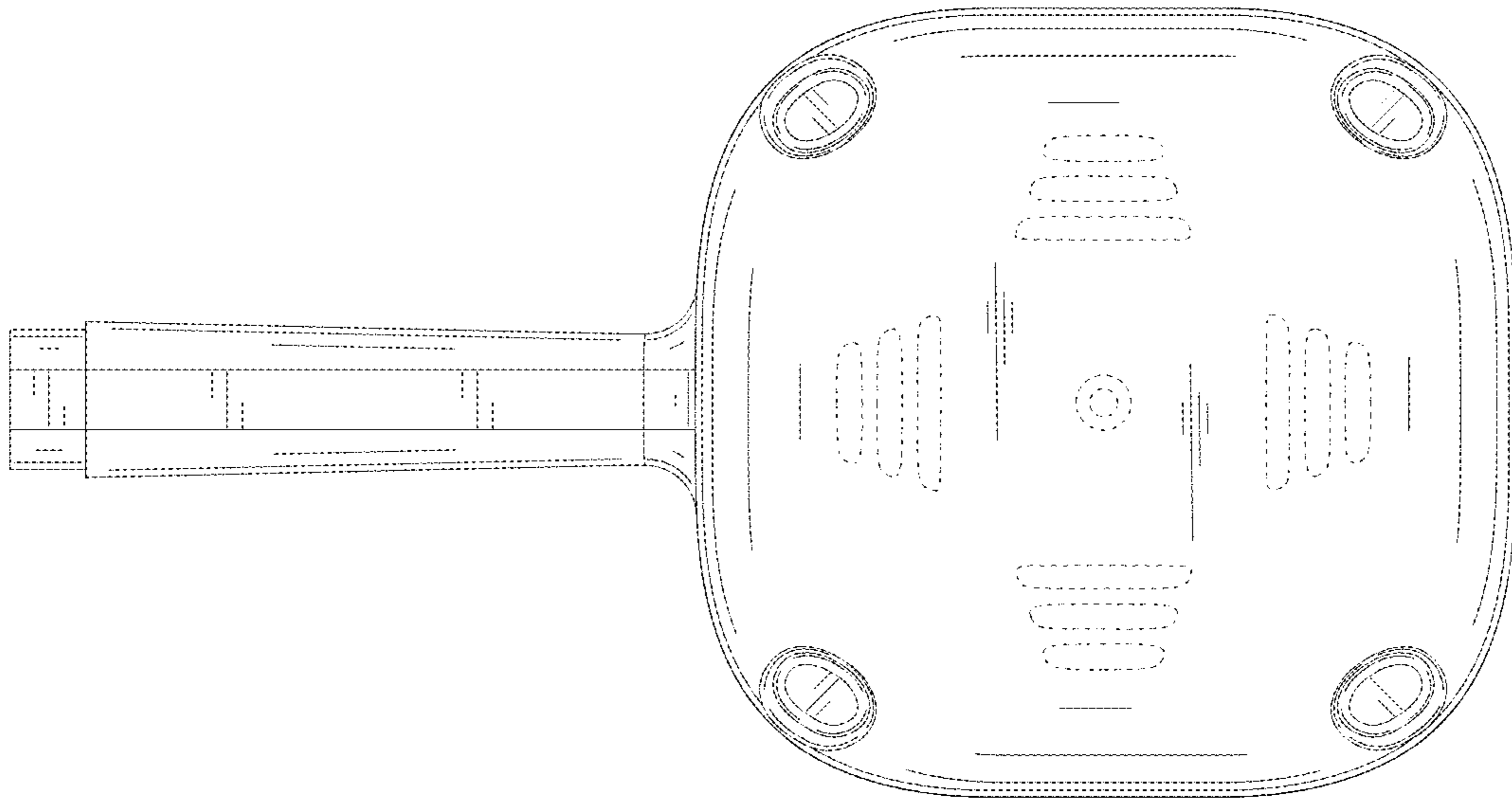


FIG.4

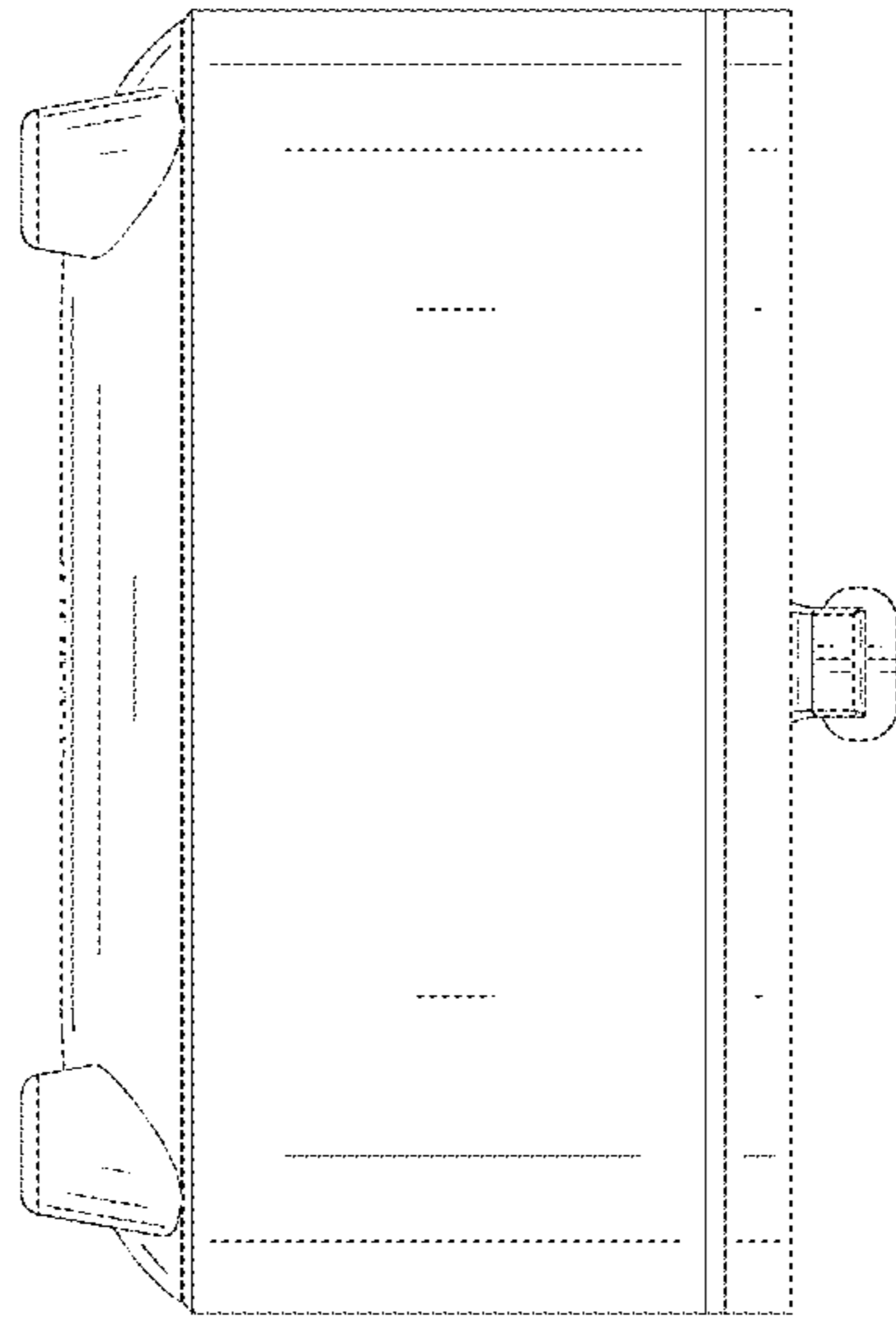


FIG.5

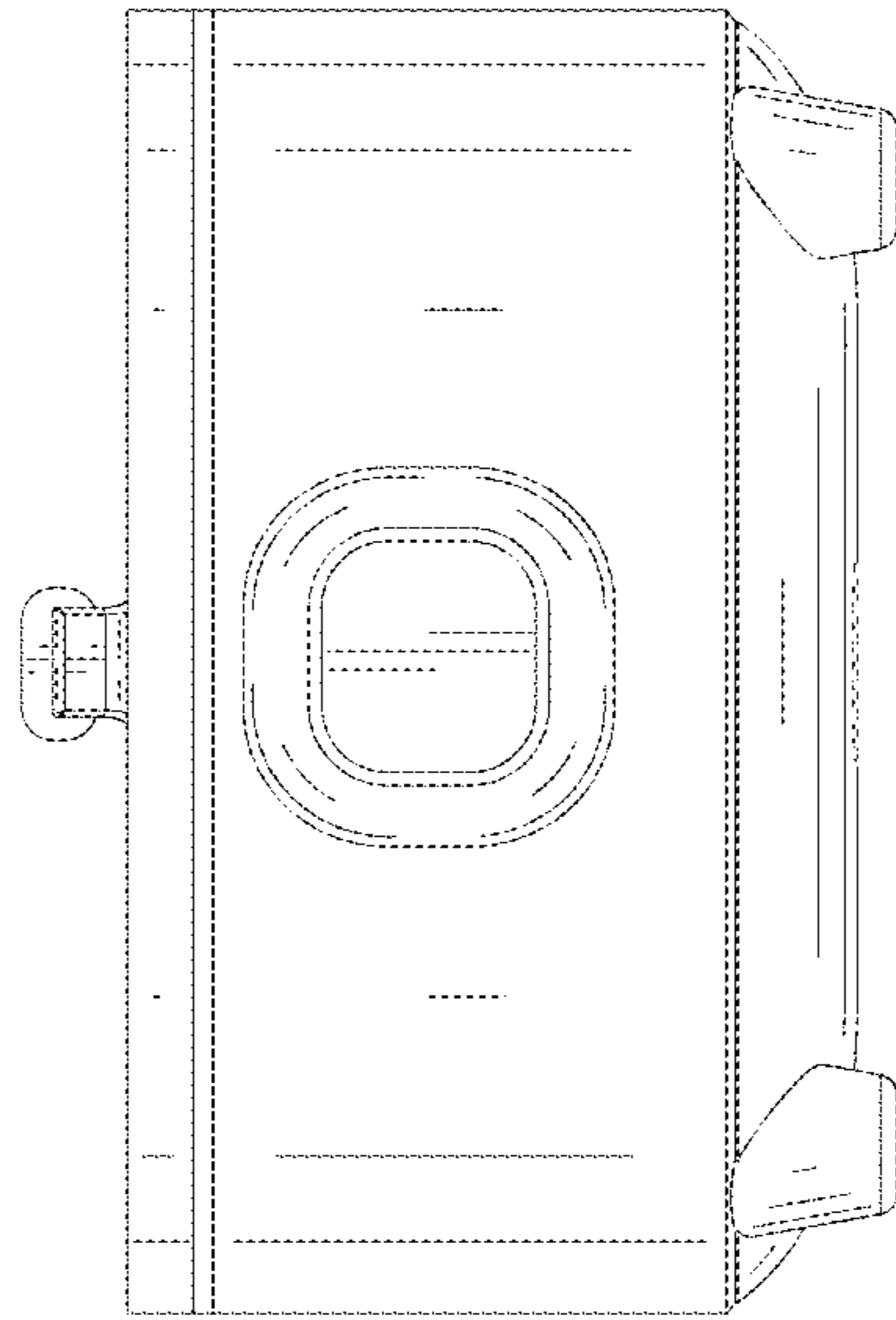


FIG.6

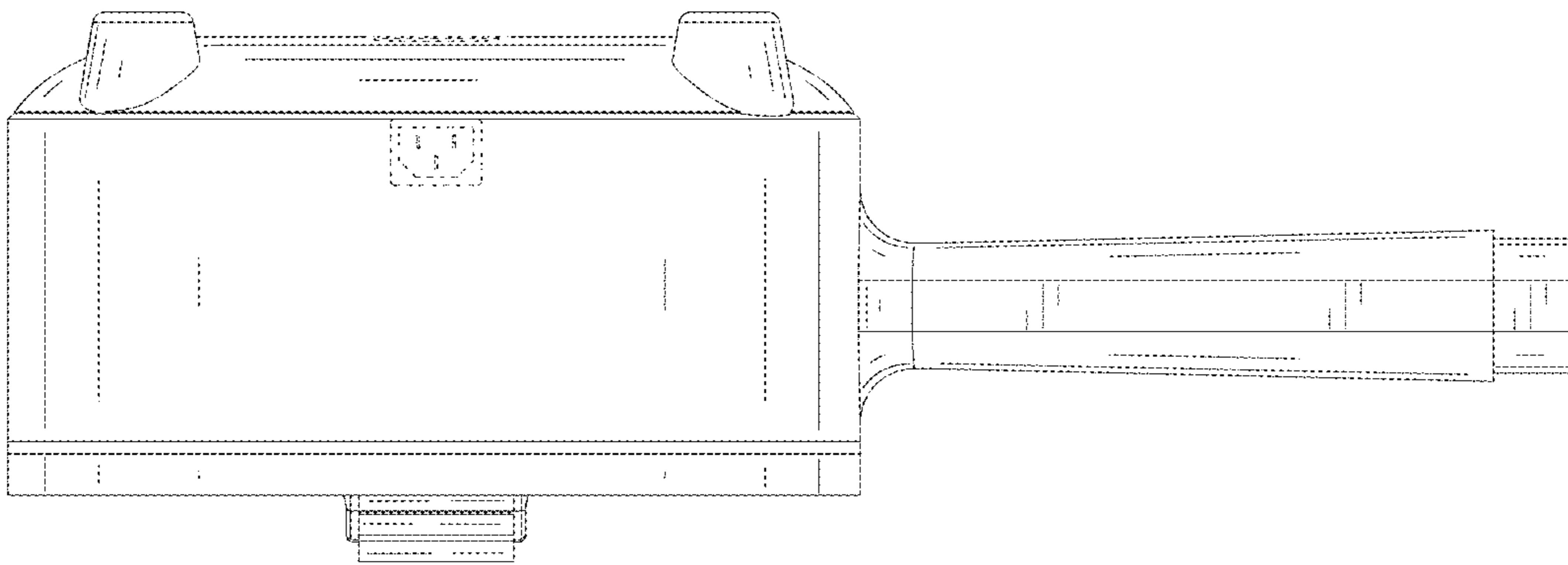


FIG. 7

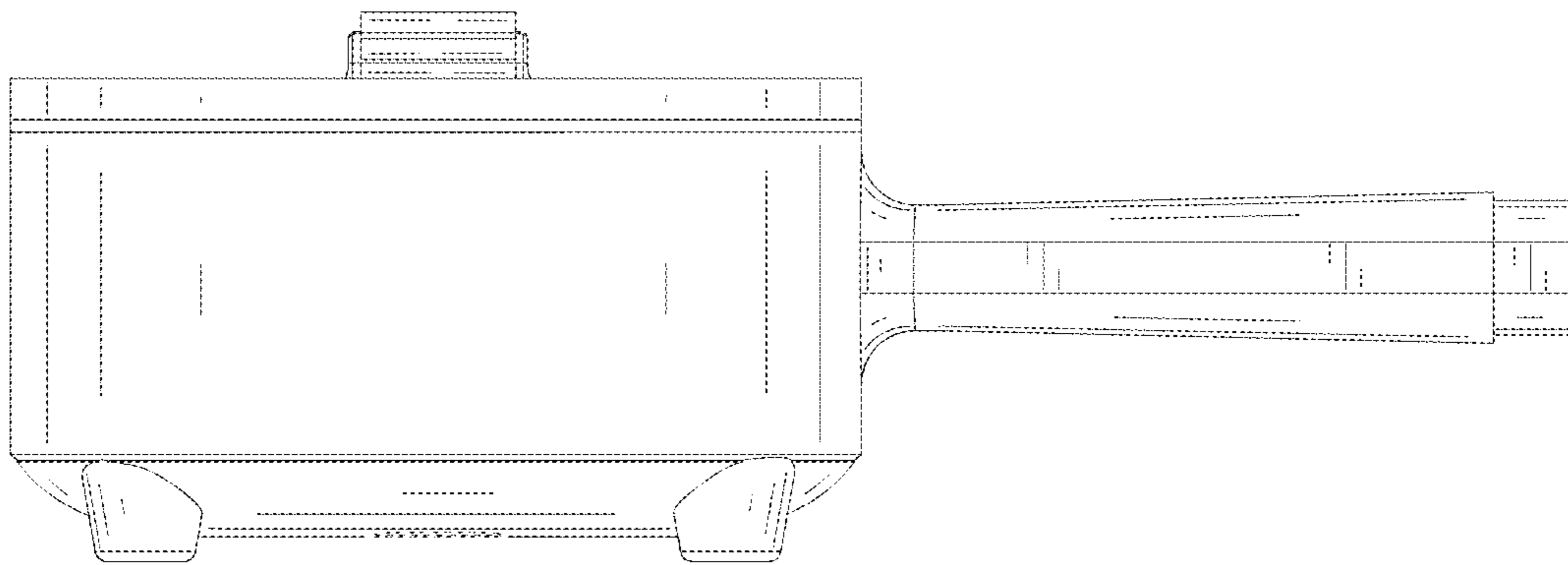


FIG.8