



US00D982960S

(12) **United States Design Patent**
Cao et al.

(10) **Patent No.:** **US D982,960 S**
(45) **Date of Patent:** **** Apr. 11, 2023**

(54) **ELECTRIC PRESSURE COOKER**
(71) Applicant: **MIDEA GROUP CO., LTD.**,
Guangdong (CN)
(72) Inventors: **Yuxin Cao**, Guangdong (CN); **Huiming Wu**, Guangdong (CN); **Jie Ding**,
Guangdong (CN)
(73) Assignee: **MIDEA GROUP CO., LTD.**,
Guangdong (CN)
(**) Term: **15 Years**

D452,412 S * 12/2001 Jeong D7/354
D475,570 S * 6/2003 Josancy D7/354
D498,115 S * 11/2004 Shin D7/354
D604,092 S * 11/2009 Kotani D7/354
D655,971 S * 3/2012 Reiner D7/354
D676,271 S * 2/2013 Reiner D7/354
D715,088 S * 10/2014 Kim D7/354
D818,759 S * 5/2018 Choi D7/354
D836,380 S * 12/2018 Choi D7/354
D862,973 S * 10/2019 Miyawaki D7/354
D887,197 S * 6/2020 Li D7/354
D955,802 S * 6/2022 Jiang A47J 27/0804
D7/358

(21) Appl. No.: **35/512,070**

(Continued)

(22) Filed: **Apr. 22, 2021**

OTHER PUBLICATIONS

(80) **Hague Agreement Data**

Int. Filing Date: **Apr. 22, 2021**
Int. Reg. No.: **DM/214841**
Int. Reg. Date: **Apr. 22, 2021**
Int. Reg. Pub. Date: **Jun. 25, 2021**

Cuckoo CRP-P1009S pressure cooker, Nov. 14, 2016, found on Aug. 24, 2022 at <https://www.overstock.com/Home-Garden/Cuckoo-CRP-P1009S-White-10-Cup-Electric-Pressure-Rice-Cooker-120v/10335212/product.html?> (Year: 2016).*

Primary Examiner — Karen S Acker

(30) **Foreign Application Priority Data**

Dec. 11, 2020 (CN) 202030761580.2

(51) **LOC (14) Cl.** **07-02**

(52) **U.S. Cl.**
USPC **D7/358**

(58) **Field of Classification Search**

USPC D7/300, 300.2, 302, 306, 311, 318, 319,
D7/323, 337, 350.1, 354, 358, 381, 407,
D7/416, 510, 511, 524, 530, 536, 554.2,
D7/562, 598, 605, 608, 622, 609, 650,
D7/709
CPC . A23G 23/00; A23L 5/10; A47G 23/00; A47J
43/28; B24B 9/12; Y10S 215/05; Y10S
215/06; A63H 33/3055
See application file for complete search history.

(56) **References Cited**

U.S. PATENT DOCUMENTS

D330,825 S * 11/1992 Sekita D7/354
D410,815 S * 6/1999 Oger D7/354

(57) **CLAIM**

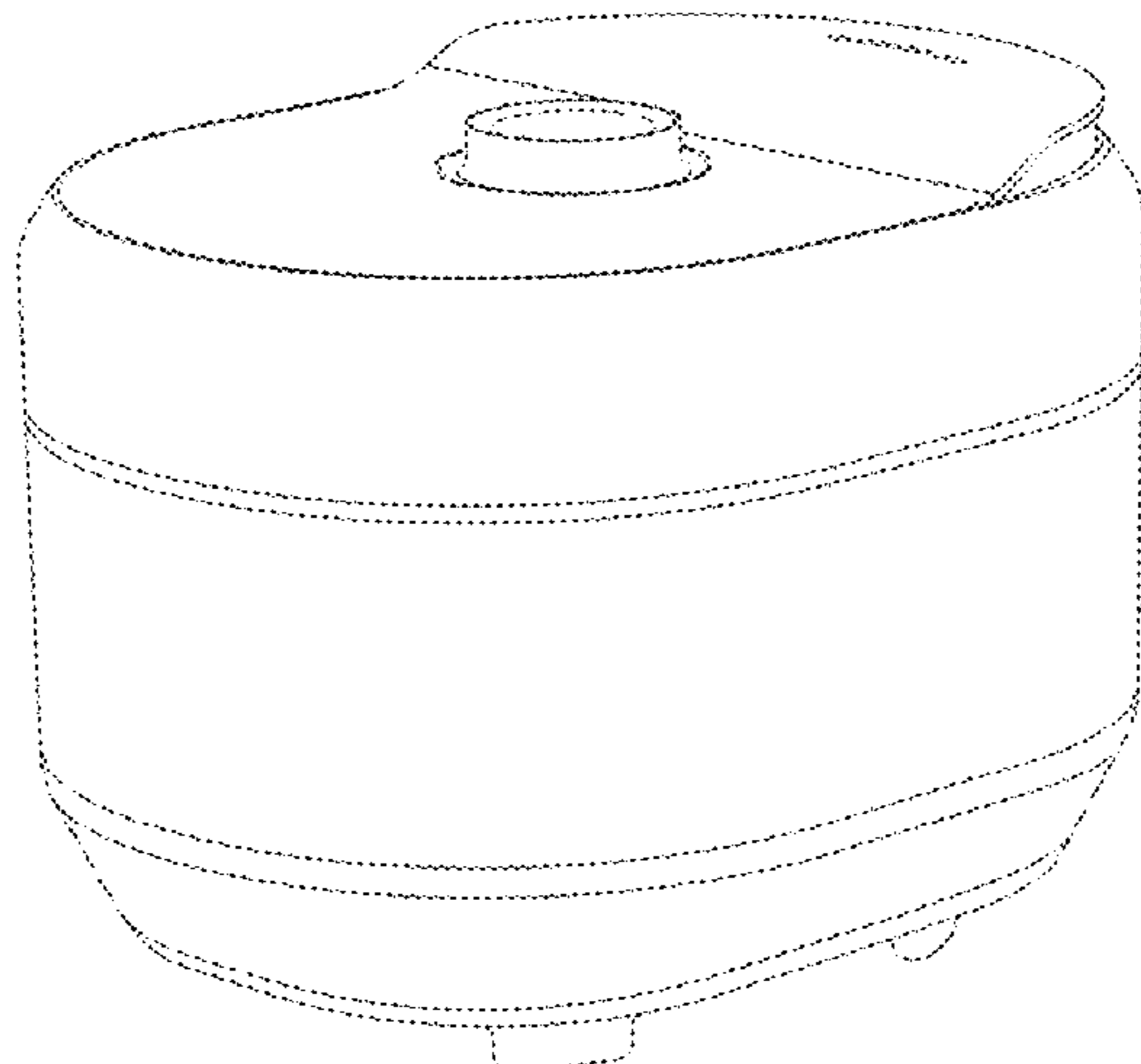
The ornamental design for an electric pressure cooker, as shown and described.

DESCRIPTION

- 1. Electric pressure cooker
- 1.1 Front
- 1.2 Back
- 1.3 Left
- 1.4 Right
- 1.5 Top
- 1.6 Bottom
- 1.7 Perspective

Broken lines showing in reproductions 1.1-1.7 depict portions of the electric pressure cooker that form no part of the claimed design.

1 Claim, 7 Drawing Sheets



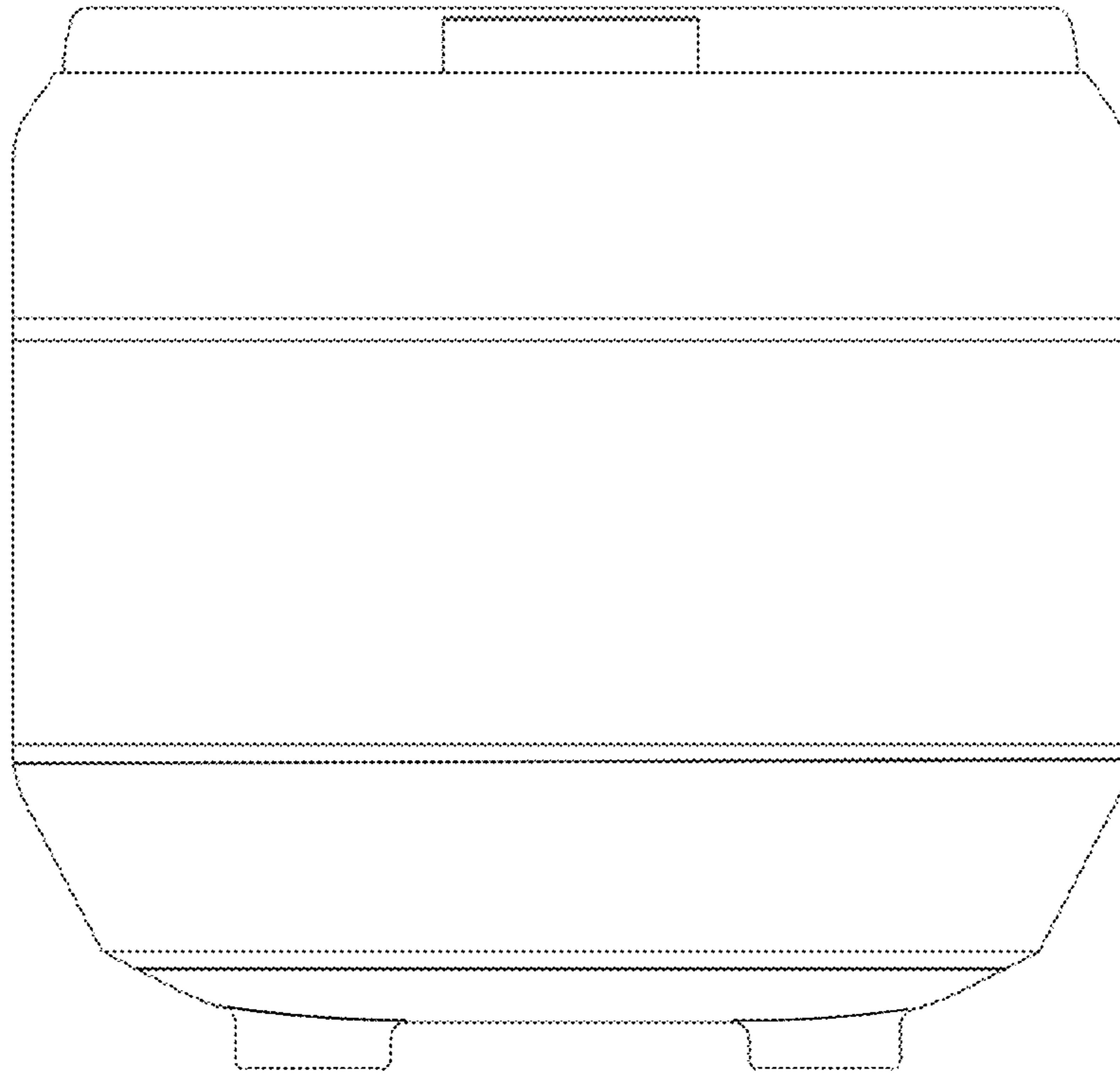
(56)

References Cited

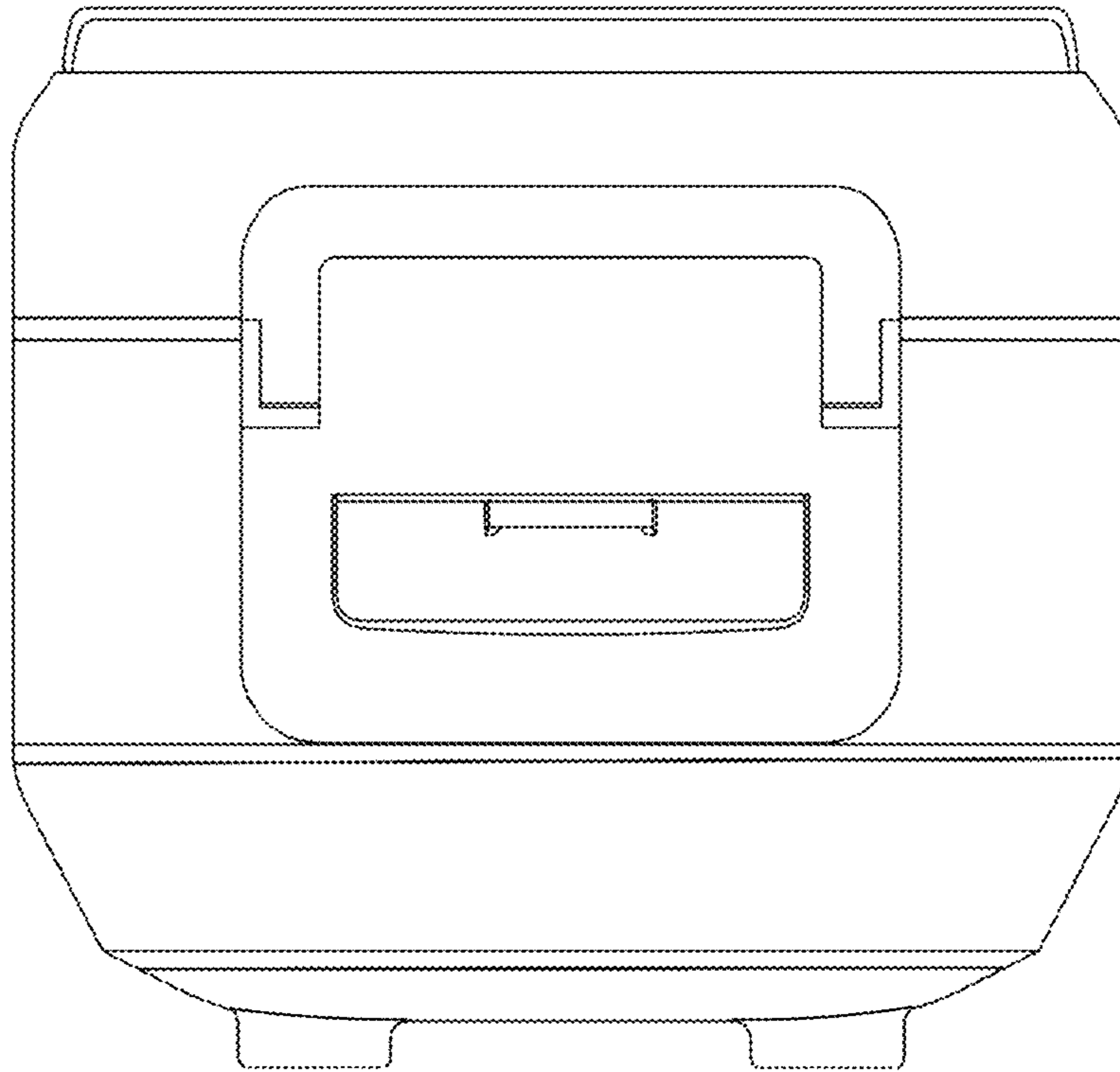
U.S. PATENT DOCUMENTS

D963,397 S * 9/2022 Tan D7/358
D974,821 S * 1/2023 Tan D7/358

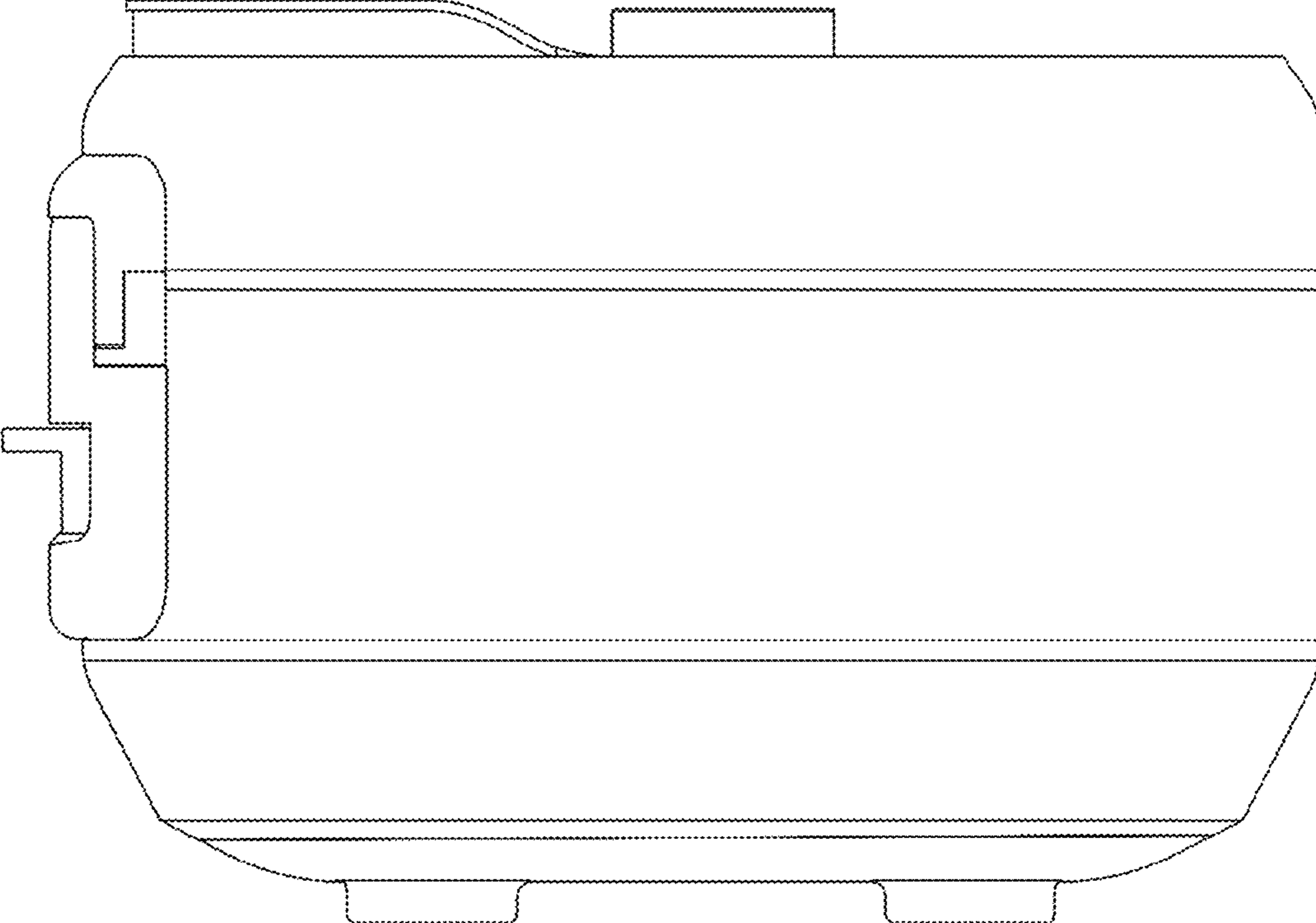
* cited by examiner



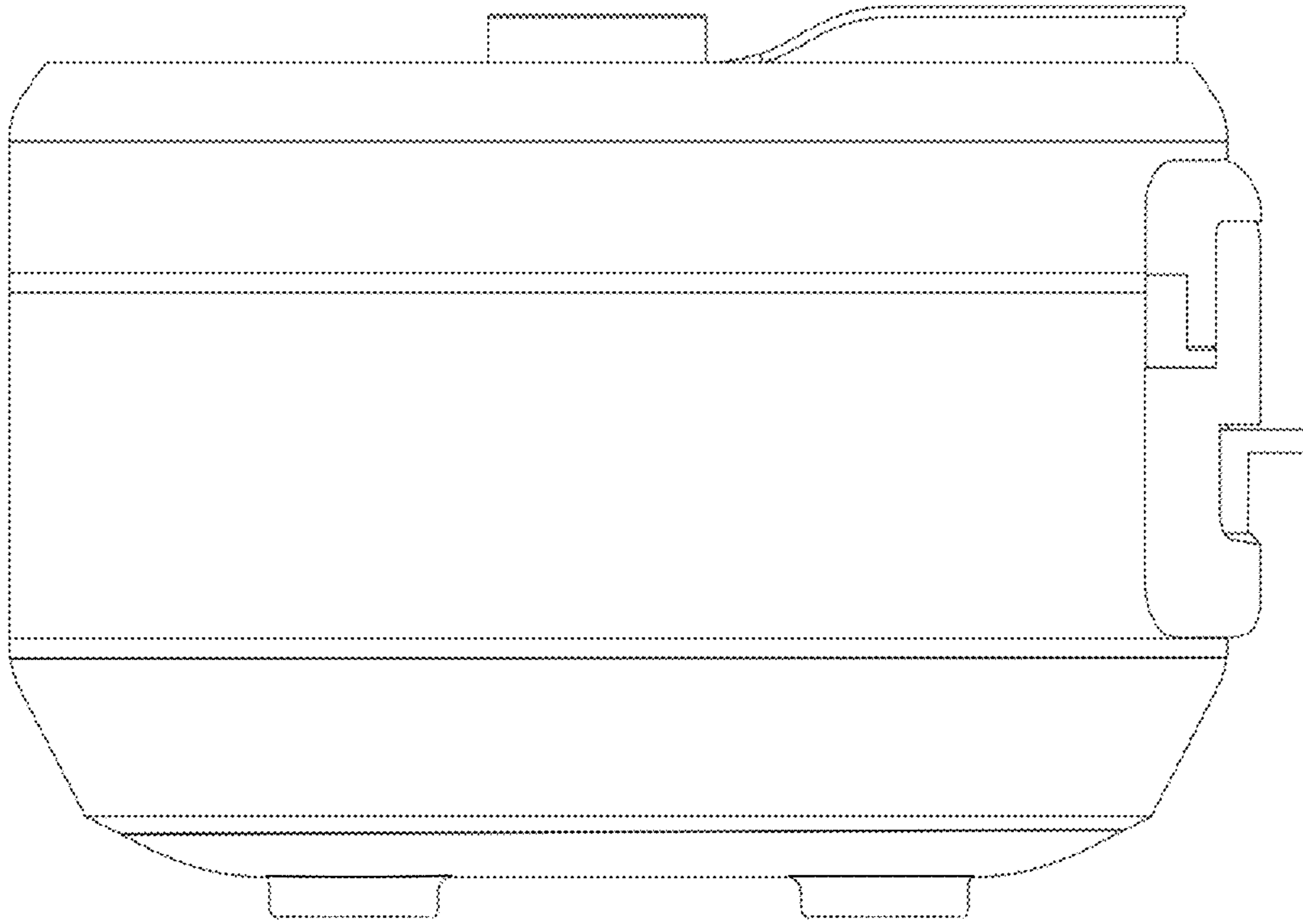
1.1



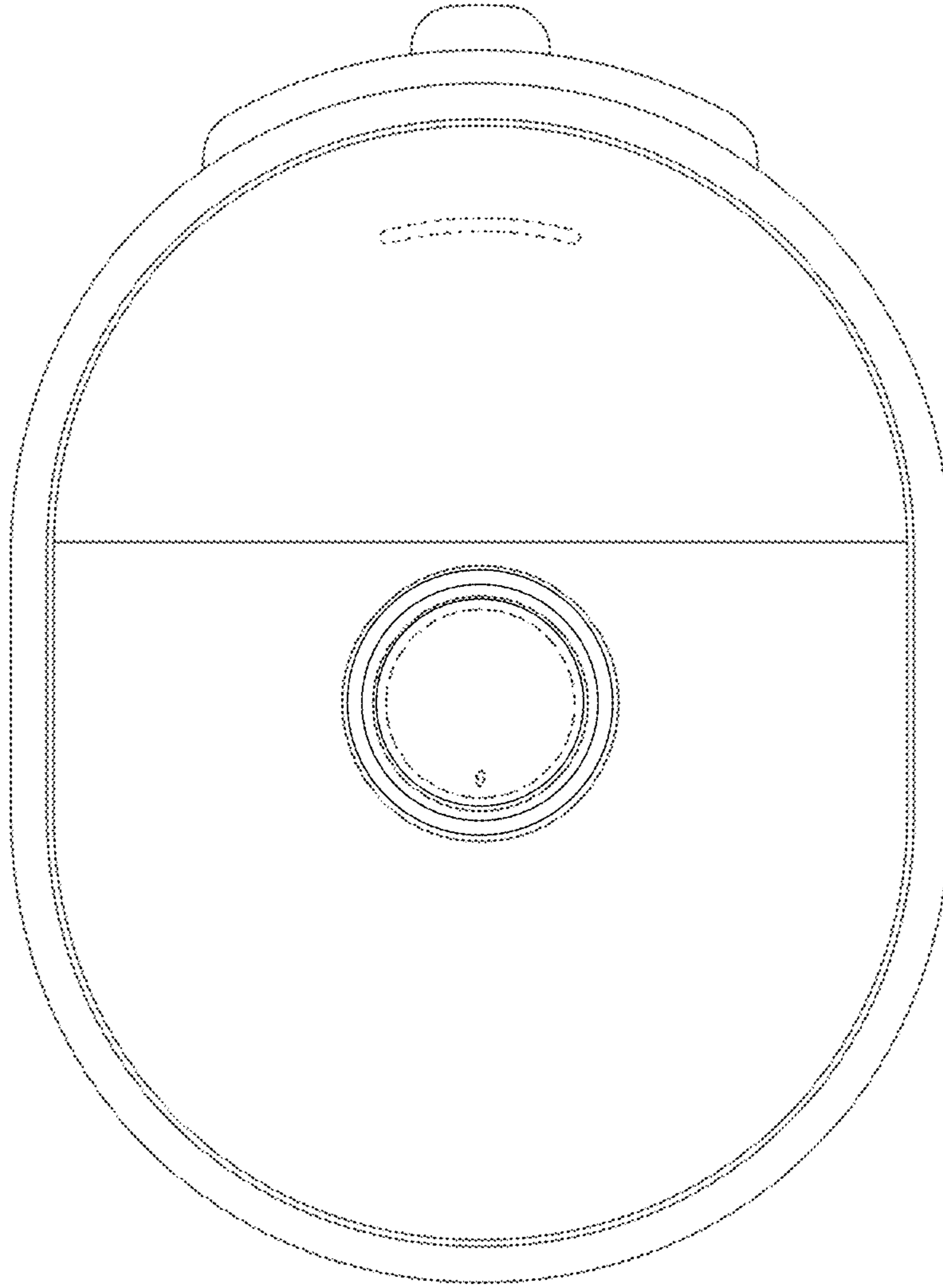
1.2



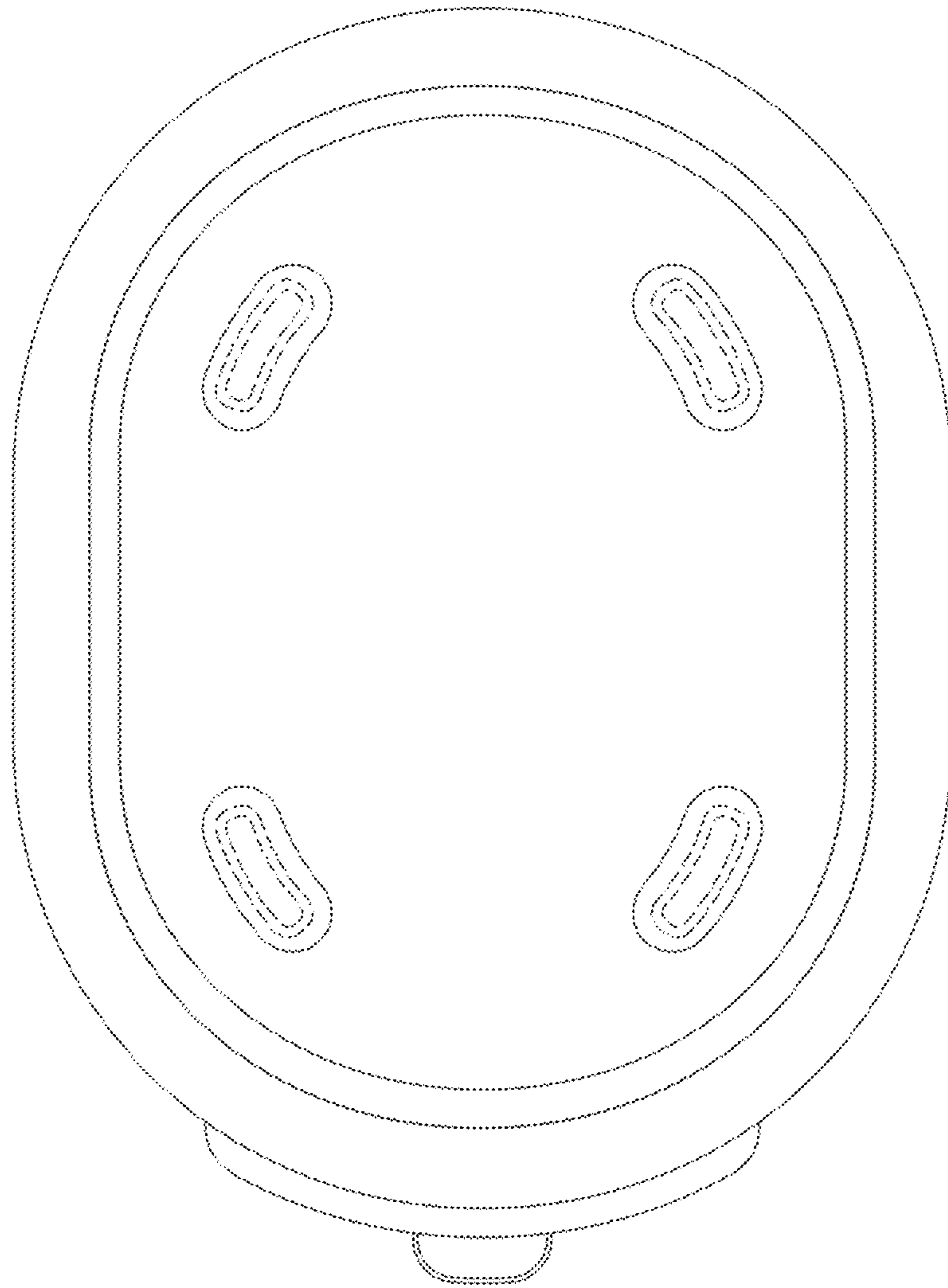
1.3



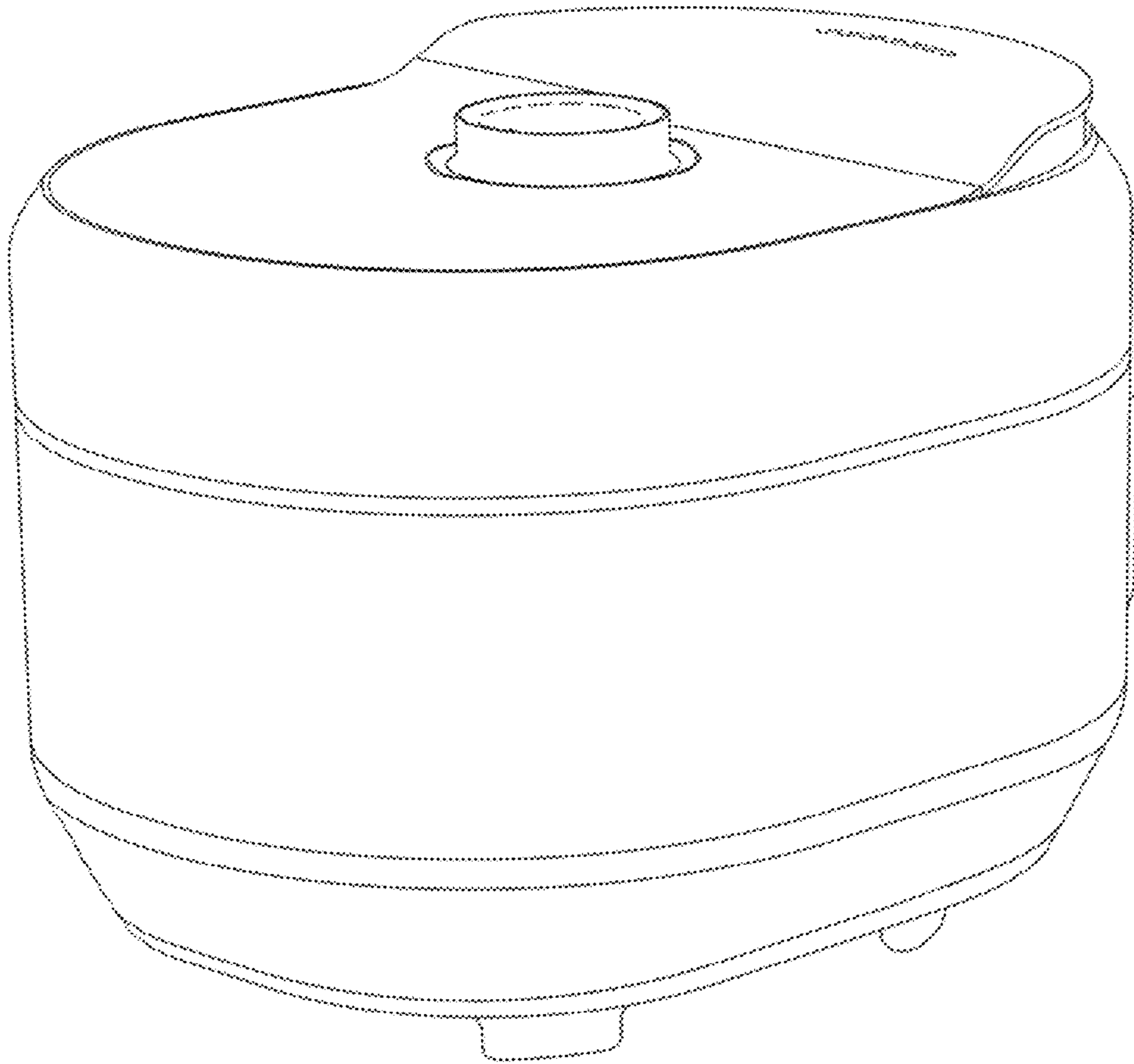
1.4



1.5



1.6



1.7