



US00D982959S

(12) **United States Design Patent**
Cao et al.

(10) **Patent No.:** **US D982,959 S**
(45) **Date of Patent:** **** Apr. 11, 2023**

(54) **ELECTRIC PRESSURE COOKER**
(71) Applicant: **GD MIDEA ENVIRONMENT APPLIANCES MFG CO., LTD.,**
Zhongshan (CN)
(72) Inventors: **Yuxin Cao, Zhongshan (CN); Huiming Wu, Zhongshan (CN); Jie Ding, Zhongshan (CN)**

D715,088 S * 10/2014 Kim D7/354
D803,614 S * 11/2017 Choi D7/354
D818,759 S * 5/2018 Choi D7/354
D827,360 S * 9/2018 Chung D7/354
D836,380 S * 12/2018 Choi D7/354
D836,968 S * 1/2019 Chung A47J 27/00
D7/354
D887,197 S * 6/2020 Li D7/354

(**) Term: **15 Years**
(21) Appl. No.: **29/783,184**
(22) Filed: **May 11, 2021**

(30) **Foreign Application Priority Data**
Dec. 11, 2020 (CN) 202030764597.3
(51) **LOC (14) Cl.** **07-02**
(52) **U.S. Cl.**
USPC **D7/358; D7/354**
(58) **Field of Classification Search**
USPC D7/323, 354-361, 391, 393, 406
CPC A47J 27/00; A47J 27/004; A47J 27/08;
A47J 27/0802; A47J 27/0804; A47J
27/0811; A47J 27/0813; A47J 27/0815;
A47J 27/0817; A47J 27/084; A47J 27/09;
A47J 27/092; A47J 36/025; A47J 36/06;
A47J 36/38; A47J 37/12; A47J 37/1204;
A47J 37/1209; A47J 45/07; A47J 45/071;
A47J 45/074; A47J 45/08; B01D
2201/345; B01J 3/03; B01J 3/04; F01P
2011/0247; F01P 2011/0252; H05B 6/00;
H05B 6/02; H05B 6/06
See application file for complete search history.

(56) **References Cited**
U.S. PATENT DOCUMENTS
D498,115 S * 11/2004 Shin D7/354
D704,500 S * 5/2014 Kim D7/354

OTHER PUBLICATIONS

Cuckoo CRP LHTR1009F 10 Cup Twin Pressure Induction Heating Rice Cooker. Date First Available on Amazon.com Jul. 31, 2020. <https://www.amazon.com/dp/B08F25FVY6/ref> (Year: 2020).*

* cited by examiner

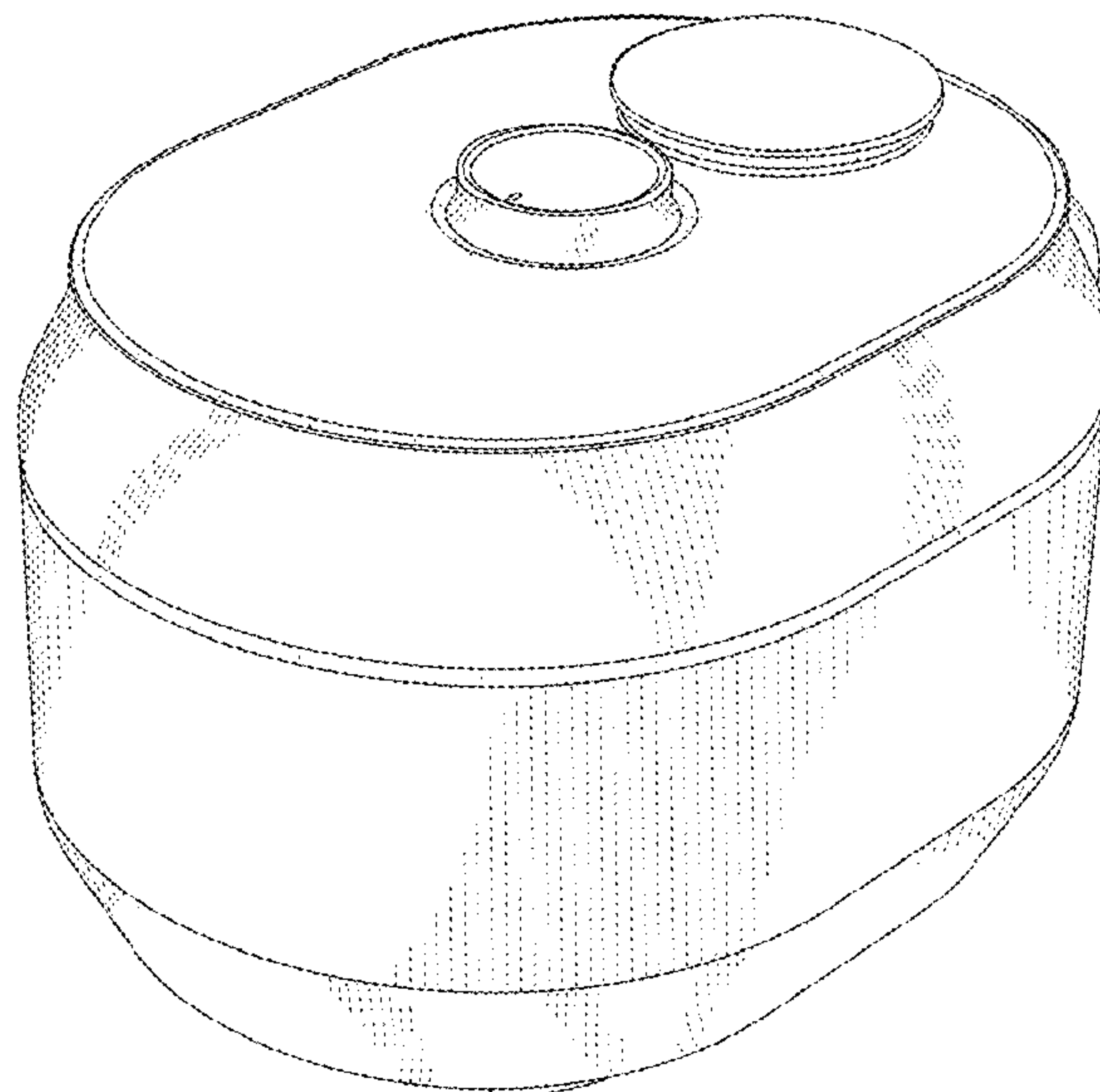
Primary Examiner — Ricky Pham
(74) *Attorney, Agent, or Firm* — Kilpatrick Townsend & Stockton, LLP

(57) **CLAIM**
The ornamental design for an electric pressure cooker, as shown and described.

DESCRIPTION

FIG. 1 is a front elevation view of an electric pressure cooker, showing our new design;
FIG. 2 is a back elevation view thereof;
FIG. 3 is a left side view thereof;
FIG. 4 is a right side view thereof;
FIG. 5 is a top plan view thereof;
FIG. 6 is a bottom plan view thereof; and,
FIG. 7 is a perspective view thereof.
The broken lines shown in the figures depict portions of electric pressure cooker that form no part of the claimed design. The shade lines in the figures show contour and not surface ornamentation. The shade lines form no part of the claimed design.

1 Claim, 7 Drawing Sheets



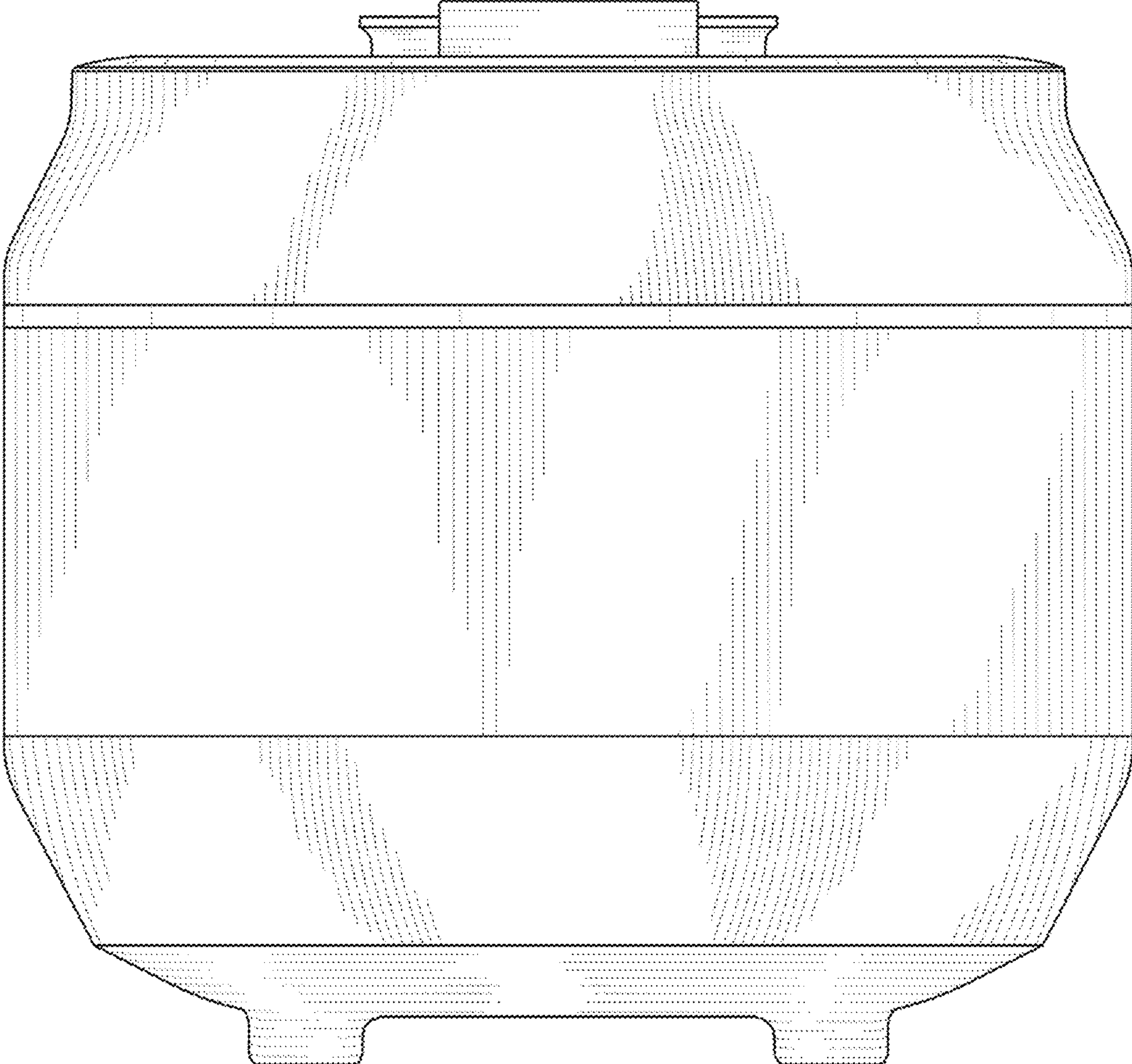


FIG. 1

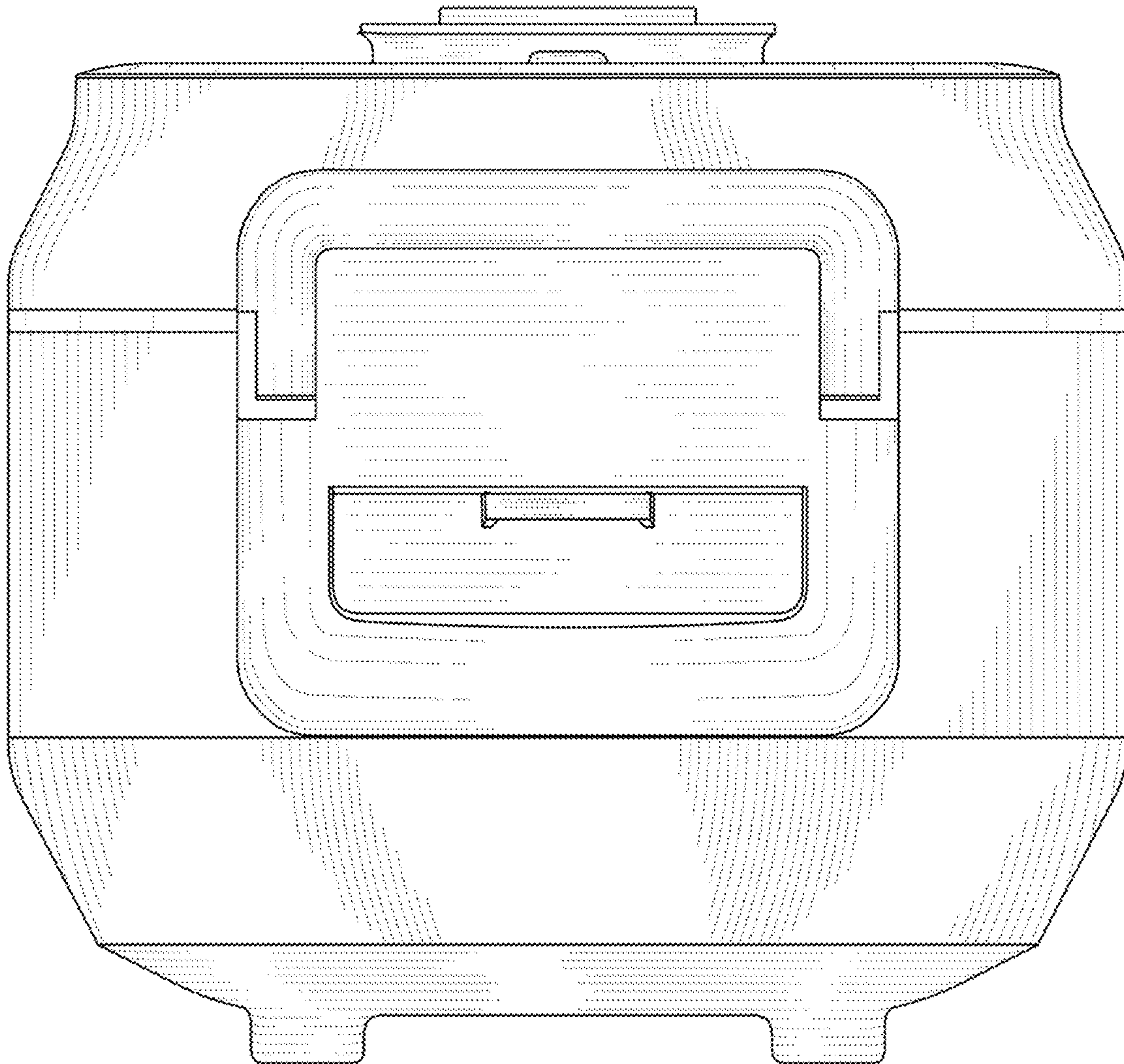


FIG. 2

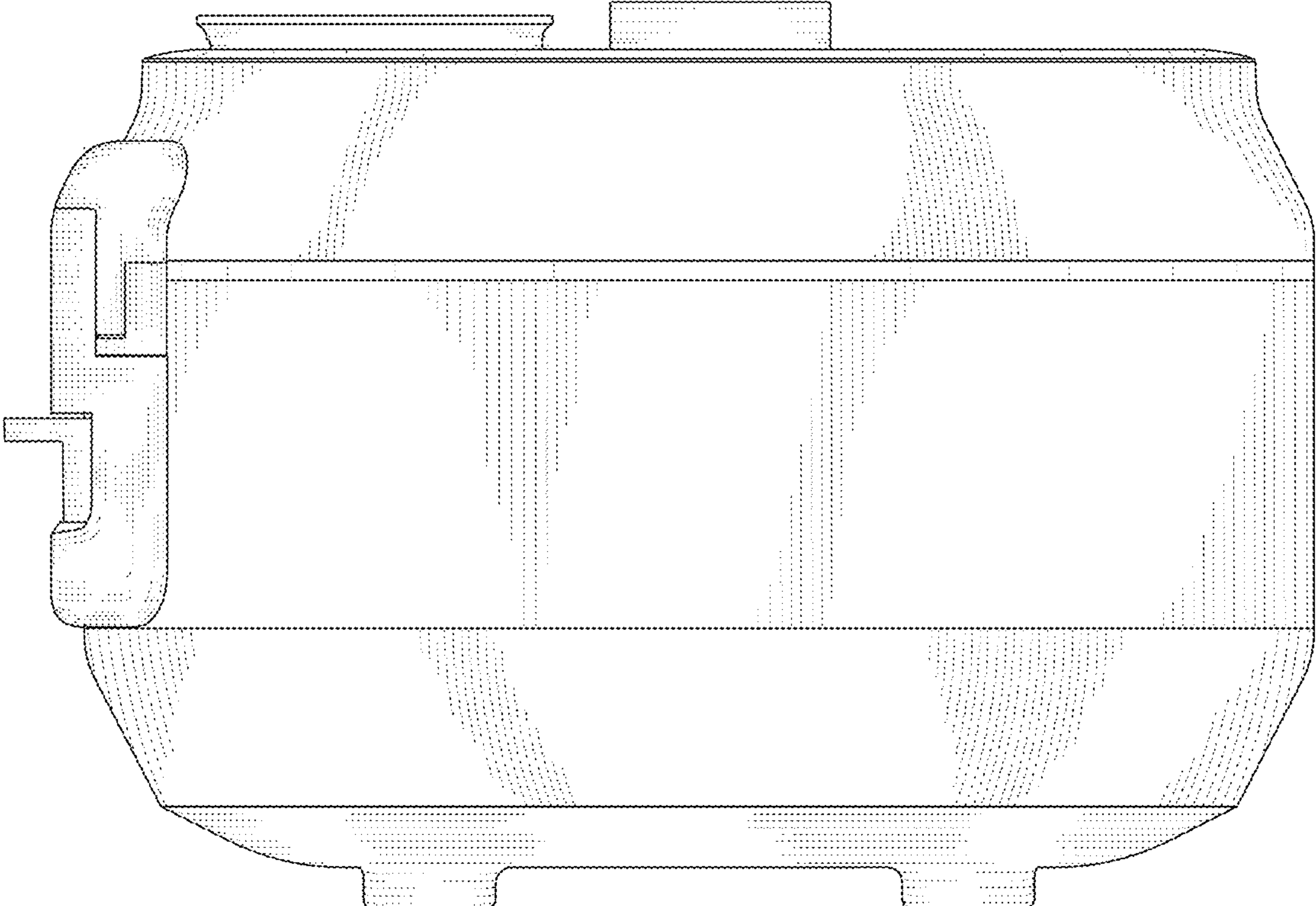


FIG. 3

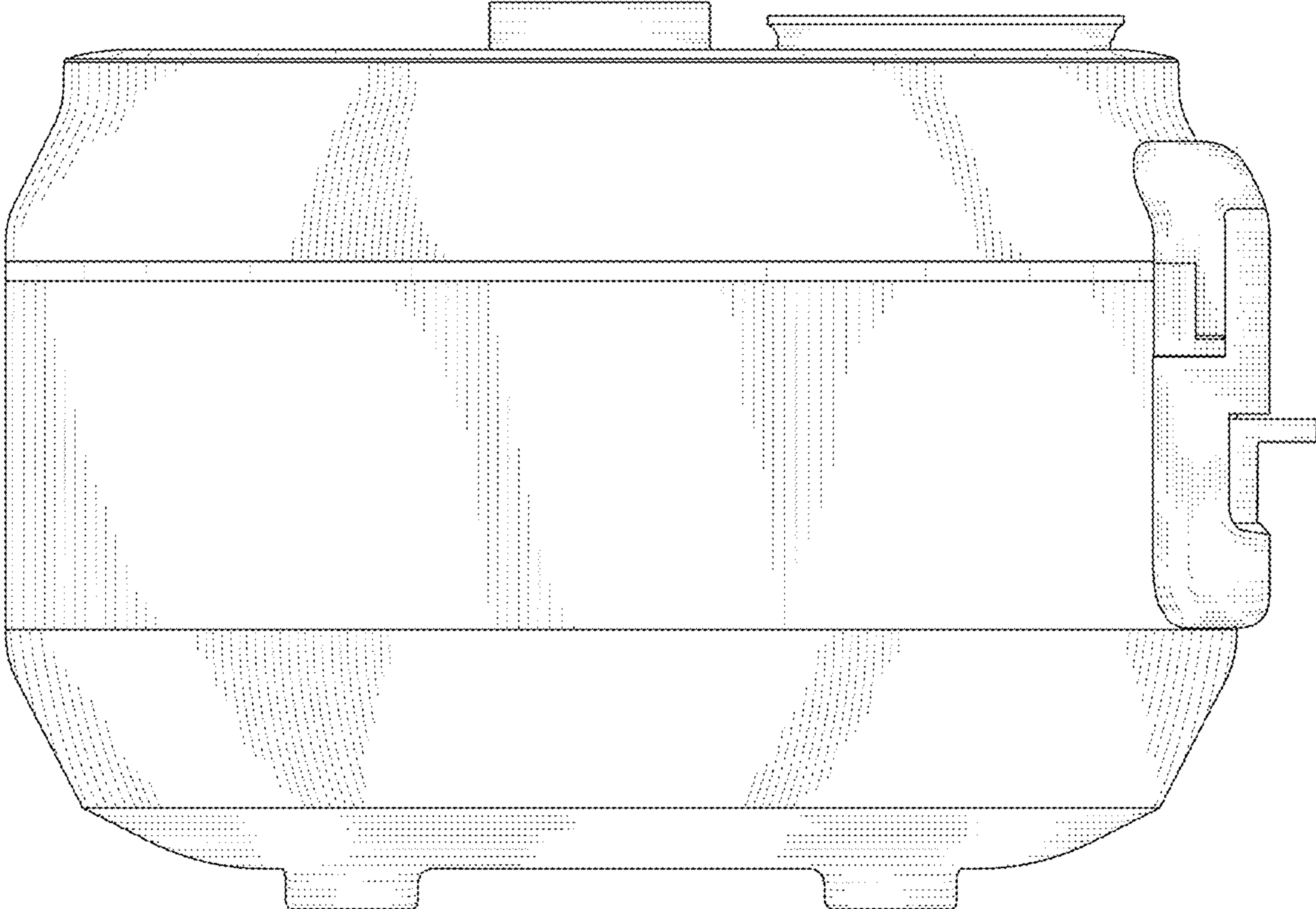


FIG. 4

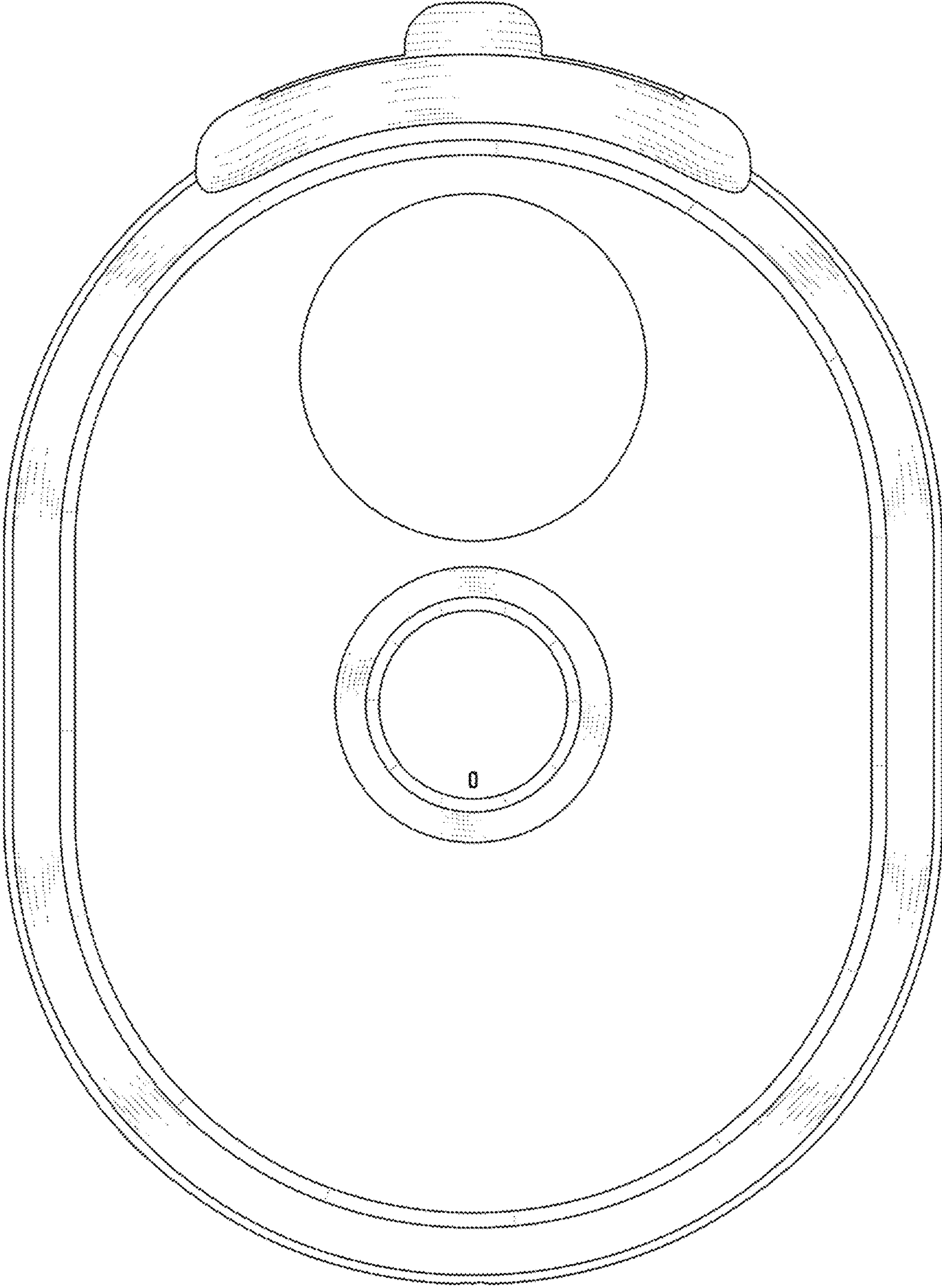


FIG. 5

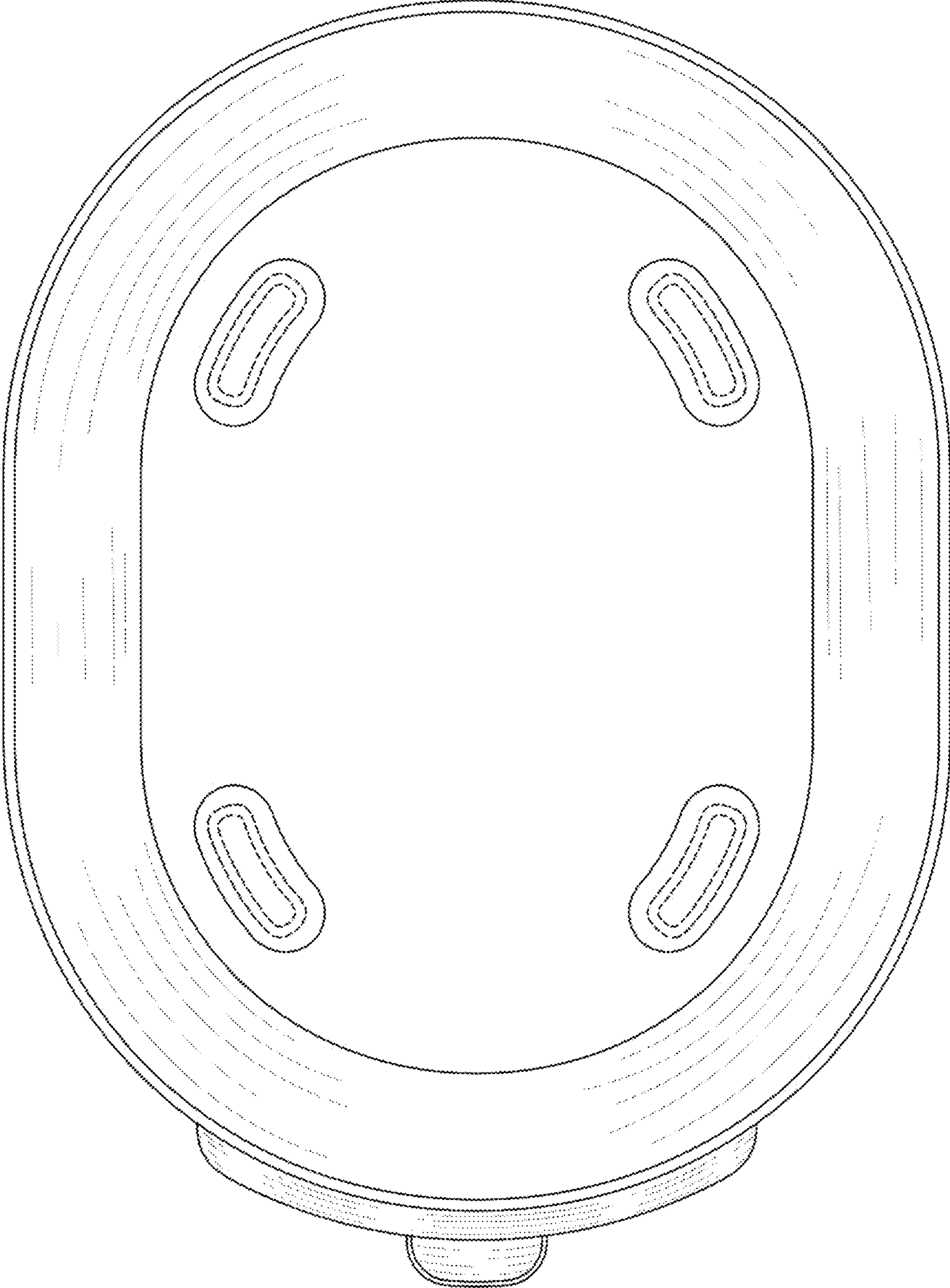


FIG. 6

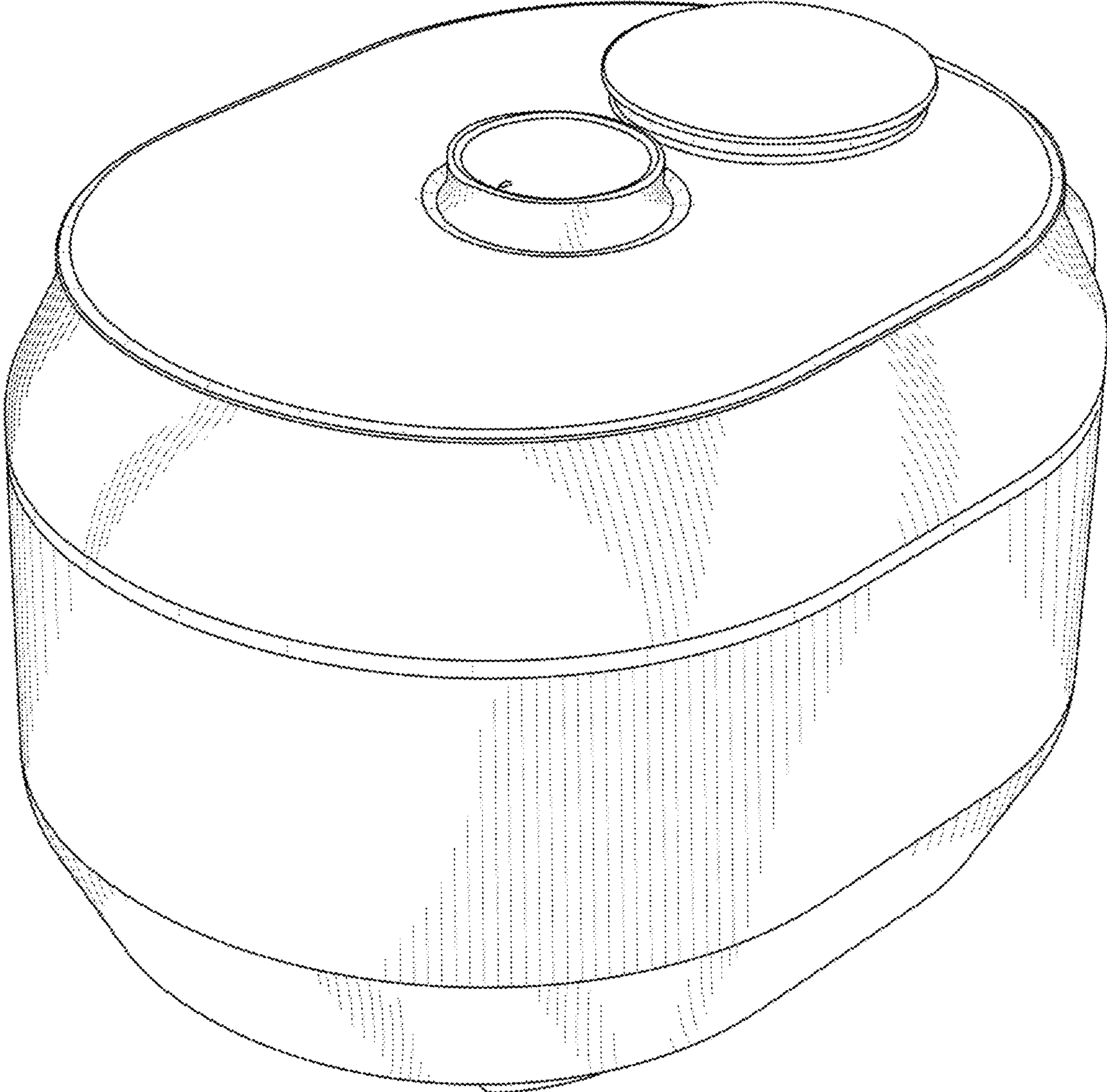


FIG. 7