



US00D982958S

(12) **United States Design Patent**
Qin

(10) **Patent No.:** **US D982,958 S**

(45) **Date of Patent:** **** Apr. 11, 2023**

(54) **AIR FRYER**

(71) Applicant: **Shenzhen Chenbei Technology Co., Ltd.**, Shenzhen (CN)

(72) Inventor: **Shipin Qin**, Shenzhen (CN)

(**) Term: **15 Years**

(21) Appl. No.: **29/796,743**

(22) Filed: **Jun. 25, 2021**

(30) **Foreign Application Priority Data**

Dec. 31, 2020 (CN) 202030823776.X

(51) **LOC (14) Cl.** **07-02**

(52) **U.S. Cl.**
USPC **D7/354**

(58) **Field of Classification Search**
USPC D7/323, 350.3, 354-361
CPC A23L 1/01; A23L 1/0107; A23L 1/0114;
A47J 27/00; A47J 27/08; A47J 27/09;
A47J 27/092; A47J 36/025; A47J 36/06;
A47J 36/08; A47J 36/10; A47J 36/12;
A47J 36/18; A47J 36/20; A47J 36/22;
A47J 36/165; A47J 37/00; A47J 37/0641;
A47J 37/12; A47J 37/129; A47J 37/1204;
A47J 37/1209; A47J 37/1214; A47J
37/1219; A47J 37/1266; A47J 37/1285;
A47J 37/1295; G07F 17/0064; G07F
17/0078; G07F 17/0085; H05B 6/02;
H05B 6/06; H05B 6/12; F24C 7/067
See application file for complete search history.

(56) **References Cited**

U.S. PATENT DOCUMENTS

D836,381 S * 12/2018 Moon D7/354
D871,827 S * 1/2020 Moon D7/354

D875,462 S * 2/2020 Chen D7/354
D875,463 S * 2/2020 Chen D7/354
D878,850 S * 3/2020 Hu D7/354
D879,540 S * 3/2020 Chen D7/354
D880,220 S * 4/2020 Chen D7/354
11,045,046 B1 * 6/2021 Man A47J 37/0641
D932,232 S * 10/2021 Yang D7/354
D939,886 S * 1/2022 Yang D7/354
D946,962 S * 3/2022 Qin D7/354
D947,592 S * 4/2022 Chen D7/354
D957,179 S * 7/2022 Li D7/350.3

OTHER PUBLICATIONS

COSORI Air Fryer 5 QT. Date First Available on Amazon.com Aug. 22, 2021. [https://www.amazon.com/dp/B0936FGLQS/ref\(Year: 2021\).](https://www.amazon.com/dp/B0936FGLQS/ref(Year: 2021).)*

* cited by examiner

Primary Examiner — Ricky Pham

(74) *Attorney, Agent, or Firm* — Tsz Lung Yeung

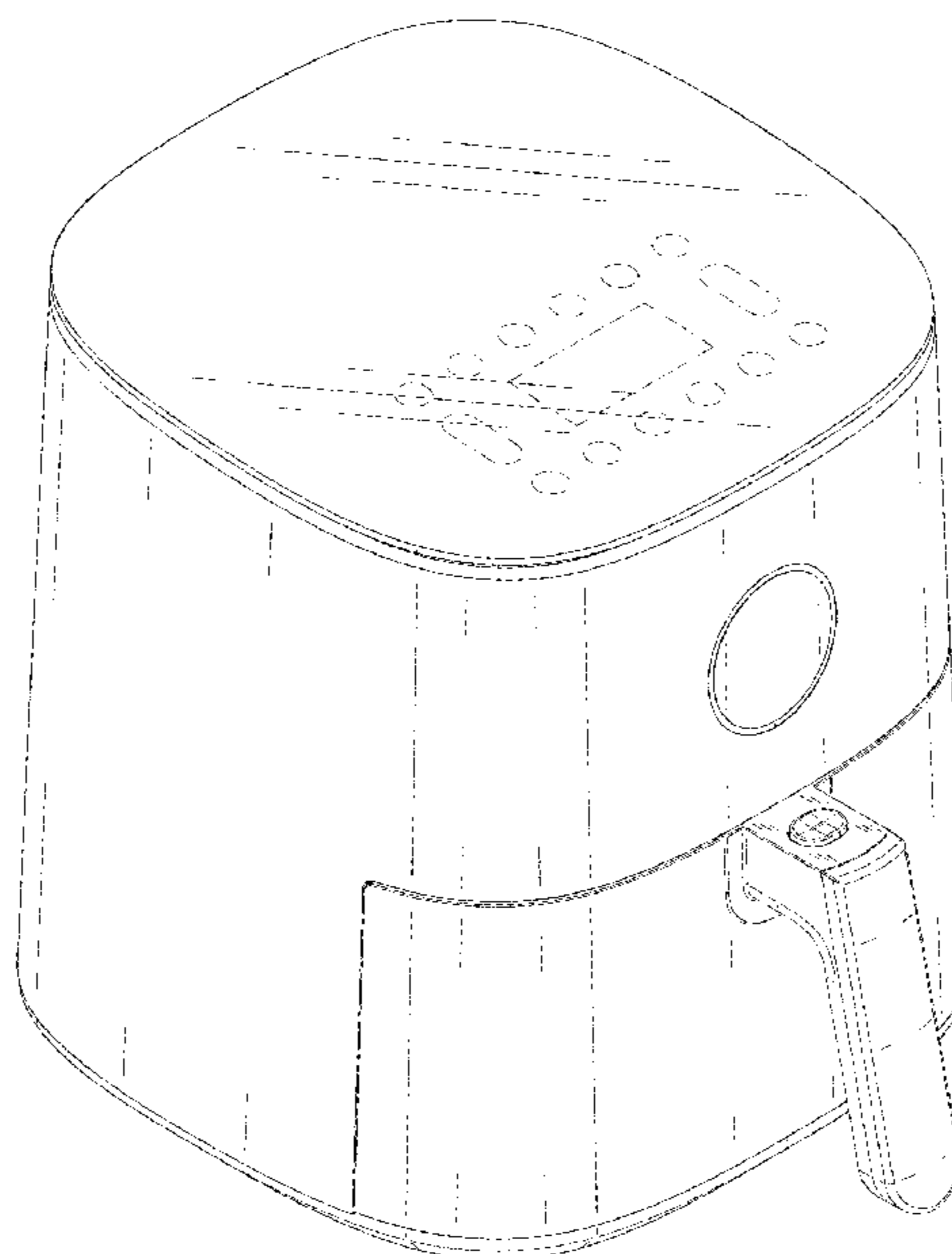
(57) **CLAIM**

The ornamental design for a air fryer, as shown and described.

DESCRIPTION

FIG. 1 is a perspective view of a air fryer showing my new design;
FIG. 2 is a front view thereof;
FIG. 3 is a rear view thereof;
FIG. 4 is a right side view thereof;
FIG. 5 is a left side view thereof;
FIG. 6 is a top view thereof; and,
FIG. 7 is a bottom view thereof.
The broken lines depict portions of the air fryer that form no part of the claimed design.

1 Claim, 7 Drawing Sheets



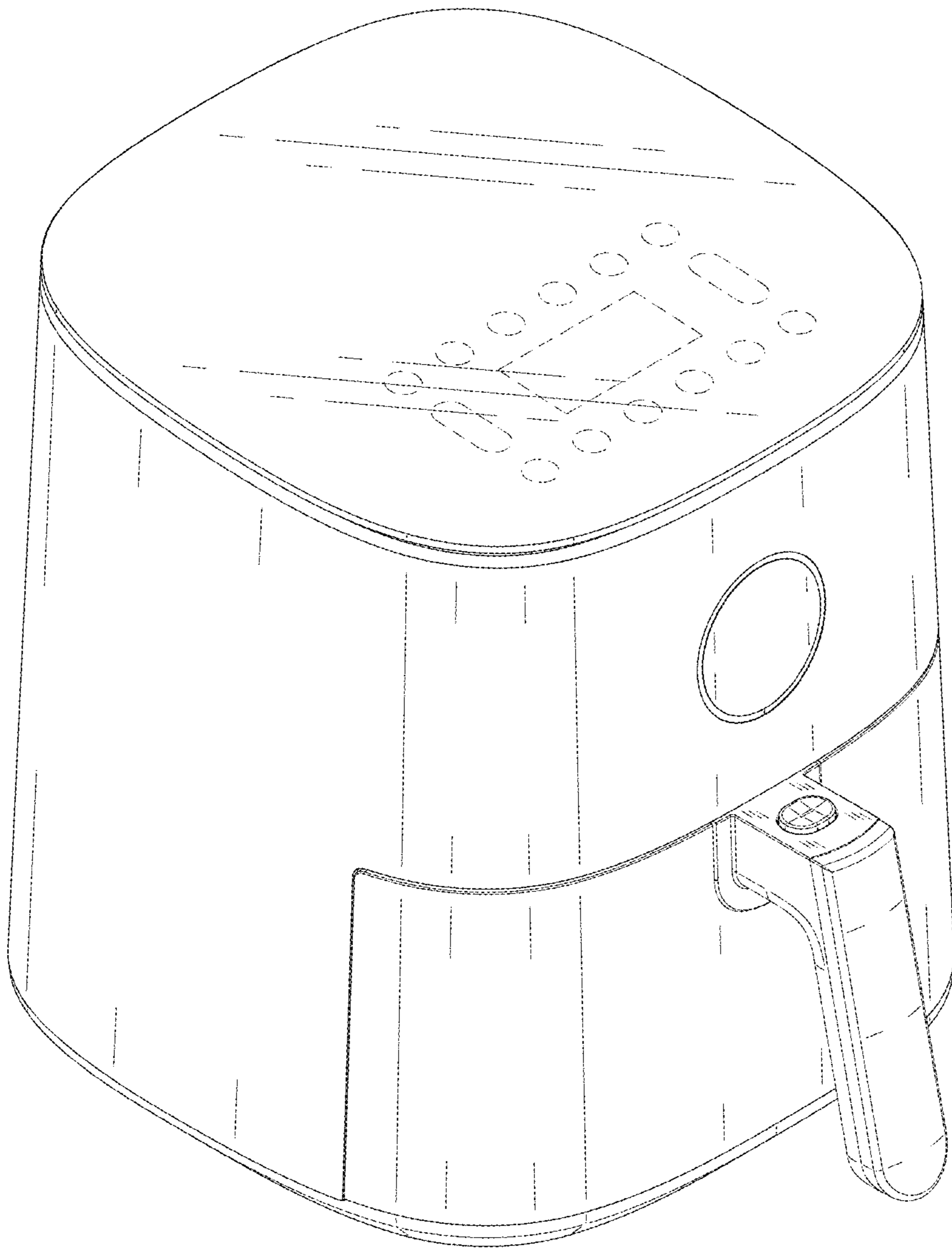


FIG. 1

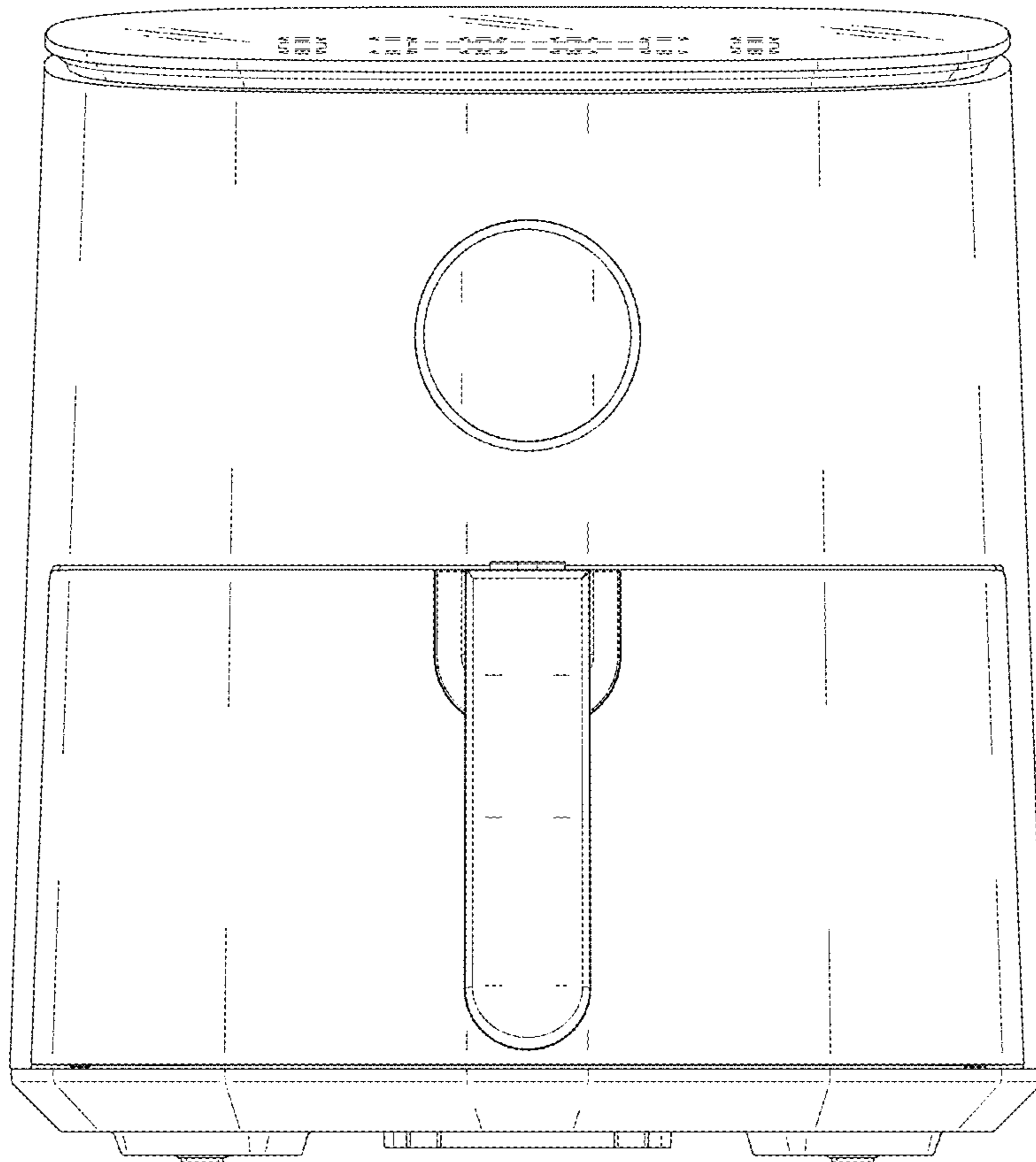


FIG. 2

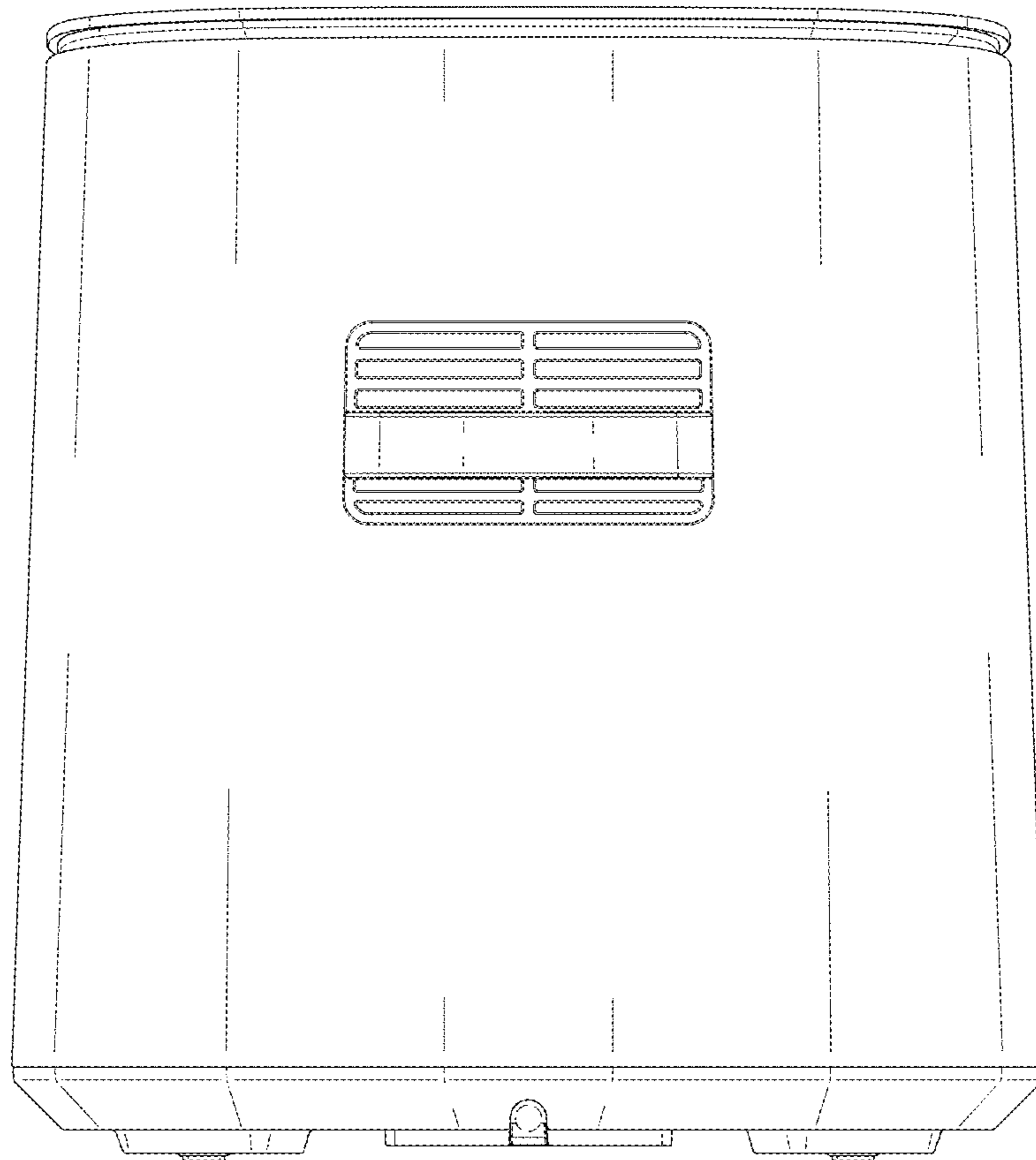


FIG. 3

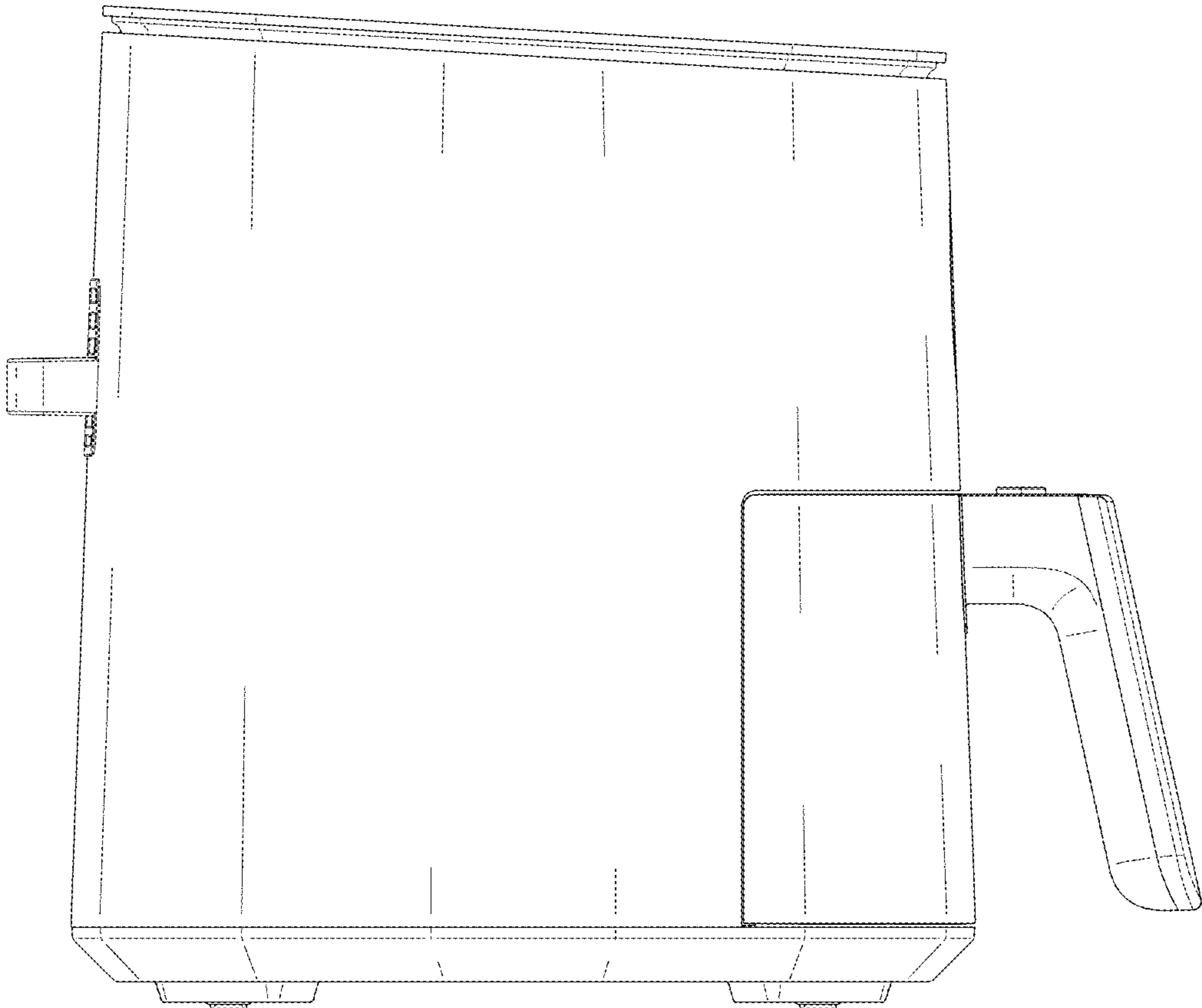


FIG. 4

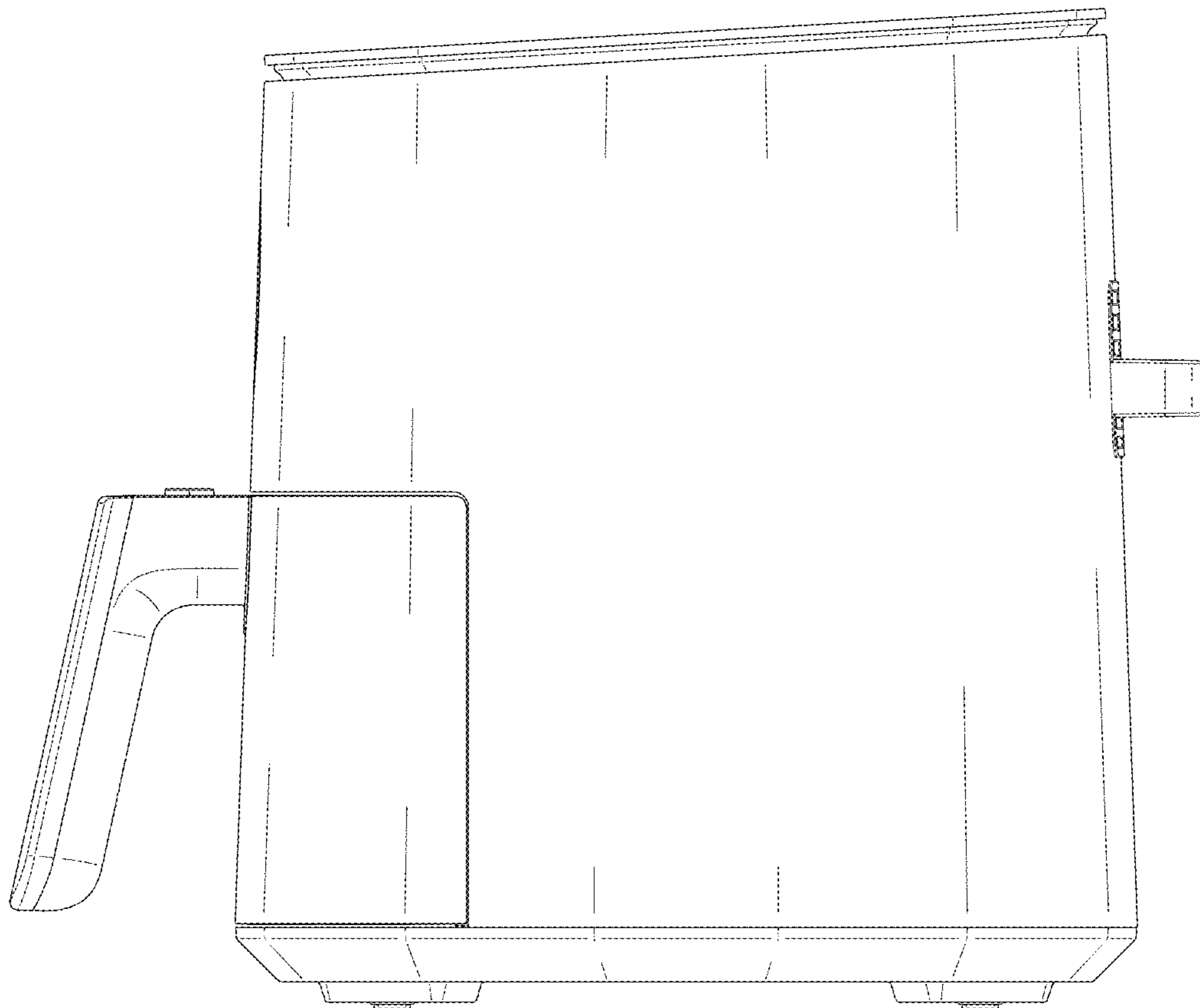


FIG. 5

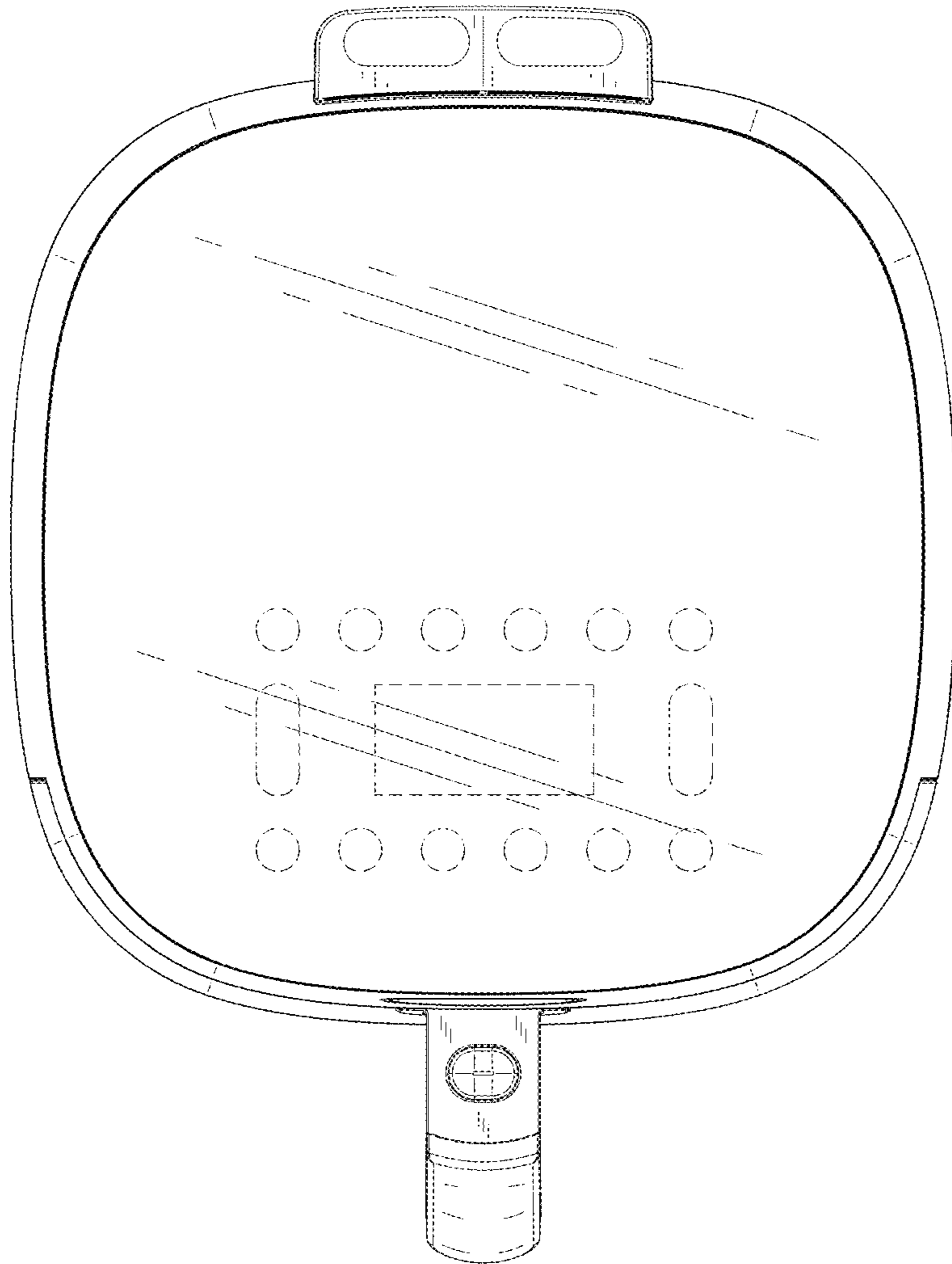


FIG. 6

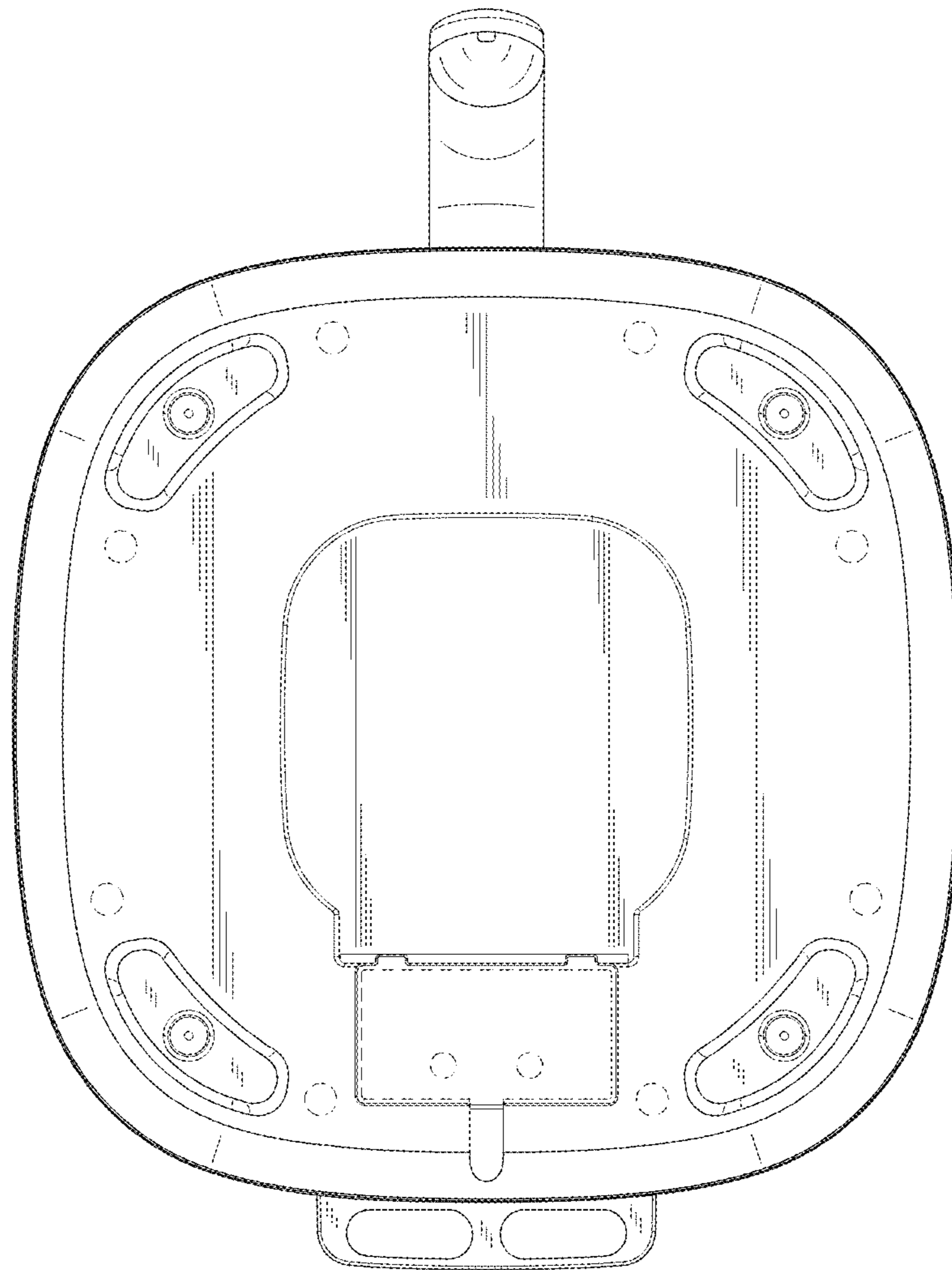


FIG. 7